

# MC13159

## Advance Information Wideband FM IF Subsystem

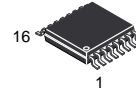
The MC13159 is a wideband FM IF subsystem that is designed for high performance data and digital applications. Excellent high frequency performance is achieved, with low cost, through the use of Motorola's RF bipolar process. The MC13159 includes a mixer, local oscillator buffer amplifier, IF amplifier, limiter amplifier and RSSI functions. The mixer is useful for a 240 MHz input used in a single-ended/balanced differential configuration. The IF and limiter amplifier are separated so that an external filter can be used in series, or connected directly with an external capacitor. The RSSI output is derived by summing the output of both the IF and Limiter sections. An enable control is provided to power down the IC for power management in battery powered applications.

Suitable applications include PHS, DECT, PDC, and PCS telephones, wideband wireless data links, and other battery powered radio systems.

- Designed for PHS Applications
- 2.7 to 5.5 V Operating Voltage
- Low Drain Current: 5.5 mA (Typ)
- Wide Input Dynamic Range of Mixer (Maximum -16 dBm Input)
- Enable Function for Power Down Mode
- Over 80 dB of RSSI Dynamic Range (AC Coupling between IF Amplifier and Limiter Amplifier)
- Few External Components Required

### WIDEBAND FM IF SUBSYSTEM FOR PHS AND DIGITAL APPLICATIONS

#### SEMICONDUCTOR TECHNICAL DATA

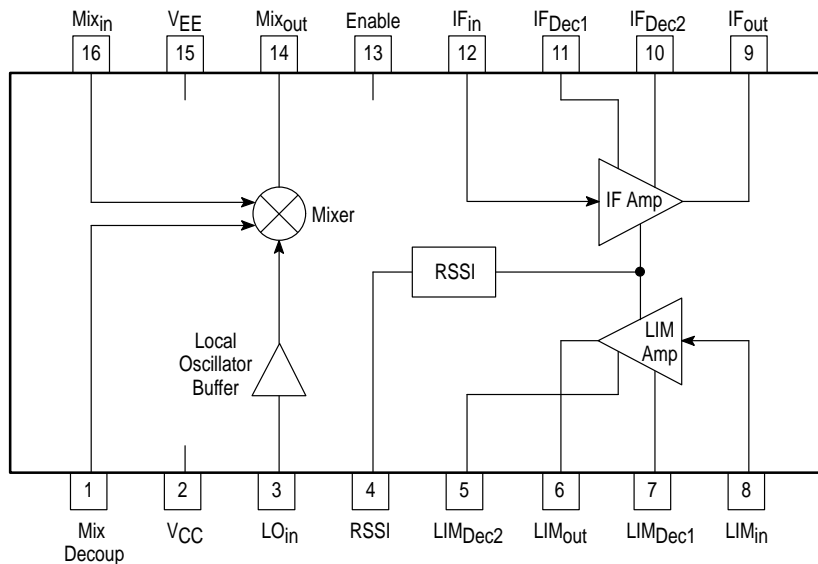


**DTB SUFFIX**  
PLASTIC PACKAGE  
CASE 948F  
(TSSOP-16)

#### ORDERING INFORMATION

Device	Operating Temperature Range	Package
MC13159DTB	T <sub>A</sub> = -30° to +85°C	TSSOP-16

#### Simplified Block Diagram



This device contains 164 active transistors.

# MC13159

## MAXIMUM RATINGS

Rating	Symbol	Value	Unit
Power Supply Voltage	$V_{S(max)}$	6.0	Vdc
Junction Temperature	$T_{Jmax}$	150	°C
Storage Temperature Range	$T_{stg}$	-65 to +150	°C

NOTE: ESD data available upon request.

## RECOMMENDED OPERATING CONDITIONS

Rating	Symbol	Value	Unit
Power Supply Voltage	$V_S$	2.7 to 5.5	Vdc
Input Frequency	$f_{in}$	10 to 600	MHz
Ambient Temperature Range	$T_A$	-30 to +85	°C
Input Signal Level at Local Input	$V_{in}$	-10	dBm

## DC ELECTRICAL CHARACTERISTICS ( $T_A = 25^\circ\text{C}$ , $V_S = 3.0\text{ V}$ ; No Input Signal)

Characteristics	Conditions	Symbol	Min	Typ	Max	Unit
Total Drain Current 1	Active Mode	$I_{CC1}$	4.5	5.5	7.5	mA
Total Drain Current 2	Disable Mode	$I_{CC2}$	-	0.1	10	$\mu\text{A}$

## AC ELECTRICAL CHARACTERISTICS

Characteristics	Conditions	Symbol	Min	Typ	Max	Unit
-----------------	------------	--------	-----	-----	-----	------

### MIXER ( $T_A = 25^\circ\text{C}$ ; $V_S = 3.0$ ; $f_{RF} = 240\text{ MHz}$ , $f_{LO} = 229.3\text{ MHz}$ )

Mixer Conversion Gain	50 $\Omega$ Termination Input Matched	-	11 -	14 21	17 -	dB
Noise Figure	Input Matched	NF	-	14	-	dB
Mixer Input Impedance	Single-Ended	$R_p$ $C_p$	- -	400 4.0	- -	$\Omega$ $\text{pF}$
Mixer Output Impedance	-	-	-	330	-	$\Omega$
1.0 dB Gain Compression	@ $Mix_{in}$	$V_{icp}$	-	-16	-	dBm
3rd Order Input Intercept	50 $\Omega$ Termination	IIP3	-	-8.0	-	dBm

### IF AMPLIFIER SECTION ( $T_A = 25^\circ\text{C}$ ; $V_S = 3.0\text{ V}$ ; $f_{IF} = 10.7\text{ MHz}$ )

IF Gain	$f = 10.7\text{ MHz}$	-	32	36	45	dB
Input Impedance	-	-	-	330	-	$\Omega$
Output Impedance	-	-	-	330	-	$\Omega$

### LIMITING AMPLIFIER SECTION ( $T_A = 25^\circ\text{C}$ ; $V_S = 3.0\text{ V}$ ; $f_{IF} = 10.7\text{ MHz}$ )

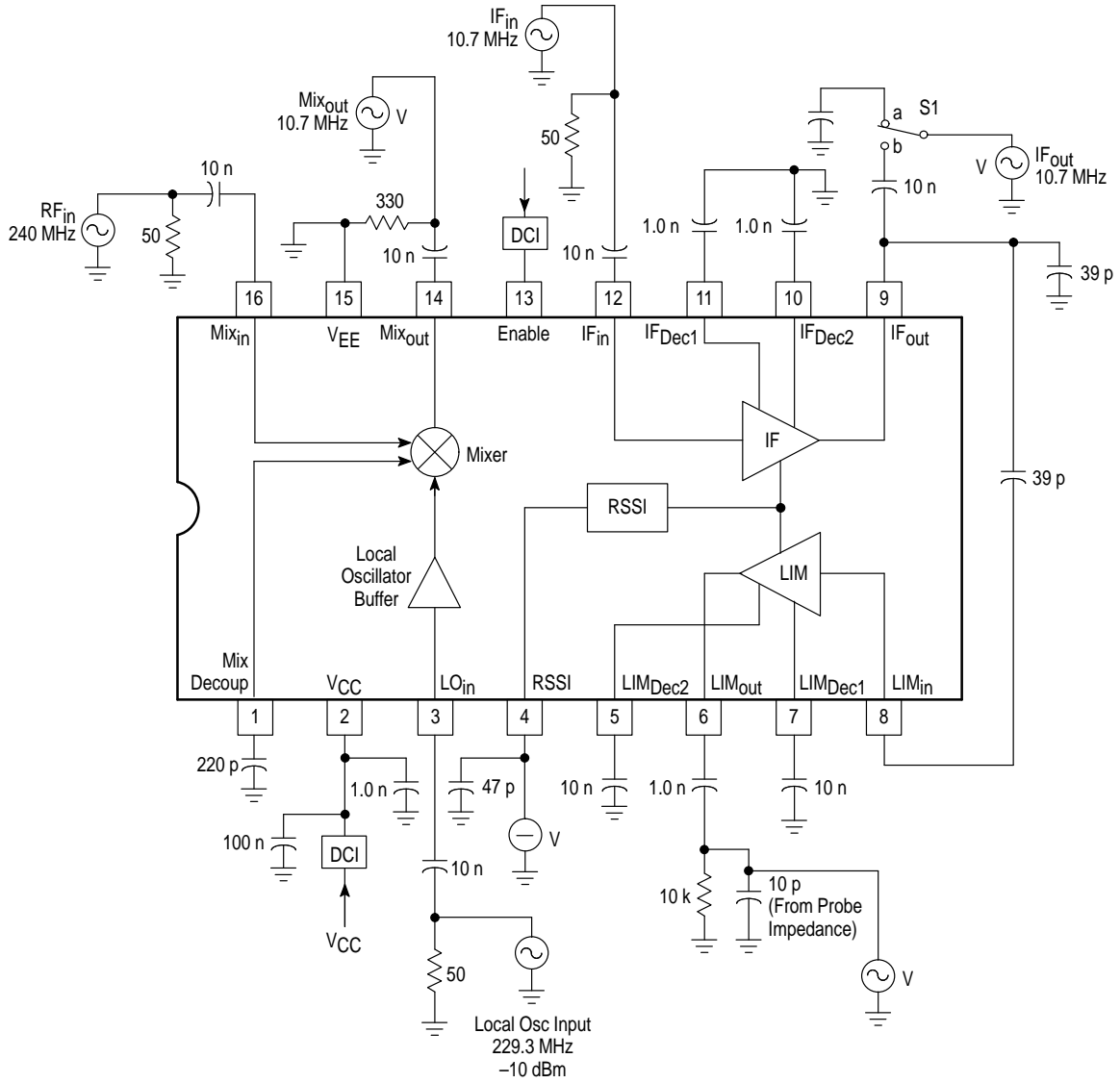
Limiter Gain	$f = 10.7\text{ MHz}$	-	-	70	-	dB
Input Impedance	-	-	-	330	-	$\Omega$
Output Swing	-	-	400	500	600	mVpp
Output Rise Time	-	-	-	10	-	ns
Output Fall Time	-	-	-	20	-	ns

### RSSI SECTION ( $T_A = 25^\circ\text{C}$ ; $V_S = 3.0\text{ V}$ ; $f_{IF} = 10.7\text{ MHz}$ )

RSSI Slope	-	-	10	14	18	mV/dB
RSSI Output DC Voltage 1	No Input Signal	-	0.8	0.9	1.0	V
RSSI Output DC Voltage 2	$V_{IF} = -85\text{ dBm}$	-	0.82	0.95	1.02	V
RSSI Output DC Voltage 3	$V_{IF} = -80\text{ dBm}$	-	0.85	1.0	1.15	V
RSSI Output DC Voltage 4	$V_{IF} = -40\text{ dBm}$	-	1.4	1.5	1.6	V
RSSI Output DC Voltage 5	$V_{in} = 0\text{ dBm}$	-	1.95	2.1	2.25	V

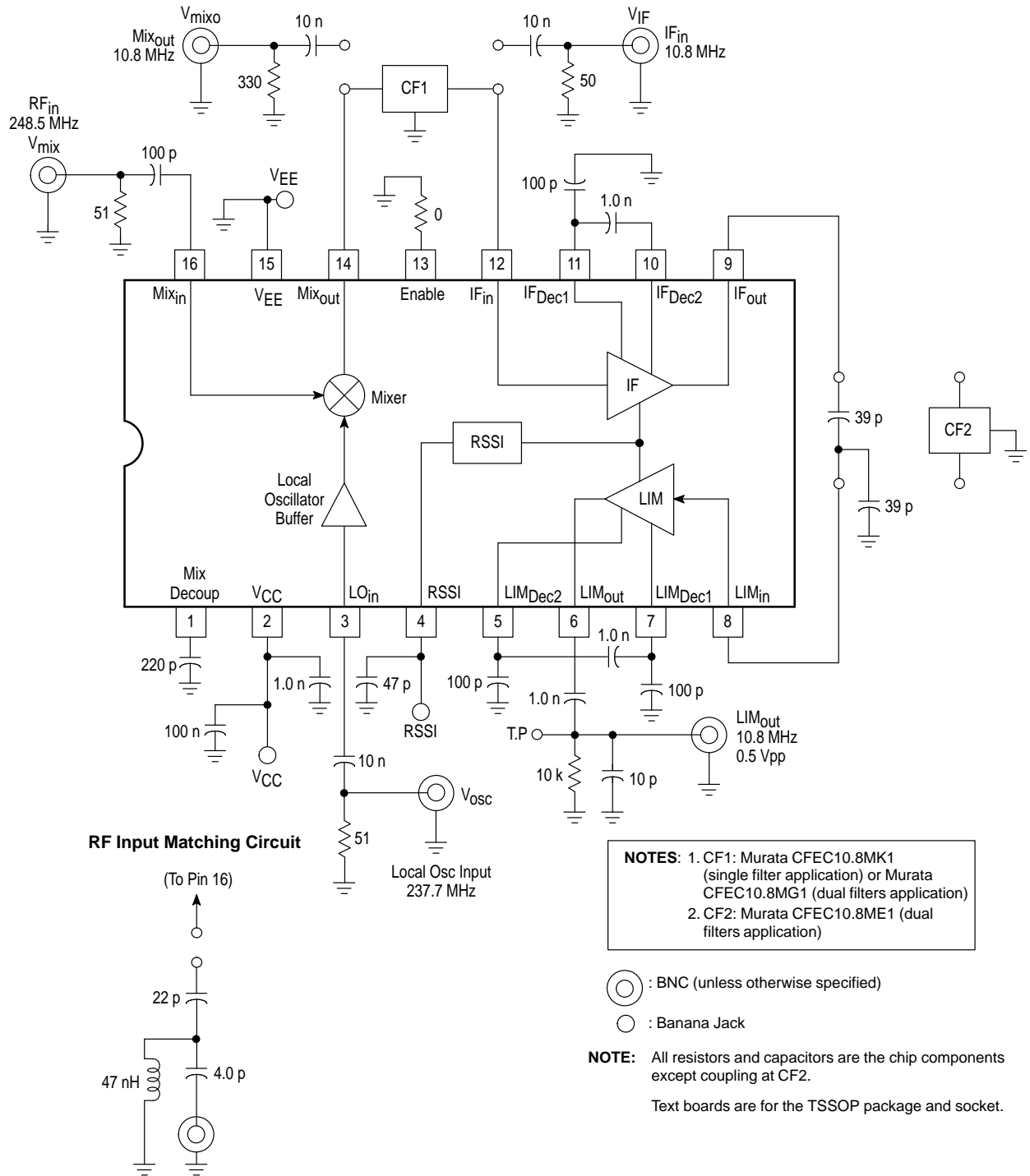
# MC13159

Figure 1. Test Circuit



# MC13159

Figure 2. Test Circuit for Evaluation



# MC13159

## PIN FUNCTION DESCRIPTION

Pin	Symbol	Internal Equivalent Circuit	Description
1	Mix Decoup		<b>Mixer Decoupling</b> Mixer decoupling pin. 220 pF is decoupled to the RF ground. This pin also can be used for differential input with Mix <sub>in</sub> .
16	Mix <sub>in</sub>		<b>Mixer Input</b> Input impedance is about 400 Ω at 240 MHz. Single-ended matching section at 240 MHz is referenced at application circuit.
2	V <sub>CC</sub>		<b>Supply Voltage</b> Supply voltage range is from 2.7 Vdc to 5.5 Vdc. 1.0 nF of decoupling capacitor is placed directly at this pin to reduce the floor noise.
3	LO <sub>in</sub>		<b>Local Oscillator Input</b> Connected to external local oscillator. Input impedance is about 900 Ω at 230 MHz.
4	RSSI		<b>RSSI</b> The RSSI current creates a voltage drop across an internal 15 kΩ resistor.
5 7	LIM <sub>Dec2</sub> LIM <sub>Dec1</sub>		<b>Limiter Decoupling</b> Limiter decoupling pins. Decoupling capacitors are connected to the RF ground, and one is placed between Dec1 and Dec2.
8	LIM <sub>in</sub>		<b>Limiter Input</b> The input impedance is 330 Ω; it matches the 330 Ω input resistance of a 10.7/10.8 MHz ceramic filter.
6	LIM <sub>out</sub>		<b>Limiter Output</b> The output level is about 0.5 V <sub>pp</sub> .

# MC13159

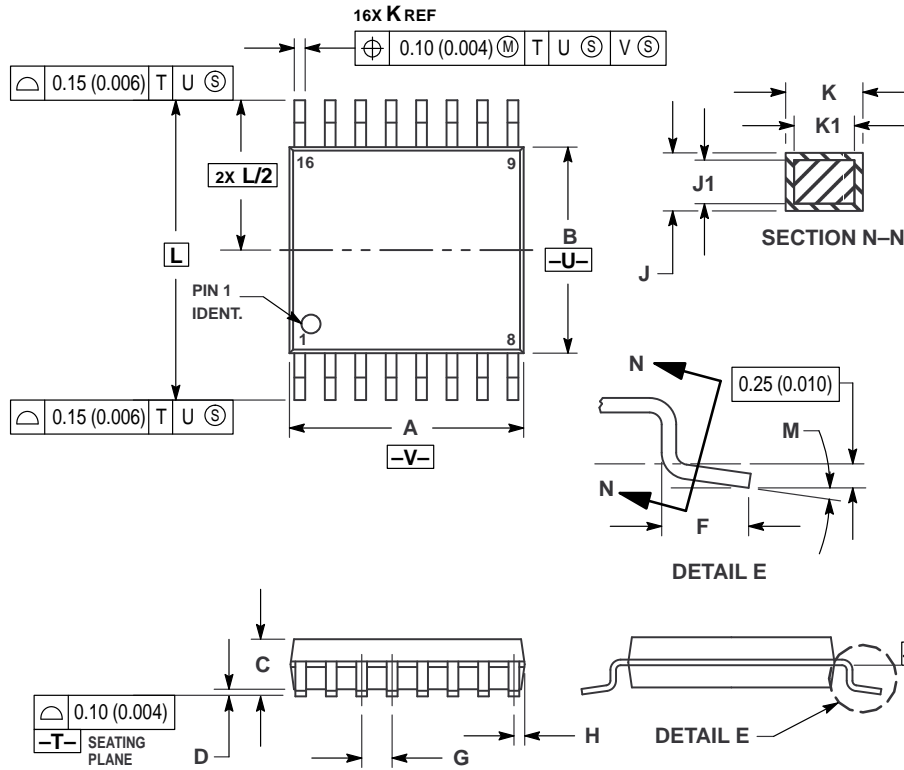
## PIN FUNCTION DESCRIPTION (continued)

Pin	Symbol	Internal Equivalent Circuit	Description
9	IF <sub>out</sub>		<b>IF Output</b> The output impedance is 330 Ω; it matches the 330 input resistance of a 10.7/10.8 MHz ceramic filter.
10 11	IF <sub>Dec2</sub> IF <sub>Dec1</sub>		<b>IF Decoupling</b> IF decoupling pins. Decoupling capacitor is connected from Dec1 to the RF ground, and one is placed between Dec1 and Dec2.
12	IF <sub>in</sub>		<b>IF Input</b> The input impedance is 330 Ω; it matches the 330 input resistance of a 10.7/10.8 MHz ceramic filter.
13	Enable		<b>Enable</b> The IC regulators are enabled by placing this pin at VEE.
14	Mix <sub>out</sub>		<b>Mixer Output</b> The mixer output impedance is 330 Ω; it matches the 330 input resistance of a 10.7/10.8 MHz ceramic filter.
15	V <sub>EE</sub>		<b>Supply Ground</b>

# MC13159

## OUTLINE DIMENSIONS


DTB SUFFIX  
 PLASTIC PACKAGE  
 CASE 948F-01  
 (TSSOP-16)  
 ISSUE O



NOTES:

- 1 DIMENSIONING AND TOLERANCING PER ANSI Y14.5M, 1982.
- 2 CONTROLLING DIMENSION: MILLIMETER.
- 3 DIMENSION A DOES NOT INCLUDE MOLD FLASH, PROTRUSIONS OR GATE BURRS. MOLD FLASH OR GATE BURRS SHALL NOT EXCEED 0.15 (0.006) PER SIDE.
- 4 DIMENSION B DOES NOT INCLUDE INTERLEAD FLASH OR PROTRUSION. INTERLEAD FLASH OR PROTRUSION SHALL NOT EXCEED 0.25 (0.010) PER SIDE.
- 5 DIMENSION K DOES NOT INCLUDE DAMBAR PROTRUSION. ALLOWABLE DAMBAR PROTRUSION SHALL BE 0.08 (0.003) TOTAL IN EXCESS OF THE K DIMENSION AT MAXIMUM MATERIAL CONDITION.
- 6 TERMINAL NUMBERS ARE SHOWN FOR REFERENCE ONLY.
- 7 DIMENSION A AND B ARE TO BE DETERMINED AT DATUM PLANE -W-.

DIM	MILLIMETERS		INCHES	
	MIN	MAX	MIN	MAX
A	4.90	5.10	0.193	0.200
B	4.30	4.50	0.169	0.177
C	—	1.20	—	0.047
D	0.05	0.15	0.002	0.006
F	0.50	0.75	0.020	0.030
G	0.65 BSC		0.026 BSC	
H	0.18	0.28	0.007	0.011
J	0.09	0.20	0.004	0.008
J1	0.09	0.16	0.004	0.006
K	0.19	0.30	0.007	0.012
K1	0.19	0.25	0.007	0.010
L	6.40 BSC		0.252 BSC	
M	0°	8°	0°	8°

Motorola reserves the right to make changes without further notice to any products herein. Motorola makes no warranty, representation or guarantee regarding the suitability of its products for any particular purpose, nor does Motorola assume any liability arising out of the application or use of any product or circuit, and specifically disclaims any and all liability, including without limitation consequential or incidental damages. "Typical" parameters which may be provided in Motorola data sheets and/or specifications can and do vary in different applications and actual performance may vary over time. All operating parameters, including "Typicals" must be validated for each customer application by customer's technical experts. Motorola does not convey any license under its patent rights nor the rights of others. Motorola products are not designed, intended, or authorized for use as components in systems intended for surgical implant into the body, or other applications intended to support or sustain life, or for any other application in which the failure of the Motorola product could create a situation where personal injury or death may occur. Should Buyer purchase or use Motorola products for any such unintended or unauthorized application, Buyer shall indemnify and hold Motorola and its officers, employees, subsidiaries, affiliates, and distributors harmless against all claims, costs, damages, and expenses, and reasonable attorney fees arising out of, directly or indirectly, any claim of personal injury or death associated with such unintended or unauthorized use, even if such claim alleges that Motorola was negligent regarding the design or manufacture of the part. Motorola and  are registered trademarks of Motorola, Inc. Motorola, Inc. is an Equal Opportunity/Affirmative Action Employer.

Mfax is a trademark of Motorola, Inc.

**How to reach us:**

**USA/EUROPE/Locations Not Listed:** Motorola Literature Distribution;  
P.O. Box 5405, Denver, Colorado 80217. 303-675-2140 or 1-800-441-2447

**JAPAN:** Nippon Motorola Ltd.; Tatsumi-SPD-JLDC, 6F Seibu-Butsuryu-Center,  
3-14-2 Tatsumi Koto-Ku, Tokyo 135, Japan. 81-3-3521-8315

**Mfax™:** RMFAX0@email.sps.mot.com – TOUCHTONE 602-244-6609  
– US & Canada ONLY 1-800-774-1848

**ASIA/PACIFIC:** Motorola Semiconductors H.K. Ltd.; 8B Tai Ping Industrial Park,  
51 Ting Kok Road, Tai Po, N.T., Hong Kong. 852-26629298

**INTERNET:** <http://www.mot.com/SPS/>

