

Dual J-K Master-Slave Flip-Flop

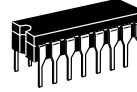
The MC10135 is a dual master-slave dc coupled J-K flip-flop. Asynchronous set (S) and reset (R) are provided. The set and reset inputs override the clock.

A common clock is provided with separate \overline{J} - \overline{K} inputs. When the clock is static, the J-K inputs do not effect the output.

The output states of the flip-flop change on the positive transition of the clock.

$P_D = 280 \text{ mW typ/pkg (No Load)}$
 $f_{Tog} = 140 \text{ MHz typ}$
 $t_{pd} = 3.0 \text{ ns typ}$
 $t_r, t_f = 2.5 \text{ ns typ (20\%–80\%)}$

MC10135



L SUFFIX
CERAMIC PACKAGE
CASE 620-10

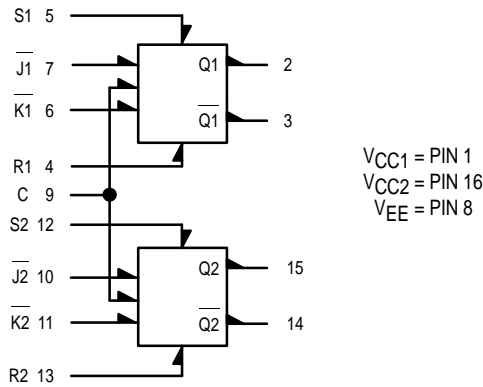


P SUFFIX
PLASTIC PACKAGE
CASE 648-08

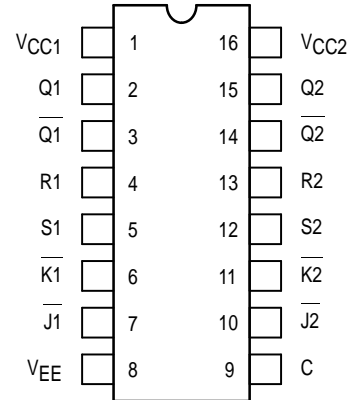


FN SUFFIX
PLCC
CASE 775-02

LOGIC DIAGRAM



DIP PIN ASSIGNMENT



Pin assignment is for Dual-in-Line Package.
For PLCC pin assignment, see the Pin Conversion Tables on page 6-11 of the Motorola MECL Data Book (DL122/D).

R-S TRUTH TABLE

R	S	Q_{n+1}
L	L	Q_n
L	H	H
H	L	L
H	H	N.D.

N.D. = Not Defined

CLOCK J-K TRUTH TABLE*

\overline{J}	\overline{K}	Q_{n+1}
L	L	Q_n
H	L	L
L	H	H
H	H	Q_n

*Output states change on positive transition of clock for J-K input condition present.



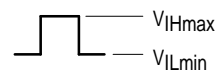
ELECTRICAL CHARACTERISTICS

Characteristic	Symbol	Pin Under Test	Test Limits							Unit
			-30°C		+25°C			+85°C		
			Min	Max	Min	Typ	Max	Min	Max	
Power Supply Drain Current	I_E	8		75		54	68		75	mAdc
Input Current	I_{inH}	6,7,9,10,11 4,5,12,13		425 620			265 390		265 390	μ Adc
	I_{inL}	4,5,6,7,9, 10,11,12,13	0.5 0.5		0.5 0.5			0.3 0.3		μ Adc
Output Voltage Logic 1	V_{OH}	2 2 (3.)	-1.060 -1.060	-0.890 -0.890	-0.960 -0.960		-0.810 -0.810	-0.890 -0.890	-0.700 -0.700	Vdc
Output Voltage Logic 0	V_{OL}	3 3 (3.)	-1.890 -1.890	-1.675 -1.675	-1.850 -1.850		-1.650 -1.650	-1.825 -1.825	-1.615 -1.615	Vdc
Threshold Voltage Logic 1	V_{OHA}	2 2 (4.)	-1.080 -1.080		-0.980 -0.980			-0.910 -0.910		Vdc
Threshold Voltage Logic 0	V_{OLA}	3 3 (4.)		-1.655 -1.655			-1.630 -1.630		-1.595 -1.595	Vdc
Switching Times (50 Ω Load) Clock Input										ns
Propagation Delay	t_{9+2+}	2	1.8	5.0	1.8	3.0	4.5	1.8	4.6	
	t_{9+2-}	2	1.8	5.0	1.8	3.0	4.5	1.8	4.6	
Rise Time (20 to 80%)	t_{2+}, t_{3+}	2, 3	1.1	4.8	1.1	2.0	4.5	1.1	4.7	
Fall Time (20 to 80%)	t_{2-}, t_{3-}	2, 3	1.1	4.8	1.1	2.0	4.5	1.1	4.7	
Set Input Propagation Delay	t_{5+2+}	2	1.8	5.6	1.8	3.0	5.0	1.8	5.2	
	t_{12+15+}	15	1.8	5.6	1.8	3.0	5.0		5.2	
	t_{5+3-}	3	1.8	5.6	1.8	3.0	5.0		5.2	
	t_{12+14-}	14	1.8	5.6	1.8	3.0	5.0		5.2	
Reset Input Propagation Delay	t_{4+2-}	2	1.8	5.6	1.8	3.0	5.0	1.8	5.2	
	t_{4+3-}	3	1.8	5.6	1.8	3.0	5.0	1.8	5.2	
	t_{13+15-}	15	1.8	5.6	1.8	3.0	5.0	1.8	5.2	
	t_{13+14+}	14	1.8	5.6	1.8	3.0	5.0	1.8	5.2	
Setup Time	t_{setup}	7	2.5		2.5	1.0		2.5		ns
Hold Time	t_{hold}	7	1.5		1.5	1.0		2.5		ns
Toggle Frequency (Max)	f_{tog}	2	125		125	140		125		MHz

1. Individually test each input; apply V_{IHmax} to pin under test.

2. Individually test each input; apply V_{ILmin} to pin under test.

3. Output level to be measured after a clock pulse has been applied to the $\overline{C_E}$ Input (Pin 6)



4. Output level to be measured after a clock pulse has been applied to the $\overline{C_E}$ Input (Pin 6)

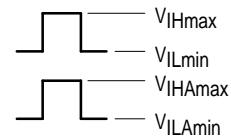


ELECTRICAL CHARACTERISTICS (continued)

			TEST VOLTAGE VALUES (Volts)					(V _{CC}) Gnd	
			V _{IHmax}	V _{ILmin}	V _{IHAmin}	V _{ILAmax}	V _{EE}		
@ Test Temperature									
-30°C			-0.890	-1.890	-1.205	-1.500	-5.2		
+25°C			-0.810	-1.850	-1.105	-1.475	-5.2		
+85°C			-0.700	-1.825	-1.035	-1.440	-5.2		
Characteristic	Symbol	Pin Under Test	TEST VOLTAGE APPLIED TO PINS LISTED BELOW						
			V _{IHmax}	V _{ILmin}	V _{IHAmin}	V _{ILAmax}	V _{EE}		
Power Supply Drain Current	I _E	8					8	1, 16	
Input Current	I _{inH}	6,7,9,10,11 4,5,12,13	Note 1. Note 1.				8 8	1, 16 1, 16	
	I _{inL}	4,5,6,7,9, 10,11,12,13		Note 2. Note 2.			8 8	1, 16 1, 16	
Output Voltage	Logic 1	V _{OH}	2 2 (3.)	5 6			8 8	1, 16 1, 16	
Output Voltage	Logic 0	V _{OL}	3 3 (3.)	5 6			8 8	1, 16 1, 16	
Threshold Voltage	Logic 1	V _{OHA}	2 2 (4.)			5	8 8	1, 16 1, 16	
Threshold Voltage	Logic 0	V _{OLA}	3 3 (4.)			5	8 8	1, 16 1, 16	
Switching Times (50Ω Load) Clock Input						Pulse In	Pulse Out	-3.2 V	+2.0 V
Propagation Delay	t ₉₊₂₊ t ₉₊₂₋	2 2				9	2	8	1, 16
						9	2	8	1, 16
Rise Time (20 to 80%)	t ₂₊ , t ₃₊	2, 3				9	2, 3	8	1, 16
Fall Time (20 to 80%)	t ₂₋ , t ₃₋	2, 3				9	2, 3	8	1, 16
Set Input	Propagation Delay	t ₅₊₂₊	2			5	2	8	1, 16
		t ₁₂₊₁₅₊	15			12	15	8	1, 16
		t ₅₊₃₋	3			5	3	8	1, 16
		t ₁₂₊₁₄₋	14			12	14	8	1, 16
Reset Input	Propagation Delay	t ₄₊₂₋	2			4	2	8	1, 16
		t ₄₊₃₋	3			4	3	8	1, 16
		t ₁₃₊₁₅₋	15			13	15	8	1, 16
		t ₁₃₊₁₄₊	14			13	14	8	1, 16
Setup Time	t _{setup}	7			6, 9	2	8	1, 16	
Hold Time	t _{hold}	7			6, 9	2	8	1, 16	
Toggle Frequency (Max)	f _{tog}	2			9	2	8	1, 16	

1. Individually test each input; apply V_{IHmax} to pin under test.
2. Individually test each input; apply V_{ILmin} to pin under test.

3. Output level to be measured after a clock pulse has been applied to the C_E Input (Pin 6)

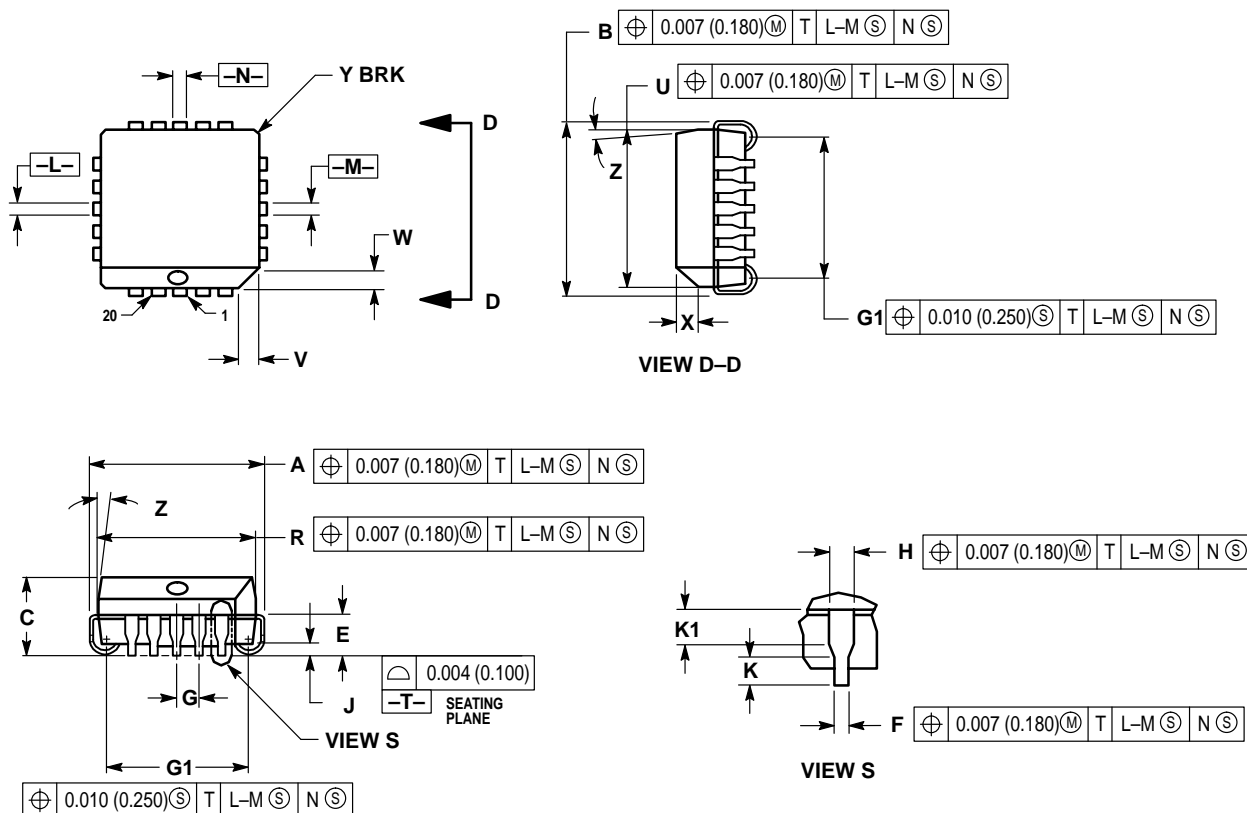


4. Output level to be measured after a clock pulse has been applied to the C_E Input (Pin 6)

Each MECL 10,000 series circuit has been designed to meet the dc specifications shown in the test table, after thermal equilibrium has been established. The circuit is in a test socket or mounted on a printed circuit board and transverse air flow greater than 500 linear fpm is maintained. Outputs are terminated through a 50-ohm resistor to -2.0 volts. Test procedures are shown for only one gate. The other gates are tested in the same manner.

OUTLINE DIMENSIONS

FN SUFFIX
 PLASTIC PLCC PACKAGE
 CASE 775-02
 ISSUE C



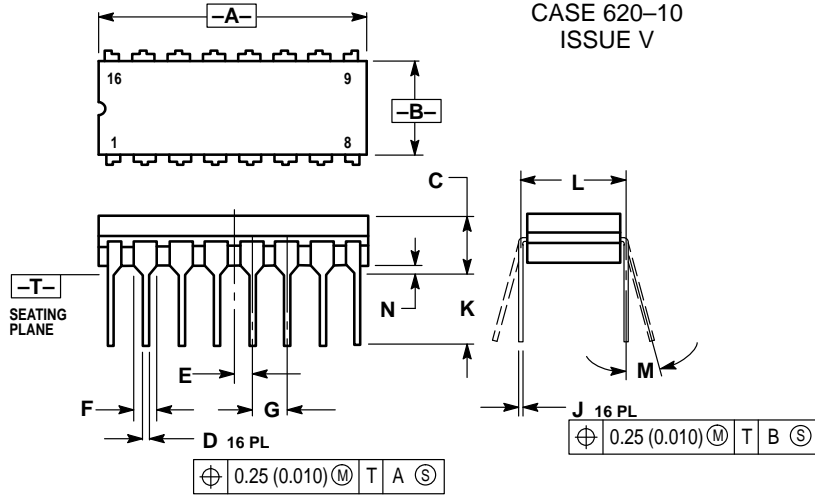
NOTES:

- DATUMS -L-, -M-, AND -N- DETERMINED WHERE TOP OF LEAD SHOULDER EXITS PLASTIC BODY AT MOLD PARTING LINE.
- DIMENSION G1, TRUE POSITION TO BE MEASURED AT DATUM -T-, SEATING PLANE.
- DIMENSIONS R AND U DO NOT INCLUDE MOLD FLASH. ALLOWABLE MOLD FLASH IS 0.010 (0.250) PER SIDE.
- DIMENSIONING AND TOLERANCING PER ANSI Y14.5M, 1982.
- CONTROLLING DIMENSION: INCH.
- THE PACKAGE TOP MAY BE SMALLER THAN THE PACKAGE BOTTOM BY UP TO 0.012 (0.300). DIMENSIONS R AND U ARE DETERMINED AT THE OUTERMOST EXTREMES OF THE PLASTIC BODY EXCLUSIVE OF MOLD FLASH, TIE BAR BURRS, GATE BURRS AND INTERLEAD FLASH, BUT INCLUDING ANY MISMATCH BETWEEN THE TOP AND BOTTOM OF THE PLASTIC BODY.
- DIMENSION H DOES NOT INCLUDE DAMBAR PROTRUSION OR INTRUSION. THE DAMBAR PROTRUSION(S) SHALL NOT CAUSE THE H DIMENSION TO BE GREATER THAN 0.037 (0.940). THE DAMBAR INTRUSION(S) SHALL NOT CAUSE THE H DIMENSION TO BE SMALLER THAN 0.025 (0.635).

DIM	INCHES		MILLIMETERS	
	MIN	MAX	MIN	MAX
A	0.385	0.395	9.78	10.03
B	0.385	0.395	9.78	10.03
C	0.165	0.180	4.20	4.57
E	0.090	0.110	2.29	2.79
F	0.013	0.019	0.33	0.48
G	0.050 BSC		1.27 BSC	
H	0.026	0.032	0.66	0.81
J	0.020	—	0.51	—
K	0.025	—	0.64	—
R	0.350	0.356	8.89	9.04
U	0.350	0.356	8.89	9.04
V	0.042	0.048	1.07	1.21
W	0.042	0.048	1.07	1.21
X	0.042	0.056	1.07	1.42
Y	—	0.020	—	0.50
Z	2°	10°	2°	10°
G1	0.310	0.330	7.88	8.38
K1	0.040	—	1.02	—

OUTLINE DIMENSIONS

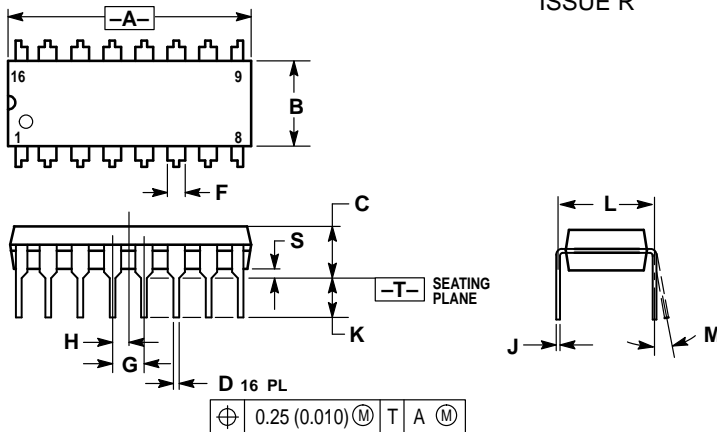
L SUFFIX
CERAMIC DIP PACKAGE
 CASE 620-10
 ISSUE V



- NOTES:
1. DIMENSIONING AND TOLERANCING PER ANSI Y14.5M, 1982.
 2. CONTROLLING DIMENSION: INCH.
 3. DIMENSION L TO CENTER OF LEAD WHEN FORMED PARALLEL.
 4. DIMENSION F MAY NARROW TO 0.76 (0.030) WHERE THE LEAD ENTERS THE CERAMIC BODY.

DIM	INCHES		MILLIMETERS	
	MIN	MAX	MIN	MAX
A	0.750	0.785	19.05	19.93
B	0.240	0.295	6.10	7.49
C	—	0.200	—	5.08
D	0.015	0.020	0.39	0.50
E	0.050 BSC		1.27 BSC	
F	0.055	0.065	1.40	1.65
G	0.100 BSC		2.54 BSC	
H	0.008	0.015	0.21	0.38
K	0.125	0.170	3.18	4.31
L	0.300 BSC		7.62 BSC	
M	0°	15°	0°	15°
N	0.020	0.040	0.51	1.01

P SUFFIX
PLASTIC DIP PACKAGE
 CASE 648-08
 ISSUE R



- NOTES:
1. DIMENSIONING AND TOLERANCING PER ANSI Y14.5M, 1982.
 2. CONTROLLING DIMENSION: INCH.
 3. DIMENSION L TO CENTER OF LEADS WHEN FORMED PARALLEL.
 4. DIMENSION B DOES NOT INCLUDE MOLD FLASH.
 5. ROUNDED CORNERS OPTIONAL.

DIM	INCHES		MILLIMETERS	
	MIN	MAX	MIN	MAX
A	0.740	0.770	18.80	19.55
B	0.250	0.270	6.35	6.85
C	0.145	0.175	3.69	4.44
D	0.015	0.021	0.39	0.53
F	0.040	0.70	1.02	1.77
G	0.100 BSC		2.54 BSC	
H	0.050 BSC		1.27 BSC	
J	0.008	0.015	0.21	0.38
K	0.110	0.130	2.80	3.30
L	0.295	0.305	7.50	7.74
M	0°	10°	0°	10°
S	0.020	0.040	0.51	1.01

Motorola reserves the right to make changes without further notice to any products herein. Motorola makes no warranty, representation or guarantee regarding the suitability of its products for any particular purpose, nor does Motorola assume any liability arising out of the application or use of any product or circuit, and specifically disclaims any and all liability, including without limitation consequential or incidental damages. "Typical" parameters which may be provided in Motorola data sheets and/or specifications can and do vary in different applications and actual performance may vary over time. All operating parameters, including "Typicals" must be validated for each customer application by customer's technical experts. Motorola does not convey any license under its patent rights nor the rights of others. Motorola products are not designed, intended, or authorized for use as components in systems intended for surgical implant into the body, or other applications intended to support or sustain life, or for any other application in which the failure of the Motorola product could create a situation where personal injury or death may occur. Should Buyer purchase or use Motorola products for any such unintended or unauthorized application, Buyer shall indemnify and hold Motorola and its officers, employees, subsidiaries, affiliates, and distributors harmless against all claims, costs, damages, and expenses, and reasonable attorney fees arising out of, directly or indirectly, any claim of personal injury or death associated with such unintended or unauthorized use, even if such claim alleges that Motorola was negligent regarding the design or manufacture of the part. Motorola and are registered trademarks of Motorola, Inc. Motorola, Inc. is an Equal Opportunity/Affirmative Action Employer.

How to reach us:

USA/EUROPE/Locations Not Listed: Motorola Literature Distribution; P.O. Box 5405, Denver, Colorado 80217. 303-675-2140 or 1-800-441-2447

Mfax™: RMFAX0@email.sps.mot.com – TOUCHTONE 602-244-6609
INTERNET: http://Design-NET.com

JAPAN: Nippon Motorola Ltd.; Tatsumi-SPD-JLDC, 6F Seibu-Butsuryu-Center, 3-14-2 Tatsumi Koto-Ku, Tokyo 135, Japan. 81-3-3521-8315

ASIA/PACIFIC: Motorola Semiconductors H.K. Ltd.; 8B Tai Ping Industrial Park, 51 Ting Kok Road, Tai Po, N.T., Hong Kong. 852-26629298

