



**ANALOG  
DEVICES**

# Dual Channel, 12-Bit, 65 MSPS A/D Converter with Analog Input Signal Conditioning

## AD10265

### FEATURES

- Dual, 65 MSPS Minimum Sample Rate
- Channel-Channel Matching,  $\pm 0.1\%$  Gain Error
- Channel-Channel Isolation,  $> 80$  dB
- AC-Coupled Signal Conditioning Included
- Selectable Bipolar Input Voltage Range  
( $\pm 0.5$  V,  $\pm 1.0$  V,  $\pm 2.0$  V)
- Gain Flatness up to Nyquist:  $< 0.5$  dB
- 80 dB Spurious-Free Dynamic Range
- Twos Complement Output Format
- +3.3 V or +5 V CMOS-Compatible Output Levels
- 1.05 W Per Channel
- Industrial and Military Grade

### APPLICATIONS

- Phased Array Receivers
- Communications Receivers
- FLIR Processing
- Secure Communications
- GPS Anti-Jamming Receivers
- Multichannel, Multimode Receivers

### PRODUCT DESCRIPTION

The AD10265 is a full channel ADC solution with on-module signal conditioning for improved dynamic performance and fully matched channel-to-channel performance. The module includes two wide dynamic range AD6640 ADCs. Each AD6640 has an AD9631/AD9632 ac-coupled amplifier front end. The AD6640s have on-chip track-and-hold circuitry, and utilize an innovative multipass architecture, to achieve 12-bit,

65 MSPS performance. The AD10265 uses innovative high-density circuit design and laser-trimmed thin-film resistor networks to achieve exceptional matching and performance while still maintaining excellent isolation, and providing for significant board area savings.

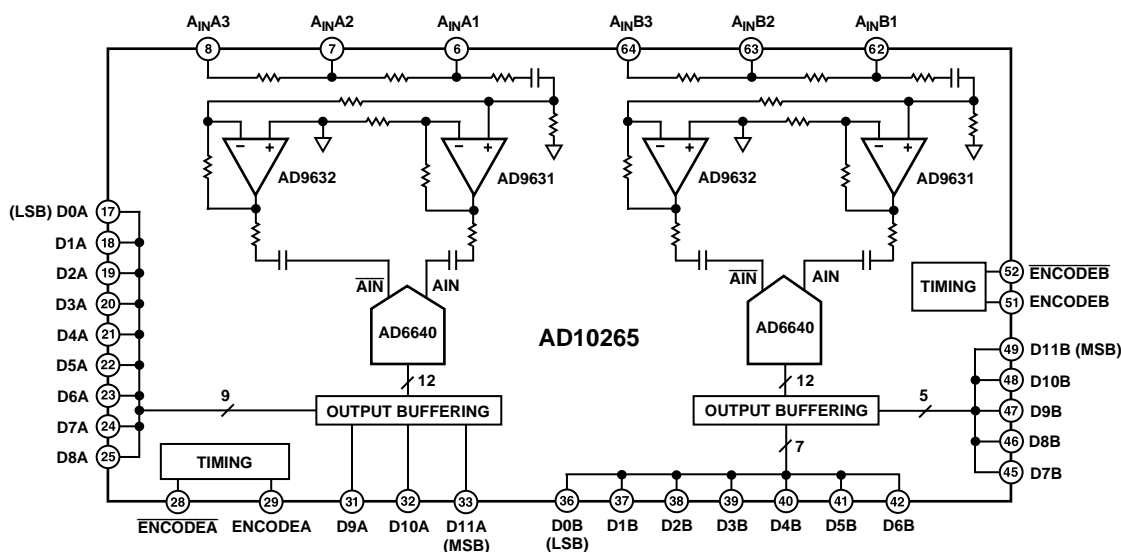
The AD10265 operates with  $\pm 5.0$  V for the analog signal conditioning with a separate +3.3 V supply for the analog-to-digital conversion. Each channel is completely independent allowing operation with independent Encode and Analog inputs. The AD10265 also offers the user a choice of Analog Input Signal ranges to further minimize additional external signal conditioning, while still remaining general-purpose.

The AD10265 is packaged in a 68-lead Ceramic Gull Wing Package, footprint compatible with the earlier generation AD10242 (12-bit, 40 MSPS). Manufacturing is done on Analog Devices' MIL-38534 Qualified Manufacturers Line (QML) and components are available up to Class-H ( $-55^{\circ}\text{C}$  to  $+125^{\circ}\text{C}$ ). The AD6640 internal components are manufactured on Analog Devices' high speed complementary bipolar process (XFCB).

### PRODUCT HIGHLIGHTS

- Guaranteed sample rate of 65 MSPS.
- Input amplitude options, user configurable.
- Input signal conditioning included; both channels matched for gain.
- Fully tested/characterized performance for full channel.
- Footprint compatible family; 68-lead LCCC.

### FUNCTIONAL BLOCK DIAGRAM



REV. 0

Information furnished by Analog Devices is believed to be accurate and reliable. However, no responsibility is assumed by Analog Devices for its use, nor for any infringements of patents or other rights of third parties which may result from its use. No license is granted by implication or otherwise under any patent or patent rights of Analog Devices.

One Technology Way, P.O. Box 9106, Norwood, MA 02062-9106, U.S.A.  
 Tel: 781/329-4700 World Wide Web Site: <http://www.analog.com>  
 Fax: 781/326-8703 © Analog Devices, Inc., 1998

# AD10265—SPECIFICATIONS

## Electrical Characteristics (AV<sub>CC</sub> = +5 V; AV<sub>EE</sub> = -5.0 V; DV<sub>CC</sub> = +3.3 V; applies to each ADC unless otherwise noted)

Parameter	Temp	Test Level	Mil Subgroup	AD10265AZ			Units
				Min	Typ	Max	
RESOLUTION					12		Bits
ACCURACY					Guaranteed		
No Missing Codes	Full	VI	1, 2, 3				
Offset Error	Full	IV	2, 3	-10	3.5	+10	mV
Gain Error <sup>1</sup>	+25°C	I	1	-1.0	±0.5	+1.0	% FS
	Full	VI	2, 3	-2.0	±0.8	+2.0	% FS
Gain Error Channel Match	Full	V			±0.1		%
Pass Band Ripple to Nyquist	Full	I	12		0.2	0.5	dB
ANALOG INPUT (A <sub>IN</sub> )							
Input Voltage Range							
A <sub>IN1</sub>	Full	I			±0.5		V
A <sub>IN2</sub>	Full	I			±1.0		V
A <sub>IN3</sub>	Full	I			±2		V
Input Resistance							
A <sub>IN1</sub>	Full	IV	12	99	100	101	Ω
A <sub>IN2</sub>	Full	IV	12	198	200	202	Ω
A <sub>IN3</sub>	Full	IV	12	396	400	404	Ω
Input Capacitance <sup>2</sup>	+25°C	IV	12	0	4.0	7.0	pF
Analog Input Bandwidth High <sup>3</sup>	+25°C	V			160		MHz
Analog Input Bandwidth Low <sup>3</sup>	+25°C	V			50		kHz
ENCODE INPUT <sup>4, 5</sup>							
Logic Compatibility					TTL/CMOS		
Logic “1” Voltage	Full	I	1, 2, 3	2.0		5.0	V
Logic “0” Voltage	Full	I	1, 2, 3	0		0.8	V
Logic “1” Current (V <sub>INH</sub> = 5 V)	Full	I	1, 2, 3	500	650	800	μA
Logic “0” Current (V <sub>INL</sub> = 0 V)	Full	I	1, 2, 3	-400	-320	-200	μA
Input Capacitance	+25°C	V	12		4.5	7.0	pF
SWITCHING PERFORMANCE							
Maximum Conversion Rate <sup>6</sup>	Full	VI	4, 5, 6	65			MSPS
Minimum Conversion Rate <sup>6</sup>	Full	V	12			6.5	MSPS
Aperture Delay (t <sub>A</sub> )	+25°C	V			400		ps
Aperture Delay Matching	+25°C	V			±2.0		ns
Aperture Uncertainty (Jitter)	+25°C	V			0.3		ps rms
ENCODE Pulsewidth High	+25°C	IV	12	6.5			ns
ENCODE Pulsewidth Low	+25°C	IV	12	6.5			ns
Output Delay (t <sub>OD</sub> )	Full	IV	12	7.0	9.0	12.5	ns
SNR <sup>7</sup>							
Analogue Input @ 1.24 MHz	+25°C	I	4	62	66		dB
	Full	II	5, 6	60.5	66		dB
@ 17 MHz	+25°C	I	4	61	65		dB
	Full	II	5, 6	60	65		dB
@ 32 MHz	+25°C	I	4	61	63		dB
	Full	II	5, 6	59.5	62		dB
SINAD <sup>8</sup>							
Analogue Input @ 1.24 MHz	+25°C	I	4	61	65		dB
	Full	II	5, 6	60	64		dB
@ 17 MHz	+25°C	I	4	61	64		dB
	Full	II	5, 6	59.5	63		dB
@ 32 MHz	+25°C	I	4	61	62		dB
	Full	II	5, 6	59	62		dB

Parameter	Temp	Test Level	Mil Subgroup	AD10265AZ			Units
				Min	Typ	Max	
SPURIOUS-FREE DYNAMIC RANGE <sup>9</sup> Analog Input @ 1.24 MHz  @ 17 MHz  @ 32 MHz	+25°C	I	4	75	80		dBFS
	Full	II	5, 6	75	80		dBFS
	+25°C	I	4	72	80		dBFS
	Full	II	5, 6	72	79		dBFS
	+25°C	I	4	72	79		dBFS
	Full	II	5, 6	72	79		dBFS
TWO-TONE IMD REJECTION <sup>10</sup> f1, f2 @ -7 dBFS	Full	II	4, 5, 6	72	80		dBc
CHANNEL-TO-CHANNEL ISOLATION <sup>11</sup>	+25°C	IV	12	80			dB
LINEARITY Differential Nonlinearity (Encode = 20 MHz) Integral Nonlinearity (Encode = 20 MHz)	+25°C	IV	12	-1.0	±0.5	1.5	LSB
	Full	V			±1.25		LSB
DIGITAL OUTPUTS Logic Compatibility Logic “1” Voltage Logic “0” Voltage Output Coding	Full	I	1, 2, 3	2.8	CMOS DV <sub>CC</sub> - 0.2		V
	Full	I	1, 2, 3		0.2	0.5	V
					Twos Complement		
POWER SUPPLY AV <sub>CC</sub> Supply Voltage I (AV <sub>CC</sub> ) Current AV <sub>EE</sub> Supply Voltage I (AV <sub>EE</sub> ) Current DV <sub>CC</sub> Supply Voltage I (DV <sub>CC</sub> ) Current I <sub>CC</sub> (Total) Supply Current Power Dissipation (Total) Power Supply Rejection Ratio (PSRR)	Full	VI			+5.0		V
	Full	V			336		mA
	Full	VI			-5.0		V
	Full	V			66		mA
	Full	VI			+3.3		V
	Full	V			20		mA
	Full	I	1, 2, 3		422	520	mA
	Full	I	1, 2, 3		2.1	2.4	W
Full	IV	7, 8		0.01	0.02	% FSR/% V <sub>S</sub>	

## NOTES

<sup>1</sup>Gain tests are performed on A<sub>IN1</sub> over specified input voltage range.

<sup>2</sup>Input capacitance specifications show only ceramic package capacitance.

<sup>3</sup>Full power bandwidth is the frequency at which the spectral power of the fundamental frequency (as determined by FFT analysis) is reduced by 3 dB.

<sup>4</sup>ENCODE driven by single-ended source;  $\overline{\text{ENCODE}}$  bypassed to ground through 0.01  $\mu\text{F}$  capacitor.

<sup>5</sup>ENCODE may also be driven differentially in conjunction with  $\overline{\text{ENCODE}}$ ; see “Encoding the AD10265” for details.

<sup>6</sup>Minimum and maximum conversion rates allow for variation in Encode Duty Cycle of 50%  $\pm$  5%.

<sup>7</sup>Analog Input signal power at -1 dBFS; signal-to-noise ratio (SNR) is the ratio of signal level to total noise (first 5 harmonics removed). Encode = 65 MSPS.

<sup>8</sup>Analog Input signal power at -1 dBFS; signal-to-noise and distortion (SINAD) is the ratio of signal level to total noise + harmonics. Encode = 65 MSPS.

<sup>9</sup>Analog Input signal equal -1 dBFS; SFDR is ratio of converter full scale to worst spur.

<sup>10</sup>Both input tones at -7 dBFS; two tone intermodulation distortion (IMD) rejection is the ratio of either tone to the worst 3rd order intermod product. f1 = 17.0 MHz  $\pm$  100 kHz, f2 = 18.0 MHz  $\pm$  100 kHz.

<sup>11</sup>Channel-to-channel isolation tested with A channel/50 ohm terminated <A<sub>IN2</sub> grounded, and a full-scale signal applied to B channel (A<sub>IN1</sub>).

All specifications guaranteed within 100 ms of initial power up regardless of sequencing.

Specifications subject to change without notice.

# AD10265

## ABSOLUTE MAXIMUM RATINGS<sup>1</sup>

Parameter	Min	Max	Units
<b>ELECTRICAL</b>			
V <sub>CC</sub> Voltage	0	7	V
V <sub>EE</sub> Voltage	-7	0	V
Analog Input Voltage	V <sub>EE</sub>	V <sub>CC</sub>	V
Analog Input Current	-10	+10	mA
Digital Input Voltage (ENCODE)	0	AV <sub>CC</sub>	V
ENCODE, $\overline{\text{ENCODE}}$ Differential Voltage		4	V
Digital Output Current	-10	+10	mA
<b>ENVIRONMENTAL<sup>2</sup></b>			
Operating Temperature (Case)	-55	+125	°C
Maximum Junction Temperature		+175	°C
Lead Temperature (Soldering, 10 sec)		+300	°C
Storage Temperature Range (Ambient)	-65	+150	°C

### NOTES

<sup>1</sup>Absolute maximum ratings are limiting values to be applied individually, and beyond which the serviceability of the circuit may be impaired. Functional operability is not necessarily implied. Exposure to absolute maximum rating conditions for an extended period of time may affect device reliability.

<sup>2</sup>Typical thermal impedances for “Z” package:  $\theta_{JC} = 11^\circ\text{C}/\text{W}$ ;  $\theta_{JA} = 30^\circ\text{C}/\text{W}$ .

Table I. Output Coding

MSB	LSB	Base 10	Input
011111111111		2047	+FS
000000000001		+1	
000000000000		0	0.0 V
111111111111		-1	
100000000000		2048	-FS

### EXPLANATION OF TEST LEVELS

#### Test Level

- I – 100% Production Tested.
- II – 100% production tested at +25°C, and sample tested at specified temperatures. AC testing done on sample basis.
- III – Sample Tested Only.
- IV – Parameter is guaranteed by design and characterization testing.
- V – Parameter is a typical value only.
- VI – All devices are 100% production tested at +25°C; sample tested at temperature extremes.

### ORDERING GUIDE

Model	Temperature Range	Package Description	Package Option
AD10265AZ	-25°C to +85°C (Case)	68-Lead Leaded Ceramic Chip Carrier	Z-68A
AD10265/PCB	+25°C	Evaluation Board with AD10265AZ	

### CAUTION

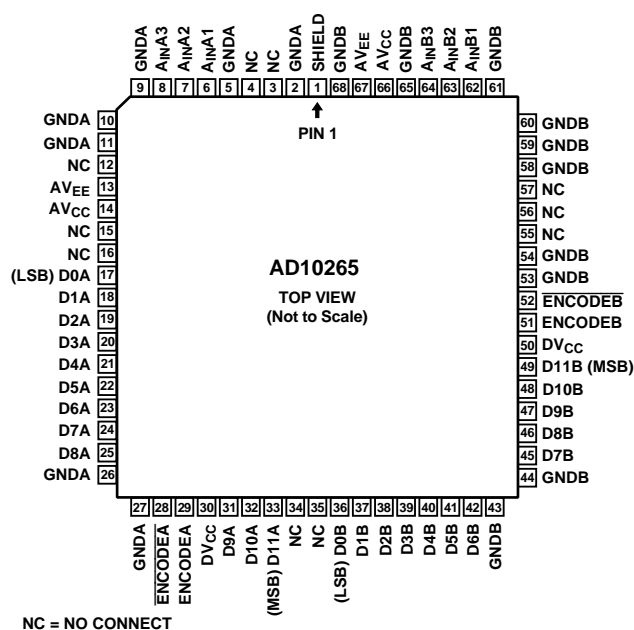
ESD (electrostatic discharge) sensitive device. Electrostatic charges as high as 4000 V readily accumulate on the human body and test equipment and can discharge without detection. Although the AD10265 features proprietary ESD protection circuitry, permanent damage may occur on devices subjected to high energy electrostatic discharges. Therefore, proper ESD precautions are recommended to avoid performance degradation or loss of functionality.



## PIN FUNCTION DESCRIPTIONS

Pin No.	Name	Function
1	SHIELD	Internal Ground Shield between channels.
2, 5, 9–11, 26, 27	GNDA	A Channel Ground. A and B grounds should be connected as close to the device as possible.
3, 4, 12, 15, 16, 34, 35, 55–57	NC	No Connect. Pins 15 and 17 are internal test pins: it is recommended to connect them to GND
6	A <sub>IN</sub> A1	Analog Input for A side ADC (nominally ±0.5 V).
7	A <sub>IN</sub> A2	Analog Input for A side ADC (nominally ±1.0 V).
8	A <sub>IN</sub> A3	Analog Input for A side ADC (nominally ±2.0 V).
13	AV <sub>EE</sub>	Analog Negative Supply Voltage (nominally –5.0 V). For A side ADC.
14	AV <sub>CC</sub>	Analog Positive Supply Voltage (nominally +5.0 V). For A side ADC.
17–25, 31–33	D0A–D11A	Digital Outputs for ADC A. D0 (LSB).
28	$\overline{\text{ENCODEA}}$	$\overline{\text{ENCODE}}$ is complement of ENCODE.
29	ENCODEA	Data conversion initiated on rising edge of ENCODE input.
30	DV <sub>CC</sub>	Digital positive supply voltage (nominally +3.3 V) for A side ADC.
36–42, 45–49	D0B–D11B	Digital Outputs for ADC B. D0 (LSB).
43, 44, 53, 54, 58–61, 65, 68	GNDB	B Channel Ground. A and B grounds should be connected as close to the device as possible.
50	DV <sub>CC</sub>	Digital Positive Supply Voltage (nominally +3.3 V) for B side ADC.
51	ENCODEB	Data conversion initiated on rising edge of ENCODE input.
52	$\overline{\text{ENCODEB}}$	$\overline{\text{ENCODE}}$ is complement of ENCODE.
62	A <sub>IN</sub> B1	Analog Input for B side ADC (nominally ±0.5 V).
63	A <sub>IN</sub> B2	Analog Input for B side ADC (nominally ±1.0 V).
64	A <sub>IN</sub> B3	Analog Input for B side ADC (nominally ±2.0 V).
66	AV <sub>CC</sub>	Analog Positive Supply Voltage (nominally +5.0 V). For B side ADC.
67	AV <sub>EE</sub>	Analog Negative Supply Voltage (nominally –5.0 V). For B side ADC.

## PIN CONFIGURATION 68-Lead Leaded Ceramic Chip Carrier



# AD10265

## DEFINITION OF SPECIFICATIONS

### Analog Bandwidth

The analog input frequency at which the spectral power of the fundamental frequency (as determined by the FFT analysis) is reduced by 3 dB.

### Aperture Delay

The delay between the 50% point of the rising edge of the ENCODE command and the instant at which the analog input is sampled.

### Aperture Uncertainty (Jitter)

The sample-to-sample variation in aperture delay.

### Differential Nonlinearity

The deviation of any code from an ideal 1 LSB step.

### Encode Pulse Width/Duty Cycle

Pulse width high is the minimum amount of time that the ENCODE pulse should be left in logic “1” state to achieve rated performance; pulse width low is the minimum time ENCODE pulse should be left in low state. At a given clock rate, these specs define an acceptable Encode duty cycle.

### Harmonic Distortion

The ratio of the rms signal amplitude to the rms value of the worst harmonic component.

### Integral Nonlinearity

The deviation of the transfer function from a reference line measured in fractions of 1 LSB using a “best straight line” determined by a least square curve fit.

### Minimum Conversion Rate

The encode rate at which the SNR of the lowest analog signal frequency drops by no more than 3 dB below the guaranteed limit.

### Maximum Conversion Rate

The encode rate at which parametric testing is performed.

### Output Propagation Delay

The delay between the 50% point of the rising edge of ENCODE command and the time when all output data bits are within valid logic levels.

### Power Supply Rejection Ratio

The ratio of a change in input offset voltage to a change in power supply voltage.

### Signal-to-Noise-and-Distortion (SINAD)

The ratio of the rms signal amplitude (set at 1 dB below full scale) to the rms value of the sum of all other spectral components, including harmonics but excluding dc.

### Signal-to-Noise Ratio (without Harmonics)

The ratio of the rms signal amplitude (set at 1 dB below full scale) to the rms value of the sum of all other spectral components, excluding the first five harmonics and dc.

### Spurious-Free Dynamic Range

The ratio of the rms signal amplitude to the rms value of the peak spurious spectral component. The peak spurious component may or may not be a harmonic. May be reported in dBc (i.e., degrades as signal levels is lowered) or in dBFS (always related back to converter full scale).

### Two-Tone Intermodulation Distortion Rejection

The ratio of the rms value of either input tone to the rms value of the worst third order intermodulation product; reported in dBc.

### Two-Tone SFDR

The ratio of the rms value of either input tone to the rms value of the peak spurious component. The peak spurious component may or may not be an IMD product. May be reported in dBc (i.e., degrades as signal levels is lowered) or in dBFS (always related back to converter full scale).

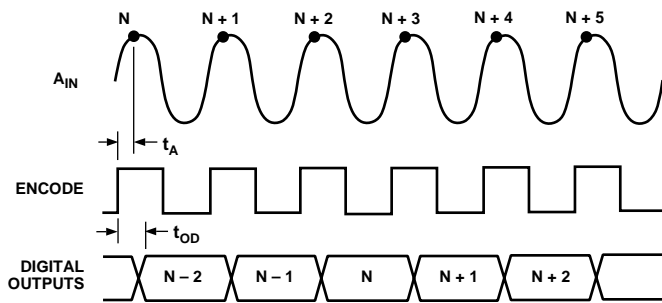


Figure 1. Timing Diagram

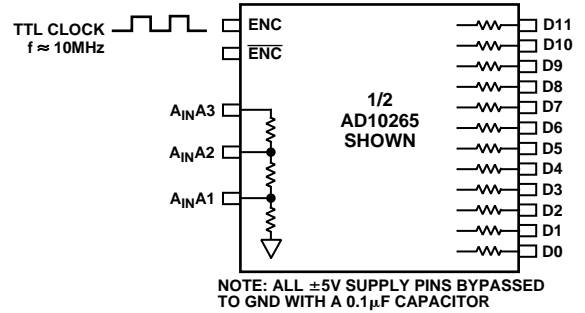


Figure 2. Equivalent Burn-In Circuit

## EQUIVALENT CIRCUITS

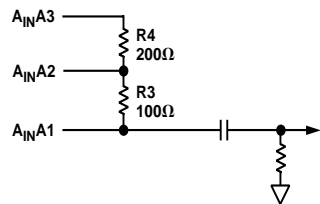


Figure 3. Analog Input Stage

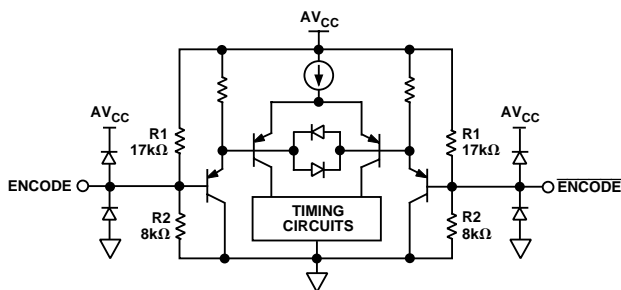


Figure 4. Encode Inputs

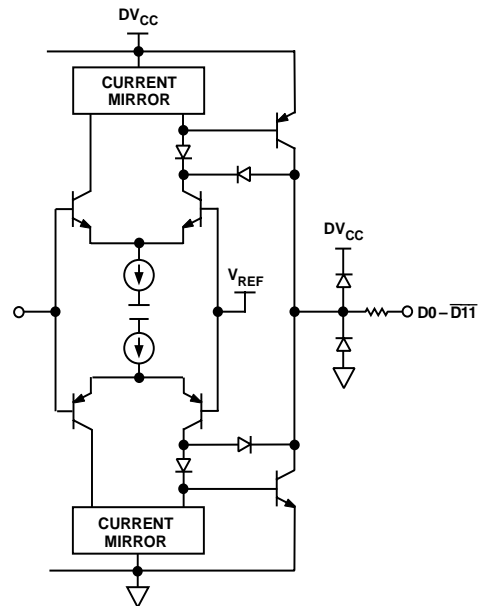


Figure 5. Digital Output Stage

# AD10265—Typical Performance Characteristics

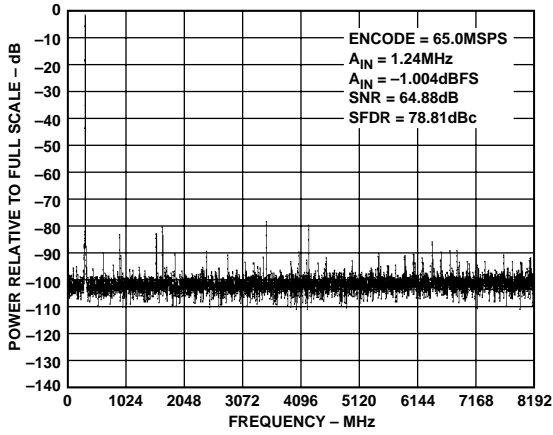


Figure 6. Single Tone @ 1.24 MHz

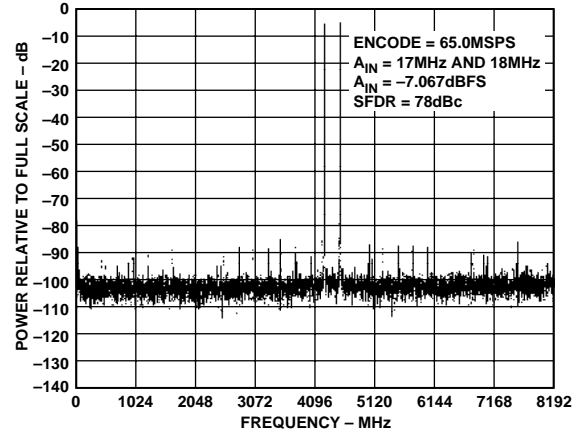


Figure 9. Two-Tone FFT @ 17 MHz/18 MHz

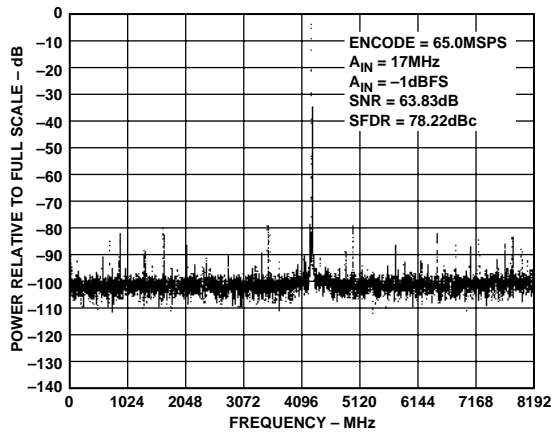


Figure 7. Single Tone @ 17 MHz

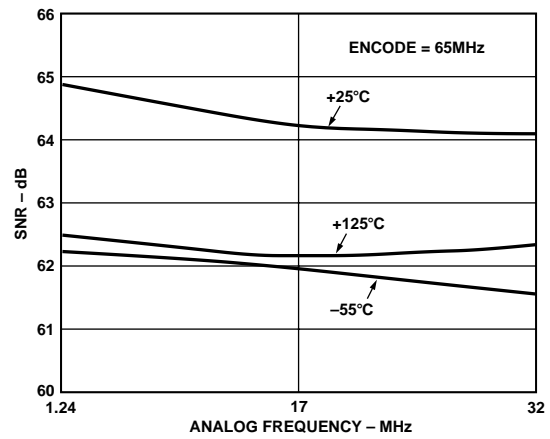


Figure 10. SNR vs.  $A_{IN}$

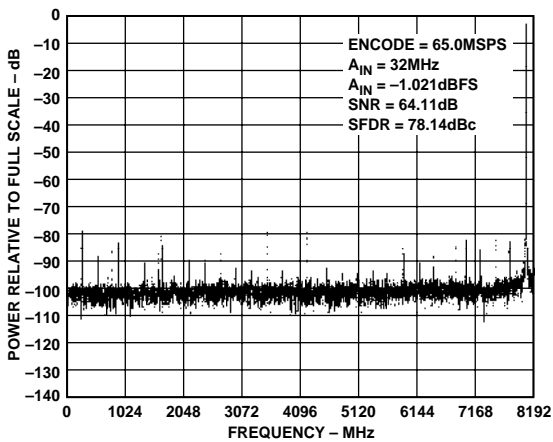


Figure 8. Single Tone @ 32 MHz

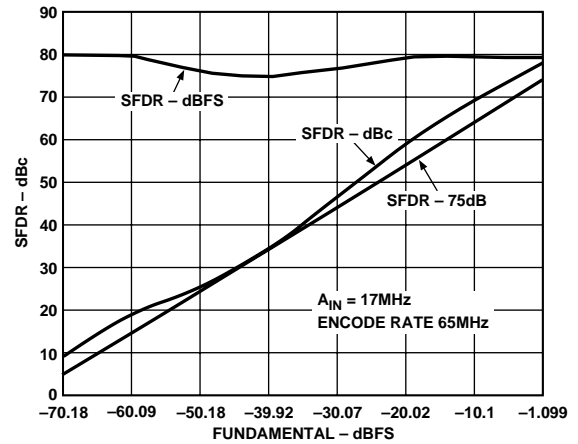


Figure 11. Single Tone SFDR ( $A_{IN}$  @ 17 MHz) vs. Power Level



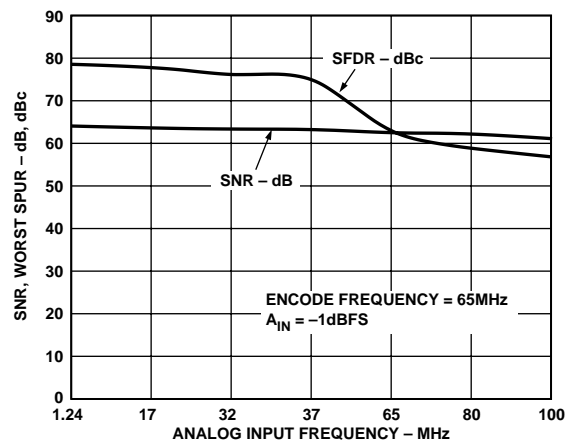


Figure 12. SNR/Harmonics to  $A_{IN} > \text{Nyquist MSPS}$

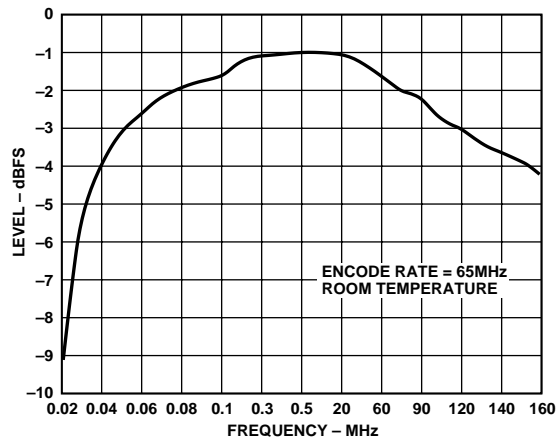


Figure 13. Gain Flatness vs. Input Frequency

# AD10265

## THEORY OF OPERATION

Refer to the Functional Block Diagram. The AD10265 employs three monolithic ADI components per channel (AD9631 AD9632 and AD6640), along with multiple passive resistor networks and decoupling capacitors to fully integrate a complete 12-bit analog-to-digital converter.

The input signal is first passed through a precision laser-trimmed resistor divider, allowing the user to externally select operation with a full-scale signal of  $\pm 0.5$  V,  $\pm 1.0$  V, or  $\pm 2.0$  V by choosing the proper input terminal for the application.

Since the AD6640 implements a true differential analog input, the AD9631/AD9632 have been configured to provide a differential input for the AD6640 ADC through ac-coupling. The ac signal gain of the AD9631/AD9632 can be trimmed to provide a constant differential input to the AD6640. This allows the converter to be used in multiple system applications without the need for external gain circuit normally requiring trim. The AD9631/AD9632 were chosen for their superior ac performance and input drive capabilities, which have limited the ability of many amplifiers to drive high performance ADCs. As new amplifiers are developed, pin-compatible improvements are planned to incorporate the latest operational amplifier technology.

## APPLYING THE AD10265

### Encoding the AD10265

Best performance is obtained by driving the encode pins differentially. However, the AD10265 is also designed to interface with TTL and CMOS logic families. The source used to drive the ENCODE pin(s) must be clean and free from jitter. Sources with excessive jitter will limit SNR and overall performance.

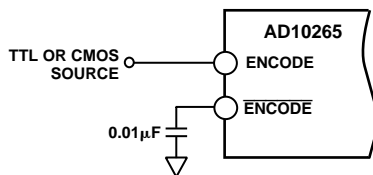


Figure 14. Single-Ended TTL/CMOS Encode

The AD10265 encode inputs are connected to a differential input stage (see Figure 4 under Equivalent Circuits). With no input connected to either ENCODE pin, the voltage divider biases the inputs to 1.6 volts. For TTL or CMOS usage, the encode source should be connected to ENCODE. ENCODE should be decoupled using a low inductance or microwave chip capacitor to ground.

If a logic threshold other than the nominal +1.6 V is required, the following equations show how to use an external resistor,  $R_x$ , to raise or lower the trip point (see Figure 4,  $R_1 = 17$  k $\Omega$ ,  $R_2 = 8$  k $\Omega$ ).

$$V_1 = \frac{5R_2R_x}{R_1R_2 + R_1R_x + R_2R_x} \text{ to lower logic threshold.}$$

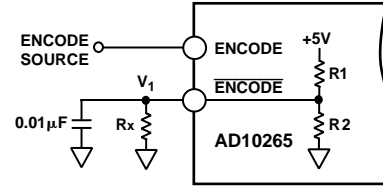


Figure 15. Lower Threshold for Encode

$$V_1 = \frac{5R_2}{R_2 + \frac{R_1R_x}{R_1 + R_x}} \text{ to raise logic threshold.}$$

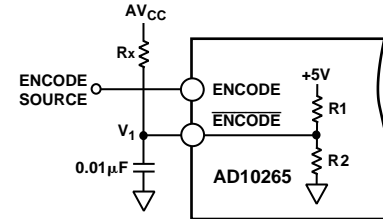


Figure 16. Raise Logic Threshold for Encode

While the single-ended encode will work well for many applications, driving the encode differentially will provide increased performance. Depending on circuit layout and system noise, a 1 dB to 3 dB improvement in SNR can be realized. It is recommended that differential TTL logic be used, however, because most TTL families that support complementary outputs are not delay or slew rate matched. Instead, it is recommended that the encode signal be ac-coupled into the ENCODE and ENCODE pins.

The simplest option is shown below. The low jitter TTL signal is coupled with a limiting resistor, typically 100  $\Omega$ , to the primary side of an RF transformer (these transformers are inexpensive and readily available; part number in Figure 17 is from Mini-Circuits). The secondary side is connected to the ENCODE and ENCODE pins of the converter. Since both encode inputs are self-biased, no additional components are required.

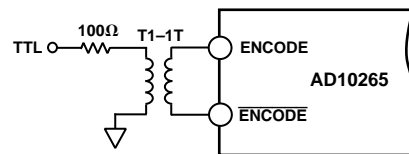


Figure 17. TTL Source—Differential Encode

A clean sine wave may be substituted for a TTL clock. In this case, the matching network is shown below. Select a transformer ratio to match source and load impedances. The input impedance of the AD10265 encode is approximately 11 k $\Omega$  differentially. Therefore “R,” shown in Figure 18, may be any value that is convenient for available drive power.

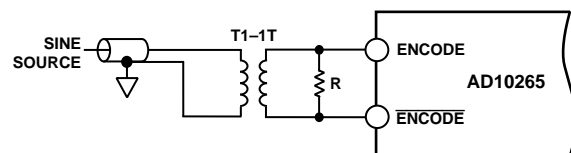


Figure 18. Sine Source—Differential Encode

If a low jitter ECL clock is available, another option is to ac-couple a differential ECL signal to the encode input pins as shown below. The capacitors shown here should be chip capacitors, but do not need to be of the low inductance variety.

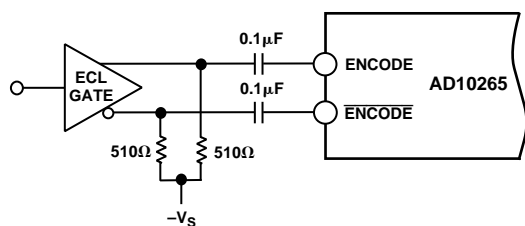


Figure 19. Differential ECL for Encode

As a final alternative, the ECL gate may be replaced by an ECL comparator. The input to the comparator could then be a logic signal or a sine signal.

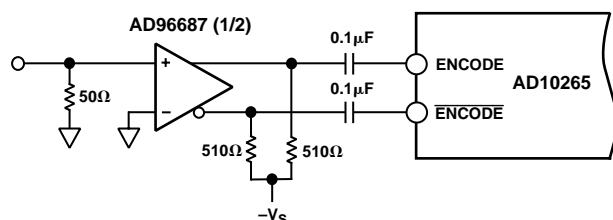


Figure 20. ECL Comparator for Encode

### USING THE FLEXIBLE INPUT

The AD10265 has been designed with the user's ease of operation in mind. Multiple input configurations have been included on board to allow the user a choice of input signal levels and input impedance. While the standard inputs are  $\pm 0.5$  V,  $\pm 1.0$  V and  $\pm 2.0$  V, the user can select the input impedance of the AD10265 on any input by using the other inputs as alternate locations for GND or an external resistor. The following chart summarizes the impedance options available at each input location:

$A_{IN1} = 100 \Omega$  when  $A_{IN2}$  and  $A_{IN3}$  Are Open.

$A_{IN1} = 75 \Omega$  when  $A_{IN3}$  Is Shorted to GND.

$A_{IN1} = 50 \Omega$  when  $A_{IN2}$  Is Shorted to GND.

$A_{IN2} = 200 \Omega$  when  $A_{IN3}$  Is Open.

$A_{IN2} = 100 \Omega$  when  $A_{IN3}$  Is Shorted to GND.

$A_{IN2} = 75 \Omega$  when  $A_{IN2}$  to  $A_{IN3}$  Has an External Resistor of  $300 \Omega$ , with  $A_{IN3}$  Shorted to GND.

$A_{IN2} = 50 \Omega$  when  $A_{IN2}$  to  $A_{IN3}$  Has an External Resistor of  $100 \Omega$ , with  $A_{IN3}$  Shorted to GND.

$A_{IN3} = 400 \Omega$ .

$A_{IN3} = 100 \Omega$  when  $A_{IN3}$  Has an External Resistor of  $133 \Omega$  to GND.

$A_{IN3} = 75 \Omega$  when  $A_{IN3}$  Has an External Resistor of  $92 \Omega$  to GND.

$A_{IN3} = 50 \Omega$  when  $A_{IN3}$  Has an External Resistor of  $57 \Omega$  to GND.

### GROUNDING AND DECOUPLING

#### Analog and Digital Grounding

Proper grounding is essential in any high speed, high resolution system. Multilayer printed circuit boards (PCBs) are recommended to provide optimal grounding and power schemes. The use of ground and power planes offers distinct advantages:

1. The minimization of the loop area encompassed by a signal and its return path.
2. The minimization of the impedance associated with ground and power paths.
3. The inherent distributed capacitor formed by the power plane, PCB insulation and ground plane.

These characteristics result in both a reduction of electromagnetic interference (EMI) and an overall improvement in performance.

It is important to design a layout that prevents noise from coupling to the input signal. Digital signals should not be run in parallel with input signal traces and should be routed away from the input circuitry. The AD10265 does not distinguish between analog and digital ground pins as the AD10265 should always be treated as an analog component. All ground pins should be connected together directly under the AD10265. The PCB should have a ground plane covering all unused portions of the component side of the board to provide a low impedance path and manage the power and ground currents. The ground plane should be removed from the area near the input pins to reduce stray capacitance.

### LAYOUT INFORMATION

The schematic of the evaluation board (Figure 21) represents a typical implementation of the AD10265. The pinout of the AD10265 is very straightforward and facilitates ease of use and the implementation of high frequency/high resolution design practices. It is recommended that high quality ceramic chip capacitors be used to decouple each supply pin to ground directly at the device. All capacitors can be standard high quality ceramic chip capacitors.

Care should be taken when placing the digital output runs. Because the digital outputs have such a high slew rate, the capacitive loading on the digital outputs should be minimized. Circuit traces for the digital outputs should be kept short and connect directly to the receiving gate. Internal circuitry buffers the outputs of the AD6640 ADC through a resistor network to eliminate the need to externally isolate the device from the receiving gate.

# AD10265

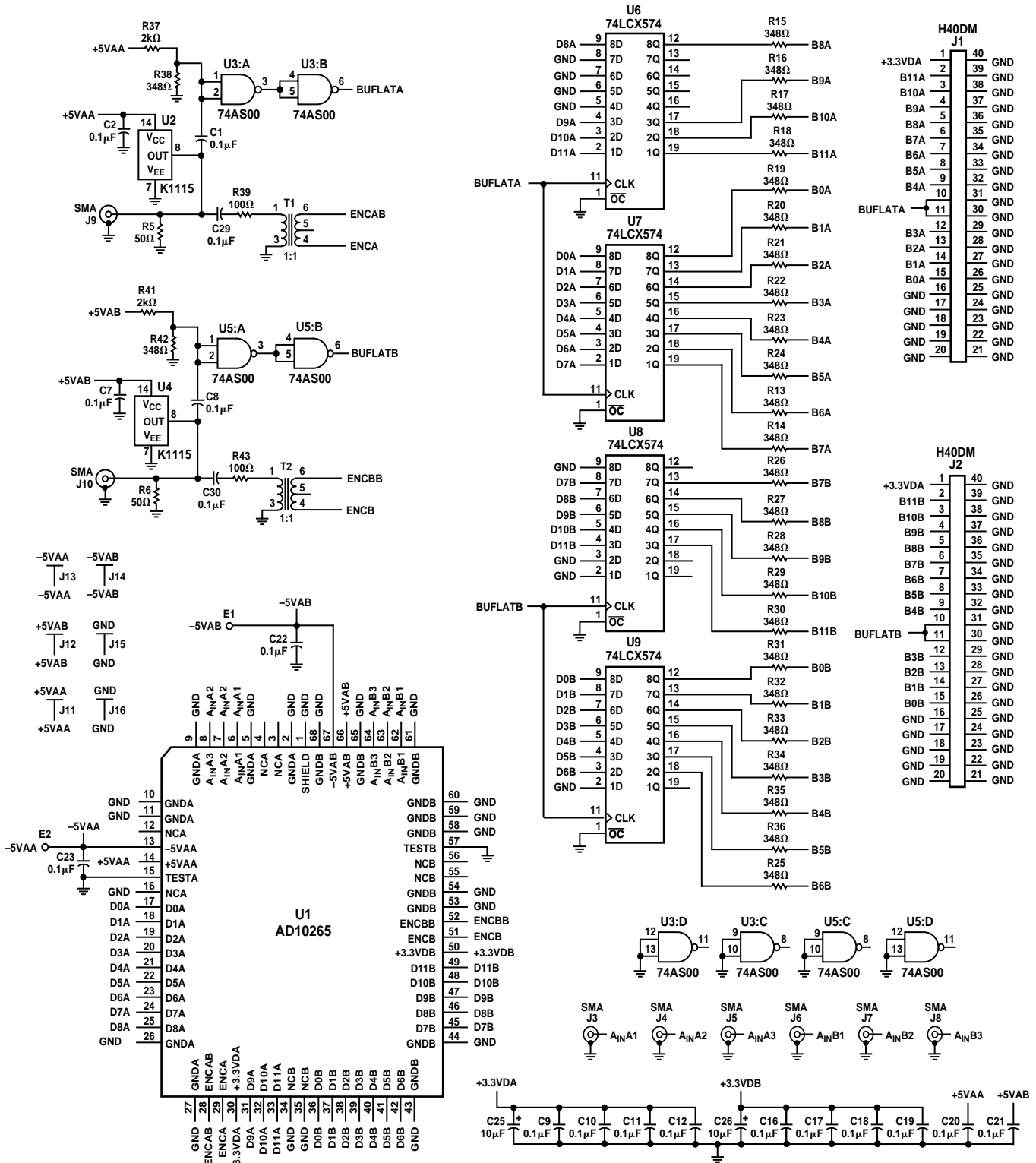


Figure 21. Evaluation Board Schematic

## EVALUATION BOARD

The AD10265 evaluation board (Figure 22) is designed to provide optimal performance for evaluation of the AD10265 analog-to-digital converter. The board encompasses everything needed to ensure the highest level of performance for evaluating the AD10265.

Power to the analog supply pins is connected via banana jacks. The analog supply powers the crystal oscillator, the associated components and amplifiers, and the analog section of the AD10265. The digital outputs of the AD10265 are powered via Pin 1 of either J1 or J2 found on the digital interface connector with +3.3 V. Contact the factory if additional layout or applications assistance is required.

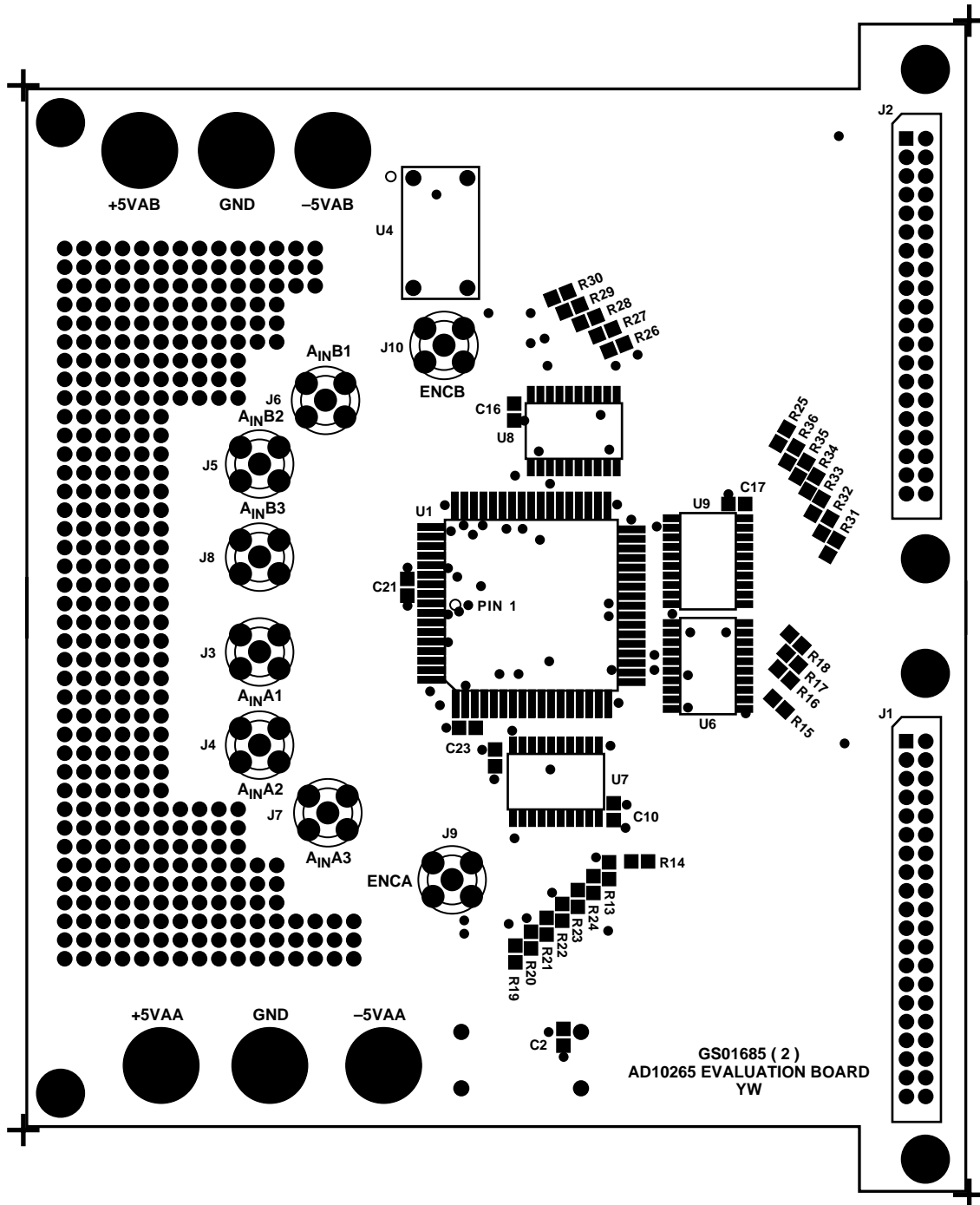


Figure 22. Evaluation Board Mechanical Layout

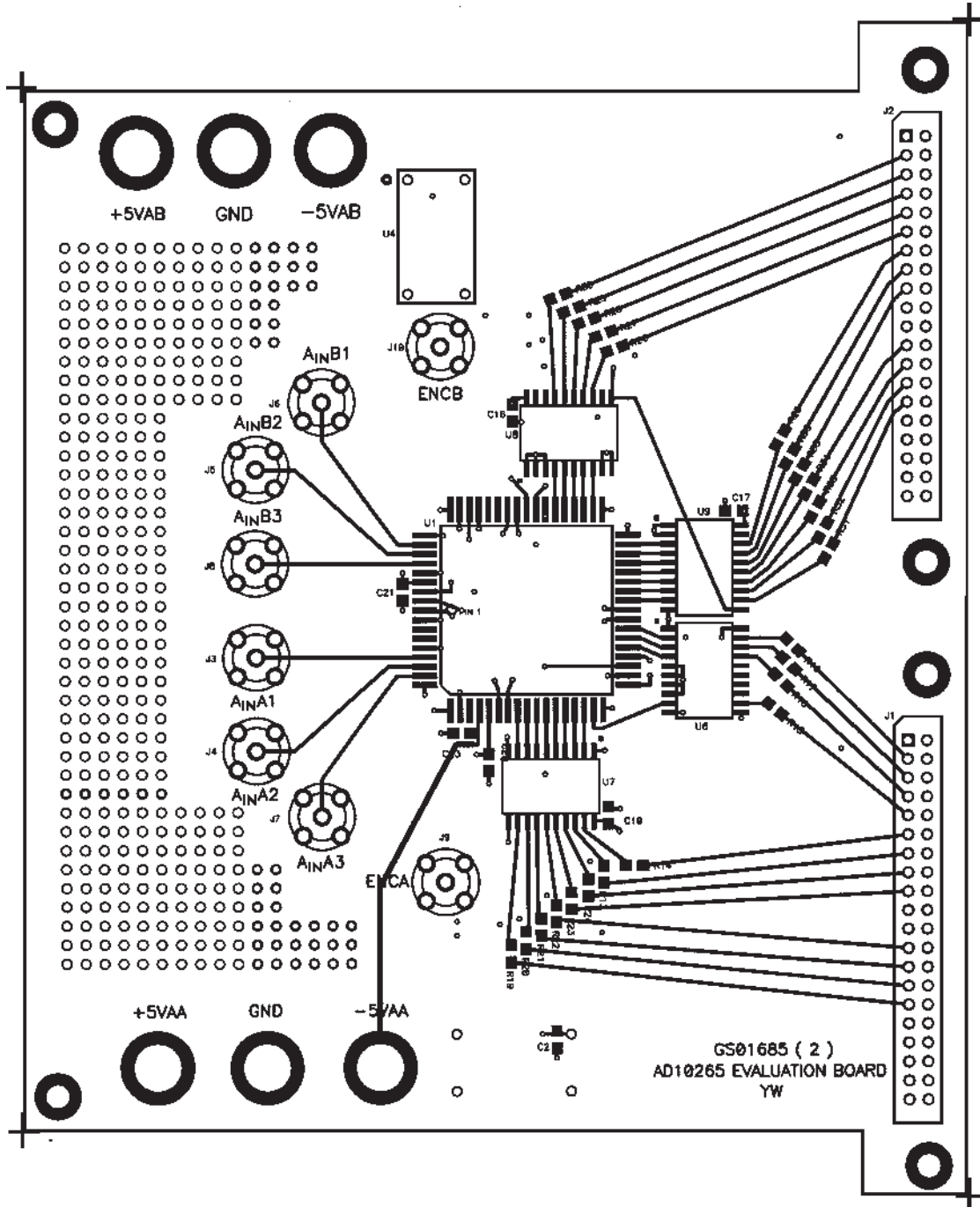


Figure 23. Top Layer

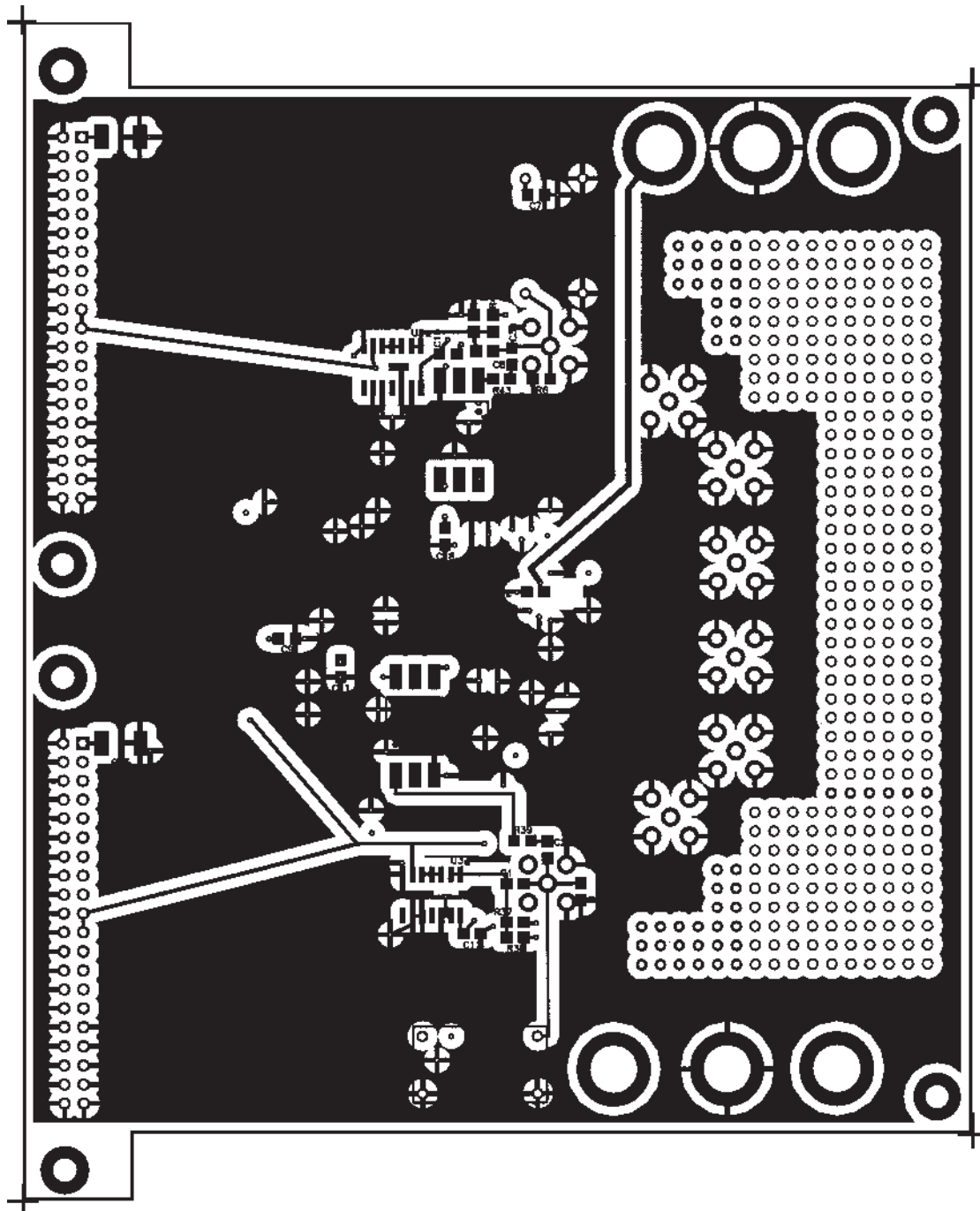


Figure 24. Bottom Layer

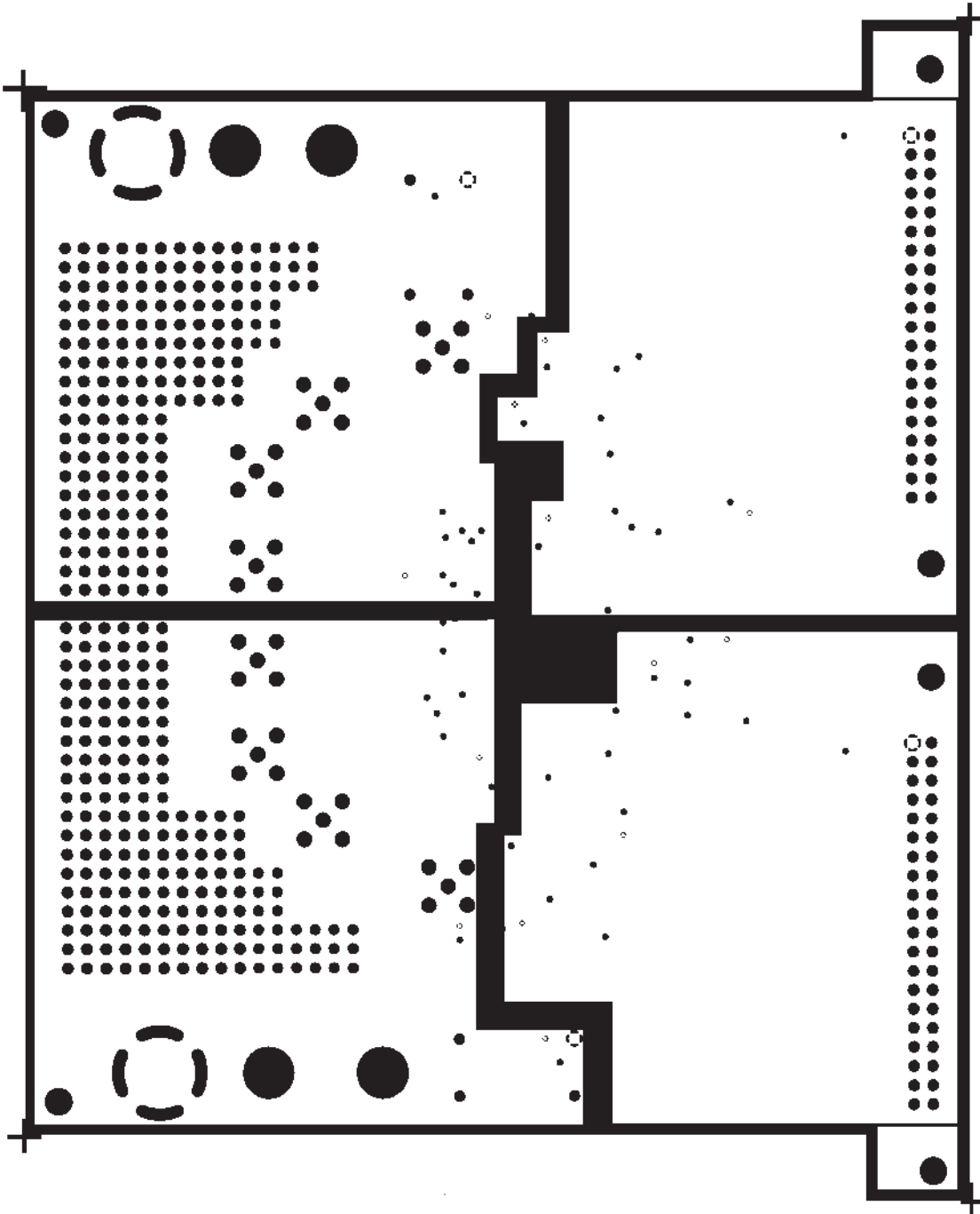


Figure 25. Power Plane Layer



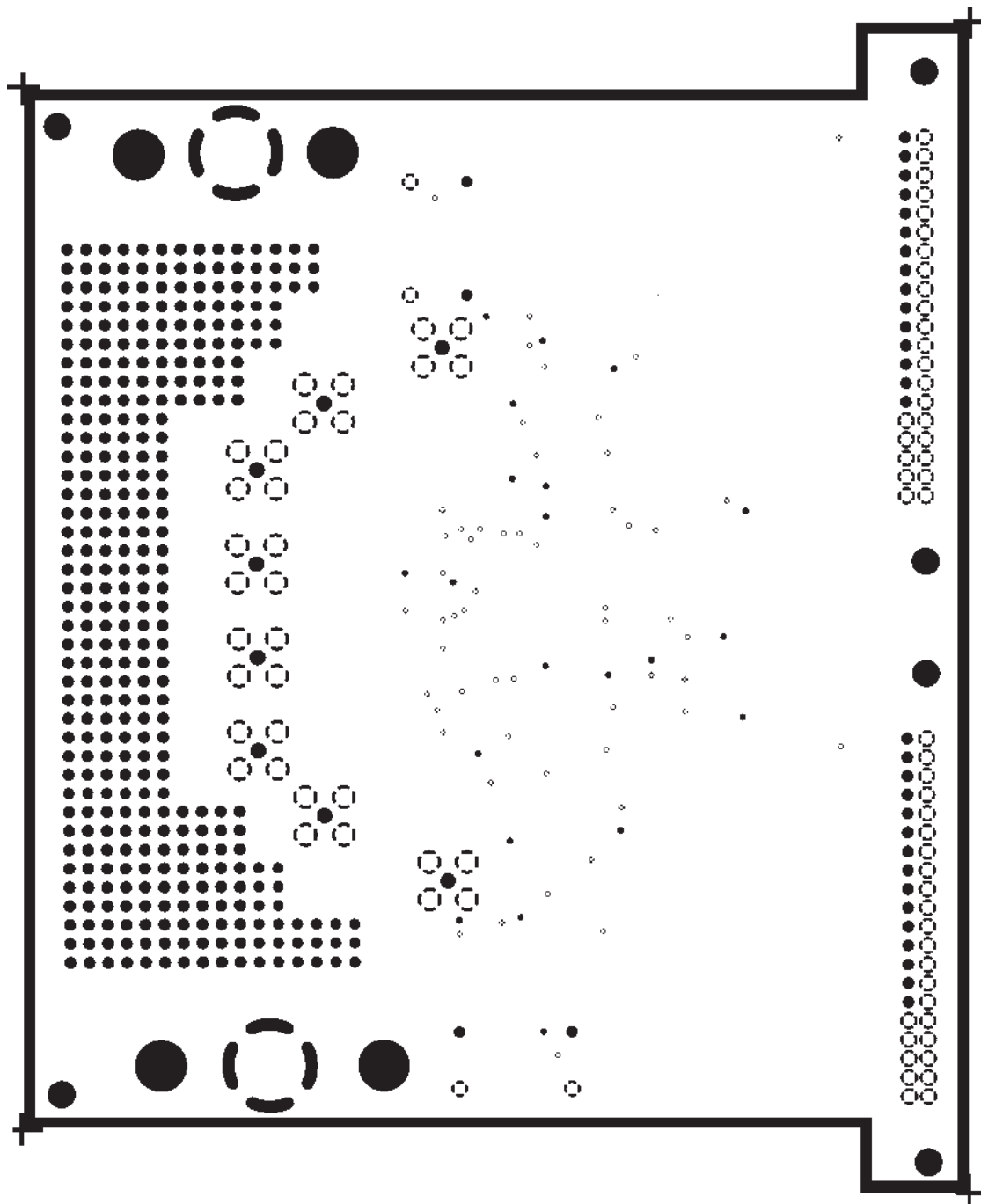


Figure 26. Ground Plane Layer

## OUTLINE DIMENSIONS

Dimensions shown in inches and (mm).

### 68-Lead Leaded Ceramic Chip Carrier (Z-68A)

