

SMD POWER INDUCTORS

MODEL NO. : SMI-0805 SERIES (DO3316P COMPATIBLE)
FEATURES:

- * SUPERIOR QUALITY FOR AN AUTOMATED PRODUCTION LINE.
- * PICK AND PLACE COMPATIBLE.
- * TAPE AND REEL PACKING.

APPLICATION :

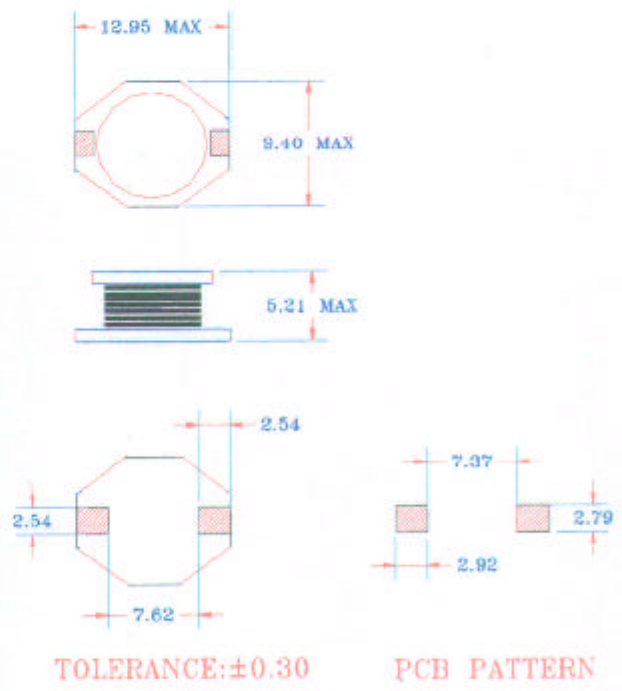
- * NOTEBOOK COMPUTERS.
- * DC-DC CONVERTORS.
- *DC-AC INVERTERS.
- *CABLE MODEM

ELECTRICAL SPECIFICATION:

PHYSICAL DIMENSION :

(UNIT:mm)

PART NO.	INDUCTANCE (μ H \pm 20%)	D.C.R. MAX (Ω)	Isat (ADC)	I _{rms} (Arms)
SMI-0805-1R0	1.0	0.009	9.0	6.8
SMI-0805-1R5	1.5	0.010	8.0	6.4
SMI-0805-2R2	2.2	0.012	7.0	6.1
SMI-0805-3R3	3.3	0.015	6.4	5.4
SMI-0805-4R7	4.7	0.018	5.4	4.8
SMI-0805-6R8	6.8	0.027	4.6	4.4
SMI-0805-100	10	0.038	3.8	3.9
SMI-0805-150	15	0.046	3.0	3.1
SMI-0805-220	22	0.085	2.6	2.7
SMI-0805-330	33	0.10	2.0	2.1
SMI-0805-470	47	0.14	1.6	1.8
SMI-0805-680	68	0.20	1.4	1.5
SMI-0805-101	100	0.28	1.2	1.3
SMI-0805-151	150	0.40	1.0	1.0
SMI-0805-221	220	0.61	0.8	0.8
SMI-0805-331	330	1.02	0.6	0.6
SMI-0805-471	470	1.27	0.5	0.5
SMI-0805-681	680	2.02	0.4	0.4
SMI-0805-102	1000	3.00	0.3	0.3



TOLERANCE: ± 0.30

PCB PATTERN

NOTE(1):TEST FREQUENCY: 100KHZ , 0.1 VRMS
NOTE(2):THIS INDICATES THE VALUE OF DC CURRENT WHICH THE INDUCTANCE IS 10% LOWER THAN ITS INITIAL VALUE AND/OR $\Delta T=40^{\circ}C$ UNDER THIS DC CURRENT BIAS.