

SHINDENGEN

Super Fast Recovery Rectifiers

Dual

DF10LC20U

200V 10A

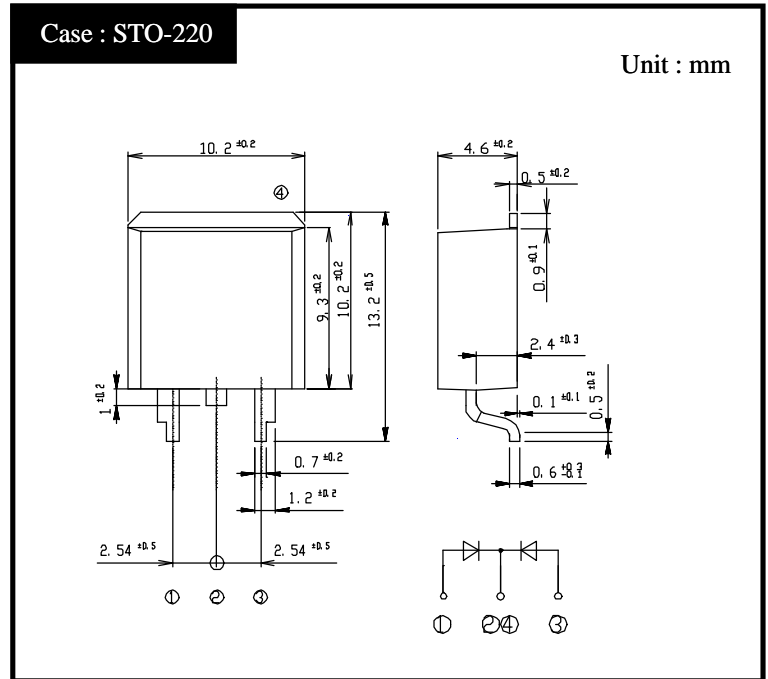
FEATURES

SMT
Low noise
trr35ns

APPLICATION

Switching power supply
DC/DC converter
Free Wheel
Home Appliances, Office Equipment
Telecommunication, Factory Automation

OUTLINE DIMENSIONS



RATINGS

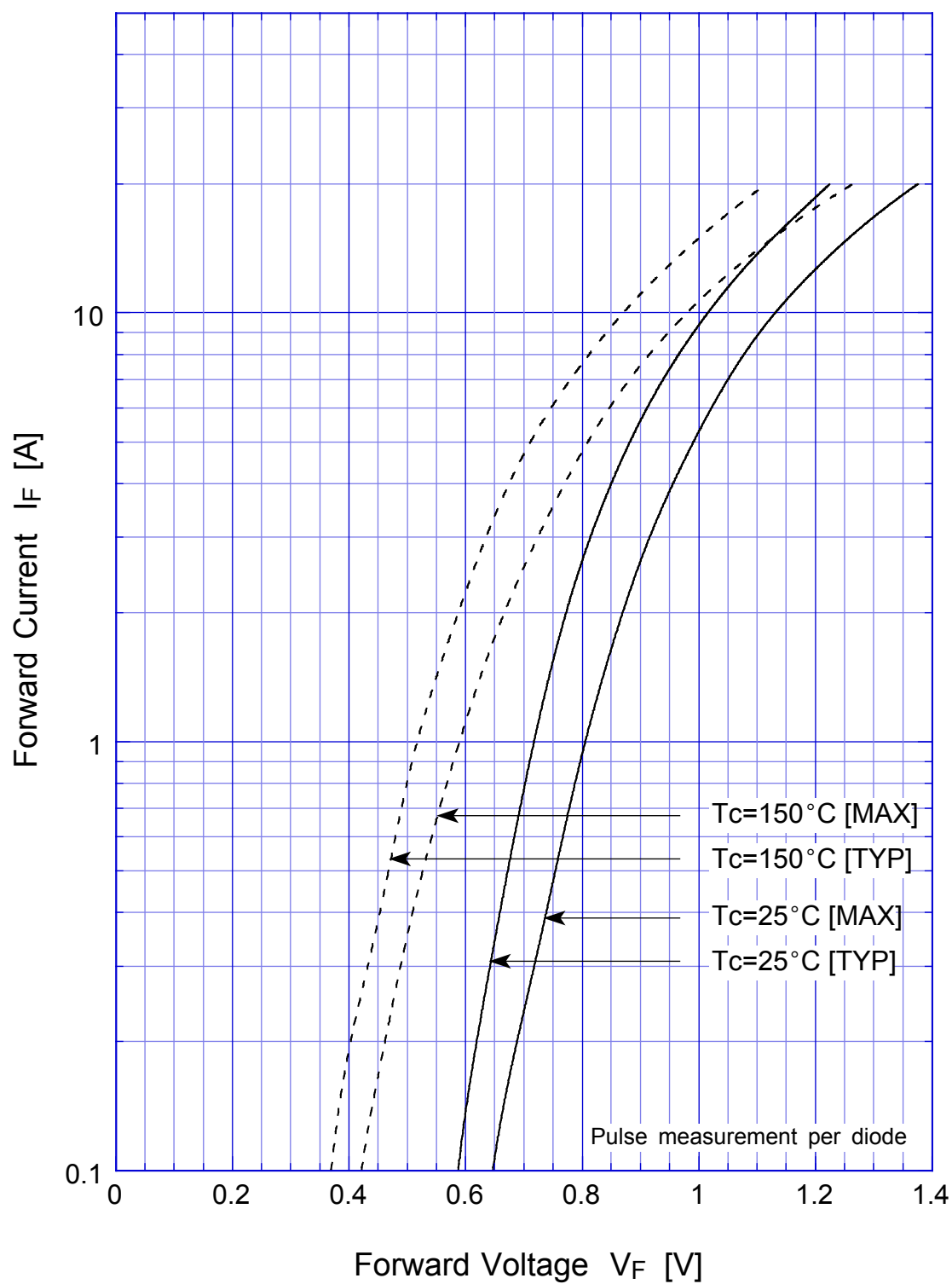
Absolute Maximum Ratings (If not specified $T_c=25$)

Item	Symbol	Conditions	Ratings	Unit
Storage Temperature	T_{stg}		-40 ~ 150	
Operating Junction Temperature	T_j		150	
Maximum Reverse Voltage	V_{RM}		200	V
Average Rectified Forward Current	I_o	50Hz sine wave, R-load, Rating for each diode $I_o/2$, $T_c=127$	10	A
Peak Surge Forward Current	I_{FSM}	50Hz sine wave, Non-repetitive 1 cycle peak value, $T_i=25$	80	A

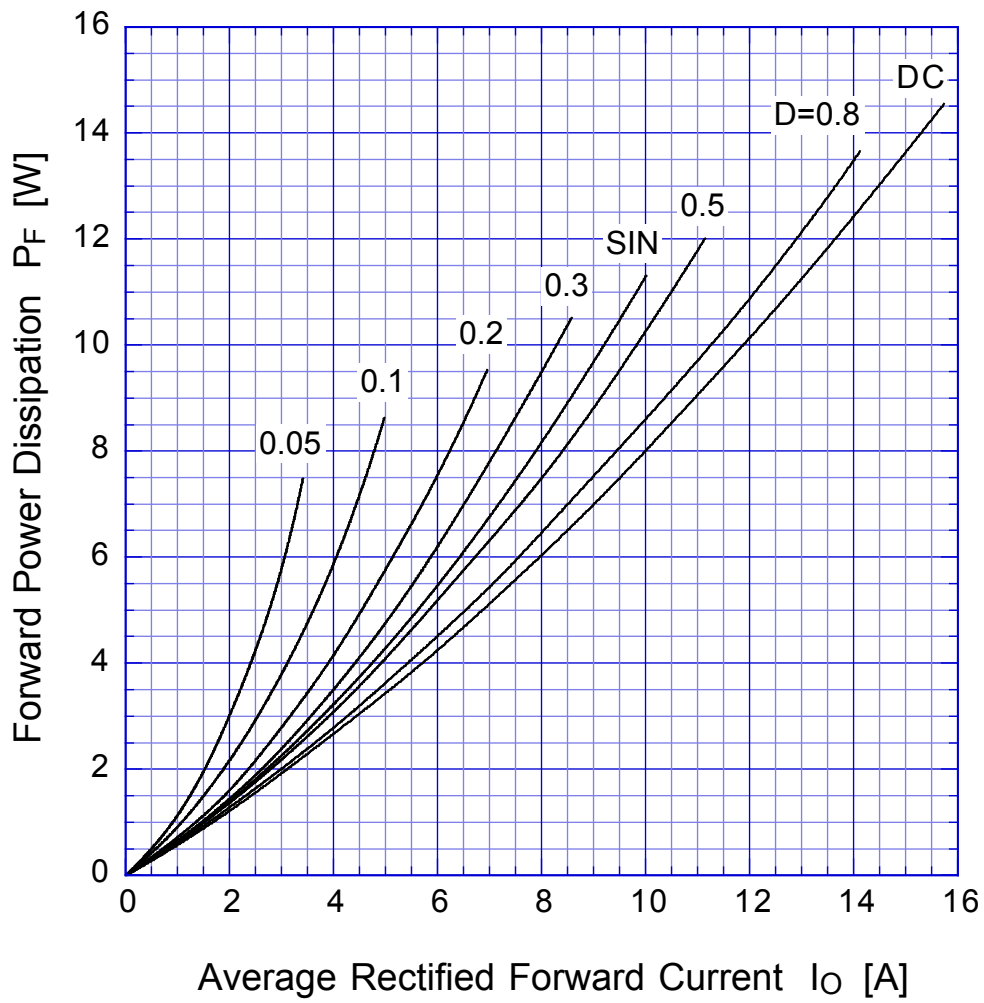
Electrical Characteristics (If not specified $T_c=25$)

Item	Symbol	Conditions	Ratings	Unit
Forward Voltage	V_F	$I_F=5A$, Pulse measurement, Rating of per diode	Max.0.98	V
Reverse Current	I_R	$V_R=V_{RM}$, Pulse measurement, Rating of per diode	Max.10	μA
Reverse Recovery Time	trr	$I_F=0.5A$, $I_R=1A$, Rating of per diode	Max.35	ns
Thermal Resistance	θ_{JC}	junction to case	Max.2	/W

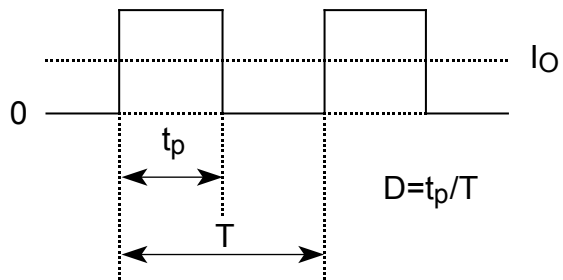
DF10LC20U Forward Voltage



DF10LC20U Forward Power Dissipation

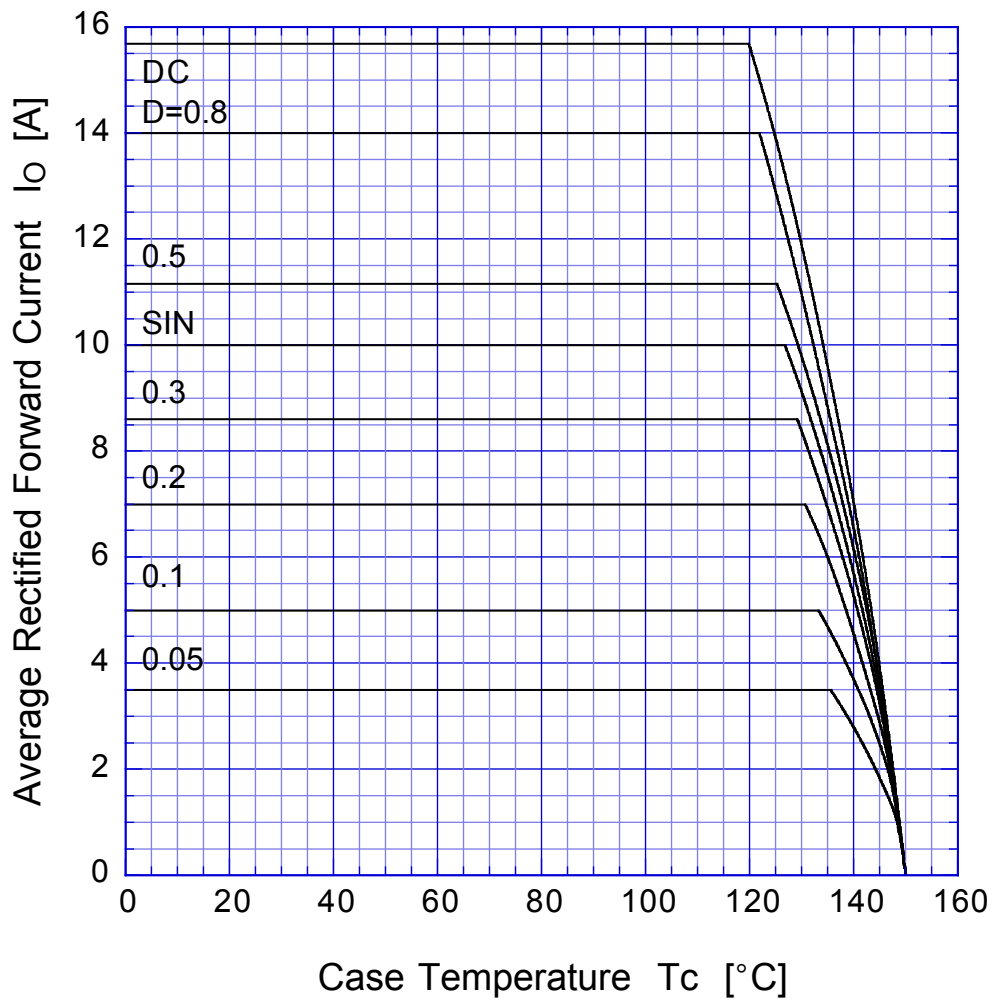


$T_j = T_{jmax}$



DF10LC20U

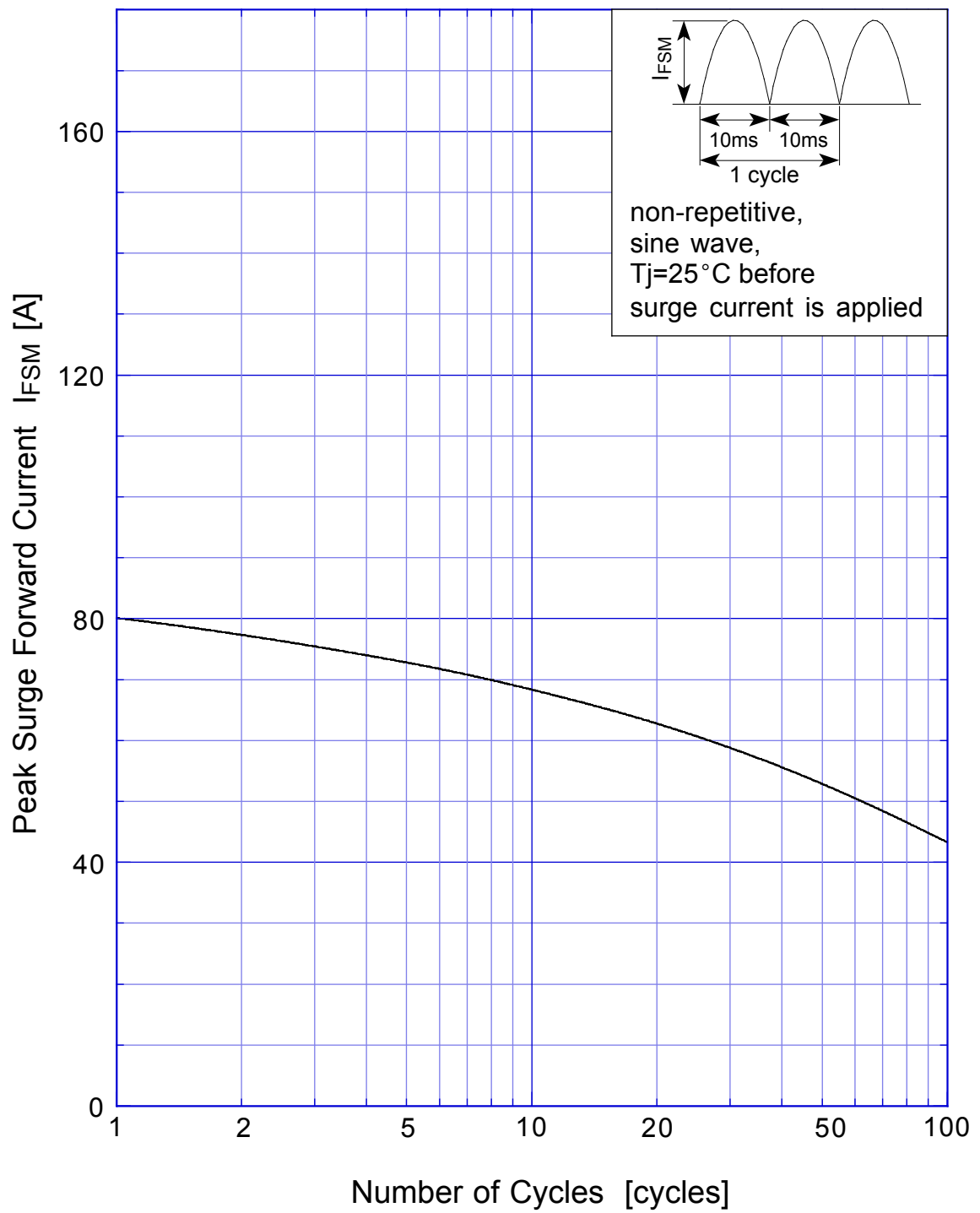
Derating Curve



$$V_R = V_{RM}$$



DF10LC20U Peak Surge Forward Capability



DF10LC20U Junction Capacitance

