

AN4558 (AN6552), AN4558S (AN6552S)

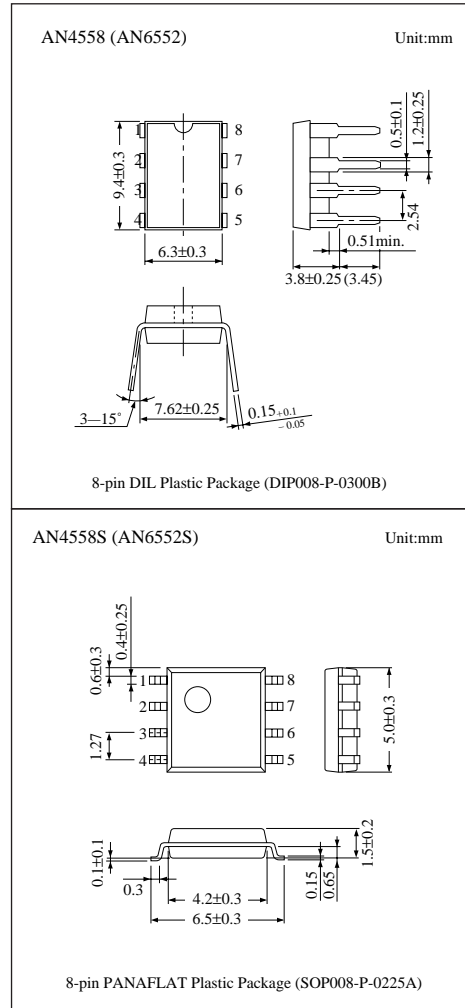
Dual Operational Amplifiers

■ Overview

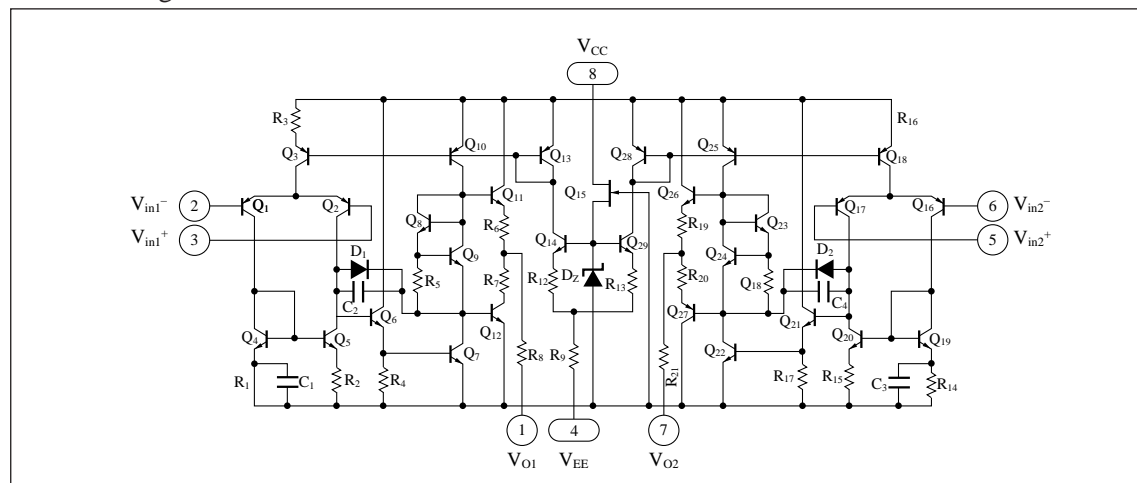
The AN4558 (AN6552) and the AN4558S (AN6552S) are dual operational amplifiers with phase compensation circuits built-in, and suitable for application to various electronic circuits such as active filters and audio preamplifiers.

■ Features

- Phase compensation circuit
- High voltage gain, low noise
- Output short-circuit protection
- Slew rate: SR=1V/μs typ.



■ Block Diagram



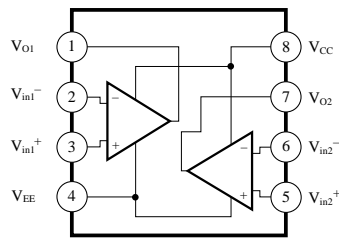
■ Absolute Maximum Ratings (Ta=25°C)

Parameter		Symbol	Rating	Unit
Voltage	Supply voltage	V_{CC}	± 18	V
	Differential input voltage	V_{ID}	± 30	V
	Common-mode input voltage	V_{ICM}	± 15	V
Power dissipation		AN4558 (AN6552)	500	mW
		AN4558S (AN6552S)	360	
Temperature	Operating ambient temperature	T_{opr}	-20 to +75	°C
	Storage temperature	AN4558 (AN6552)	-55 to +150	°C
		AN4558S (AN6552S)	-55 to +125	

■ Electrical Characteristics ($V_{CC}=15V$, $V_{EE}=-15V$, $T_a=25^\circ C$)

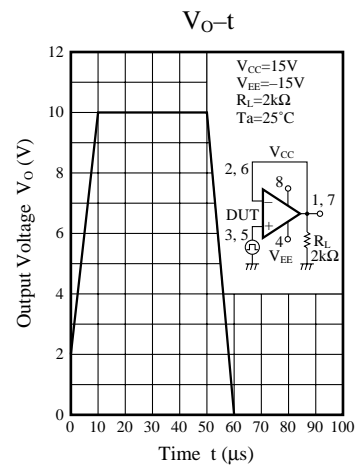
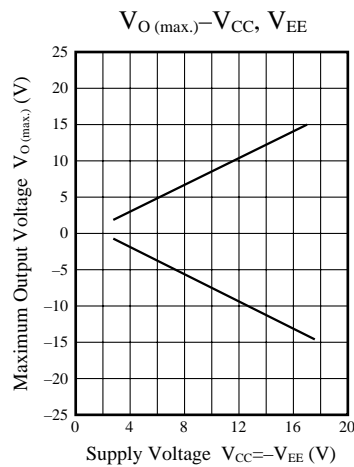
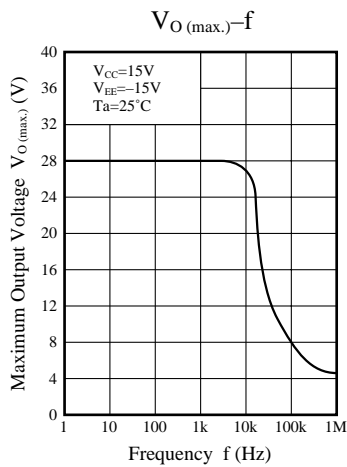
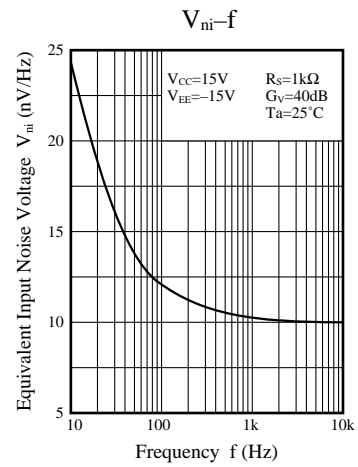
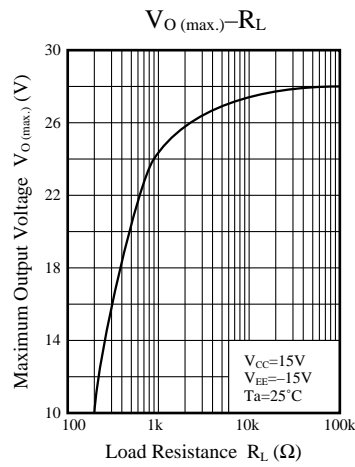
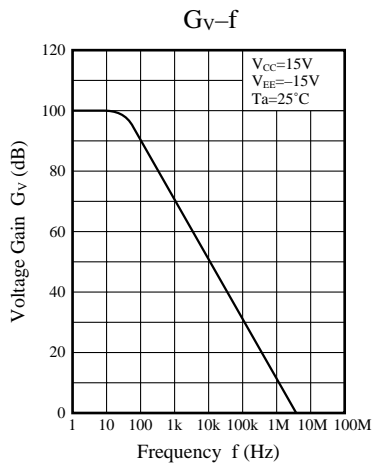
Parameter	Symbol	Condition	min	typ	max	Unit
Input offset voltage	$V_{I(\text{offset})}$	$R_S \leq 10k\Omega$	—	0.5	6	mV
Input offset current	I_{IO}		—	5	200	nA
Input bias current	I_{Bias}		—	—	500	nA
Voltage gain	G_V	$R_L \geq 2k\Omega$, $V_O = \pm 10V$	86	100	—	dB
Maximum output voltage	$V_{O(\text{max.})}$	$R_L \geq 10\Omega$	± 12	± 14	—	V
		$R_L \geq 2k\Omega$	± 10	± 13	—	V
Common-mode input voltage width	V_{CM}		± 12	± 14	—	V
Common-mode rejection ratio	CMR		70	90	—	dB
Supply voltage rejection ratio	SVR		—	30	150	$\mu V/V$
Power consumption	P_C	$R_L = \infty$	—	90	170	mW
Slew rate	SR	$R_L \geq 2k\Omega$	—	1.0	—	V/ μs
Equivalent input noise voltage	V_{ni}	$R_S = 1k\Omega$, B=10Hz to 30kHz	—	2.5	—	μV_{rms}

■ Pin Assignments

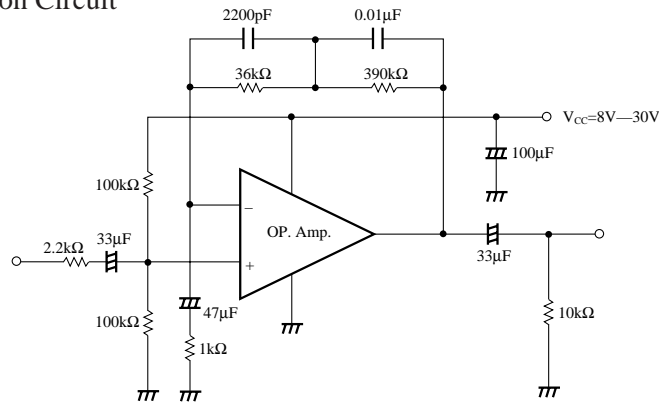


■ Pin Descriptions

Pin No.	Pin name
1	Ch.1 output
2	Ch.1 inverting input
3	Ch.1 non inverting input
4	V_{EE} (GND)
5	Ch.2 non inverting input
6	Ch.2 inverting input
7	Ch.2 output
8	V_{CC}



Application Circuit



RIAA Pre-Amp. (Single Voltage Operation)