

## CURRENT MODE SWITCHING POWER SUPPLY CONTROL CIRCUIT

- DIRECT DRIVE OF THE EXTERNAL SWITCHING TRANSISTOR
- POSITIVE AND NEGATIVE OUTPUT CURRENTS UP TO 0.5A
- CURRENT LIMITATION
- TRANSFORMER DEMAGNETIZATION AND POWER TRANSISTOR SATURATION SENSING
- FULL OVERLOAD AND SHORT-CIRCUIT PROTECTION
- PROPORTIONAL BASE CURRENT DRIVING
- LOW STANDBY CURRENT BEFORE STARTING (1.6mA)
- SYNCHRONIZATION CAPABILITY WITH INTERNAL PLL
- THERMAL PROTECTION

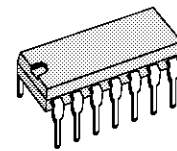
Due to its current mode regulation, the TEA2019 facilitates design of power supplies with following features :

- High stability regulation loop.
- Automatic input voltage feed-forward in discontinuous mode fly-back.
- Automatic pulse-by-pulse current limitation.

Typical applications : Video Display Units, TV sets, typewriters, micro-computers and industrial applications. For more details, see application note AN406/0591.

### DESCRIPTION

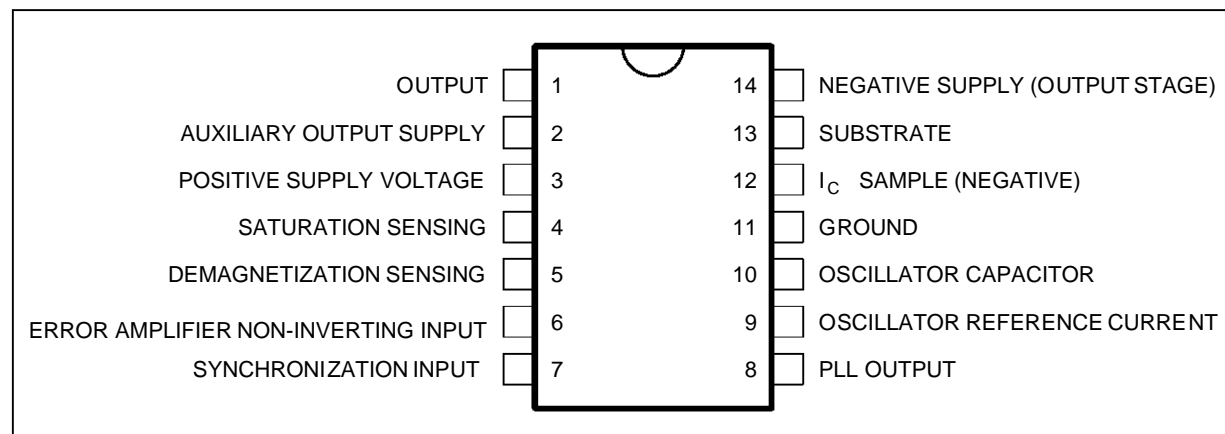
The TEA2019 is an 14-pin DIP low cost integrated circuit designed for the control of switch mode power supplies. It has the same basic functions as the TEA2018A but with synchronization capability by internal PLL. It is particularly suitable for applications where oscillator synchronization is required.



**DIP 14**  
(Plastic package)

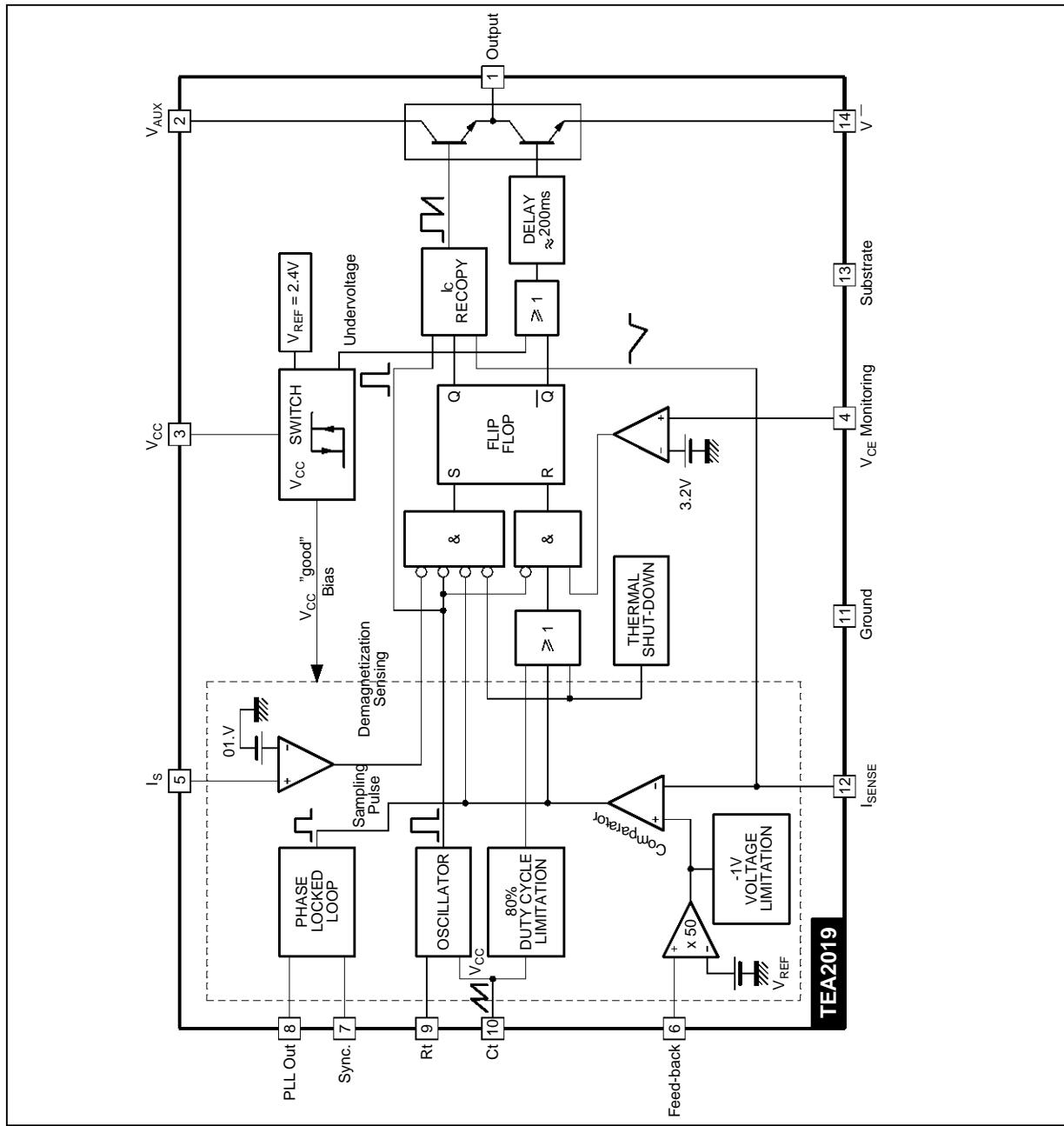
**ORDER CODE : TEA2019**

### PIN CONNECTIONS



2019-01.EPS

BLOCK DIAGRAM



2019-02.EPS

ABSOLUTE MAXIMUM RATINGS

Symbol	Parameter	Value	Unit
V <sup>+</sup> <sub>CC</sub>	Positive Supply Voltage	15	V
V <sub>(aux)</sub>	Auxiliary Output Supply Voltage	15	V
V <sup>-</sup> <sub>CC</sub>	Negative Supply Voltage	- 5	V
I <sub>O</sub> (peak)	Peak Output Current (duty cycle < 5%)	± 1	A
I <sub>I</sub>	Input Current Pins 4-5	± 5	mA
T <sub>j</sub>	Junction Temperature	150	°C
T <sub>oper</sub>	Operating Ambient Temperature Range	- 20, + 70	°C
T <sub>stg</sub>	Storage Temperature Range	- 40, + 150	°C

2019-01.TBL

## THERMAL DATA

Symbol	Parameter	Value	Unit
$R_{th(j-a)}$	Junction-ambient Thermal Resistance	80	$^{\circ}\text{C}/\text{W}$

2019-02.TBL

## ELECTRICAL OPERATING CHARACTERISTICS

$T_{amb} = +25^{\circ}\text{C}$ , potentials referenced to ground (unless otherwise specified)

Symbol	Parameter	Min.	Typ.	Max.	Unit
$V_{CC}^{+}$	Positive Supply Voltage	6.6	8	15	V
$V_{CC}$	Negative Supply Voltage	-1	-3	-5	V
$V_{CC(start)}$	Minimum positive supply voltage required for starting ( $V_{CC}^{+}$ rising)		6	6.6	V
$V_{CC(stop)}$	Minimum positive voltage below which device stops operating ( $V_{CC}^{+}$ falling)	4.2	4.9	5.6	V
$\Delta V_{CC}^{+}$	Hysteresis on $V_{CC}^{+}$ Threshold	0.7	1.1	1.6	V
$I_{CC(sb)}$	Standby Supply Current Before Starting [ $V_{CC}^{+} < V_{CC(start)}$ ]		1	1.6	mA
$V_{th(Ic)}$	Current Limitation Threshold Voltage (pin 12)	-1100	-1000	-880	mV
$R_{(Ic)}$	Collector Current Sensing Input Resistance		1000		$\Omega$
$I_s$	Demagnetization Sensing Threshold	75	100	125	mV
	Demagnetization Sensing Input Current (pin 5 grounded)		1		$\mu\text{A}$
$\tau_{max}$	Maximum Duty Cycle	70	80		%
$A_v$	Error Amplifier Gain		50		
$I_1^{+}$	Error Amplifier Input Current (non-inverting input) (pin 6)		2		$\mu\text{A}$
$V_{(REF)}$	Internal Reference Voltage	2.3	2.4	2.5	V
$\frac{\Delta V_{(REF)}}{\Delta T}$	Reference Voltage Temperature Drift		$10^{-4}$		$\text{V}/^{\circ}\text{C}$
$T_{OSC}$	Oscillator Free-running Period ( $R = 59\text{k}\Omega$ , $C = 1.5\text{nF}$ )	60	65	70	$\mu\text{s}$
$\frac{\Delta f_{OSC}}{\Delta T}$	Oscillator Frequency Drift with Temperature ( $V_{CC}^{+} = +8\text{V}$ )		0.05		$\%/^{\circ}\text{C}$
$\frac{\Delta f_{OSC}}{\Delta V_{CC}}$	Oscillator Frequency Drift with $V_{CC}^{+}$ ( $+8\text{V} < V_{CC}^{+} < +14\text{V}$ )		0.5		$\%/V$
$t_{on(min)}$	Minimum Conducting Time ( $C_t = 1\text{nF}$ )		2		$\mu\text{s}$

2019-03.TBL

## SYNCHRONIZATION INPUT (pin 7)

Symbol	Parameter	Min.	Typ.	Max.	Unit
$V_{7pp}$	Peak to Peak Sawtooth Voltage		0.5	2.5	V
$R_{(7)}$	Input Impedance		20		$\text{k}\Omega$

2019-04.TBL

## PLL CHARACTERISTICS (see Test Circuit)

Symbol	Parameter	Min.	Typ.	Max.	Unit
	Frequency Sensitivity		100		$\text{Hz}/\mu\text{A}$
$\Delta T$	Capture Range ( $T_{OSC} = 64\mu\text{s}$ Typ.) $T_{SYN max} - T_{OSC}$	$T_{OSC} - T_{SYN min}$ 5.5 4.5	8 8		$\mu\text{s}$ $\mu\text{s}$

2019-05.TBL

## SATURATION SENSING (pin 4)

Symbol	Parameter	Min.	Typ.	Max.	Unit
$V_{(4)}$	Input Threshold		3.2		V
$I_{(4)}$	Input Current ( $V_4 > 3.2\text{V}$ )	50			$\mu\text{A}$
	Input Internal Resistance		1		$\text{k}\Omega$

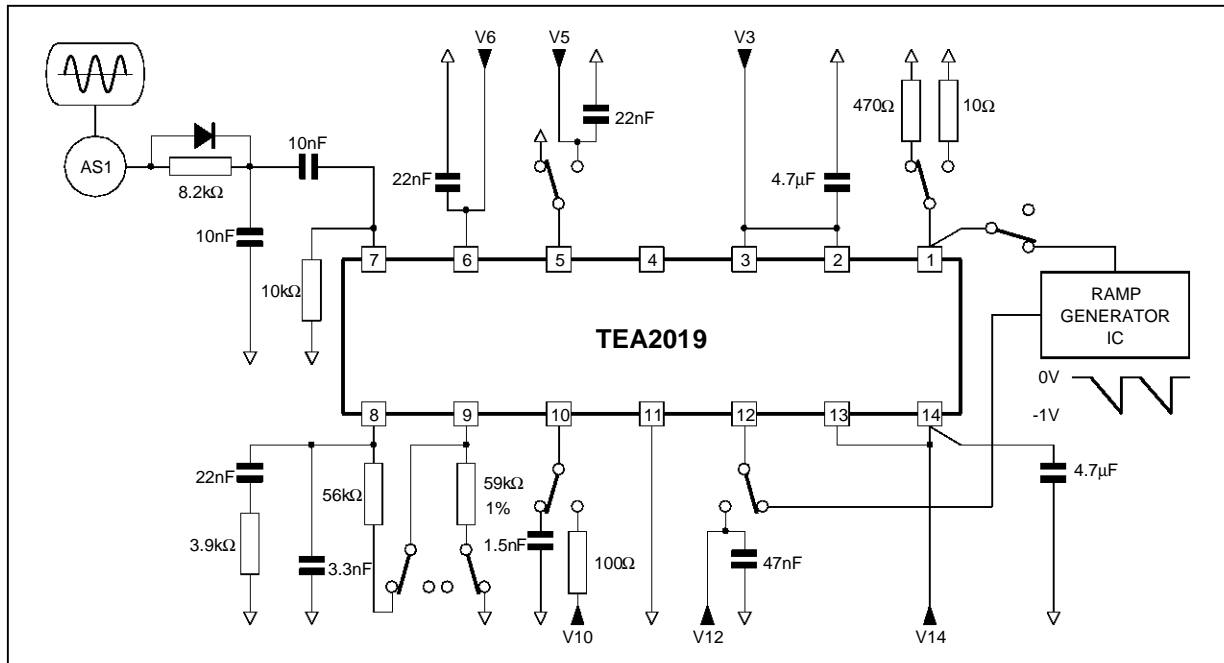
2019-06.TBL

## RECOMMENDED OPERATING CONDITIONS

Symbol	Parameter	Min.	Typ.	Max.	Unit
$V_{CC}^{+}$	Positive Supply Voltage		8		V
$V_{CC}$	Negative Supply Voltage		3		V
$I_o$	Output Current			0.5	A
$F_{oper}$	Operating Frequency		30		$\text{kHz}$

2019-07.TBL

TYPICAL CIRCUIT



2019-03.EPS

GENERAL DESCRIPTION

(see application note AN406/0591)

Operating Principles (Figure 1)

On every period, the beginning of the conduction time of the transistor is triggered by the fall of the oscillator saw-tooth which acts as clock signal. The period  $T_{osc}$  is given by :

$$T_{osc} \approx 0.69 C_t (R_t + 2000)$$

( $T_{osc}$  in seconds,  $C_t$  in Farad,  $R_t$  in  $\Omega$ )

The end of the conduction time is determined by a signal issued from comparing the following signals.

- the sawtooth waveform representing the collector current of the switching transistor, sampled across the emitter shunt resistor.
- the output of the error amplifier.

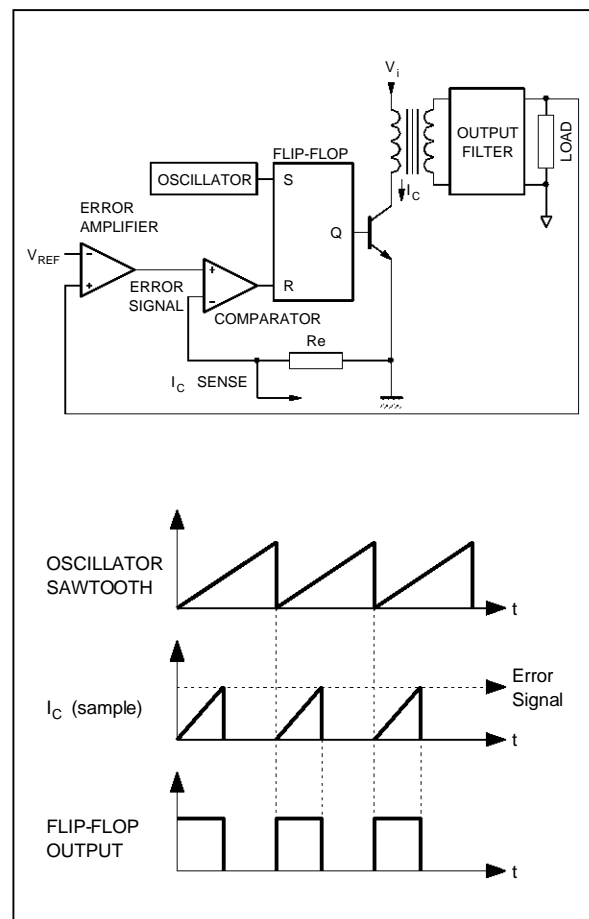
Base Drive

- Fast turn-on  
On each period, a current pulse ensures fast transistor switch-on. This pulse performs also the  $t_{on(min)}$  function at the beginning of the conduction.
- Proportional base drive  
In order to save power, the positive base current after the starting pulse becomes an image of the collector current.

The ratio  $\frac{I_C}{I_B}$  is programmed as follows (Figure 2).

$$\frac{I_C}{I_B} = \frac{R_B}{R_E}$$

Figure 1 : Current Mode Control



2019-05.EPS / 2019-04.EPS

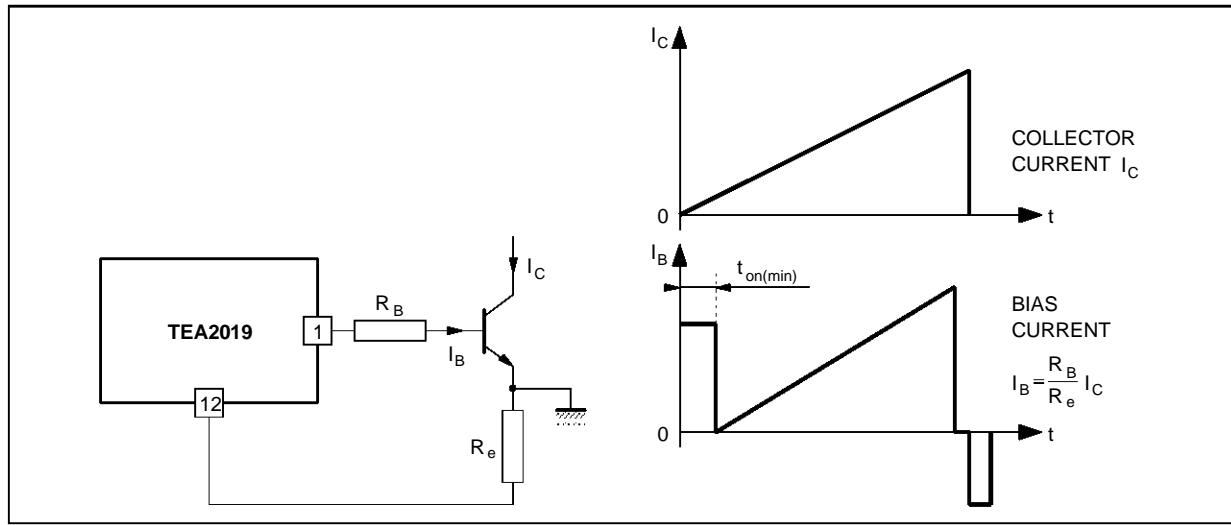
- **Efficient and fast switch-off**  
When the positive base drive is removed, 1s (typically) will elapse before the application of negative current therefore allowing a safe and rapid collector current fall.

**Safety Functions**

- **Overload & short-circuit protection**  
When the voltage applied to pin 12 exceeds the current limitation threshold voltage  $[V_{th(I_C)}]$ , the output flip-flop is reset and the transistor is turned off.  
The shunt resistor  $R_e$  must be calculated so as to obtain the current limitation threshold on pin 12 at the maximum allowable collector current.

- **Demagnetization sensing**  
This function disables any new conduction cycle of the transistor as long as the core is not completely demagnetized.  
When not used, pin 5 must be grounded.
- $t_{on(max)}$   
Outside the regulation area and in the absence of current limitation, the maximum conduction time is set at about 70% of the period.
- $t_{on(min)}$   
A minimum conducting time is ensured during each period (see Figure 2).
- **Supply voltage monitoring**  
The TEA2019 will stop operating if  $V_{CC+}$  on Pin 3 falls below the threshold level  $V_{CC(stop)}$ .

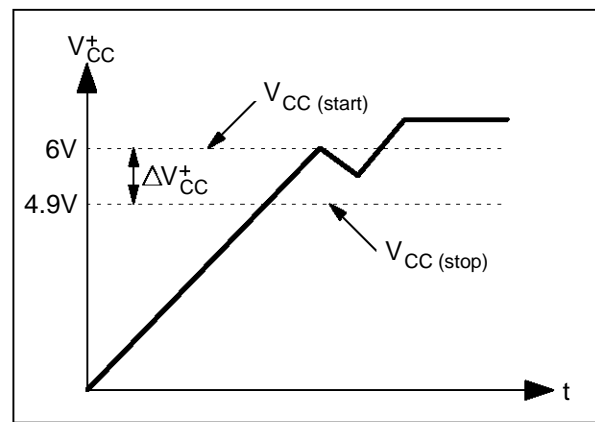
**Figure 2**



**Starting Process (Figure 3)**

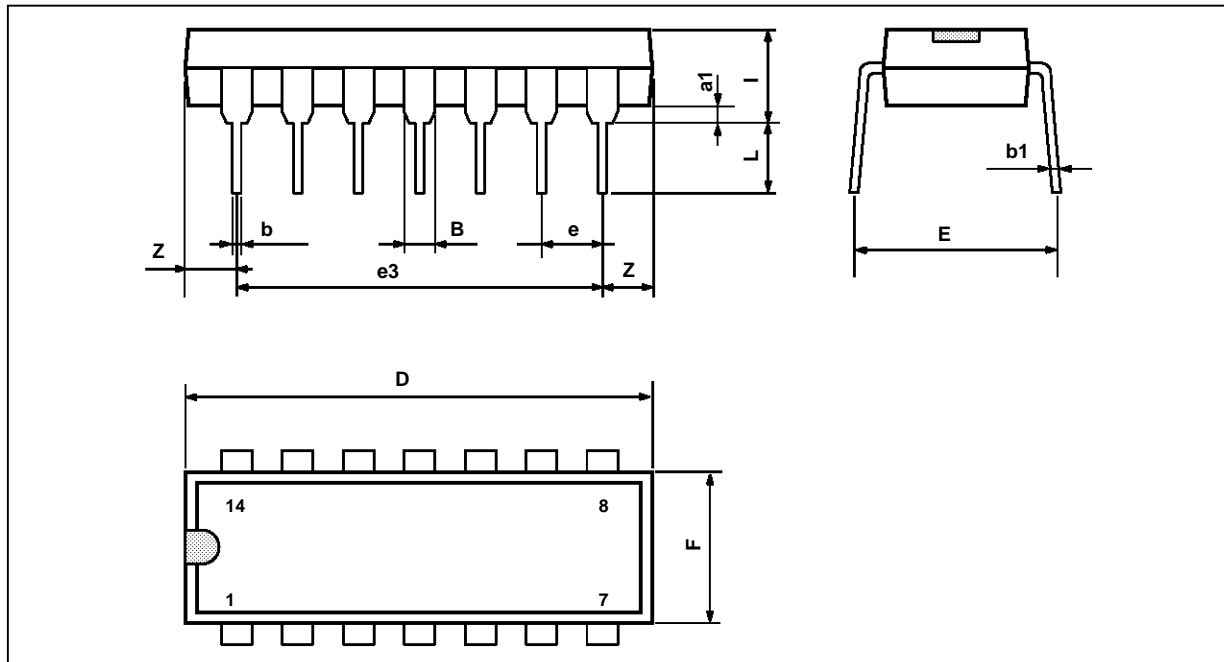
Prior to starting, a low current is drawn from the high voltage source through a high value resistor. This current charges the power supply storage capacitor of the device.  
No output pulses are available before the voltage on pin 3 has reached the threshold level  $[V_{CC(start)}, V_{CC}^+$  rising].  
During this time the TEA2019 draws only 1mA (typically). When the voltage on pin 3 reaches this threshold base drive pulses appear.  
The energy drawn by these pulses tends to discharge the power supply storage capacitor. However a hysteresis of about 1.1V (typically) ( $\Delta V_{CC}$ ) is implemented to avoid the device from stopping.

**Figure 3 : Normal TEA2019 Start up Sequence**





**PACKAGE MECHANICAL DATA**  
14 PINS - PLASTIC DIP



PM-DIP14.EPS

Dimensions	Millimeters			Inches		
	Min.	Typ.	Max.	Min.	Typ.	Max.
a1	0.51			0.020		
B	1.39		1.65	0.055		0.065
b		0.5			0.020	
b1		0.25			0.010	
D			20			0.787
E		8.5			0.335	
e		2.54			0.100	
e3		15.24			0.600	
F			7.1			0.280
i			5.1			0.201
L		3.3			0.130	
Z	1.27		2.54	0.050		0.100

DIP14.TBL

Information furnished is believed to be accurate and reliable. However, SGS-THOMSON Microelectronics assumes no responsibility for the consequences of use of such information nor for any infringement of patents or other rights of third parties which may result from its use. No licence is granted by implication or otherwise under any patent or patent rights of SGS-THOMSON Microelectronics. Specifications mentioned in this publication are subject to change without notice. This publication supersedes and replaces all information previously supplied. SGS-THOMSON Microelectronics products are not authorized for use as critical components in life support devices or systems without express written approval of SGS-THOMSON Microelectronics.

© 1994 SGS-THOMSON Microelectronics - All Rights Reserved

Purchase of I<sup>2</sup>C Components of SGS-THOMSON Microelectronics, conveys a license under the Philips I<sup>2</sup>C Patent. Rights to use these components in a I<sup>2</sup>C system, is granted provided that the system conforms to the I<sup>2</sup>C Standard Specifications as defined by Philips.

SGS-THOMSON Microelectronics GROUP OF COMPANIES

Australia - Brazil - China - France - Germany - Hong Kong - Italy - Japan - Korea - Malaysia - Malta - Morocco  
The Netherlands - Singapore - Spain - Sweden - Switzerland - Taiwan - Thailand - United Kingdom - U.S.A.