

TOSHIBA CMOS DIGITAL INTEGRATED CIRCUIT SILICON MONOLITHIC

TC74HCT240AP, TC74HCT240AF, TC74HCT240AFW
TC74HCT244AP, TC74HCT244AF, TC74HCT244AFW

OCTAL BUS BUFFER WITH TTL INPUT LEVEL
TC74HCT240AP/AF/AFW INVERTED, 3 – STATE OUTPUTS
TC74HCT244AP/AF/AFW NON – INVERTED, 3 – STATE OUTPUTS

(Note) The JEDEC SOP (FW) is not available in Japan.

The TC74HCT240A, and HCT244A are high speed CMOS OCTAL BUS BUFFERS fabricated with silicon gate C²MOS technology.

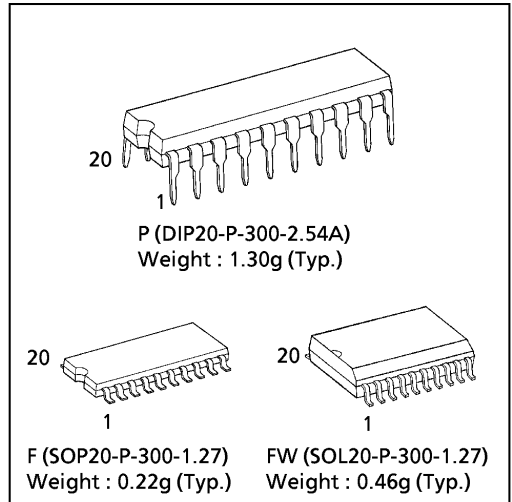
They achieve the high speed operation similar to equivalent LSTTL while maintaining the CMOS low power dissipation. Their inputs are compatible with TTL, NMOS, and CMOS output voltage levels. The TC74HCT240A is an inverting 3-state buffer having two active - low output enables. The TC74HCT244A is non-inverting 3-state buffer the HCT244A has two active - low output enables.

These devices are designed to be used with 3-state memory address drivers, etc.

All inputs are equipped with protection circuits against static discharge or transient excess voltage.

FEATURES :

- High Speed..... $t_{pd} = 13ns(\text{typ.})$ at $V_{CC} = 5V$
- Low Power Dissipation..... $I_{CC} = 4\mu A(\text{Max.})$ at $T_a = 25^\circ C$
- Compatible with TTL outputs.... $V_{IL} = 0.8V(\text{Max.})$
 $V_{IH} = 2.0V(\text{Min.})$
- Wide Interfacing ability.....LSTTL, NMOS, CMOS
- Output Drive Capability.....15 LSTTL Loads
- Symmetrical Output Impedance... $|I_{OH}| = I_{OL} = 6mA(\text{Min.})$
- Balanced Propagation Delays.... $t_{pLH} \approx t_{pHL}$
- Wide Operating Voltage Range... $V_{CC} (\text{opr.}) = 2V \sim 6V$
- Pin and Function Compatible with 74LS 240 / 244

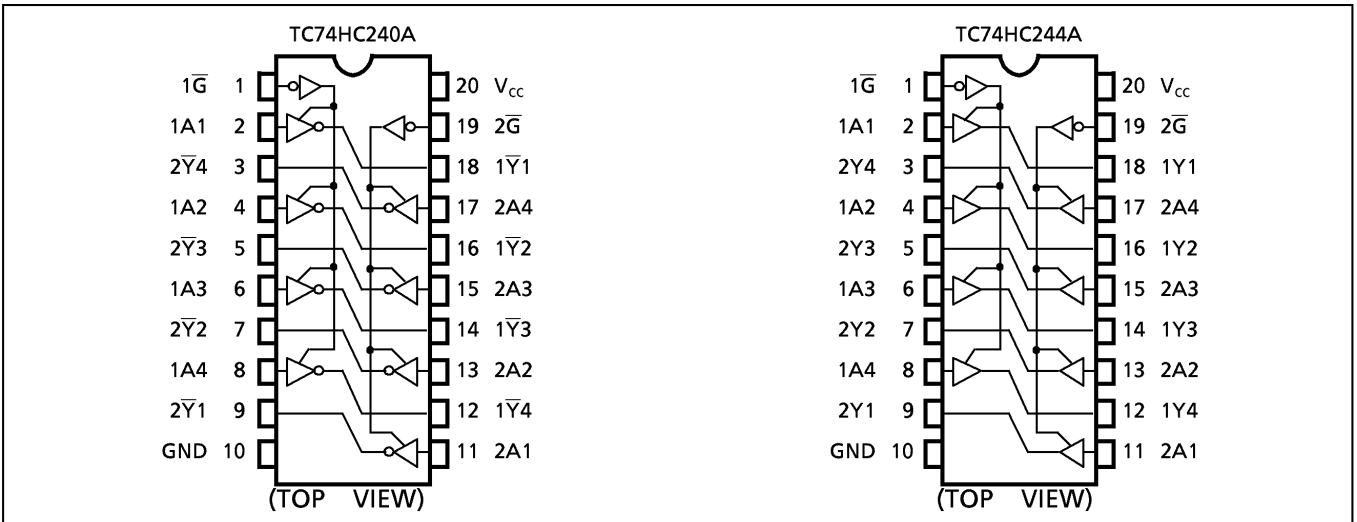


TRUTH TABLE

INPUTS		OUTPUTS	
\bar{G}	A_n	Y_n	$\bar{Y}_n^{\Delta\Delta}$
L	L	L	H
L	H	H	L
H	X	Z	Z

$\Delta\Delta$: for TC74HCT240A only
X : Don't Care
Z : High Impedance

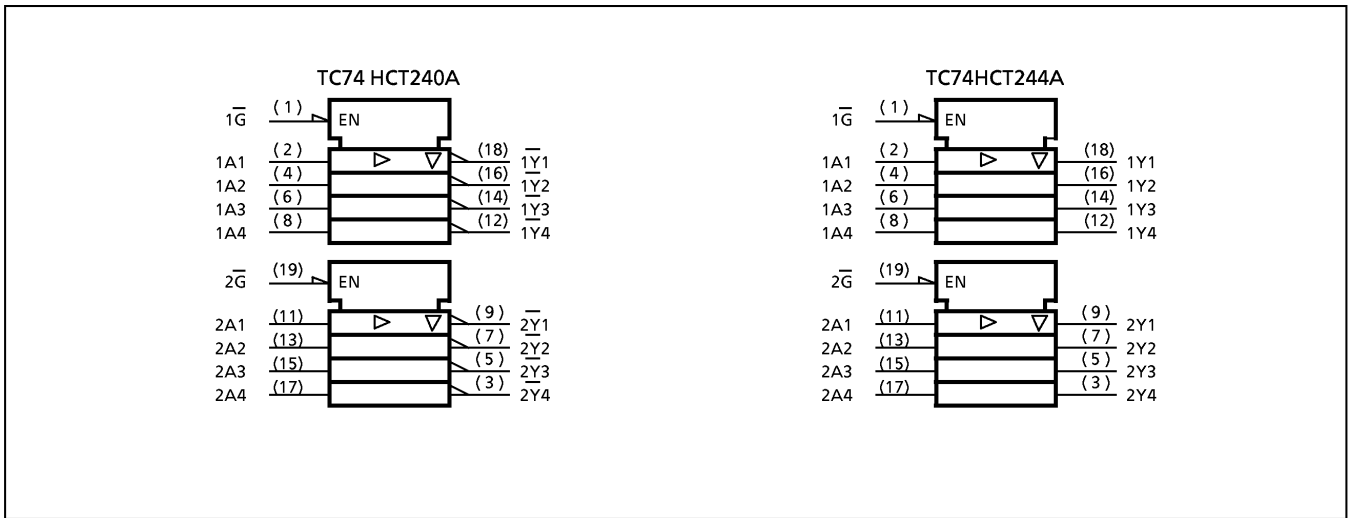
PIN ASSIGNMENT



980508EBA2

● TOSHIBA is continually working to improve the quality and the reliability of its products. Nevertheless, semiconductor devices in general can malfunction or fail due to their inherent electrical sensitivity and vulnerability to physical stress. It is the responsibility of the buyer, when utilizing TOSHIBA products, to observe standards of safety, and to avoid situations in which a malfunction or failure of a TOSHIBA product could cause loss of human life, bodily injury or damage to property. In developing your designs, please ensure that TOSHIBA products are used within specified operating ranges as set forth in the most recent products specifications. Also, please keep in mind the precautions and conditions set forth in the TOSHIBA Semiconductor Reliability Handbook.

IEC LOGIC SYMBOL



980508EBA2'

- The products described in this document are subject to foreign exchange and foreign trade laws.
- The information contained herein is presented only as a guide for the applications of our products. No responsibility is assumed by TOSHIBA CORPORATION for any infringements of intellectual property or other rights of the third parties which may result from its use. No license is granted by implication or otherwise under any intellectual property or other rights of TOSHIBA CORPORATION or others.
- The information contained herein is subject to change without notice.

ABSOLUTE MAXIMUM RATINGS

PARAMETER	SYMBOL	VALUE	UNIT
Supply Voltage Range	V_{CC}	-0.5~7	V
DC Input Voltage	V_{IN}	-0.5~ $V_{CC} + 0.5$	V
DC Output Voltage	V_{OUT}	-0.5~ $V_{CC} + 0.5$	V
Input Diode Current	I_{IK}	±20	mA
Output Diode Current	I_{OK}	±20	mA
DC Output Current	I_{OUT}	±35	mA
DC V_{CC} / Ground Current	I_{CC}	±75	mA
Power Dissipation	P_D	500 (DIP)* / 180 (SOP)	mW
Storage Temperature	T_{stg}	-65~150	°C

*500mW in the range of $T_a = -40^{\circ}\text{C} \sim 65^{\circ}\text{C}$. From $T_a = 65^{\circ}\text{C}$ to 85°C a derating factor of $-10\text{mW}/^{\circ}\text{C}$ shall be applied until 300mW.

RECOMMENDED OPERATING CONDITIONS

PARAMETER	SYMBOL	VALUE	UNIT
Supply Voltage	V_{CC}	4.5~5.5	V
Input Voltage	V_{IN}	0~ V_{CC}	V
Output Voltage	V_{OUT}	0~ V_{CC}	V
Operating Temperature	T_{opr}	-40~85	°C
Input Rise and Fall Time	t_r, t_f	0~500	ns

DC ELECTRICAL CHARACTERISTICS

PARAMETER	SYMBOL	TEST CONDITION	V_{CC} (V)	$T_a = 25^{\circ}\text{C}$			$T_a = -40 \sim 85^{\circ}\text{C}$		UNIT	
				MIN.	TYP.	MAX.	MIN.	MAX.		
High - Level Input Voltage	V_{IH}		4.5 ┆ 5.5	2.0	—	—	2.0	—	V	
Low - Level Input Voltage	V_{IL}		4.5 ┆ 5.5	—	—	0.8	—	0.8	V	
High - Level Output Voltage	V_{OH}	$V_{IN} = V_{IH}$ or V_{IL}	$I_{OH} = -20 \mu\text{A}$	4.5	4.4	4.5	—	4.4	—	V
			$I_{OH} = -6 \text{ mA}$	4.5	4.18	4.31	—	4.13	—	
Low - Level Output Voltage	V_{OL}	$V_{IN} = V_{IH}$ or V_{IL}	$I_{OL} = 20 \mu\text{A}$	4.5	—	0.0	0.1	—	0.1	V
			$I_{OL} = 6 \text{ mA}$	4.5	—	0.17	0.26	—	0.33	
3 - State Output Off - State Current	I_{OZ}	$V_{IN} = V_{IH}$ or V_{IL} $V_{OUT} = V_{CC}$ or GND	5.5	—	—	±0.5	—	±5.0	μA	
Input Leakage Current	I_{IN}	$V_{IN} = V_{CC}$ or GND	5.5	—	—	±0.1	—	±1.0		
Quiescent Supply Current	I_{CC}	$V_{IN} = V_{CC}$ or GND	5.5	—	—	4.0	—	40.0		
	I_C	Per input: $V_{IN} = 0.5\text{V}$ or 2.4V Other input: V_{CC} or GND	5.5	—	—	2.0	—	2.9	mA	

AC ELECTRICAL CHARACTERISTICS (Input $t_r = t_f = 6\text{ns}$)

PARAMETER	SYMBOL	TEST CONDITION	CL (pF)	V _{CC} (V)	Ta = 25°C			Ta = -40~85°C		UNIT
					MIN.	TYP.	MAX.	MIN.	MAX.	
Output Transition Time	t_{TLH} t_{THL}		50	4.5	—	7	12	—	15	ns
				5.5	—	6	11	—	14	
Propagation Delay Time *	t_{pLH}		50	4.5	—	15	22	—	28	
				5.5	—	13	20	—	25	
	t_{pHL}		150	4.5	—	21	30	—	38	
				5.5	—	16	27	—	34	
Propagation Delay Time **	t_{pLH}		50	4.5	—	15	25	—	31	
				5.5	—	13	22	—	28	
	t_{pHL}		150	4.5	—	21	33	—	41	
				5.5	—	18	29	—	37	
3-State Output Enable time	t_{pZL}	$R_L = 1\text{k}\Omega$	50	4.5	—	17	30	—	38	
				5.5	—	14	27	—	34	
	t_{pZH}		150	4.5	—	23	38	—	48	
				5.5	—	20	34	—	43	
3-State Output Disable time	t_{pLZ} t_{pHZ}	$R_L = 1\text{k}\Omega$	50	4.5	—	16	30	—	38	
				5.5	—	13	27	—	34	
Input Capacitance	C_{IN}				—	5	10	—	pF	
Output Capacitance	C_{OUT}				—	10	—	—		
Power Dissipation Capacitance (Note 1)	C_{PD}	*			—	33	—	—		
		**			—	31	—	—		

Note1: C_{PD} is defined as the value of the internal equivalent capacitance which is calculated from the operating current consumption without load.

Average operating current can be obtained by the equation :

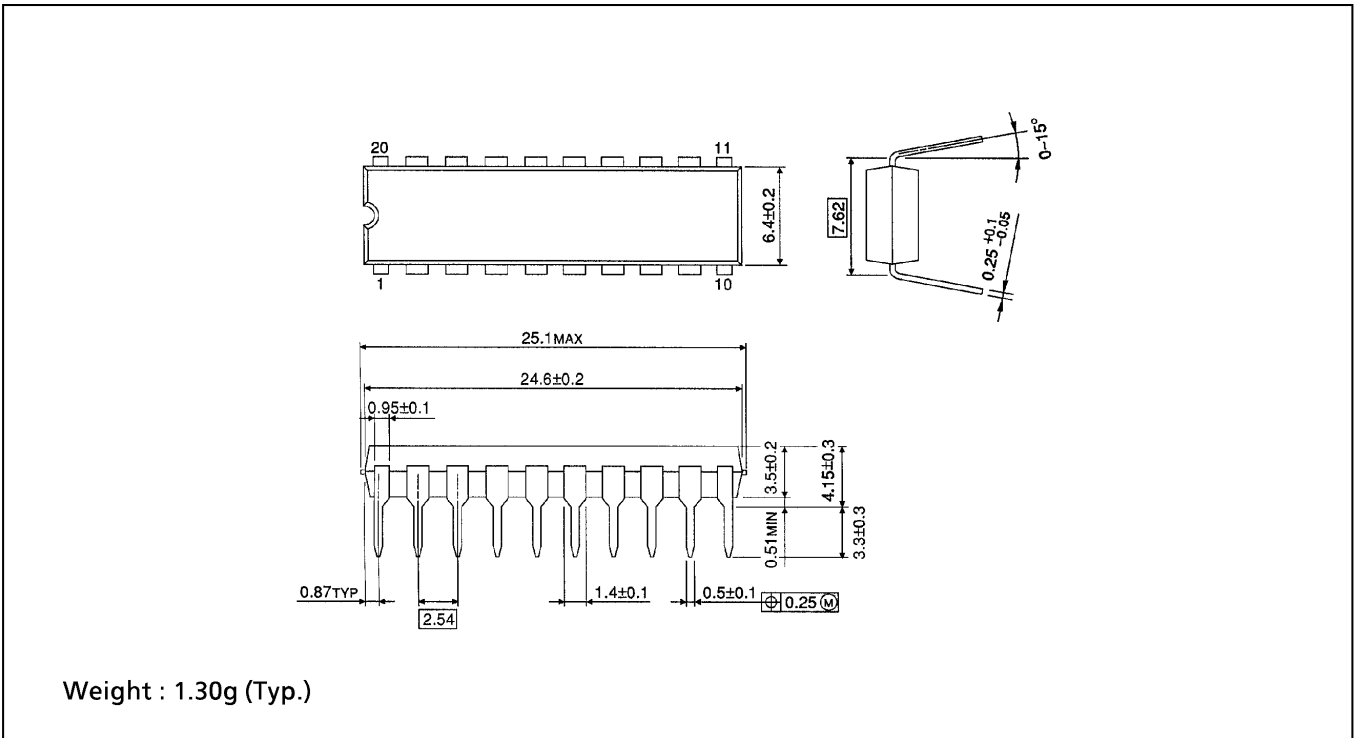
$$I_{CC}(\text{opr}) = C_{PD} \cdot V_{CC} \cdot f_{IN} + I_{CC} / 8 \text{ (per bit)}$$

Note2: * = TC74HCT240A

** = TC74HCT244A

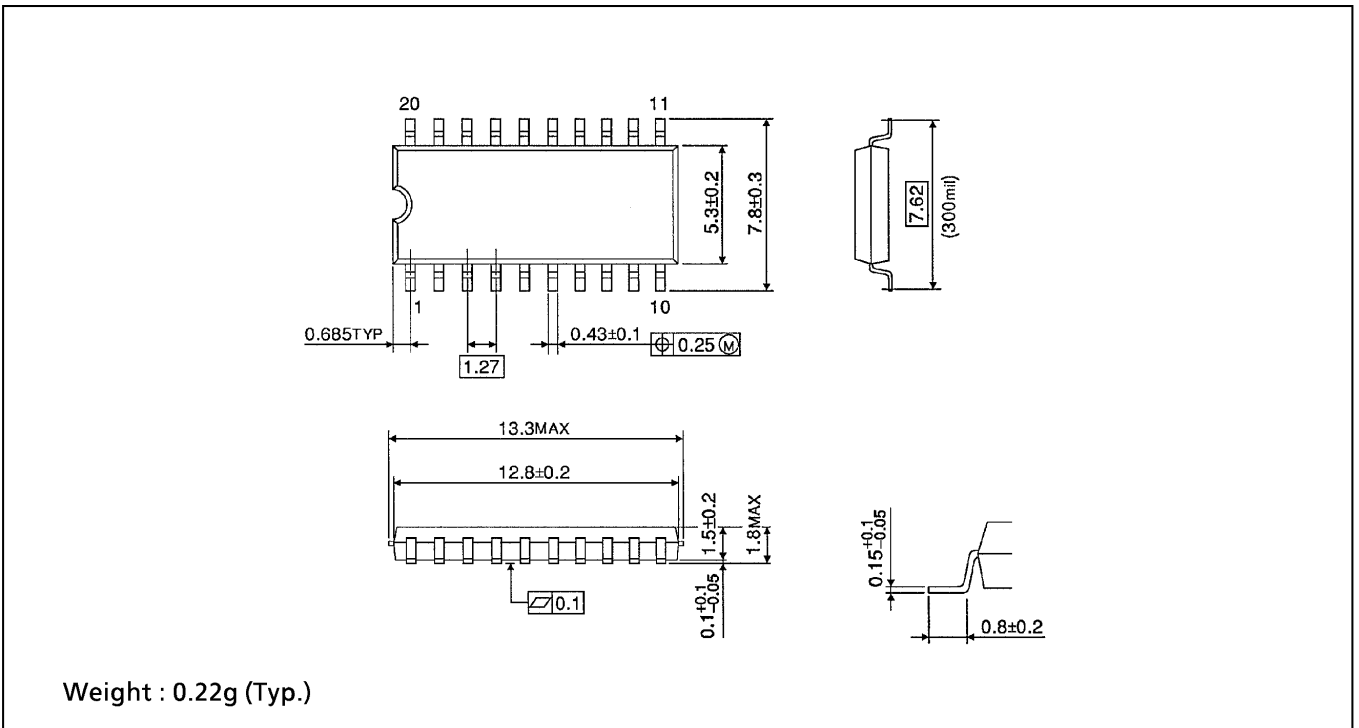
DIP 20PIN OUTLINE DRAWING (DIP20-P-300-2.54A)

Unit in mm



SOP 20PIN (200mil BODY) OUTLINE DRAWING (SOP20-P-300-1.27)

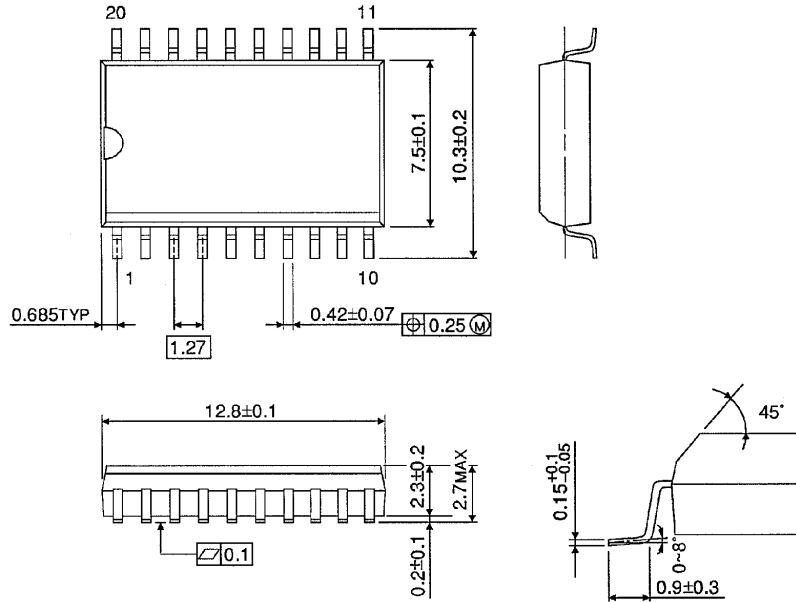
Unit in mm



SOP 20PIN (300mil BODY) OUTLINE DRAWING (SOL20-P-300-1.27)

Unit in mm

(Note) This package is not available in Japan.



Weight : 0.46g (Typ.)