



System Clock Chip

General Description

The **ICS9169C-40** is a Clock Synthesizer chip for Pentium or Cyrix CPU based motherboards using PCI.

Features include eight CPU clocks and six PCI clocks. A Reference Output is available equal to the crystal frequency. The device meets the Pentium power-up stabilization, which requires that CPU and PCI clocks be stable within 2ms after power-up.

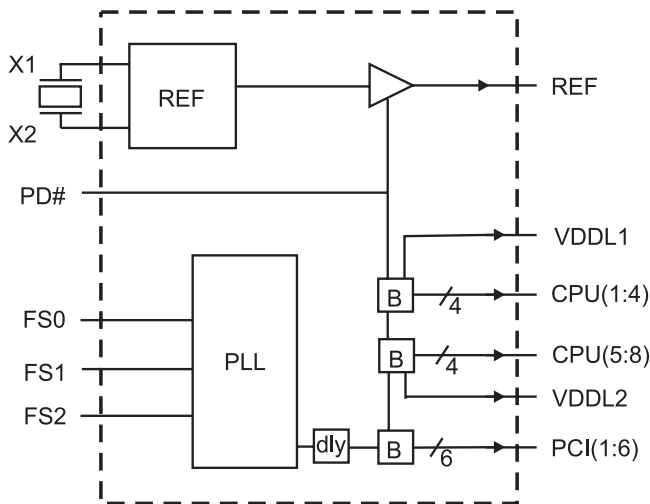
The **ICS9169C-40** clock output are designed for low EMI emissions. Controlled rise and fall times, unique output driver circuits and innovative circuit layout techniques enable the **ICS9169C-40** to have lower EMI than other clock devices.

The **ICS9169C-40** accepts a 14.318MHz reference crystal or clock as its input and runs from a 3.3V supply.

Features

- 8 selectable CPU clocks up to 75MHz
- Six synchronous PCI clocks
- One Reference Clock at 14.318MHz
- Power-up stabilization time = 2ms on all CPU and PCI clocks, which meets Intel PentiumPro power-up
- Low CPU and PCI clock jitter <500ps
- Low skew output
- Improved output drivers are designed for low EMI
- Test Mode
- Optional common or mixed supply mode:
(VDD=VDDL1=VDDL2=3.3V)
(VDD=3.3V, VDDL1=VDDL2=2.5)
(VDD=3.3V, VDDL1=3.3V, VDDL2=2.5V)
- Space saving and low cost 34-pin SSOP package

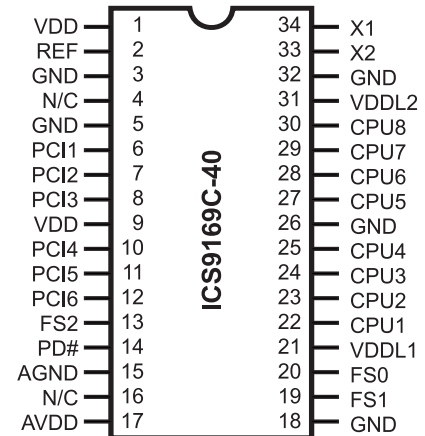
Block Diagram



Functionality

3.3V±10%, 0-70°C
Crystal (X1, X2) = 14.31818 MHz

Pin Configuration



34-Pin SSOP

FS2	FS1	FS0	CPU	PCI
0	0	0	50MHz	33.3MHz
0	0	1	55MHz	36.67MHz
0	1	0	REF/2	REF/4
0	1	1	75MHz	37.5MHz
1	0	0	50MHz	25MHz
1	0	1	55MHz	27.6MHz
1	1	0	60MHz	30MHz
1	1	1	66.6MHz	33.3MHz

Pentium is a trademark on Intel Corporation.



Pin Descriptions

PIN NUMBER	PIN NAME	TYPE	DESCRIPTION
1, 9	VDD	PWR	Power supply
2	REF	OUT	Buffered output reference. 3.3V
3, 5, 18, 26, 32	GND	PWR	Digital Ground.
4	N/C	-	Not connected.
6, 7, 8, 10, 11, 12	PCI (1:6)	OUT	Clock outputs - controlled by 3.3V VDD
13, 19, 20	FS (0:2)	IN	Frequency select inputs, these inputs have internal pull-ups.
14	PD#	IN	Input for tristate. If PD# = 0, then all outputs are tristated and the device is in shutdown mode (VCO's off, crystal oscillator is off and all logic is reset) When PD# = 1, the device is in normal operating mode. Has internal pull-up
15	AGND	PWR	Analog Ground
16	N/C	-	Not connected
17	AVDD	PWR	Analog Power Supply
21	VDDL1	PWR	3.3/2.5V Power Supply for CPU (1:4)
22, 23, 24, 25, 27, 28, 29, 30	CPU (1:8)	OUT	Clock outputs.
31	VDDL2	PWR	3.3/2.5V Power Supply for CPU (5:8)
33	X2	OUT	Reference oscillator
34	X1	IN	Reference oscillator



Absolute Maximum Ratings

Supply Voltage	7.0 V
Logic Inputs	GND–0.5 V to V _{DD} +0.5 V
Ambient Operating Temperature	0°C to +70°C
Storage Temperature	–65°C to +150°C

Stresses above those listed under *Absolute Maximum Ratings* may cause permanent damage to the device. These ratings are stress specifications only and functional operation of the device at these or any other conditions above those listed in the operational sections of the specifications is not implied. Exposure to absolute maximum rating conditions for extended periods may affect product reliability.

Electrical Characteristics at 3.3V

V_{DD} = 3.0 – 3.7 V, T_A = 0 – 70°C unless otherwise stated

DC Characteristics						
PARAMETER	SYMBOL	TEST CONDITIONS	MIN	TYP	MAX	UNITS
Input Low Voltage	V _{IL}		-	-	0.2V _{DD}	V
Input High Voltage	V _{IH}		0.7V _{DD}	-	-	V
Input Low Current	I _{IL}	V _{IN} =0V	-50.0	25.0	50	μA
Input High Current	I _{IH}	V _{IN} =V _{DD}	-5.0	-	5.0	μA
Output Low Voltage ¹	V _{OL}	I _{OL} =12mA; for CPU, PCI	-	0.3	0.4	V
Output High Voltage ¹	V _{OH}	I _{OH} =-12mA; for CPU, PCI	2.4	2.8	-	V
Output Low Voltage ¹	V _{OL}	I _{OL} =7.5mA; for Ref CLK	-	0.3	0.4	V
Output High Voltage ¹	V _{OH}	I _{OH} =-15mA; for Ref CLK	2.4	2.8	-	V
Output Low Voltage ¹	V _{OL}	I _{OL} =7.5mA; CPU only; V _{VDDL} (1:2) = 2.5V	-	0.3	0.4	V
Output High Voltage ¹	V _{OH}	I _{OH} =-13mA; CPU only; V _{VDDL} (1:2) = 2.5V	2.0	2.2	-	V
Supply Current	I _{DD}	@66.6 MHz; all outputs unloaded	-	35	65	mA
Power Down Current	I _{DD(PD)}	PD#=0 All Logic Inputs to V _{DD}	-	244	500	μA
		Other All Logic Inputs to GND	-	371	700	μA

Note 1: Parameter is guaranteed by design and characterization. Not 100% tested in production.



Electrical Characteristics at 3.3V

V_{DD} = 3.0 – 3.7V, T_A = 0 – 70°C unless otherwise stated

AC Characteristics						
PARAMETER	SYMBOL	TEST CONDITIONS	MIN	TYP	MAX	UNITS
Rise Time ¹	Tr1	15pF load, 0.4 to 2.0V; VDD=VDDL for All Outputs	-	0.9	1.4	ns
Fall Time ¹	Tf1	15pF load, 2.0 to 0.4V; VDD=VDDL for All Outputs	-	0.8	1.2	ns
Rise Time ¹	Tr2	15pF load, 0.4 to 2.0V; VDDL=2.5V & VDD = 2.3V; CPU	-	1.5	2.0	ns
Fall Time ¹	Tf2	15pF load, 2.0 to 0.4V; VDDL=2.5V & VDD = 3.3V; CPU	-	1.4	2.0	ns
Duty Cycle ¹	Dt	15pF load CPU, PCI, REF @ VOUT=1.5V	45	50	55	%
Duty Cycle ¹	Dt	15pF load; VDDL (1:2)=2.5V VTH=1.25V	45	49	55	%
Jitter, One Sigma ¹	Tj1s1	CPU & PCI Clocks; Load=15pF, VDD=VDDL	-	50	150	ps
Jitter, Absolute ¹	Tjab1	CPU & PCI Clocks; Load=15pF, VDD=VDDL	-220	-	220	ps
Jitter, One Sigma ¹	Tj1s2	Ref; Load=15pF	-	200	300	ps
Jitter, Absolute ¹	Tjab2	Ref Load=15pF	-500	-	500	ps
Jitter, Cycle to Cycle (for CPU only)	T _{CC}	VDD=VDDL; @ 60MHz	-400	-	+400	ps
		VDD=VDDL; @ 66MHz	-350	-	350	ps
		VDD=VDDL; @ 75MHz	-250	-	250	ps
		VDD=3.3V; VDDL=2.5; for All Frequencies	400	-	400	ps
Input Frequency ¹	Fi		12.0	14.318	16.0	MHz
Logic Input Capacitance ¹	CIN	Logic input pins	-	5	-	pF
Crystal Oscillator Capacitance ¹	CINX	X1, X2 pins	-	18	-	pF
Power-on Time ¹	ton	From VDD=1.6V to 1st crossing of 66.6 MHz VDD supply ramp < 40ms	-	2.5	4.5	ms
Frequency Settling Time ¹	ts	From 1st crossing of acquisition to < 1% settling	-	1.8	2.0	ms
Clock Skew Window ¹	Tsk1	CPU to CPU & PCI to PCI; Load=15pF; @1.5V	-250	14.5	250	ps
Clock Skew ¹	Tsk2	CPU to PCI; Load=15pF; @1.5V; VDD=VDDL; CPU is early	1.0	2.0	4.0	ns
Clock Skew ¹	Tsk3	CPU to PCI; Load=15pF; (CPU is early) VDDL=2.5V, VTH=1.25V; VDD=3.3V, VTH=1.5V	0.50	1.5	3.0	ns

Note 1: Parameter is guaranteed by design and characterization. Not 100% tested in production.



Technical Pin Function Descriptions

VDD/AVDD

This is the power supply to the internal logic of the device as well as the following clock output buffers:

- PCI(1:6)
- REF

This pin may be operated at any voltage between 3.0 and 5.5 volts. Clocks from the listed buffers that it supplies will have a voltage swing from ground to this level. For the actual guaranteed high and low voltage levels of these clocks, please consult the AC parameter table in this data sheet.

GND/AGND

This is the power supply ground return pin for the chip.

XIN

This pin serves one of two functions. When the device is used with a crystal, XIN acts as the input pin for the reference signal that comes from the discrete crystal. When the device is driven by an external clock signal, XIN is the device' input pin for that reference clock. This pin also implements an internal crystal loading capacitor that is connected to ground. See the data tables for the value of the capacitor.

XOUT

This pin is used only when the device uses a Crystal as the reference frequency source. In this mode of operation, XOUT is an output signal that drives (or excites) the discrete crystal. This pin also implements an internal crystal loading capacitor that is connected to ground. See the data tables for the value of the capacitor.

CPU(1:8)

These pins are the clock outputs that drive processor and other CPU related circuitry that require clocks which are in tight skew tolerance with the CPU clock. The voltage swing of these clocks is controlled by that which is applied to the VDDL (1:2) pin of the device. See the Functionality table at the beginning of this data sheet for a list of the specific frequencies that this clock operates at and the selection codes that are necessary to produce these frequencies.

PCI(1:6)

Outputs for PCI bus with a skew ≤ 250 pS. A high current rate of 60mA is available at 3.3V. These outputs are supplied from VDD.

FS0, FS1, FS2

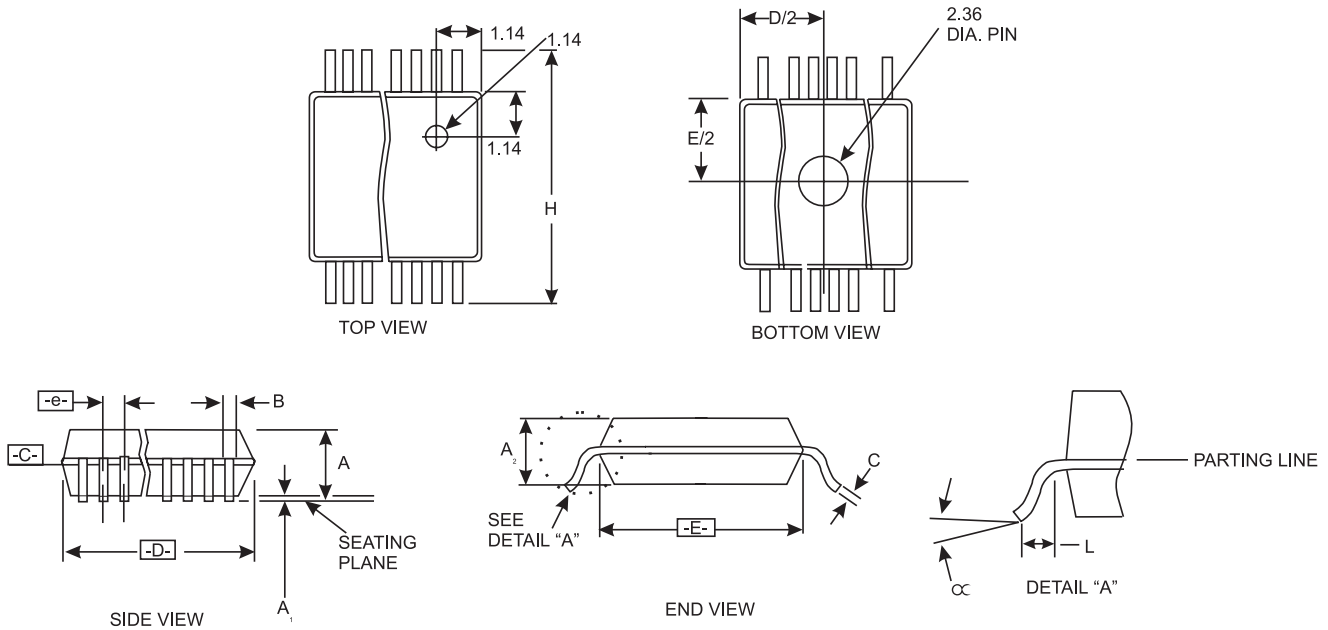
These pins control the frequency of the clocks at the CPU, PCI pins. See the Functionality table at the beginning of this data sheet for a list of the specific frequencies, and the selection codes that are necessary to produce these frequencies. The device reads these pins at power-up. If a "1" value is desired for a specific frequency selection bit, a 10K ohm resistor must be connected from the appropriate FS pin to the VDD supply. If a "0" value is desired, then the 10K resistor must be connected to ground.

REF

This is a fixed frequency clock that runs at the same frequency as the input reference clock (typically 14.31818 MHz) is and typically used to drive Video and ISA BUS requirements.

VDDL(1:2)

This is the power supply to the CPU clock drivers. This pin may be operated "at any voltage" between 2.5 and 3.3 volts. Clocks from the buffers that it supplies will have a voltage swing from ground to this level. For the actual guaranteed high and low voltage levels of these clocks. Please consult the AC parameter table in this data sheet.



SSOP Package

SYMBOL	COMMON DIMENSIONS			VARIATIONS	D			N
	MIN.	NOM.	MAX.		MIN.	NOM.	MAX.	
A	.097	.101	.104	AA	.701	.706	.711	34
A1	.005	.009	.0115					
A2	.090	.092	.094					
B	.014	.016	.019					
C	.0091	.010	.0125					
D	See Variations							
E	.292	.296	.299					
e	.040 BSC							
H	.400	.406	.410					
h	.010	.013	.016					
L	.024	.032	.040					
N	See Variations							
α	0°	5°	8°					
X	.085	.093	.100					

Dimensions are in Inches

Ordering Information

ICS9169CF-40

Example:

ICS XXXX F - PPP

