

<b>Single Channel:</b>	<b>HCPL0452</b>	<b>HCPL0453</b>	<b>HCPL0500</b>	<b>HCPL0501</b>
<b>Dual Channel:</b>	<b>HCPL0530</b>	<b>HCPL0531</b>	<b>HCPL0534</b>	

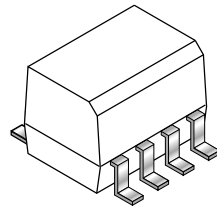
**DESCRIPTION**

The HCPL05XX, and HCPL04XX optocouplers consist of an AlGaAs LED optically coupled to a high speed photodetector transistor housed in a compact 8-pin small outline package.

A separate connection for the bias of the photodiode improves the speed by several orders of magnitude over conventional phototransistor optocouplers by reducing the base-collector capacitance of the input transistor. The HCPL04XX devices do not have the base bonded out to a lead for additional noise margin. The HCPL053X devices have two channels per package for optimum mounting density.

**FEATURES**

- High speed – 1 MBit/s
- 15kV/μs minimum common mode transient immunity at  $V_{CM}=1500V$  (HCPL0453/0534)
- Open collector output
- Guaranteed performance over temperature: 0°C to 70°C
- U.L. recognized (File # E90700)
- VDE0884 recognized (file#136616)
  - approval pending for HCPL0530/0531/0453
  - ordering option V, e.g., HCPL0500V
- BSI recognized (file# 8661, 8662)
  - HCPL0452/0500/0501 only

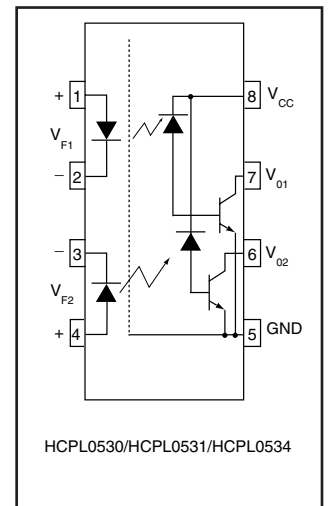
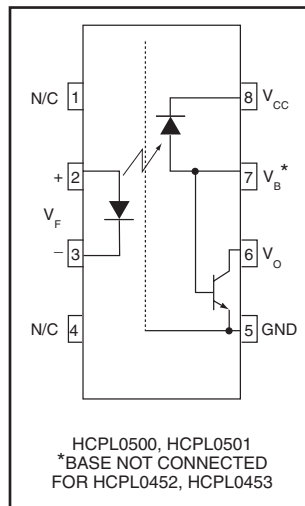
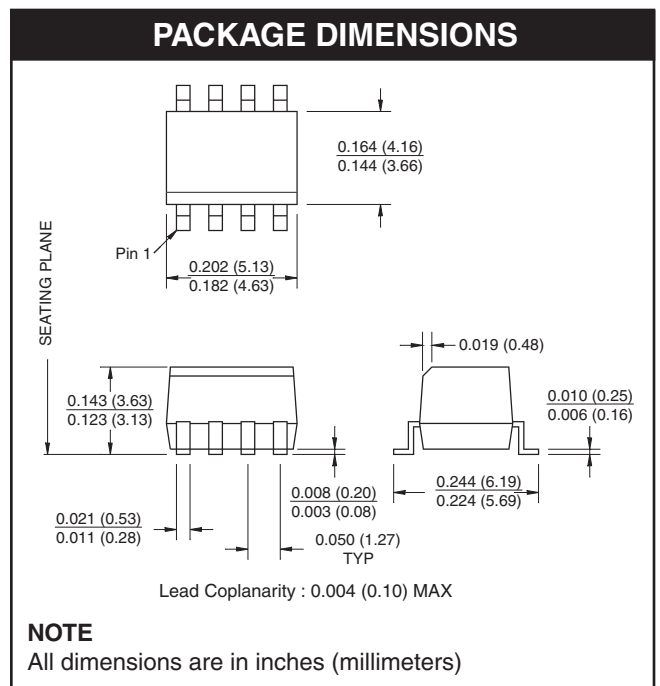


**APPLICATIONS**

- Line receivers
- Pulse transformer replacement
- Output interface to CMOS-LSTTL-TTL
- Wide bandwidth analog coupling

**TRUTH TABLE  
(positive logic)**

LED	$V_O$
ON	LOW
OFF	HIGH



<b>Single Channel:</b>	<b>HCPL0452</b>	<b>HCPL0453</b>	<b>HCPL0500</b>	<b>HCPL0501</b>
<b>Dual Channel:</b>	<b>HCPL0530</b>	<b>HCPL0531</b>	<b>HCPL0534</b>	

<b>ABSOLUTE MAXIMUM RATINGS</b> ( $T_A = 25^\circ\text{C}$ unless otherwise specified)			
Parameter	Symbol	Value	Units
Storage Temperature	$T_{STG}$	-40 to +125	$^\circ\text{C}$
Operating Temperature	$T_{OPR}$	-40 to +85	$^\circ\text{C}$
Reflow Temperature Profile (Refer to page 9)			
<b>EMITTER</b>			
DC/Average Forward Input Current	$I_F$ (avg)	25	mA
Peak Forward Input Current (50% duty cycle, 1 ms P.W.)	$I_F$ (pk)	50	mA
Peak Transient Input Current - ( $\leq 1 \mu\text{s}$ P.W., 300 pps)	$I_F$ (trans)	1.0	A
Reverse Input Voltage	$V_R$	5	V
Input Power Dissipation	$P_D$	45	mW
<b>DETECTOR</b>			
Average Output Current (Pin 6)	$I_O$ (avg)	8	mA
Peak Output Current	$I_O$ (pk)	16	mA
Emitter-Base Reverse Voltage (HCPL0500/HCPL0501 only)	$V_{EBR}$	5	V
Supply Voltage	$V_{CC}$	-0.5 to 30	V
Output Voltage	$V_O$	-0.5 to 20	V
Base Current (HCPL0500/HCPL0501 only)	$I_B$	5	mA
Output power dissipation	$P_D$	100	mW

<b>ELECTRICAL CHARACTERISTICS</b> ( $T_A = 0$ to $70^\circ\text{C}$ Unless otherwise specified)							
<b>INDIVIDUAL COMPONENT CHARACTERISTICS</b>							
Parameter	Test Conditions	Symbol	Device	Min	Typ**	Max	Unit
<b>EMITTER</b>	$(I_F = 16 \text{ mA}, T_A = 25^\circ\text{C})$	$V_F$	All		1.45	1.7	V
				Input Forward Voltage			
	Input Reverse Breakdown Voltage	$(I_R = 10 \mu\text{A})$	$BV_R$	All	5.0		
Temperature coefficient of forward voltage	$(I_F = 16 \text{ mA})$	$(\Delta V_F / \Delta T_A)$	All		-1.6		mV/ $^\circ\text{C}$
<b>DETECTOR</b>	$(I_F = 0 \text{ mA}, V_O = V_{CC} = 5.5 \text{ V})$ $(T_A = 25^\circ\text{C})$	$I_{OH}$	All		0.001	0.5	$\mu\text{A}$
			All		0.005	1	
			All			50	
Logic low supply current	$(I_F = 16 \text{ mA}, V_O = \text{Open})$ $(V_{CC} = 15 \text{ V})$	$I_{CCL}$	HCPL0452/3/ 0500/1/4 HCPL0530/1		120	200	$\mu\text{A}$
						400	

Single Channel: HCPL0452      HCPL0453      HCPL0500      HCPL0501  
Dual Channel:    HCPL0530      HCPL0531      HCPL0534

**ELECTRICAL CHARACTERISTICS** ( $T_A = 0$  to  $70^\circ\text{C}$  Unless otherwise specified) (Continued)

**INDIVIDUAL COMPONENT CHARACTERISTICS**

Parameter	Test Conditions	Symbol	Device	Min	Typ**	Max	Unit
Logic high supply current	( $I_F = 0$ mA, $V_O = \text{Open}$ , $V_{CC} = 15$ V) ( $T_A = 25^\circ\text{C}$ )	$I_{CCH}$	All		0.01	1	$\mu\text{A}$
	( $I_F = 0$ mA, $V_O = \text{Open}$ ) ( $V_{CC} = 15$ V )		HCPL0452/3/ 0500/1			2	
			HCPL0530/1/4			4	

**TRANSFER CHARACTERISTICS** ( $T_A = 0$  to  $70^\circ\text{C}$  Unless otherwise specified)

Parameter	Test Conditions	Symbol	Device	Min	Typ**	Max	Unit
<b>COUPLED</b>  Current transfer ratio (Note 1)	( $I_F = 16$ mA, $V_O = 0.4$ V ) ( $V_{CC} = 4.5$ V, $T_A = 25^\circ\text{C}$ )	CTR	HCPL0500/0530	7	27	50	%
			HCPL0452/3	19	27	50	
			HCPL0501/0531				
	( $I_F = 16$ mA, $V_O = 0.5$ V ) ( $V_{CC} = 4.5$ V )		HCPL0500	5	30		
			HCPL0452/3	15	30		
			HCPL0501/0534				
Logic low output voltage output voltage	( $I_F = 16$ mA, $I_O = 1.1$ mA ) ( $V_{CC} = 4.5$ V, $T_A = 25^\circ\text{C}$ )	$V_{OL}$	HCPL0500		0.18	0.4	V
	( $I_F = 16$ mA, $I_O = 3$ mA ) ( $V_{CC} = 4.5$ V, $T_A = 25^\circ\text{C}$ )		HCPL0530			0.5	
			HCPL0452/3		0.25	0.4	
	( $I_F = 16$ mA, $I_O = 0.8$ mA ) ( $V_{CC} = 4.5$ V )		HCPL0500 HCPL0530		0.13	0.5	
	( $I_F = 16$ mA, $I_O = 2.4$ mA ) ( $V_{CC} = 4.5$ V )		HCPL0452/3		0.23	0.5	
			HCPL0501/0531/4				

\*\* All typicals at  $T_A = 25^\circ\text{C}$

<b>Single Channel:</b>	<b>HCPL0452</b>	<b>HCPL0453</b>	<b>HCPL0500</b>	<b>HCPL0501</b>
<b>Dual Channel:</b>	<b>HCPL0530</b>	<b>HCPL0531</b>	<b>HCPL0534</b>	

<b>SWITCHING CHARACTERISTICS</b> ( $T_A = 0$ to $70^\circ\text{C}$ unless otherwise specified., $V_{CC} = 5\text{ V}$ )							
Parameter	Test Conditions	Symbol	Device	Min	Typ**	Max	Unit
Propagation delay time to logic low	$T_A = 25^\circ\text{C}$ , ( $R_L = 4.1\text{ k}\Omega$ , $I_F = 16\text{ mA}$ ) (Note 2) (Fig. 9)	$T_{PHL}$	HCPL0500/0530		0.45	1.5	$\mu\text{s}$
	$(R_L = 1.9\text{ k}\Omega$ , $I_F = 16\text{ mA}$ ) (Note 3) (Fig. 9)		HCPL0452/3		0.45	0.8	
	$T_A = 25^\circ\text{C}$		HCPL0501/0531/4				
	$(R_L = 4.1\text{ k}\Omega$ , $I_F = 16\text{ mA}$ ) (Note 2) (Fig. 9)		HCPL0500/0530			2.0	
	$(R_L = 1.9\text{ k}\Omega$ , $I_F = 16\text{ mA}$ ) (Note 3) (Fig. 9)		HCPL0452/3			1.0	
			HCPL0501/0531/4				
Propagation delay time to logic high	$T_A = 25^\circ\text{C}$ , ( $R_L = 4.1\text{ k}\Omega$ , $I_F = 16\text{ mA}$ ) (Note 2) (Fig. 9)	$T_{PLH}$	HCPL0500/0530		0.5	1.5	$\mu\text{s}$
	$(R_L = 1.9\text{ k}\Omega$ , $I_F = 16\text{ mA}$ ) (Note 3) (Fig. 9)		HCPL0452/3		0.3	0.8	
	$T_A = 25^\circ\text{C}$		HCPL0501/0531/4				
	$(R_L = 4.1\text{ k}\Omega$ , $I_F = 16\text{ mA}$ ) (Note 2) (Fig. 9)		HCPL0500/0530			2.0	
	$(R_L = 1.9\text{ k}\Omega$ , $I_F = 16\text{ mA}$ ) (Note 3) (Fig. 9)		HCPL0452/3			1.0	
			HCPL0501/0531/4				
Common mode transient immunity at logic high	$(I_F = 0\text{ mA}$ , $V_{CM} = 10\text{ V}_{P-P}$ , $R_L = 4.1\text{ k}\Omega$ ) (Note 4) (Fig. 10) $T_A = 25^\circ\text{C}$	$ICM_{HI}$	HCPL0500	1,000	10,000		$\text{V}/\mu\text{s}$
			HCPL0530				
			HCPL0452	1,000	10,000		
			HCPL0501/31				
			HCPL0534	15,000	40,000		
Common mode transient immunity at logic low	$(I_F = 16\text{ mA}$ , $V_{CM} = 1500\text{ V}_{P-P}$ , $R_L = 1.9\text{ k}\Omega$ , $T_A = 25^\circ\text{C}$ ) (note 4) (Fig. 10)	$ICM_{LI}$	HCPL0500	1,000	10,000		$\text{V}/\mu\text{s}$
			HCPL0530				
			HCPL0452	1,000	10,000		
			HCPL0501/31				
			HCPL0534	15,000	40,000		
Common mode transient immunity at logic low	$(I_F = 16\text{ mA}$ , $T_A = 25^\circ\text{C}$ , $V_{CM} = 1500\text{ V}_{P-P}$ , $C_L = 15\text{ pF}$ ) (Note 4) (Fig. 10)	$ICM_{LI}$	HCPL0500	1,000	10,000		$\text{V}/\mu\text{s}$
			HCPL0530				
			HCPL0452	1,000	10,000		
			HCPL0501/31				
			HCPL0534	15,000	40,000		

<b>ISOLATION CHARACTERISTICS</b> ( $T_A = 0^\circ\text{C}$ to $+70^\circ\text{C}$ Unless otherwise specified.)						
Characteristics	Test Conditions	Symbol	Min	Typ**	Max	Unit
Input-Output Isolation Voltage	(note 5, 6) ( $f = 60\text{ Hz}$ , $t = 1.0\text{ min}$ )	$V_{ISO}$	2500	—	—	$V_{acRMS}$
Isolation Resistance	(note 5) ( $V_{I-O} = 500\text{ V}$ ) <sup>(9)</sup>	$R_{ISO}$	$10^{11}$	—	—	$\Omega$
Isolation Capacitance	(note 5) ( $V_{I-O} = 0$ , $f = 1.0\text{ MHz}$ ) <sup>(9)</sup>	$C_{ISO}$	—	0.2	—	$\text{pF}$

\*\* All typicals at  $T_A = 25^\circ\text{C}$

---

<b>Single Channel:</b>	<b>HCPL0452</b>	<b>HCPL0453</b>	<b>HCPL0500</b>	<b>HCPL0501</b>
<b>Dual Channel:</b>	<b>HCPL0530</b>	<b>HCPL0531</b>	<b>HCPL0534</b>	

---

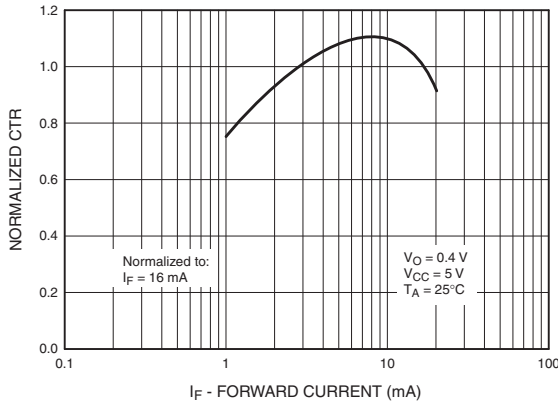
**NOTES**

1. Current Transfer Ratio is defined as a ratio of output collector current,  $I_O$ , to the forward LED input current,  $I_F$  times 100%.
2. The 4.1 k $\Omega$  load represents 1 LSTTL unit load of 0.36 mA and 6.1k $\Omega$  pull-up resistor.
3. The 1.9 k $\Omega$  load represents 1 TTL unit load of 1.6 mA and 5.6 k $\Omega$  pull-up resistor.
4. Common mode transient immunity in logic high level is the maximum tolerable (positive)  $dV_{cm}/dt$  on the leading edge of the common mode pulse signal  $V_{CM}$ , to assure that the output will remain in a logic high state (i.e.,  $V_O > 2.0$  V). Common mode transient immunity in logic low level is the maximum tolerable (negative)  $dV_{cm}/dt$  on the trailing edge of the common mode pulse signal,  $V_{CM}$ , to assure that the output will remain in a logic low state (i.e.,  $V_O < 0.8$  V).
5. Device is considered a two terminal device: Pins 1, 2, 3 and 4 are shorted together and Pins 5, 6, 7 and 8 are shorted together.
6. 2500 VAC RMS for 1 minute duration is equivalent to 3000 VAC RMS for 1 second duration.

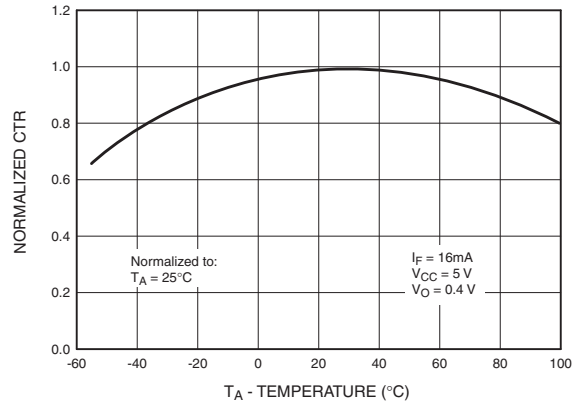
Single Channel:	HCPL0452	HCPL0453	HCPL0500	HCPL0501
Dual Channel:	HCPL0530	HCPL0531	HCPL0534	

**TYPICAL PERFORMANCE CURVES**

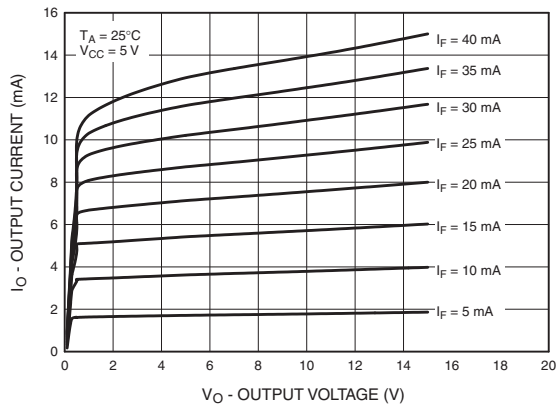
**Fig. 1 Normalized CTR vs. Forward Current**



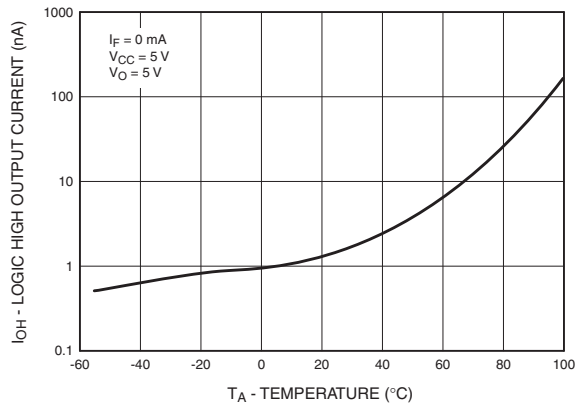
**Fig. 2 Normalized CTR vs. Temperature**



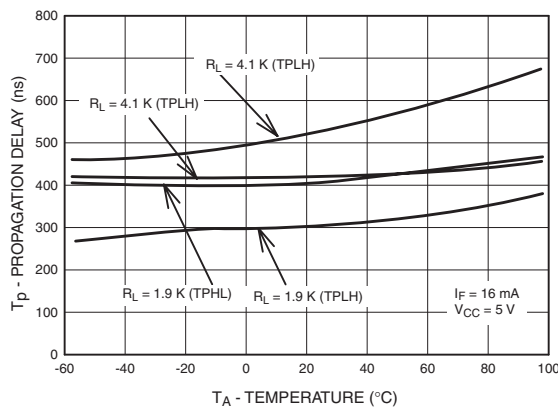
**Fig. 3 Output Current vs. Output Voltage**



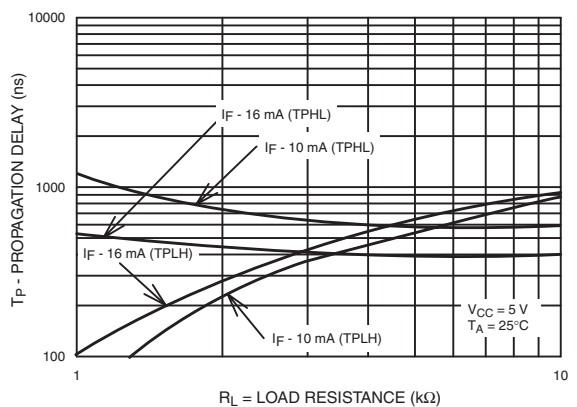
**Fig. 4 Logic High Output Current vs. Temperature**



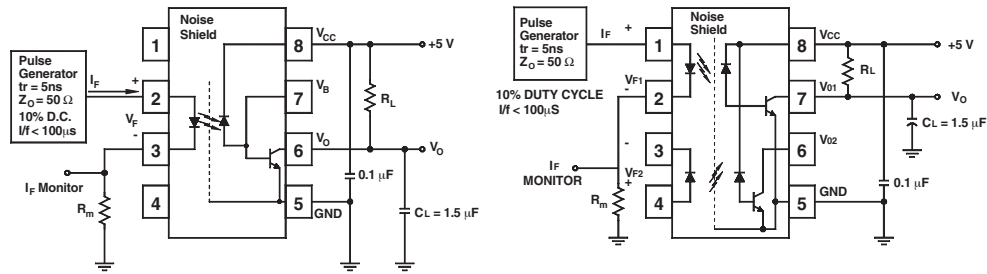
**Fig. 5 Propagation Delay vs. Temperature**



**Fig. 6 Propagation Delay vs. Load Resistance**

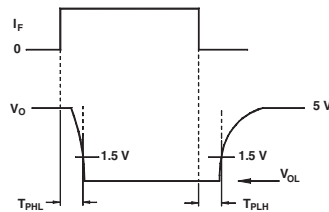


Single Channel:	HCPL0452	HCPL0453	HCPL0500	HCPL0501
Dual Channel:	HCPL0530	HCPL0531	HCPL0534	

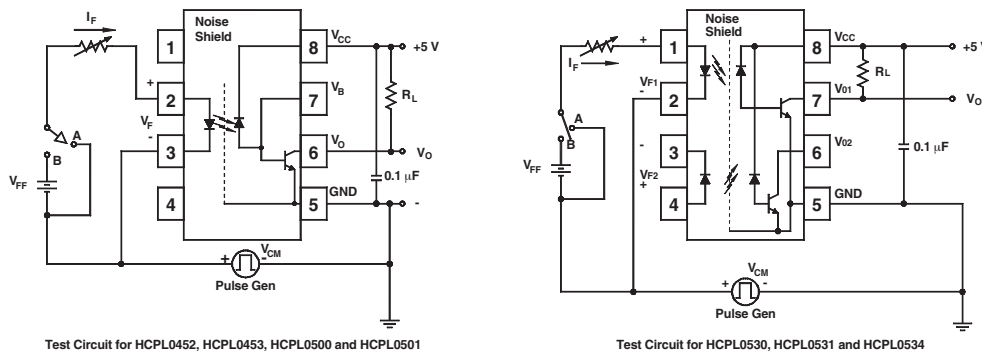


Test Circuit for HCPL0452, HCPL0453, HCPL0500 and HCPL0501

Test Circuit for HCPL0530, HCPL0531 and HCPL0534

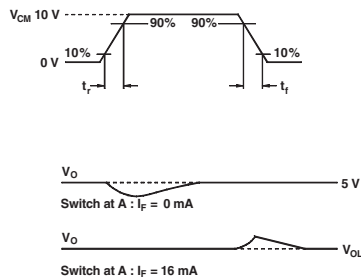


**Fig. 7 Switching Time Test Circuit**



Test Circuit for HCPL0452, HCPL0453, HCPL0500 and HCPL0501

Test Circuit for HCPL0530, HCPL0531 and HCPL0534



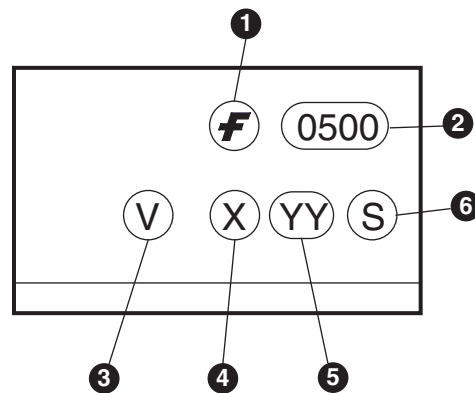
**Fig. 8 Common Mode Immunity Test Circuit**

Single Channel:	HCPL0452	HCPL0453	HCPL0500	HCPL0501
Dual Channel:	HCPL0530	HCPL0531	HCPL0534	

**ORDERING INFORMATION**

Option	Order Entry Identifier	Description
V	V	VDE 0884 (approval pending for HCPL0530, HCPL0531 & HCPL0534)
R1	R1	Tape and reel (500 units per reel)
R1V	R1V	VDE 0884 (approval pending for HCPL0530, HCPL0531 & HCPL0534), Tape and reel (500 units per reel)
R2	R2	Tape and reel (2500 units per reel)
R2V	R2V	VDE 0884 (approval pending for HCPL0530, HCPL0531 & HCPL0534), Tape and reel (2500 units per reel)

**MARKING INFORMATION**

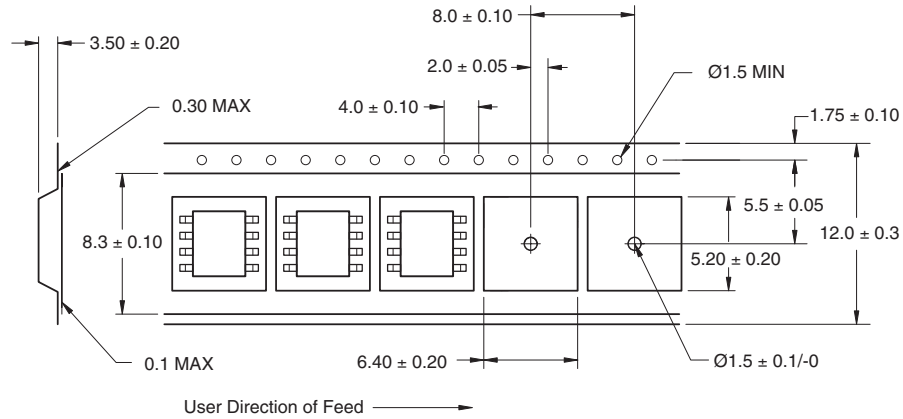


Definitions	
1	Fairchild logo
2	Device number
3	VDE mark (Note: Only appears on parts ordered with VDE option – See order entry table)
4	One digit year code, e.g., '3'
5	Two digit work week ranging from '01' to '53'
6	Assembly package code

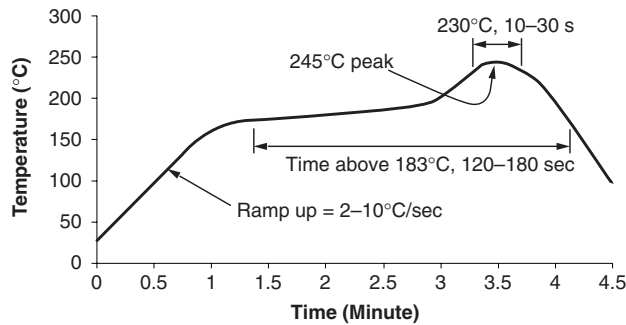


Single Channel:	HCPL0452	HCPL0453	HCPL0500	HCPL0501
Dual Channel:	HCPL0530	HCPL0531	HCPL0534	

**Carrier Tape Specifications**



**Reflow Profile**



- Peak reflow temperature: 245°C (package surface temperature)
- Time of temperature higher than 183°C for 120–180 seconds
- One time soldering reflow is recommended

---

<b>Single Channel:</b>	<b>HCPL0452</b>	<b>HCPL0453</b>	<b>HCPL0500</b>	<b>HCPL0501</b>
<b>Dual Channel:</b>	<b>HCPL0530</b>	<b>HCPL0531</b>	<b>HCPL0534</b>	

---

**DISCLAIMER**

FAIRCHILD SEMICONDUCTOR RESERVES THE RIGHT TO MAKE CHANGES WITHOUT FURTHER NOTICE TO ANY PRODUCTS HEREIN TO IMPROVE RELIABILITY, FUNCTION OR DESIGN. FAIRCHILD DOES NOT ASSUME ANY LIABILITY ARISING OUT OF THE APPLICATION OR USE OF ANY PRODUCT OR CIRCUIT DESCRIBED HEREIN; NEITHER DOES IT CONVEY ANY LICENSE UNDER ITS PATENT RIGHTS, NOR THE RIGHTS OF OTHERS.

**LIFE SUPPORT POLICY**

FAIRCHILD'S PRODUCTS ARE NOT AUTHORIZED FOR USE AS CRITICAL COMPONENTS IN LIFE SUPPORT DEVICES OR SYSTEMS WITHOUT THE EXPRESS WRITTEN APPROVAL OF THE PRESIDENT OF FAIRCHILD SEMICONDUCTOR CORPORATION. As used herein:

1. Life support devices or systems are devices or systems which, (a) are intended for surgical implant into the body, or (b) support or sustain life, and (c) whose failure to perform when properly used in accordance with instructions for use provided in the labeling, can be reasonably expected to result in a significant injury of the user.
2. A critical component in any component of a life support device or system whose failure to perform can be reasonably expected to cause the failure of the life support device or system, or to affect its safety or effectiveness.