

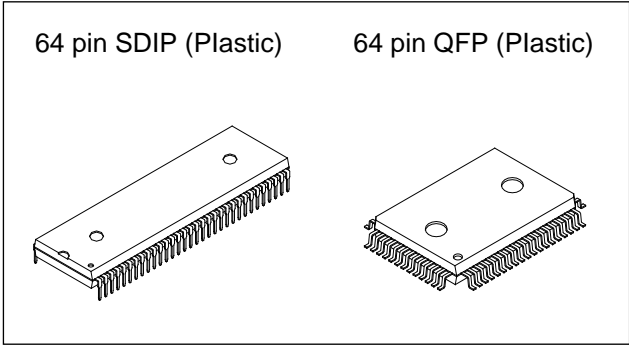
CXP85632/85640

CMOS 8-bit Single Chip Microcomputer

Description

The CXP85632/85640 is a CMOS 8-bit micro-computer which consists of A/D converter, serial interface, timer/counter, time-base timer, closed caption decoder, data slicer, on-screen display function, I²C bus interface, PWM output, remote control receiver, HSYNC counter and watchdog timer as well as basic configuration like 8-bit CPU, ROM, RAM and I/O port.

Also this IC provides power-on reset function and sleep function which enables to lower power consumption.



Structure

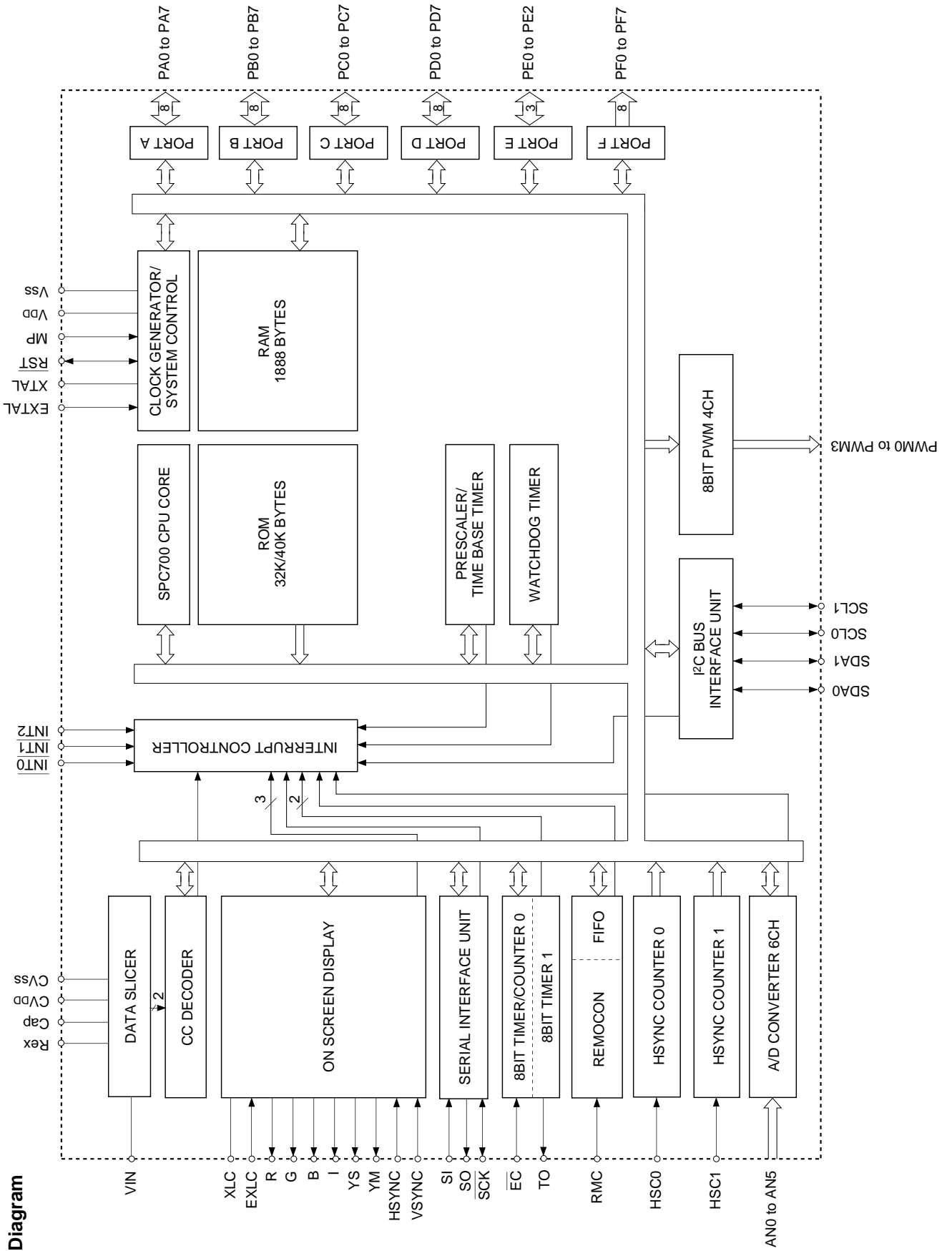
Silicon gate CMOS IC

Features

- A wide instruction set (213 instructions) to cover various types of data.
 - 16-bit arithmetic/multiplication and division/boolean bit operation instructions
- Minimum instruction cycle 333ns at 12MHz operation
- Incorporated ROM 32K bytes (CXP85632)
 40K bytes (CXP85640)
- Incorporated RAM 1888 bytes
 (excluding the closed caption decoder and on-screen display VRAM)
- Peripheral functions
 - A/D converter 8 bits, 6 channels, successive approximation method
 (Conversion time of 26.7μs/12MHz)
 - Serial interface 8-bit clock, sync type, 1 channel
 - Timer 8-bit timer, 8-bit timer/counter, 19-bit time-base timer
 - Closed caption decoder
 Incorporated decode slicer,
 conforming to FCC, 8 × 13 dots, 192 character types, 15 character colors,
 4 lines of 34 characters, italic, underline, vertical scroll,
 15 frame background colors/half blanking
 - On-screen display (OSD) function
 12 × 16 dots, 128 character types, 15 character colors, 4 lines of 24 characters,
 8 frame background colors/half blanking, edging per line (half dot), vertical scroll
 jitter elimination circuit
 - I²C bus interface
 - PWM output 8 bits, 4 channels
 - Remote control receiver circuit
 Incorporated 6-stage FIFO 8-bit pulse measurement counter
 - HSYNC counter 2 channels
 - Watchdog timer
- Interruption 15 factors, 15 vectors, multi-interruption possible
- Standby mode SLEEP
- Package 64-pin plastic SDIP/QFP
- Piggyback/evaluation chip CXP85690 64-pin ceramic PSDIP (accommodates custom font)

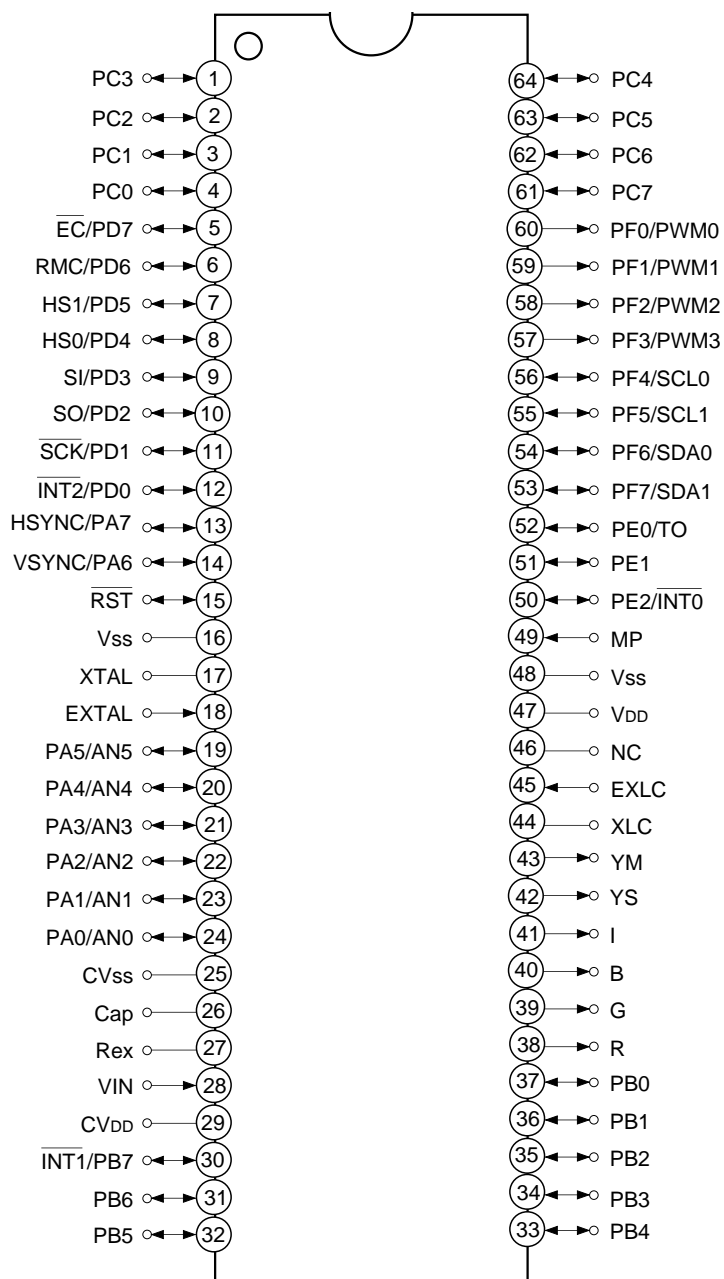
Purchase of Sony's I²C components conveys a license under the Philips I²C Patent Rights to use these components in an I²C system, provided that the system conform to the I²C Standard Specifications as defined by Philips.

Sony reserves the right to change products and specifications without prior notice. This information does not convey any license by any implication or otherwise under any patents or other right. Application circuits shown, if any, are typical examples illustrating the operation of the devices. Sony cannot assume responsibility for any problems arising out of the use of these circuits.



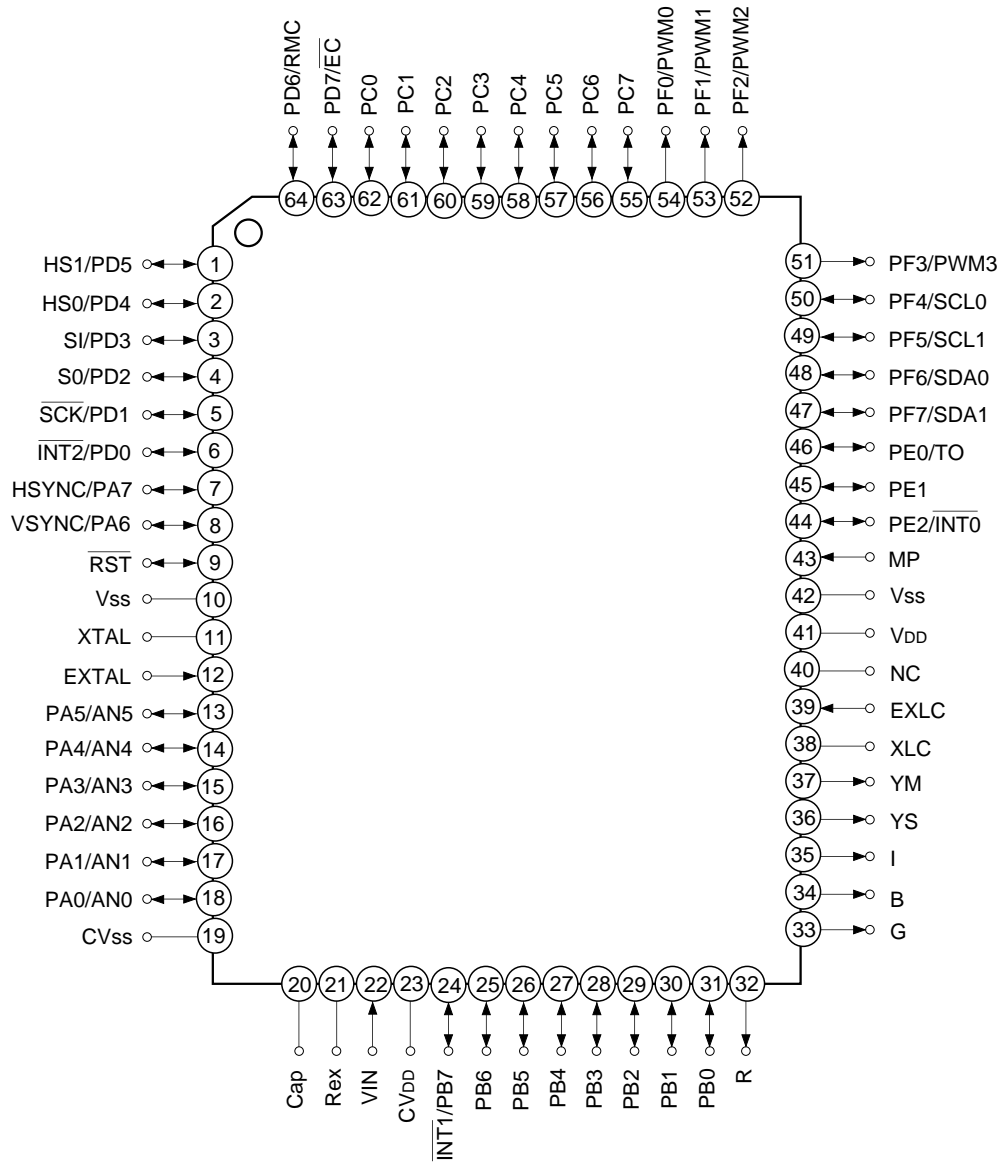
Block Diagram

Pin Assignment (Top View) 64-pin SDIP



- Note)**
1. NC (Pin 46) must be connected to V_{DD} .
 2. V_{ss} (Pins 16 and 48) must be connected to GND.
 3. MP (Pin 49) must be connected to GND.
 4. Cap (Pin 26) must be connected to CV_{ss} via a capacitor.
 5. Rex (Pin 27) must be connected to CV_{DD} via a resistor of 33k Ω .

Pin Assignment (Top View) 64-pin QFP



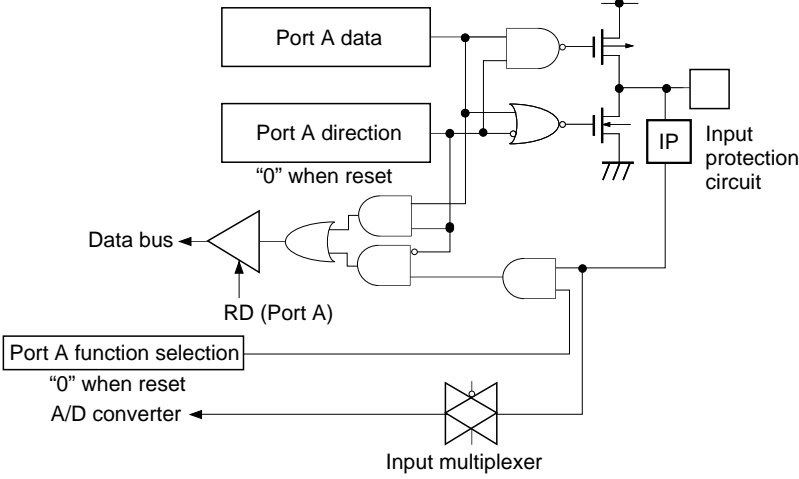
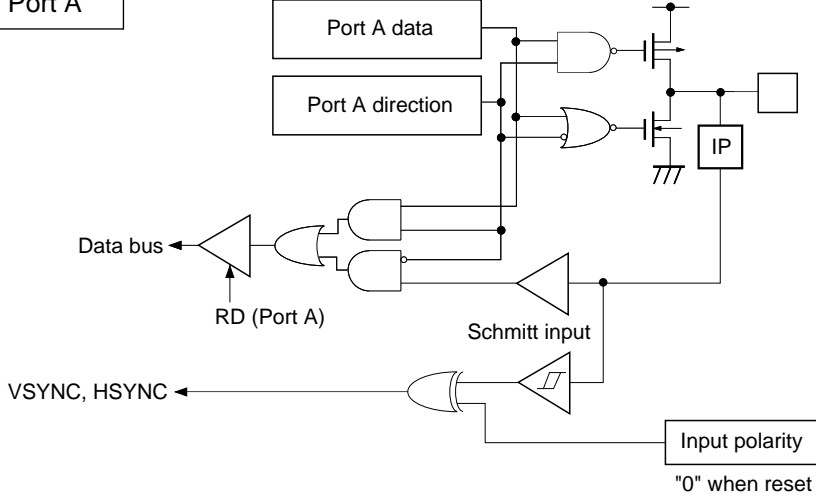
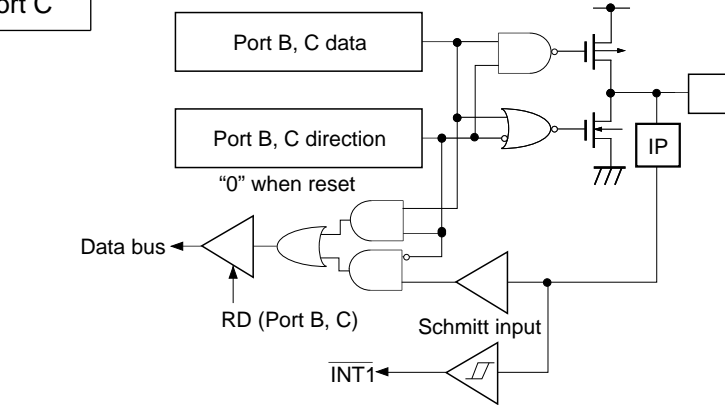
- Note)**
1. NC (Pin 40) must be connected to VDD.
 2. Vss (Pins 10 and 42) must be connected to GND.
 3. MP (Pin 43) must be connected to GND.
 4. Cap (Pin 20) must be connected to CVss via a capacitor.
 5. Rex (Pin 21) must be connected to CVDD via a resistor of 33kΩ.

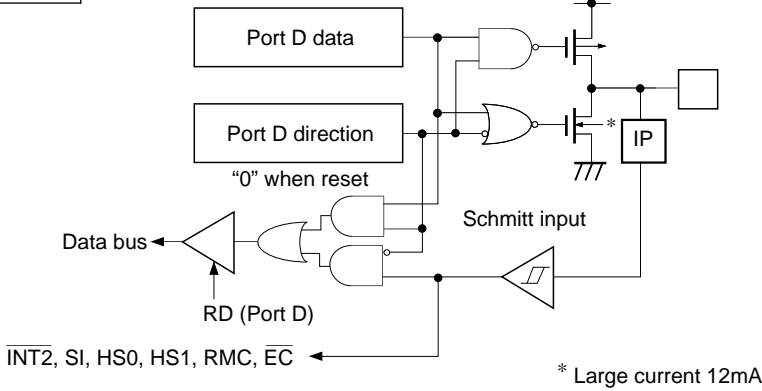
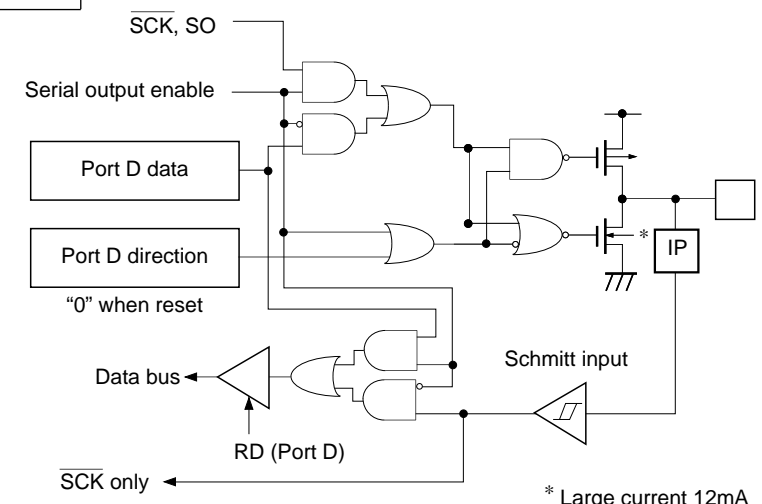
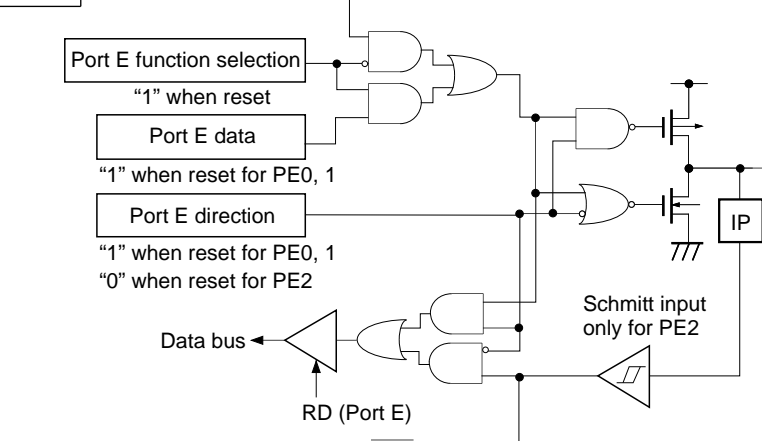
Pin Functions

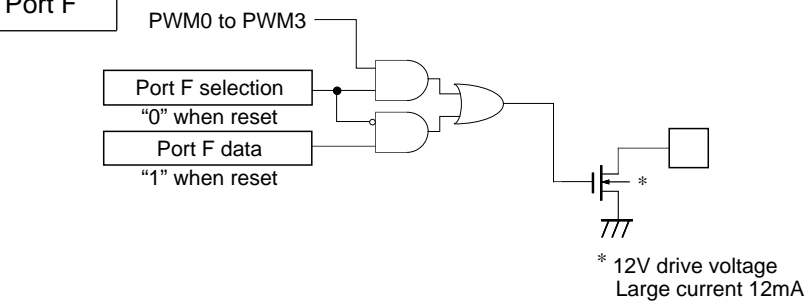
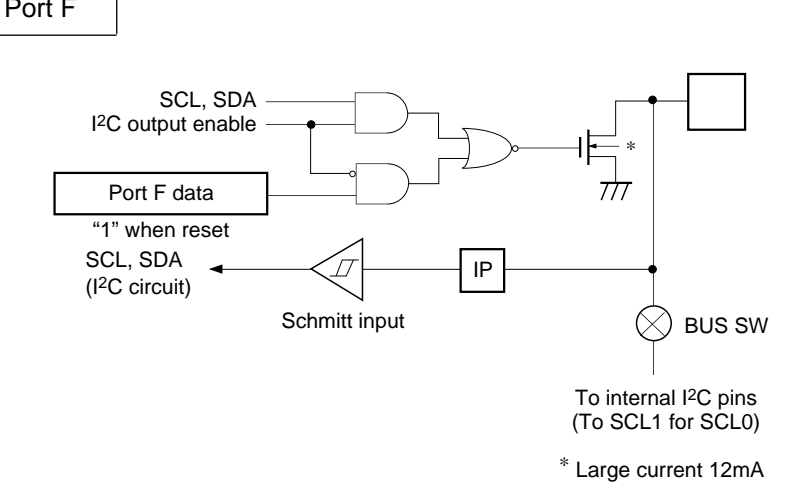
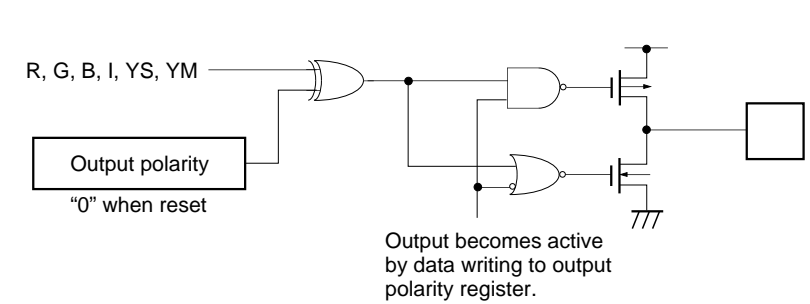
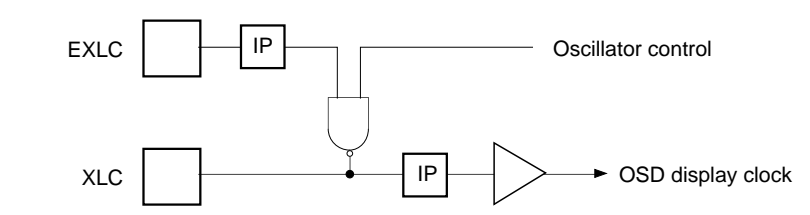
Pin name	I/O	Functions	
PA0/AN0 to PA5/AN5	I/O/Analog input	(Port A) 8-bit I/O port. I/O can be set in a unit of single bits. (8 pins)	Analog inputs to A/D converter. (6 pins)
PA6/VSYNC	I/O/Input		OSD display vertical sync signal input.
PA7/HSYNC	I/O/Input		OSD display horizontal sync signal input.
PB0 to PB6	I/O	(Port B) 8-bit I/O port. I/O can be set in a unit of single bits. (8 pins)	
PB7/ $\overline{\text{INT1}}$	I/O/Input		Input for external interruption request. Active at the falling edge.
PC0 to PC7	I/O	(Port C) 8-bit I/O port. I/O can be set in a unit of single bits. (8 pins)	
PD0/ $\overline{\text{INT2}}$	I/O/Input	(Port D) 8-bit I/O port. I/O can be set in a unit of single bits. Capable of driving 12mA sync current. (8 pins)	Input for external interruption request. Active at the falling edge.
PD1/ $\overline{\text{SCK}}$	I/O/I/O		Serial clock I/O.
PD2/SO	I/O/Output		Serial data output.
PD3/SI	I/O/Input		Serial data input.
PD4/HS0	I/O/Input		HSYNC counter (CH0) input.
PD5/HS1	I/O/Input		HSYNC counter (CH1) input.
PD6/RMC	I/O/Input		Remote control receiver circuit input.
PD7/ $\overline{\text{EC}}$	I/O/Input		External event input for timer/counter.
PE0/TO	I/O/Output		(Port E) 3-bit I/O port. I/O can be set in a unit of single bits. (3 pins)
PE1	I/O		
PE2/ $\overline{\text{INT0}}$	I/O/Input	Input for external interruption request. Active at the falling edge.	
PF0/PWM0 to PF3/PWM3	Output/Output	(Port F) 8-bit output port with large current (12mA) N-ch open drain output. Lower 4 bits are 12V drive and upper 4 bits are 5V drive.	8-bit PWM outputs. (4 pins)
PF4/SCL0 PF5/SCL1	Output/I/O		Transfer clock I/O for I ² C bus interface. (2 pins)
PF6/SDA0 PF7/SDA1	Output/I/O		Transfer data I/O for I ² C bus interface. (2 pins)
R, G, B, I, YS, YM	Output	OSD display 6-bit outputs. (6 pins)	

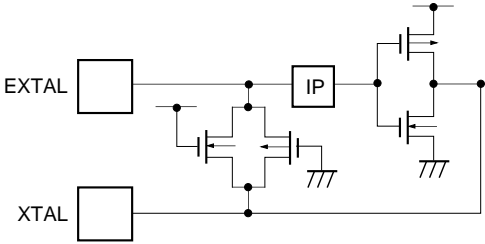
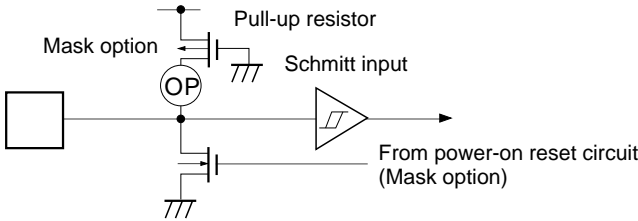
Pin name	I/O	Functions
EXLC	Input	OSD display clock oscillation I/O. Oscillator frequency is determined by external L and C.
XLC	Output	
VIN	Input	Input of external composite video signal. Input a 2Vp-p signal via a capacitor.
Cap	—	Capacitor connection for the data slicer. Connect a capacitor between Cap and CVss.
Rex	—	Resistor connection for the data slicer. Connect a 33kΩ resistor between Rex and CVDD.
CVDD		Positive power supply for data slicer.
CVss		GND for data slicer.
EXTAL	Input	System clock oscillator crystal connection. When using an external clock, input to EXTAL pin and leave XTAL pin open.
XTAL	Output	
$\overline{\text{RST}}$	I/O	Low level active system reset. This pin acts as I/O pin and outputs low level through incorporated power-on reset function when the power turned on. (Mask option)
MP	Input	Test mode input. Must be connected to GND.
NC		Not connected. Under normal conditions, connect to VDD.
VDD		Positive power supply.
Vss		GND. Connect two Vss pins to GND.

I/O Circuit Format for Pins

Pin	Circuit format	When reset
<p>PA0/AN0 to PA5/AN5</p> <p>6 pins</p>	<p>Port A</p> 	<p>Hi-Z</p>
<p>PA6/VSYNC to PA7/HSYNC</p> <p>2 pins</p>	<p>Port A</p> 	<p>Hi-Z</p>
<p>PB0 to PB6 PB7/INT1 PC0 to PC7</p> <p>16 pins</p>	<p>Port B Port C</p> 	<p>Hi-Z</p>

Pin	Circuit format	When reset
<p>PD0/$\overline{\text{INT2}}$ PD3/SI PD4/HS0 PD5/HS1 PD6/RMC PD7/$\overline{\text{EC}}$</p> <p>6 pins</p>	<p>Port D</p>  <p>* Large current 12mA</p>	<p>Hi-Z</p>
<p>PD1/$\overline{\text{SCK}}$ PD2/SO</p> <p>2 pins</p>	<p>Port D</p>  <p>* Large current 12mA</p>	<p>Hi-Z</p>
<p>PE0/TO PE1 PE2/$\overline{\text{INT0}}$</p> <p>3 pins</p>	<p>Port E</p>  <p>Schmitt input only for PE2</p>	<p>PE0, PE1: High PE2: Hi-Z</p>

Pin	Circuit format	When reset
<p>PF0/PWM0 to PF3/PWM3</p> <p>4 pins</p>	<p>Port F</p>  <p>* 12V drive voltage Large current 12mA</p>	<p>Hi-Z</p>
<p>PF4/SCL0 PF5/SCL1 PF6/SDA0 PF7/SDA1</p> <p>4 pins</p>	<p>Port F</p>  <p>* Large current 12mA</p>	<p>Hi-Z</p>
<p>R G B I YS YM</p> <p>6 pins</p>	 <p>Output becomes active by data writing to output polarity register.</p>	<p>Hi-Z</p>
<p>EXLC XLC</p> <p>2 pins</p>	 <p>Oscillator control</p> <p>OSD display clock</p>	<p>Oscillation halted</p>

Pin	Circuit format	When reset
<p>EXTAL XTAL</p> <p>2 pins</p>	 <ul style="list-style-type: none"> • Diagram indicates equivalent circuit during oscillation. • Feedback resistor is disconnected during STOP. (This device does not enter in the STOP mode.) 	<p>Oscillation</p>
<p>$\overline{\text{RST}}$</p> <p>1 pin</p>	 <p>Pull-up resistor</p> <p>Mask option</p> <p>OP</p> <p>Schmitt input</p> <p>From power-on reset circuit (Mask option)</p>	<p>Low level</p>

Absolute Maximum Ratings

(V_{SS} = 0V reference)

Item	Symbol	Ratings	Unit	Remarks
Supply voltage	V _{DD}	-0.3 to +7.0	V	
Input voltage	V _{IN}	-0.3 to +7.0* ¹	V	
Output voltage	V _{OUT}	-0.3 to +7.0* ¹	V	
Medium voltage tolerance output voltage	V _{OUTP}	-0.3 to +15.0	V	PF0 to PF3 pins
High level output current	I _{OH}	-5	mA	
High level total output current	ΣI _{OH}	-50	mA	Total of all output pins
Low level output current	I _{OL}	15	mA	Excludes large current output port (value per pin)
	I _{OLC}	20	mA	Large current output port (value per pin* ²)
Low level total output current	ΣI _{OL}	100	mA	Total of all output pins
Operating temperature	T _{opr}	-20 to +75	°C	
Storage temperature	T _{stg}	-55 to +150	°C	
Allowable power dissipation	P _D	1000	mW	SDIP
		600	mW	QFP

*¹ V_{IN} and V_{OUT} should not exceed V_{DD} + 0.3V.*² The large current output port is Port D (PD) and Port F (PF).

Note) Usage exceeding absolute maximum ratings may permanently impair the LSI. Normal operation should better take place under the recommended operating conditions. Exceeding those conditions may adversely affect the reliability of the LSI.

Recommended Operating Conditions

(V_{SS} = 0V reference)

Item	Symbol	Min.	Max.	Unit	Remarks
Supply voltage	V _{DD}	4.5	5.5	V	Guaranteed operation range for 1/2 or 1/4 frequency dividing mode
		3.5	5.5	V	Guaranteed operation range for 1/16 frequency dividing or SLEEP mode
		2.5	5.5	V	Guaranteed data hold range for STOP mode* ¹
Data slicer supply voltage	CV _{DD}	4.5	5.5	V	* ⁵
High level input voltage	V _{IH}	0.7V _{DD}	V _{DD}	V	* ²
	V _{IHS}	0.8V _{DD}	V _{DD}	V	* ³
	V _{IHEX}	V _{DD} - 0.4	V _{DD} + 0.3	V	EXTAL pin* ⁴
Low level input voltage	V _{IL}	0	0.3V _{DD}	V	* ²
	V _{ILS}	0	0.2V _{DD}	V	* ³
	V _{ILEX}	-0.3	0.4	V	EXTAL pin* ⁴
Operating temperature	T _{opr}	-20	+75	°C	

*¹ This device does not enter in the STOP mode.*² PA, PB, PC, PE0, PE1, SCL0, SCL1, SDA0, SDA1 pins.*³ INT2, SCK, SO, SI, HS0, HS1, RMC, EC, INT1, HSYNC, VSYNC, RST pins.*⁴ Specifies only during external clock input.*⁵ CV_{DD} and V_{DD} should be set to the same voltage.

DC Characteristics

(Ta = -20 to +75°C, Vss = 0V reference)

Item	Symbol	Pin	Condition	Min.	Typ.	Max.	Unit
High level output voltage	V _{OH}	PA to PD, PE, R, G, B, I, YS, YM	V _{DD} = 4.5V, I _{OH} = -0.5mA	4.0			V
			V _{DD} = 4.5V, I _{OH} = -1.2mA	3.5			V
Low level output voltage	V _{OL}	PA to PD, PE, R, G, B, I, YS, YM, PF0 to PF3, RST*1	V _{DD} = 4.5V, I _{OL} = 1.8mA			0.4	V
			V _{DD} = 4.5V, I _{OL} = 3.6mA			0.6	V
		PD, PF	V _{DD} = 4.5V, I _{OL} = 12.0mA			1.5	V
		PF4 to PF7 (SCL0, SCL1, SDA0, SDA1)	V _{DD} = 4.5V, I _{OL} = 3.0mA			0.4	V
			V _{DD} = 4.5V, I _{OL} = 4.0mA			0.6	V
Input current	I _{IHE}	EXTAL	V _{DD} = 5.5V, V _{IH} = 5.5V	0.5		40	μA
	I _{IHL}		V _{DD} = 5.5V, V _{IL} = 0.4V	-0.5		-40	μA
	I _{ILR}	RST*2	V _{DD} = 5.5V, V _{IL} = 0.4V	-1.5		-400	μA
I/O leakage current	I _{Iz}	PA to PE, HSYNC, VSYNC, R, G, B, I, YS, YM, RST*2	V _{DD} = 5.5V, V _I = 0, 5.5V			±10	μA
Open drain output leak current (N-ch Tr off case)	I _{LOH}	PF0 to PF3	V _{DD} = 5.5V, V _{OH} = 12.0V			50	μA
		PF4 to PF7	V _{DD} = 5.5V, V _{OH} = 5.5V			10	μA
I ² C bus switch connection impedance (Output Tr off case)	R _{Bs}	SCL0: SCL1 SDA0: SDA1	V _{DD} = 4.5V V _{SCL0} = V _{SCL1} = 2.25V V _{SDA0} = V _{SDA1} = 2.25V			120	Ω
Supply current	I _{DD}	V _{DD} *3	1/2 frequency dividing mode V _{DD} = 5.5V 12MHz crystal oscillation (C ₁ = C ₂ = 15pF)		18	30	mA
	I _{DDSL}		SLEEP mode V _{DD} = 5.5V, 12MHz crystal oscillation (C ₁ = C ₂ = 15pF)		0.9	3	mA
	I _{DDST}		STOP mode*4 V _{DD} = 5.5V, termination of 12MHz oscillation	—	—	—	μA
	I _{CVDD}		CV _{DD}	V _{DD} = 5.5V	—	5.0	10.0
Input capacitance	C _{IN}	PA to PE, SCL, SDA, EXLC, EXTAL, VIN, RST	1MHz clock 0V for all pins excluding measured pins		10	20	pF

*1 RST pin is specified only when the power-on reset circuit is selected with mask option.

*2 In RST pin, the input current is specified when the pull-up resistor is selected; the leakage current when no resistor is selected.

*3 When all pins are open. Specifies only when the OSD oscillation stops.

*4 This device does not enter in the STOP mode.

AC Characteristics

(1) Clock timing

(Ta = -20 to +75°C, VDD = 4.5 to 5.5V, Vss = 0V reference)

Item	System	Pin	Condition	Min.	Typ.	Max.	Unit
System clock frequency	fc	XTAL EXTAL	Fig. 1, Fig. 2		12.0		MHz
System clock input pulse width	t _{XL} , t _{XH}	EXTAL	Fig. 1, Fig. 2 External clock drive	37.5			ns
System clock rise and fall times	t _{CR} , t _{CF}	EXTAL	Fig 1, Fig 2 External clock drive			200	ns
Event counter input clock pulse width	t _{EH} , t _{EL}	\overline{EC}	Fig. 3	t _{sys} *1 + 50			ns
Event counter input clock rise and fall times	t _{ER} , t _{EF}	\overline{EC}	Fig. 3			20	ms

*1 t_{sys} indicates three values according to the contents of the clock control register (CLC: 00FEH) upper 2 bits. (CPU clock selection)

t_{sys} (ns) = 2000/fc (Upper 2 bits = "00"), 4000/fc (Upper 2 bits = "01"), 16000/fc (Upper 2 bits = "11")

Fig. 1. Clock timing

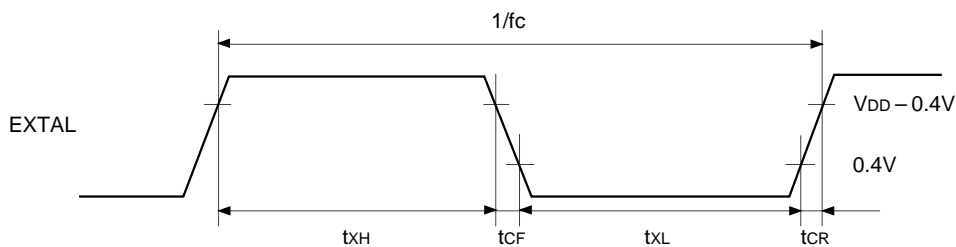


Fig. 2. Clock applied condition

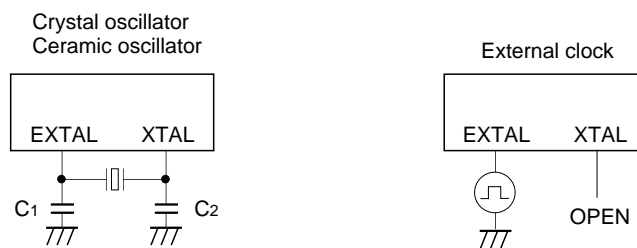
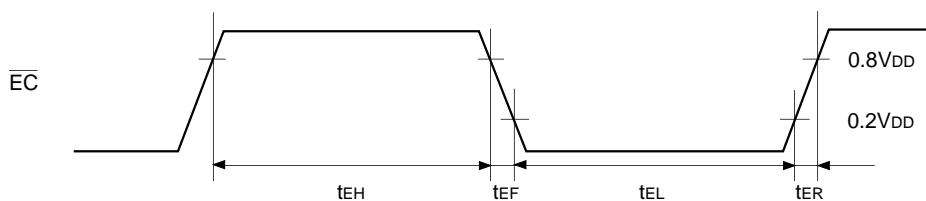


Fig. 3. Event count clock timing



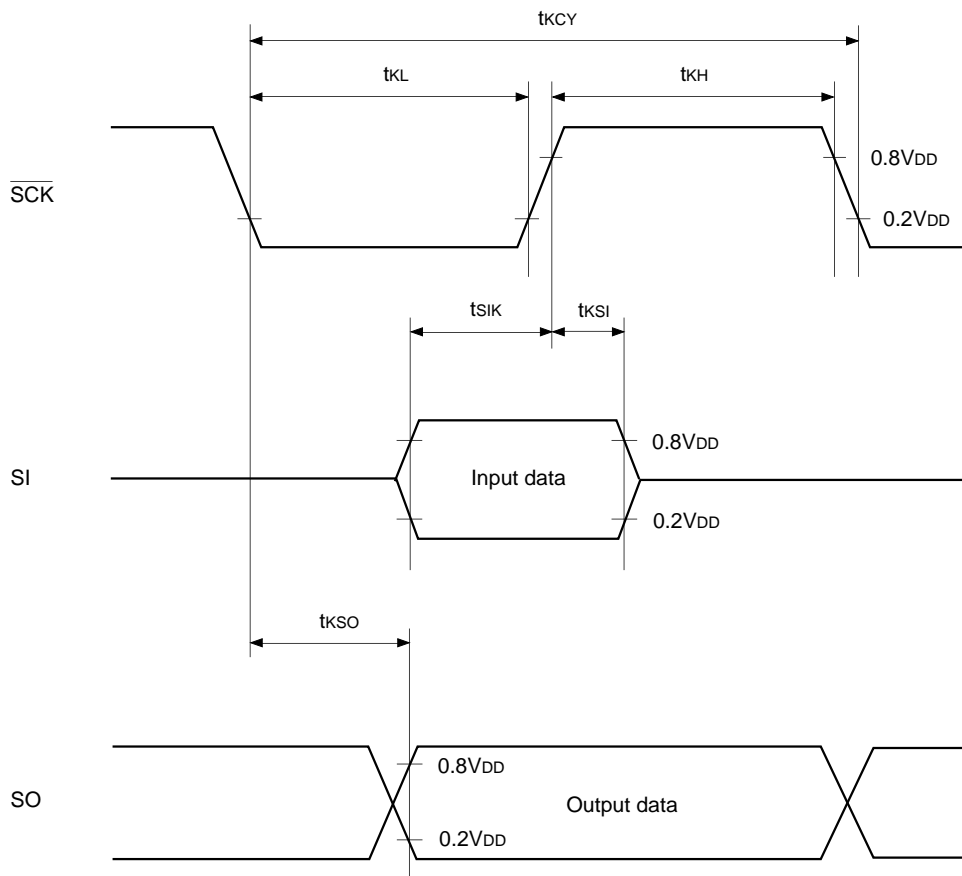
(2) Serial transfer

($T_a = -20$ to $+75^\circ\text{C}$, $V_{DD} = 4.5$ to 5.5V , $V_{SS} = 0\text{V}$ reference)

Item	System	Pin	Condition	Min.	Max.	Unit
$\overline{\text{SCK}}$ cycle time	t_{KCY}	$\overline{\text{SCK}}$	Input mode	1000		ns
			Output mode	$8000/f_c$		ns
$\overline{\text{SCK}}$ high and low level widths	t_{KH}	$\overline{\text{SCK}}$	$\overline{\text{SCK}}$ input mode	400		ns
	t_{KL}		$\overline{\text{SCK}}$ output mode	$4000/f_c - 50$		ns
SI input set-up time (for $\overline{\text{SCK}}\uparrow$)	t_{SIK}	SI	$\overline{\text{SCK}}$ input mode	100		ns
			$\overline{\text{SCK}}$ output mode	200		ns
SI input hold time (for $\overline{\text{SCK}}\uparrow$)	t_{KSI}	SI	$\overline{\text{SCK}}$ input mode	200		ns
			$\overline{\text{SCK}}$ output mode	100		ns
$\overline{\text{SCK}}\downarrow \rightarrow \text{SO}$ delay time	t_{KSO}	SO	$\overline{\text{SCK}}$ input mode		200	ns
			$\overline{\text{SCK}}$ output mode		100	ns

Note) The load condition for the $\overline{\text{SCK}}$ output mode, SO output delay time is $50\text{pF} + 1\text{TTL}$.

Fig. 4. Serial transfer timing

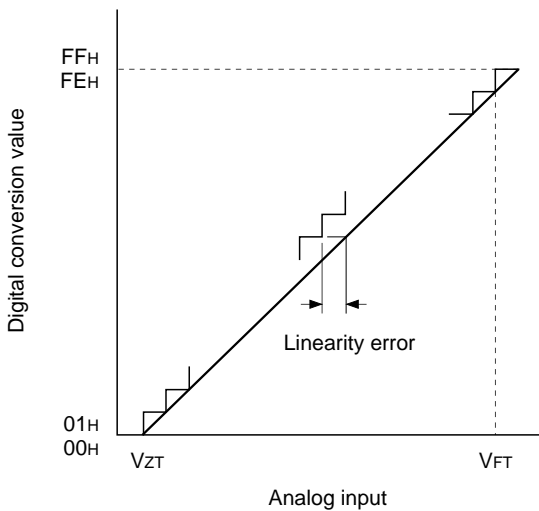


(3) A/D converter characteristics

($T_a = -20$ to $+75^\circ\text{C}$, $V_{DD} = 4.5$ to 5.5V , $V_{SS} = 0\text{V}$ reference)

Item	Symbol	Pin	Condition	Min.	Typ.	Max.	Unit
Resolution						8	Bits
Linearity error			$T_a = 25^\circ\text{C}$ $V_{DD} = 5.0\text{V}$ $V_{SS} = 0\text{V}$			± 1	LSB
Zero transition voltage	V_{ZT}^{*1}			-50	10	70	mV
Full-scale transition voltage	V_{FT}^{*2}			4910	4970	5030	mV
Conversion time	t_{CONV}			$160/f_{ADC}^{*3}$			μs
Sampling time	t_{SAMP}			$12/f_{ADC}^{*3}$			μs
Analog input voltage	V_{IAN}	AN0 to AN5		0		V_{DD}	V

Fig. 5. Definitions for A/D converter terms



- *1 V_{ZT} : Digital conversion values change between $00\text{H} \leftarrow \rightarrow 01\text{H}$.
- *2 V_{FT} : Digital conversion values change between $0\text{E}\text{H} \leftarrow \rightarrow 0\text{F}\text{H}$.
- *3 f_{ADC} indicates the below values due to the bit 6 (CKS) of A/D control register (ADC: $00\text{F}9\text{H}$) and the bit 7 (PCK1) and bit 6 (PCK0) of clock control register (CLC: $00\text{F}\text{E}\text{H}$)

PCK1, 0	CKS	
	0 ($\phi/2$ selection)	1 (ϕ selection)
00 ($\phi = f_{EX}/2$)	$f_{ADC} = f_c/2$	$f_{ADC} = f_c$
01 ($\phi = f_{EX}/4$)	$f_{ADC} = f_c/4$	$f_{ADC} = f_c/2$
11 ($\phi = f_{EX}/16$)	$f_{ADC} = f_c/16$	$f_{ADC} = f_c/8$

(4) Interrupt, reset input (Ta = -20 to +75°C, VDD = 4.5 to 5.5V, VSS = 0V reference)

Item	Symbol	Pin	Condition	Min.	Max.	Unit
External interrupt high and low level widths	t _{IH}	$\overline{\text{INT0}}$		1		μs
	t _{IL}	$\overline{\text{INT1}}$ $\overline{\text{INT2}}$				
Reset input low level width	t _{RSL}	$\overline{\text{RST}}$		32/fc		μs

Fig. 6. Interrupt input timing

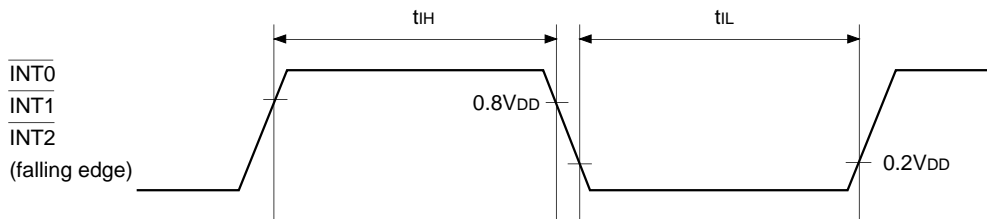
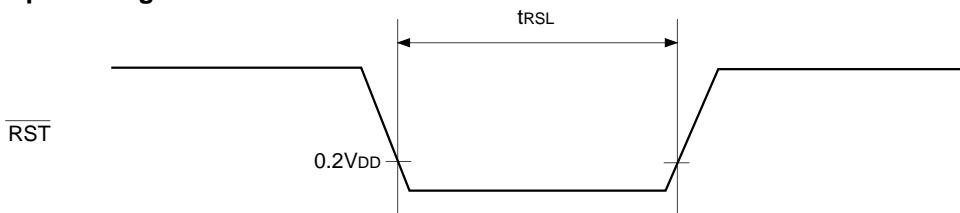


Fig. 7. RST input timing

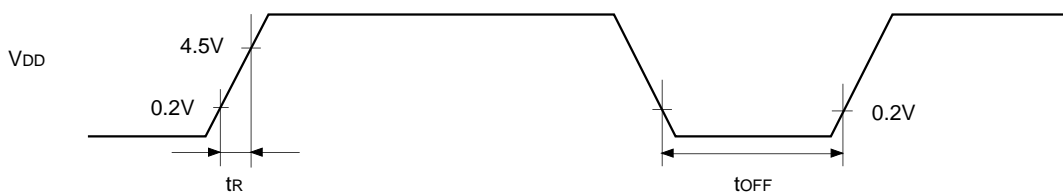


(5) Power-on reset*1 (Ta = -20 to +75°C, VSS = 0V reference)

Item	Symbol	Pin	Condition	Min.	Max.	Unit
Power supply rise time	t _R	V _{DD}	Power-on reset	0.05	50	ms
Power supply cutt-off time	t _{OFF}		Repeated power-on reset	1		ms

*1 Specified only when power-on reset function is selected.

Fig. 8. Power-on reset



Take care when turning on power.

(6) I2C bus timing

($T_a = -20$ to $+75^\circ\text{C}$, $V_{DD} = 4.5$ to 5.5V , $V_{SS} = 0\text{V}$ reference)

Item	Symbol	Pin	Condition	Min.	Max.	Unit
SCL clock frequency	f_{SCL}	SCL		0	100	kHz
Bus-free time before starting transfer	t_{BUF}	SDA, SCL		4.7		μs
Hold time for starting transfer	$t_{\text{HD; STA}}$	SDA, SCL		4.0		μs
Clock low level width	t_{LOW}	SCL		4.7		μs
Clock high level width	t_{HIGH}	SCL		4.0		μs
Set-up time for repeated transfers	$t_{\text{SU; STA}}$	SDA, SCL		4.7		μs
Data hold time	$t_{\text{HD; DAT}}$	SDA, SCL		0*1		μs
Data set-up time	$t_{\text{SU; DAT}}$	SDA, SCL		250		ns
SDA, SCL rise time	t_{R}	SDA, SCL			1	μs
SDA, SCL fall time	t_{F}	SDA, SCL			300	ns
Set-up time for transfer completion	$t_{\text{SU; STO}}$	SDA, SCL		4.7		μs

*1 For data hold time, the SCL rise time is not taken into account so that 300ns must be exceeded.

Fig. 9. I2C bus transfer data timing

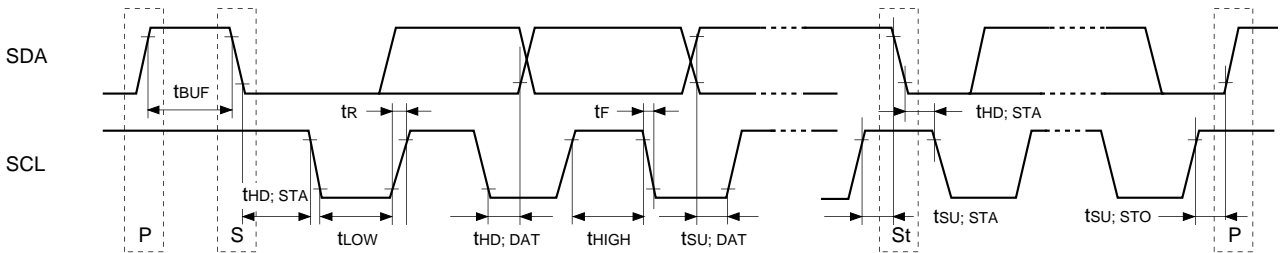
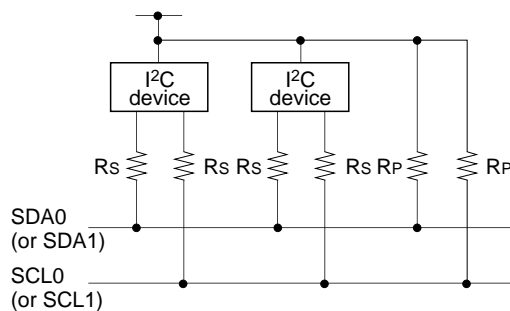


Fig. 10. I2C device recommended circuit



- A pull-up resistor must be connected to SDA0 (or SDA1), and SCL0 (or SCL1).
- The SDA0 (or SDA1) and SCL0 (or SCL1) series resistance ($R_s = 300\Omega$ or less) can be used to reduce spike noise caused by CRT flashover.

(7) OSD (On Screen Display) timing (Ta = -20 to +75°C, V_{DD} = 4.5 to 5.5V, V_{SS} = 0V reference)

Item	Symbol	Pin	Condiiton	Min.	Max.	Unit
OSD clock frequency	f _{OSC}	EXLC XLC	Fig. 12	4	16.5	MHz
HSYNC pulse width	t _{HWD}	HSYNC	Fig. 11	1.2		μs
HSYNC after-write rise and fall times	t _{HCG}	HSYNC	Fig. 11		200	ns
VSYNC before-write rise and fall times	t _{VCG}	VSYNC	Fig. 11		1.0	μs

Fig. 11. OSD timing

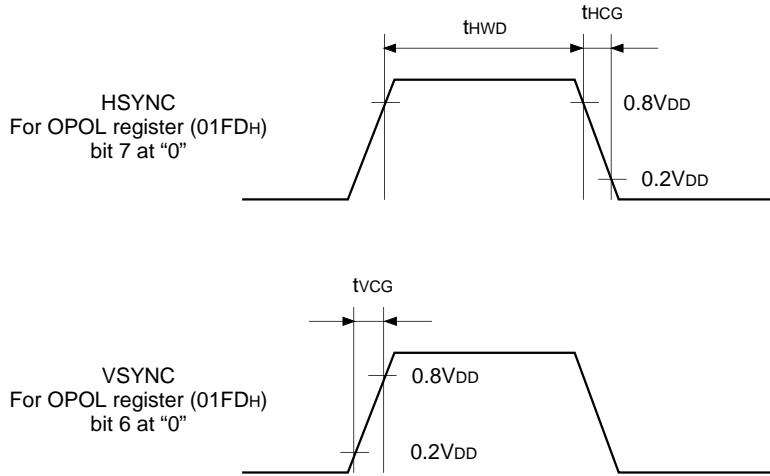
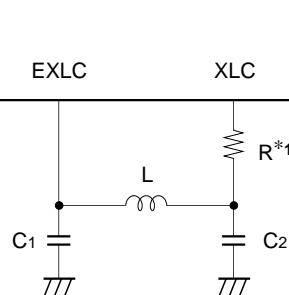


Fig. 12. LC oscillator circuit connection



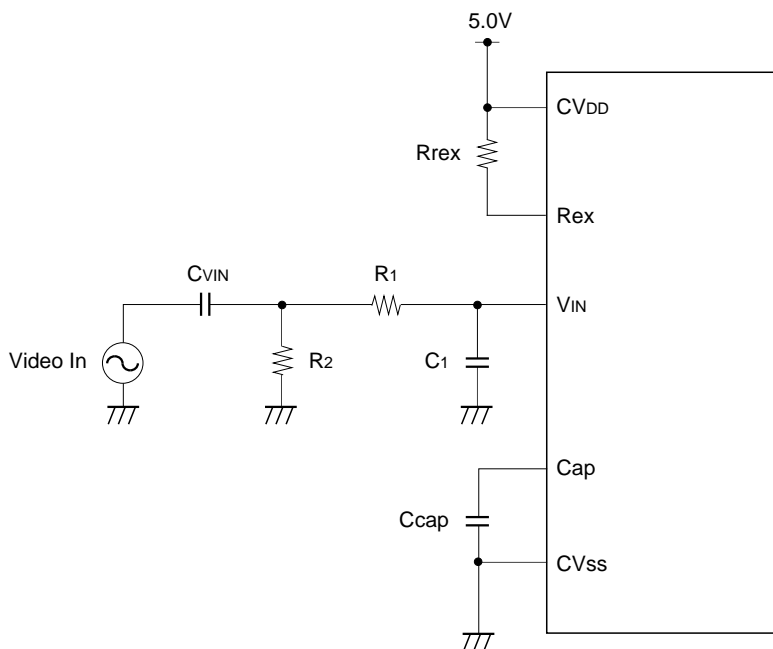
*1 The XLC series resistor can reduce the occurrence of undersired radiation.

(8) Data slicer external circuit

($T_a = -20$ to $+75^\circ\text{C}$, $V_{DD} = 4.5$ to 5.5V , $V_{SS} = 0\text{V}$ reference)

Item	Symbol	Pin	Min.	Typ.	Max.	Unit	Remarks
VIN pin coupling capacitor	C_{VIN}	VIN		0.47		μF	B or more of temperature characteristics is recommended.
Cap pin capacitor	C_{cap}	Cap		4700		pF	B or more of temperature characteristics is recommended.
Rex pin pull-up resistor	R_{rex}	Rex		33		$\text{k}\Omega$	
Composite video signal input	Video In	VIN		2.0		V_{p-p}	

Fig. 13. Data slicer external recommended circuit



[Recommended Constant]

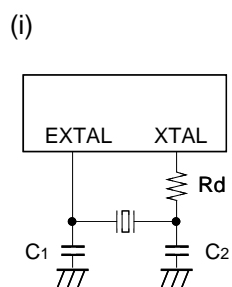
$R_1 = 100\Omega$ (error: 5%; allowable power dissipation: 1/8 W or more)

$R_2 = 1\text{M}\Omega$ (error: 5%; allowable power dissipation: 1/8 W or more)

$C_1 = 820\text{pF}$ (ceramic), B or more of temperature characteristics is recommended.

Supplement

Fig. 14. SPC700 Series recommended oscillation circuit



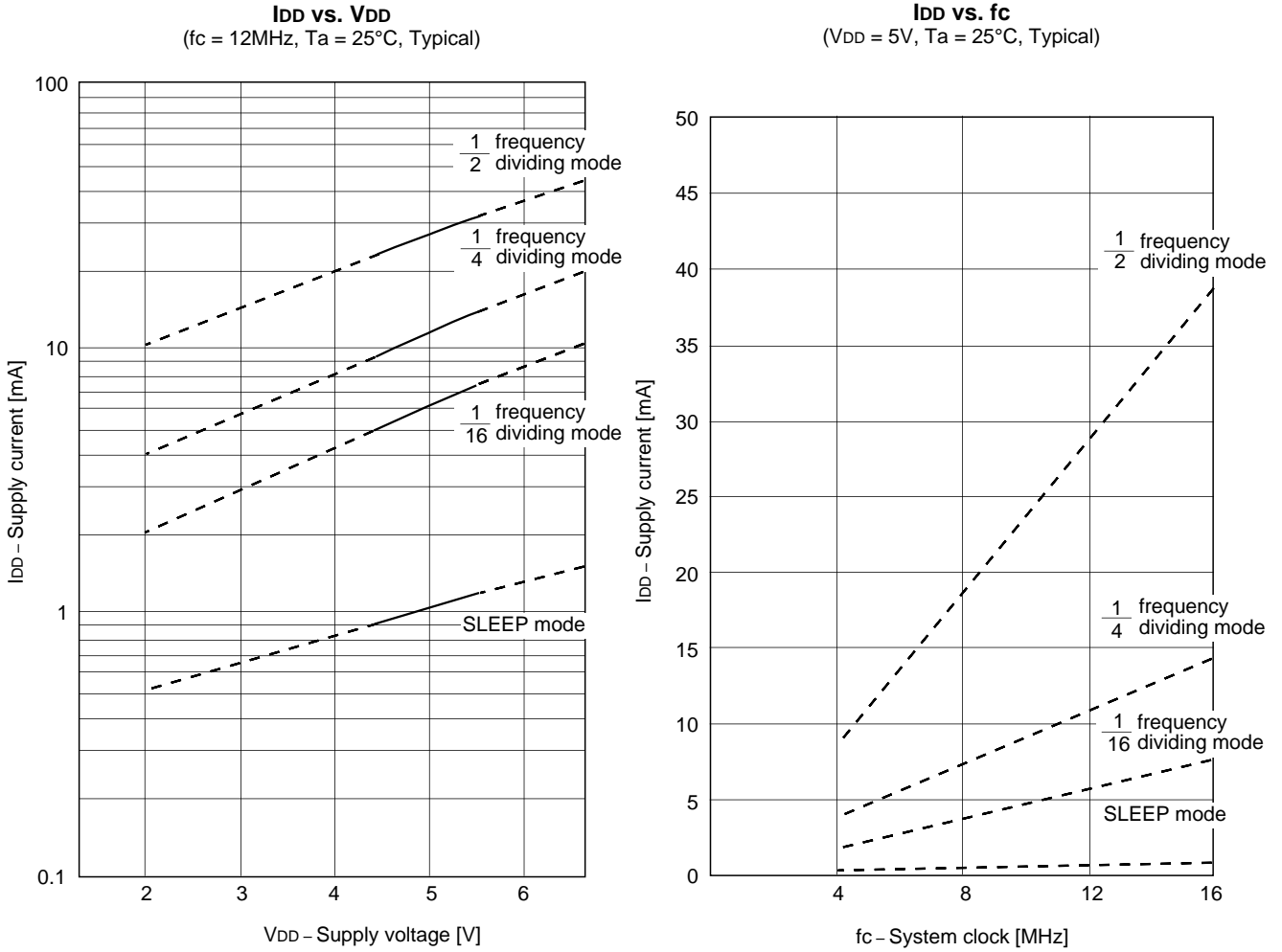
Manufacturer	Model	fc (MHz)	C1 (pF)	C2 (pF)	Rd (Ω)	Circuit example
RIVER ELETEC CO., LTD.	HC-49/U03	12.0	5	5	0*1	(i)
KINSEKI LTD.	HC-19/U (-S)	12.0	15	15	0*1	(i)

*1 The XTAL series resistor can reduce the effect of electrostatic discharge noise.

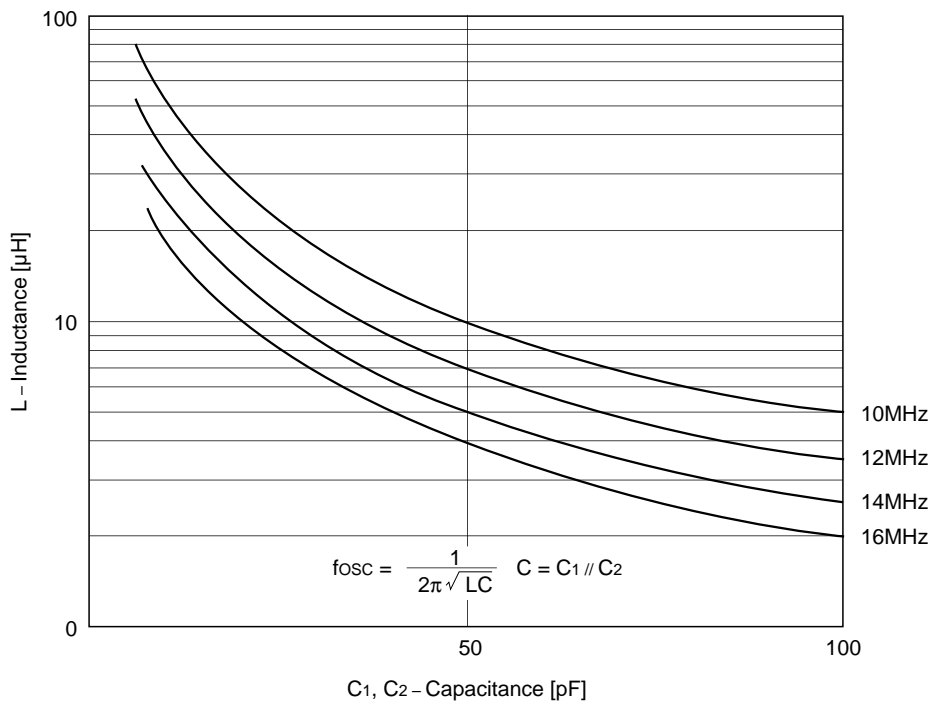
Mask Option Table

Item	Inclusion	
	Non-existent	Existent
Reset pin pull-up resistor	Non-existent	Existent
Power-on reset circuit	Non-existent	Existent

Fig. 15. Characteristics curves



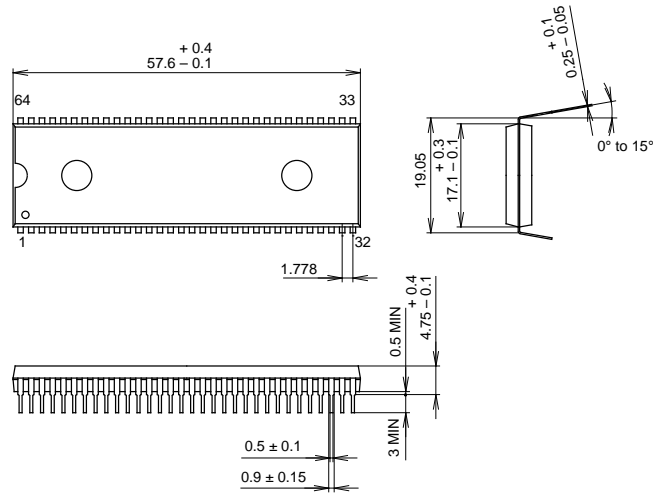
Parameter curve for OSD oscillation L vs. C
(theoretically calculated value)



Package Outline

Unit: mm

64PIN SDIP (PLASTIC) 750mil

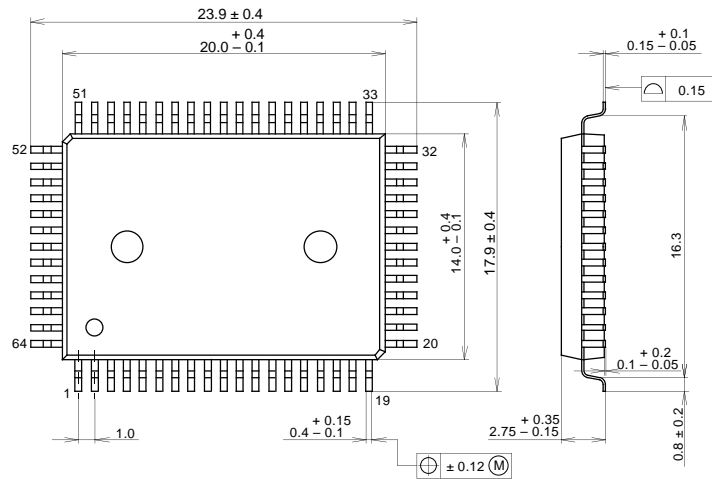


PACKAGE STRUCTURE

SONY CODE	SDIP-64P-01
EIAJ CODE	SDIP064-P-0750-A
JEDEC CODE	

MOLDING COMPOUND	EPOXY / PHENOL RESIN
LEAD TREATMENT	SOLDER PLATING
LEAD MATERIAL	42 ALLOY
PACKAGE WEIGHT	8.6g

64PIN QFP(PLASTIC)



PACKAGE STRUCTURE

SONY CODE	QFP-64P-L01
EIAJ CODE	*QFP064-P-1420
JEDEC CODE	

PACKAGE MATERIAL	EPOXY RESIN
LEAD TREATMENT	SOLDER/PALLADIUM PLATING
LEAD MATERIAL	COPPER /42 ALLOY
PACKAGE WEIGHT	1.5g