

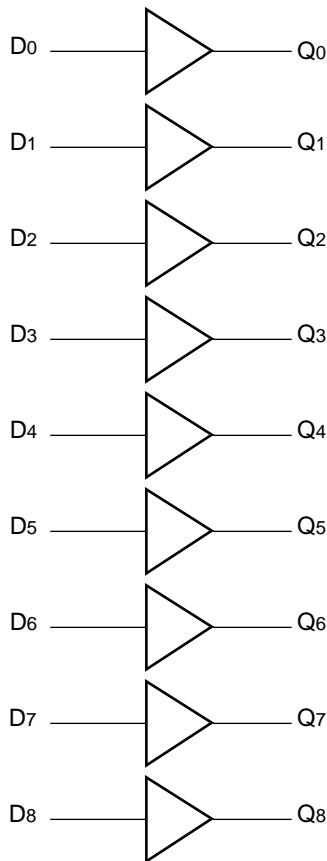
FEATURES

- 500ps max. propagation delay
- Extended 100E VEE range of -4.2V to -5.5V
- Fully compatible with industry standard 10KH, 100K I/O levels
- Internal 75KΩ input pulldown resistors
- Fully compatible with Motorola MC10E/100E122
- Available in 28-pin PLCC package

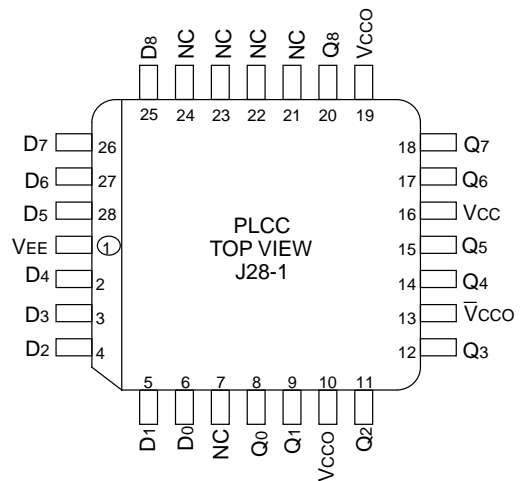
DESCRIPTION

The SY10/100E122 are 9-bit buffers designed for use in new, high-performance ECL systems. The E122 provides nine non-inverting buffers.

BLOCK DIAGRAM



PIN CONFIGURATION



PIN NAMES

Pin	Function
D0-D8	Data Inputs
Q0-Q8	Data Outputs
VCC0	Vcc to Output

DC ELECTRICAL CHARACTERISTICS

VEE = VEE (Min.) to VEE (Max.); VCC = VCCO = GND

Symbol	Parameter	TA = -40°C			TA = 0°C			TA = +25°C			TA = +85°C			Unit
		Min.	Typ.	Max.	Min.	Typ.	Max.	Min.	Typ.	Max.	Min.	Typ.	Max.	
I _{IH}	Input HIGH Current	—	—	200	—	—	200	—	—	200	—	—	200	μA
I _{EE}	Power Supply Current													mA
		10E	—	41	49	—	41	49	—	41	49	—	41	
		100E	—	41	49	—	41	49	—	41	49	—	47	57

AC ELECTRICAL CHARACTERISTICS

VEE = VEE (Min.) to VEE (Max.); VCC = VCCO = GND

Symbol	Parameter	TA = -40°C			TA = 0°C			TA = +25°C			TA = +85°C			Unit
		Min.	Typ.	Max.	Min.	Typ.	Max.	Min.	Typ.	Max.	Min.	Typ.	Max.	
t _{PLH} t _{PHL}	Propagation Delay to D to Q	150	350	500	150	350	500	150	350	500	150	350	500	ps
t _{skew}	Within-Device Skew D to Q ⁽¹⁾	—	75	—	—	75	—	—	75	—	—	75	—	ps
t _r t _f	Rise/Fall Time 20% to 80%	300	425	800	300	425	800	300	425	800	300	425	800	ps

NOTE:

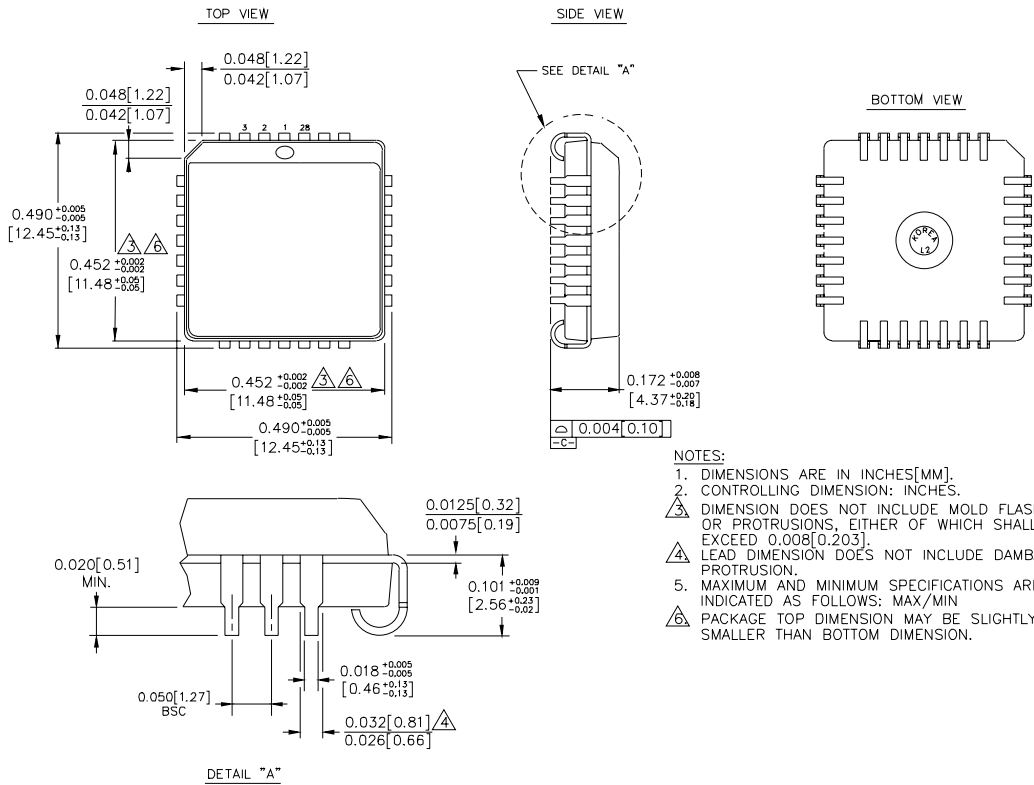
1. Within-device skew is defined as identical transitions on similar paths through a device.

PRODUCT ORDERING CODE

Ordering Code	Package Type	Operating Range
SY10E122JC	J28-1	Commercial
SY10E122JCTR	J28-1	Commercial
SY100E122JC	J28-1	Commercial
SY100E122JCTR	J28-1	Commercial

Ordering Code	Package Type	Operating Range
SY10E122JI	J28-1	Industrial
SY10E122JITR	J28-1	Industrial
SY100E122JI	J28-1	Industrial
SY100E122JITR	J28-1	Industrial

28 LEAD PLCC (J28-1)



- NOTES:**
1. DIMENSIONS ARE IN INCHES[MM].
 2. CONTROLLING DIMENSION: INCHES.
 3. DIMENSION DOES NOT INCLUDE MOLD FLASH OR PROTRUSIONS, EITHER OF WHICH SHALL NOT EXCEED 0.008[0.203].
 4. LEAD DIMENSION DOES NOT INCLUDE DAMBAR PROTRUSION.
 5. MAXIMUM AND MINIMUM SPECIFICATIONS ARE INDICATED AS FOLLOWS: MAX/MIN
 6. PACKAGE TOP DIMENSION MAY BE SLIGHTLY SMALLER THAN BOTTOM DIMENSION.

Rev. 03

MICREL-SYNERGY 3250 SCOTT BOULEVARD SANTA CLARA CA 95054 USA

TEL + 1 (408) 980-9191 FAX + 1 (408) 914-7878 WEB <http://www.micrel.com>

This information is believed to be accurate and reliable, however no responsibility is assumed by Micrel for its use nor for any infringement of patents or other rights of third parties resulting from its use. No license is granted by implication or otherwise under any patent or patent right of Micrel Inc.

© 2000 Micrel Incorporated
