

Features

DS5061

ISSUE 6

January 1999

- Loop Start Trunk Interface
- 600Ω & 900Ω Input Impedance
- 2-4 Wire Conversion
- Line state Detection Outputs:
 - - Forward Loop
 - - Reverse Loop
 - - Ringing Voltage
 - - Switch Hook
- One Relay Driver
- On-Hook Reception
- Small footprint area
- Meets FCC Part 68 Leakage Current Requirements

Ordering Information

MH88634BV-2	21 Pin SIL Package
MH88634BT-2	21 Pin 90° L/F Package
MH88634BV-4	21 Pin SIL Package

0°C to 70°C

Description

The Mitel MH88634-2 Central Office Interface Circuit trunk provides a complete analogue and signalling link between audio switching equipment and a telephone Line. The device is available in a single in line package for high packing densities or with a lead frame formed at 90° for low clearance applications.

The device is fabricated as a thick film hybrid incorporating various technologies for optimum circuit design and very high reliability.

This part supercedes the MH88634-2 and is pin for pin compatible.

We advise that the B rev parts are fully tested. However, we do not expect to see changes between MH88634-2 and MH88634BV-2.

The component design has been changed to improve the general performance of the part. It is also now capable of operating at a 24V battery.

Applications

Interface to Central Office for:

- PABX
- Key Telephone Systems
- Channel Bank
- Voice Mail
- Terminal Equipment
- Digital Loop Carrier
- Optical Multiplexer

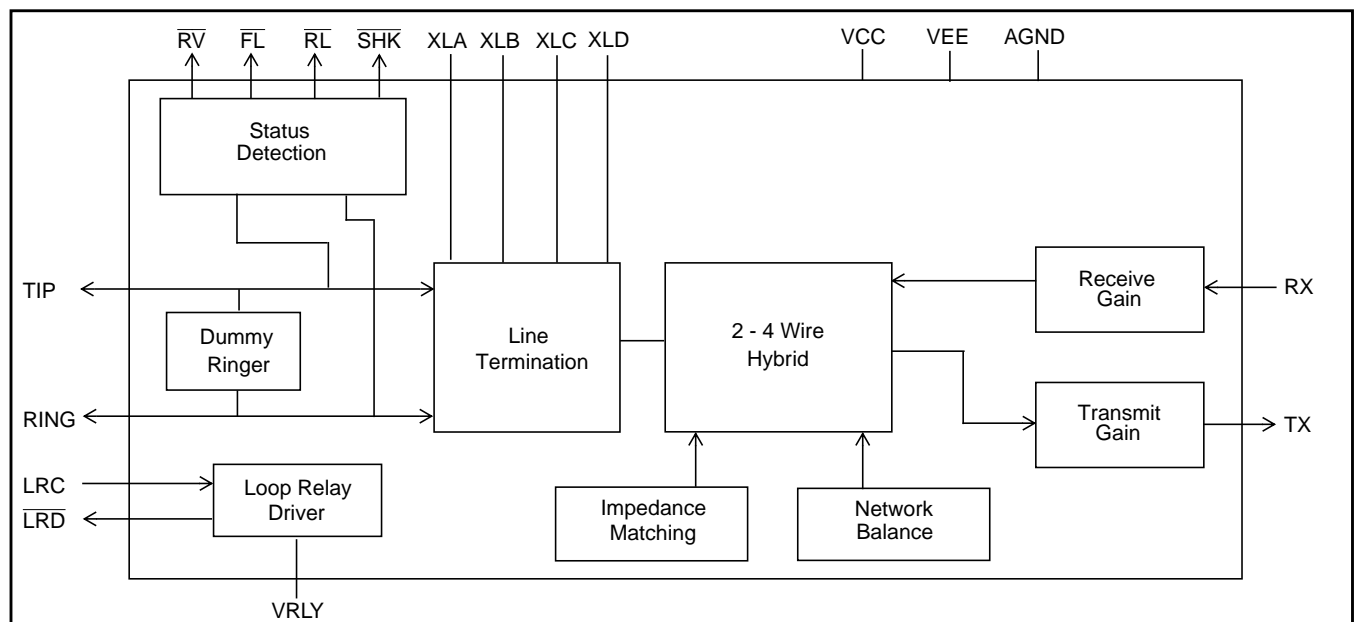


Figure 1 - Functional Block Diagram

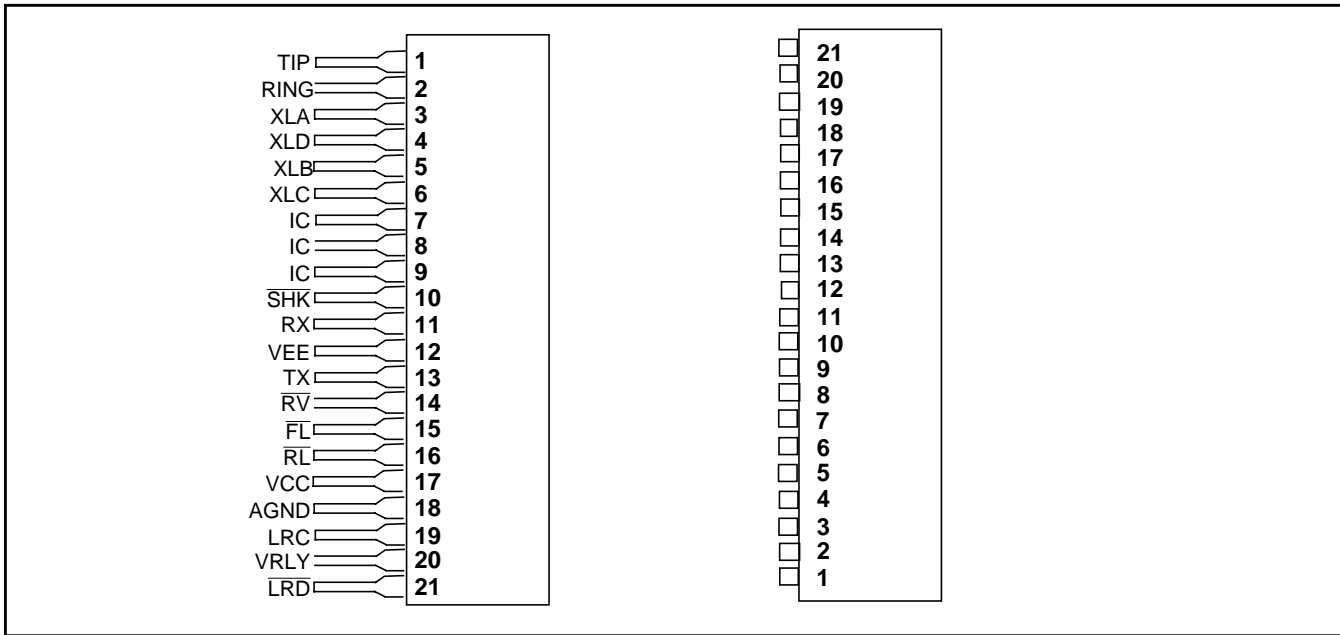


Figure 2 - Pin Connections

Pin Description

Pin #	Name	Description
1	TIP	Tip Lead. Connects to the "Tip" lead of a Telephone Line.
2	RING	Ring Lead. Connects to the "Ring" lead of a Telephone Line.
3	XLA	Loop Relay Contact A. Connects to XLB through the Loop relay (K1) contacts when the relay is activated.
4	XLD	Loop Relay Contact D. Connects to XLC through the loop relay (K1) contacts, when the relay is activated.
5	XLB	Loop Relay Contact B. Connects to XLA through the loop relay (K1) contacts, when the relay is activated.
6	XLC	Loop Relay Contact C. Connects to XLD through the loop relay (K1) contacts, when the relay is activated.
7-9	IC	Internal Connection. No connection should be made to this pin.
10	SHK	Switch Hook (Output). A logic 0 indicates the presence of forward or reverse battery voltage when LRC is logic 0 and the presence of forward or reverse loop current when LRC is logic 1.
11	RX	Receive (Input). 4-Wire ground (AGND) referenced analog input.
12	VEE	Negative Supply Voltage. -5V DC
13	TX	Transmit (Output). 4-Wire ground (AGND) referenced analog output.
14	RV	Ringing Voltage Detect (Output). A logic low indicates that ringing voltage is across the Tip and Ring leads.
15	FL	Forward Loop Detect (Output). In the on-hook state, a logic 0 output indicates that forward loop battery is present. In the off-hook state, a logic 0 indicates that forward loop current is present.
16	RL	Reverse Loop Detect (Output). In the on-hook state, a logic 0 output indicates that reverse loop battery is present. In the off-hook state, a logic 0 output indicates that reverse loop current is present.
17	VCC	Positive Supply Voltage. +5V DC

Pin Description (continued)

18	AGND	Analog Ground. 4-wire ground (AGND). Normally connected to system ground.
19	LRC	Loop Relay Control (Input). A logic 1 activates the Loop Relay Driver output ($\overline{\text{LRD}}$).
20	VRLY	Relay Positive Supply Voltage. Typically +5V. Connects to the relay supply voltage.
21	$\overline{\text{LRD}}$	Loop Relay Drive (Output). Connects to the Loop Relay Coil. When LRC is at a logic 1 an open collector output at $\overline{\text{LRD}}$ sinks current and energizes the relay.

Functional Description

The MH88634 is a Central Office Interface Circuit (COIC). It is used to correctly terminate a Central Office 2-wire telephone line. The device provides a signalling link and a 2-4 Wire line interface between the Telephone Line and subscriber equipment. The subscriber equipment can include Private Branch Exchanges (PBXs), Key Telephone Systems, Terminal Equipment, Digital Loop Carriers and Wireless Local Loops.

All descriptions assume that the device is connected as in the application circuit shown in Figure 3.

Isolation Barrier

The MH88634 provides an isolation barrier which is designed to meet FCC Part 68 (November 1987) Leakage Current Requirements.

External Protection Circuit

An external Protection Circuit Device assists in preventing damage to the device and the subscriber's equipment, due to over-voltage conditions. The type of protection required is dependant upon the application and regulatory standards. Further details should be obtained from the specific country's regulatory body. Typically you will need lightening protection supplied by resettable fuses or PTC™ and mains crossover protection via a foldover diode.

Suitable Markets

The MH88634BV-2/BT-2 has fixed 600Ω line and network balance impedance for use in North America and Asia.

The MH88634BV-4 has a fixed 900R impedance and is also suitable for some applications in North and South America

Line Termination

When LRC is at a logic 1, $\overline{\text{LRD}}$ will sink current which energizes the Loop Relay (K1), connecting XLA to XLB and XLC to XLD. This places a line termination across Tip and Ring. The device can be considered to be in an off-hook state and DC loop current will flow. The line termination consists of a DC resistance and an AC impedance. When LRC is at a logic 0, the line termination is removed from across Tip and Ring.

An internal Dummy Ringer is permanently connected across Tip and Ring which is a series AC load of (17kΩ+330nF). This represents a mechanical telephone ringer and allows ringing voltages to be sensed. This load can be considered negligible when the line has been terminated.

Depending on the Network Protocol being used the Line Termination can terminate an incoming call, seize the line for an outgoing call, or if applied and disconnected at the correct rate can be used to generate dial pulse signals.

The DC line termination circuitry provides the line with an active DC load termination which is equivalent to a DC resistance of 280Ω at 20mA

Ringing Equivalent Number

The Ringing Equivalent Number (REN) is application specific. See the governing regulatory body specification for details.

Input Impedance

The input impedance (Z_{in}) is the AC impedance that the MH88634 places across Tip and Ring to terminate the Telephone line. This is fixed at 600Ω on the -2 variant and 900R on the -4.

Network Balance Impedance

The MH88634BV-2/BT-2's Network Balance Impedance is fixed at 600Ω.

The MH88634BV-4 Network Balance Impedance is fixed at 900R.

2-4 Wire Conversion

The device converts the balanced 2-Wire input, presented by the line at Tip and Ring, to a ground referenced signal at TX. This circuit operates with or without loop current; signal reception with no loop current is required for on-hook reception enabling the detection of Caller Line Identification (CLI) signals.

Conversely the device converts the ground referenced signal input at RX, to a balanced 2-Wire signal across Tip and Ring.

The 4-Wire side (TX and RX) can be interfaced to a filter/codec, such as the Mitel MT896X, for use in digital voice switched systems

During full duplex transmission, the signal at Tip and Ring consists of both the signal from the device to the line and the signal from the line to the device. The signal input at RX, being sent to the line, must not appear at the output TX. In order to prevent this, the device has an internal cancellation circuit. The measure of attenuation is Transhybrid Loss (THL).

Transmit and Receive Gain

The Transmit Gain of the device is the gain from the balanced signal across Tip and Ring to the ground referenced signal at TX. It is set at 0dB.

The Receive Gain of the device is the gain from the ground referenced signal at RX to the balanced signal across Tip and Ring. It is set at -2dB.

Supervision Features

Line Status Detection Outputs

The MH88634 supervisory circuitry provides the signalling status outputs which are monitored by the system controller. The supervisory circuitry is capable of detecting: Ringing Voltage; Forward and Reverse loop battery; Forward and Reverse loop current; and Switch Hook.

Ringing Voltage Detect Output (RV)

The \overline{RV} output provides a logic 0 when ringing voltage is detected across Tip and Ring. This detector includes a filter which ensures that the output toggles at the ringing cadence and not at the ringing frequency. Typically this output switches to a logic 0 after 50ms of applied ringing voltage and remains at a logic 0 for 50ms after ringing voltage is removed.

The threshold is different on the two variants. The 900R part has been designed to meet the ring sensitivity requirements of TR57, 30 not detecting ringin below 35Vrms.

Forward Loop and Reverse Loop Detect Outputs (FL & RL)

The \overline{FL} output provides a logic 0 when either forward loop battery or forward loop current is detected, that is the Ring pin voltage is more negative than the Tip pin voltage.

The \overline{RL} output provides a logic 0 when either reverse loop battery or reverse loop current is detected, that is the Tip pin voltage is more negative than the Ring pin voltage.

Switch Hook (\overline{SHK})

The \overline{SHK} output is active if either forward loop or reverse loop current is detected, or if forward or reverse battery voltage is detected.

Control Input

The MH88634 accepts a control signal from the system controller at the Loop Relay Control input (LRC). This energises the relay drive output Loop Relay Drive (LRD). The output is active low and has an internal clamp diode to VRLY.

The intended use of this relay driver is to add and remove the Line Termination from across Tip and Ring, as shown in Figure 3.

If this Control input and the Supervisory Features are used as indicated in Figure 3, Loop-Start Signalling can be implemented.

Mechanical Data

See Figure 9 for details of the mechanical specification.

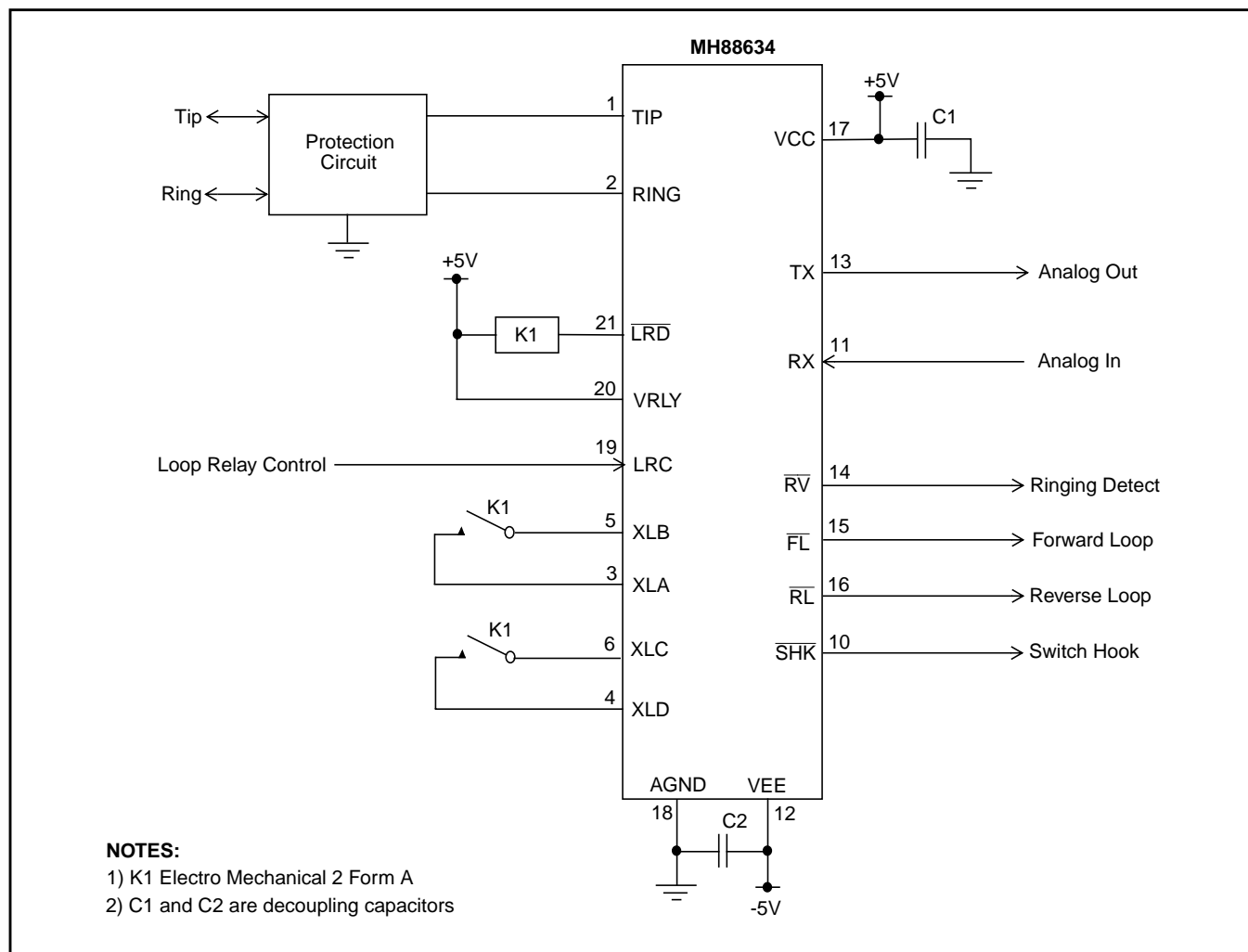


Figure 3 - Typical LS Application Circuit

Absolute Maximum Ratings*

	Parameters	Sym	Min	Max	Units	Comments
1	DC Supply Voltages	V_{CC} V_{EE}	-0.3 0.3	7 -7	V V	
2	DC Ring Relay Voltage	V_{RLY}	-0.3	18	V	
3	Storage Temperature	T_S	-55	+125	°C	
4	Ring Trip Current	I_{TRIP}		180	mArms	250ms 10% duty cycle or 500ms single shot

*Exceeding these values may cause permanent damage. Functional operation under these conditions is not implied.

Recommended Operating Conditions

	Parameters	Sym	Min	Typ [‡]	Max	Units
1	DC Supply Voltages	V_{CC} V_{EE}	4.75 -4.75	5.0 -5.0	5.25 -5.25	V V
2	DC Ring Relay Voltage	V_{RLY}		5.0	15	V
3	Operating Temperature	T_{OP}	0	25	70	°C

‡ Typical figures are at 25°C with nominal 5V supplies and are for design aid only.

DC Electrical Characteristics[†]

		Characteristics	Sym	Min	Typ [‡]	Max	Units	Test Conditions
1		Supply Current	I_{CC} I_{EE}		5 2.5	13 13	mA mA	
2		Power Consumption	PC		37.5	137	mW	V_{BAT} not connected
3	\overline{FL} \overline{RL} \overline{SHK} \overline{RV}	Low Level Output Voltage High Level Output Voltage	V_{OL} V_{OH}	2.4		0.5	V V	$I_{OL} = 4mA$ $I_{OH} = 0.4mA$
4	\overline{LRD}	Sink Current, Relay to V_{CC} Clamp Diode Current	I_{OL} I_{CD}	100 150			mA mA	$V_{OL} = 0.35V$ not continuous, LRC=5V
5	LRC	Low Level Input Voltage High Level Input Voltage	V_{IL} V_{IH}	2.0		0.8	V V	
6	LRC	High Level Input Current Low Level Input Current	I_{IH} I_{IL}			40 40	μA μA	$V_{IH} = 5.0V$

† Electrical Characteristics are over recommended operating conditions unless otherwise stated.

‡ Typical figures are at 25°C with nominal 5V supplies and are for design aid only.

DC Electrical Characteristics†

	Characteristics	Symbol	Min	Typ‡	Max	Units	Test Conditions
1	Ringing Voltage	VR	40	90	150	V _{rms}	-2 Variant only 17 to 68Hz
2	Detect No Detect	VR	60		106 35	V _{rms}	-4 Variant only -4 Variant only 16-33Hz (TR57 compliant)
3	Operating Loop Current		16		70	mA	
4	Off-Hook DC Resistance			270	280	Ω	@ 20mA Note 1
5	Leakage Current (Tip-Ring to AGND)				7	mArms	@ 1000VAC
6	\overline{SHK} & \overline{FL} Threshold Tip-Ring (On-hook) Tip-Ring Current (Off-Hook)		12 5		21 15	Vdc mA	$\overline{LRC} = 0V$ $\overline{LRC} = 5V$
7	\overline{SHK} & \overline{RL} Threshold Tip-Ring (On-Hook) Tip-Ring Current (Off-Hook)		12 -5		21 -15	Vdc mA	$\overline{LRC} = 0V$ $\overline{LRC} = 5V$

† Electrical Characteristics are over recommended operating conditions unless otherwise stated.

‡ Typical figures are at 25°C with nominal 5V supplies and are for design aid only.

Note 1: Maximum figure of 282Ω at 0°C

AC Electrical Characteristics[†]

	Characteristics	Symbol	Min	Typ [‡]	Max	Units	Test Conditions
1	2-wire Input Impedance	Z _{in}		600 900		Ω	-2 Variant -4 Variant
2	Return Loss at 2-wire	RL	20	29		dB	Test Circuit as Fig 6 200-3400 Hz
3	Longitudinal to Metallic Balance		58 55 53	60 60 58		dB dB dB	Test Circuit as Fig 7 200Hz 1000Hz 3400Hz
4	Transhybrid Loss	THL	20	27		dB	200-3400Hz
5	Gain, 2 wire to TX		-0.25 -0.3	0 0	0.25 0.3	dB dB	Test Circuit as Fig 4 1000Hz 200-3400Hz
6	Gain, Rx to 2 wire		-2.25 -0.3	-2 0	-1.75 0.3	dB dB	Test Circuit as Fig 5 1000Hz 200-3400Hz
7	Input impedance at RX			10		kΩ	
8	Output impedance at TX			5		Ω	
9	Signal Overload Level		4.0			dBm	% THD ≤ 5% @ 20mA
	at 2-wire		1.7			dBm	
10	Total Harmonic Distortion	THD			1.0	%	Input 0.5V, 1kHz @ RX
	at 2-wire				1.0	%	Input 0.5V, 1kHz @ Tip-Ring
	at TX						
11	Idle Channel Noise	NC		15	16.5	dBrnC	
	at 2-Wire			15	16.5	dBrnC	
	at TX						
12	Power Supply Rejection Ratio	PSRR					Ripple 0.1V, 1kHz
	at 2-wire and TX						
	V _{CC}		25	48		dB	
	V _{EE}		25	47		dB	
13	On-Hook Gain, 2-Wire to TX		-1	0	1	dB	Input 1000Hz @ 0.5V
	Relative to Off-Hook Gain						
14	Met. to Long. Balance						Test Circuit as Fig. 8
	-2 Variant		60	62			200-1000Hz
			40	48			1000-3400Hz
	-4 Variant		55	62			200-1000Hz
			40	48			1000-3400Hz
15	Common Mode Rejection Ratio	CMRR	48	55		dB	Test Circuit as Fig. 7 1000Hz, $\overline{FL} = 0V$, I _{Loop} = 25mA

[†] Electrical Characteristics are over recommended operating conditions unless otherwise stated.

[‡] Typical figures are at 25°C with nominal 5V supplies and are for design aid only.

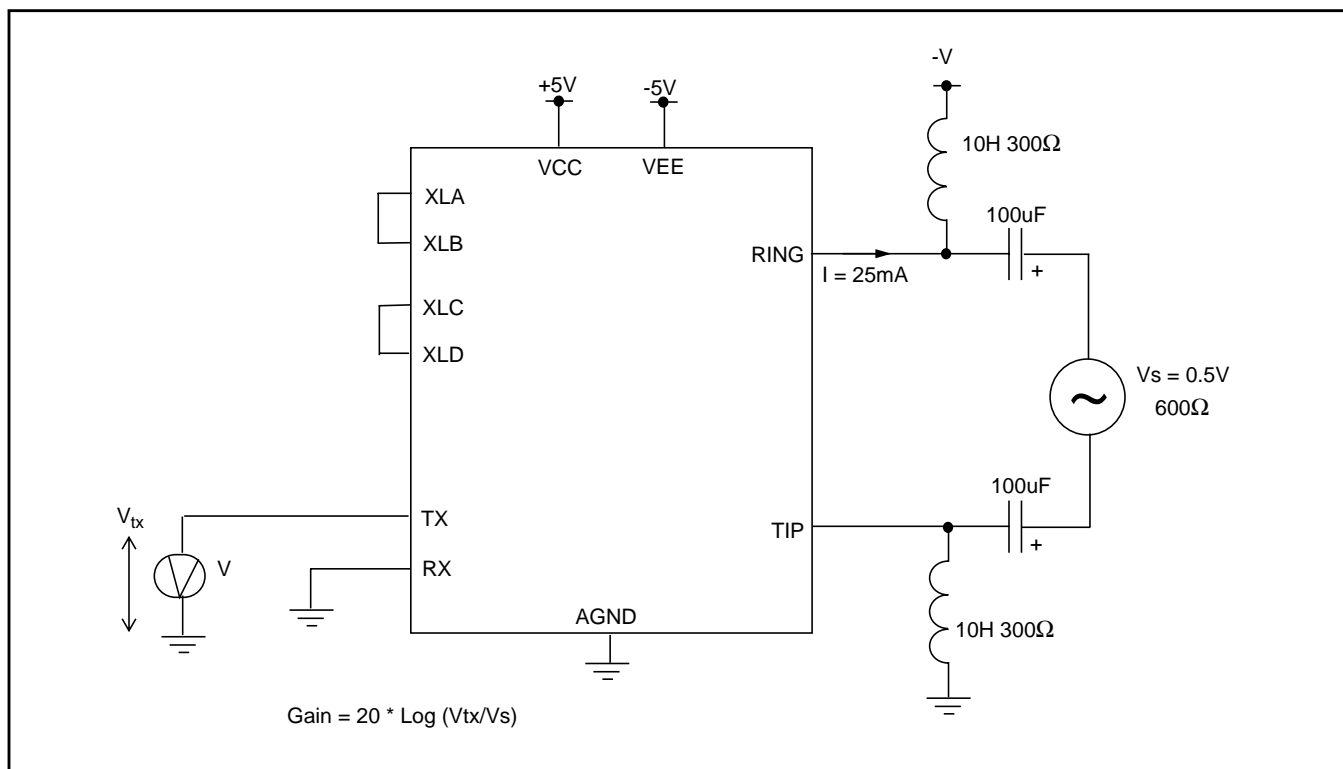


Figure 4 - 2-4 Wire Gain Test Circuit

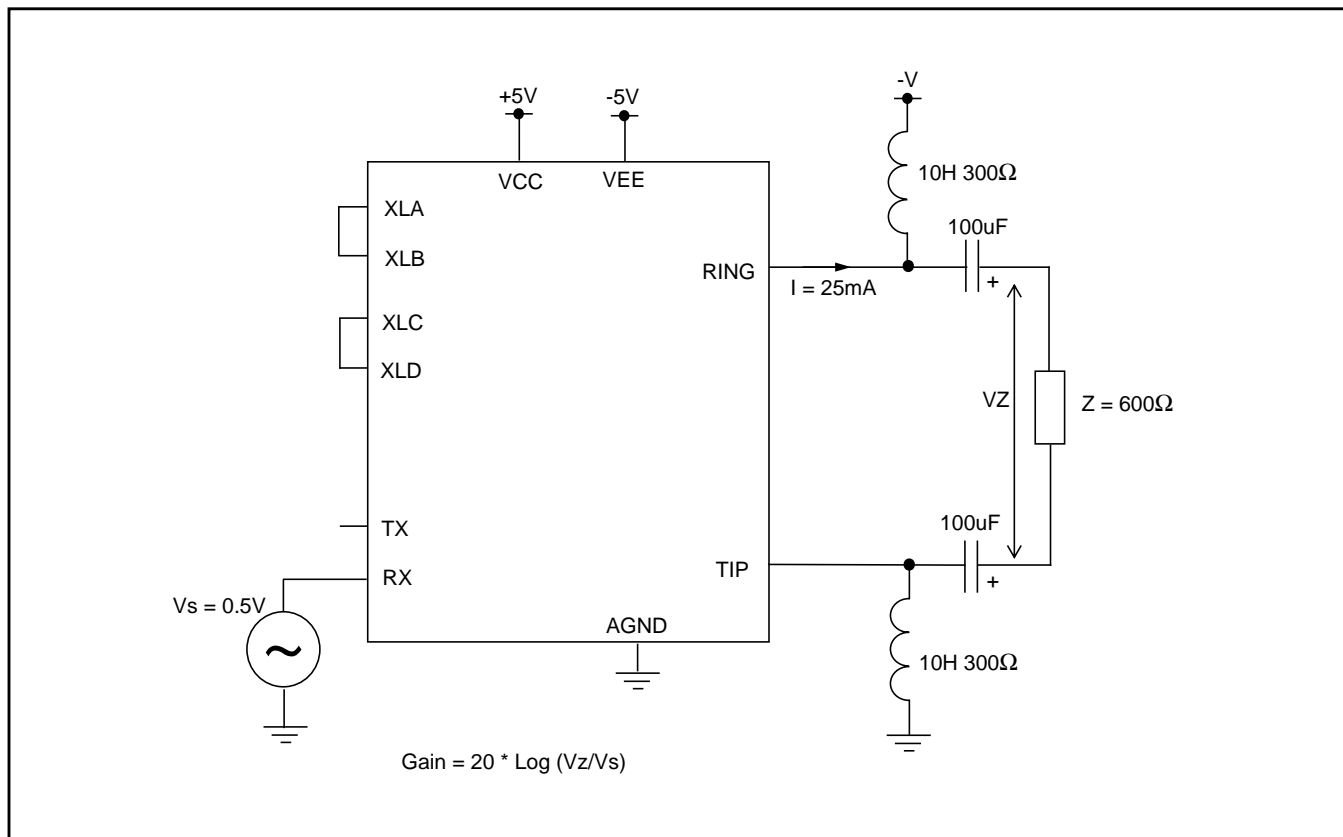


Figure 5 - 4-2 Wire Gain Test Circuit

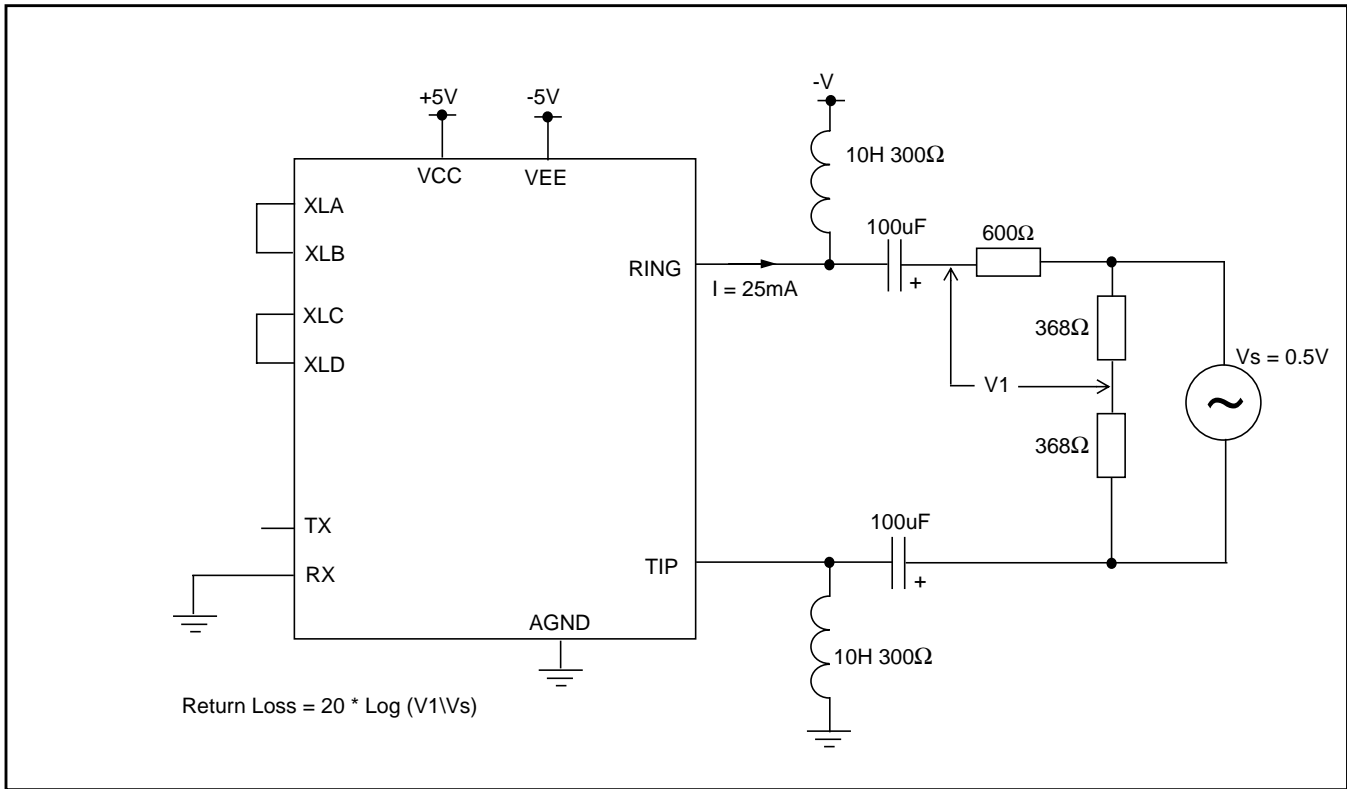


Figure 6 - Return Loss Test Circuit

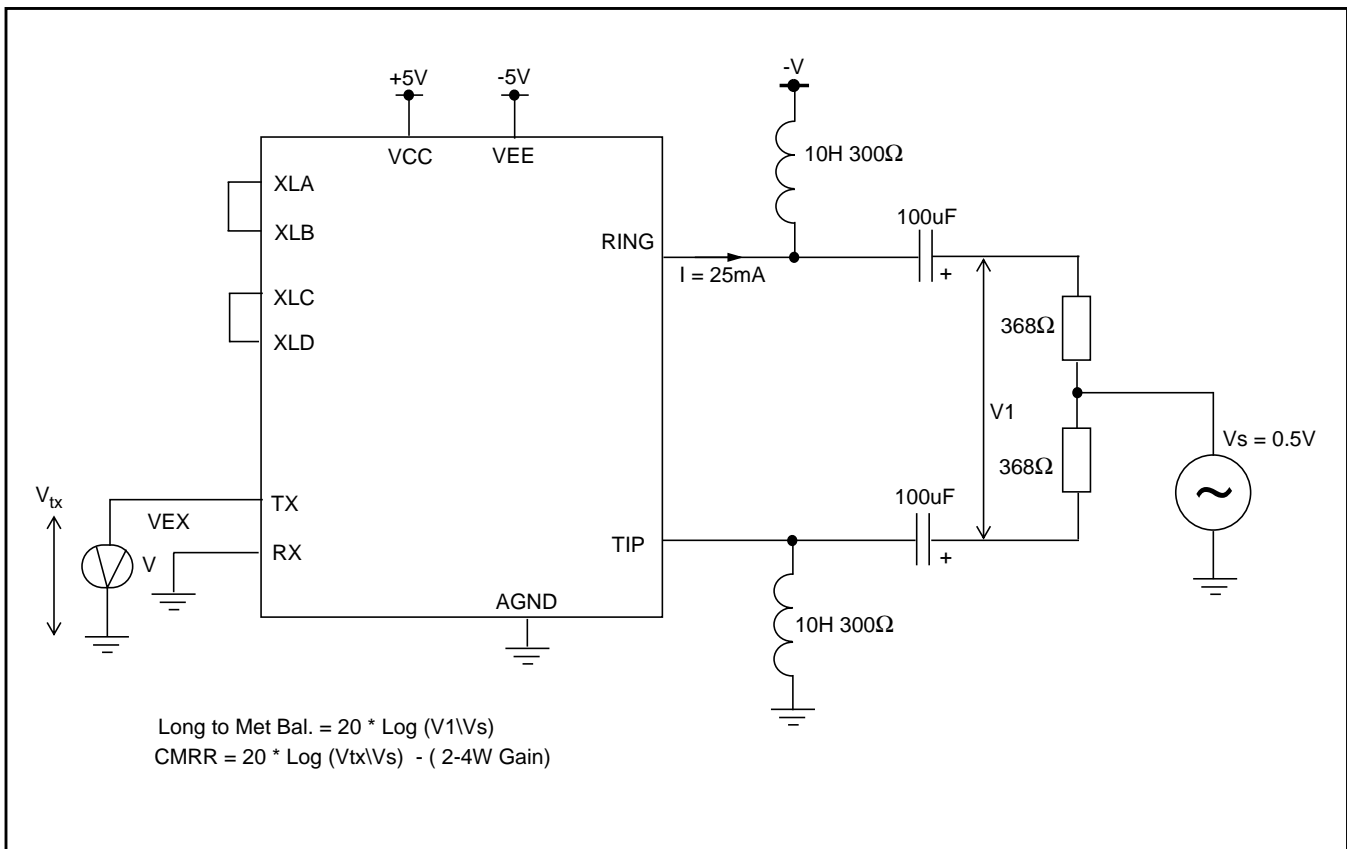


Figure 7 - Longitudinal to Metallic Balance and CMRR Test Circuit

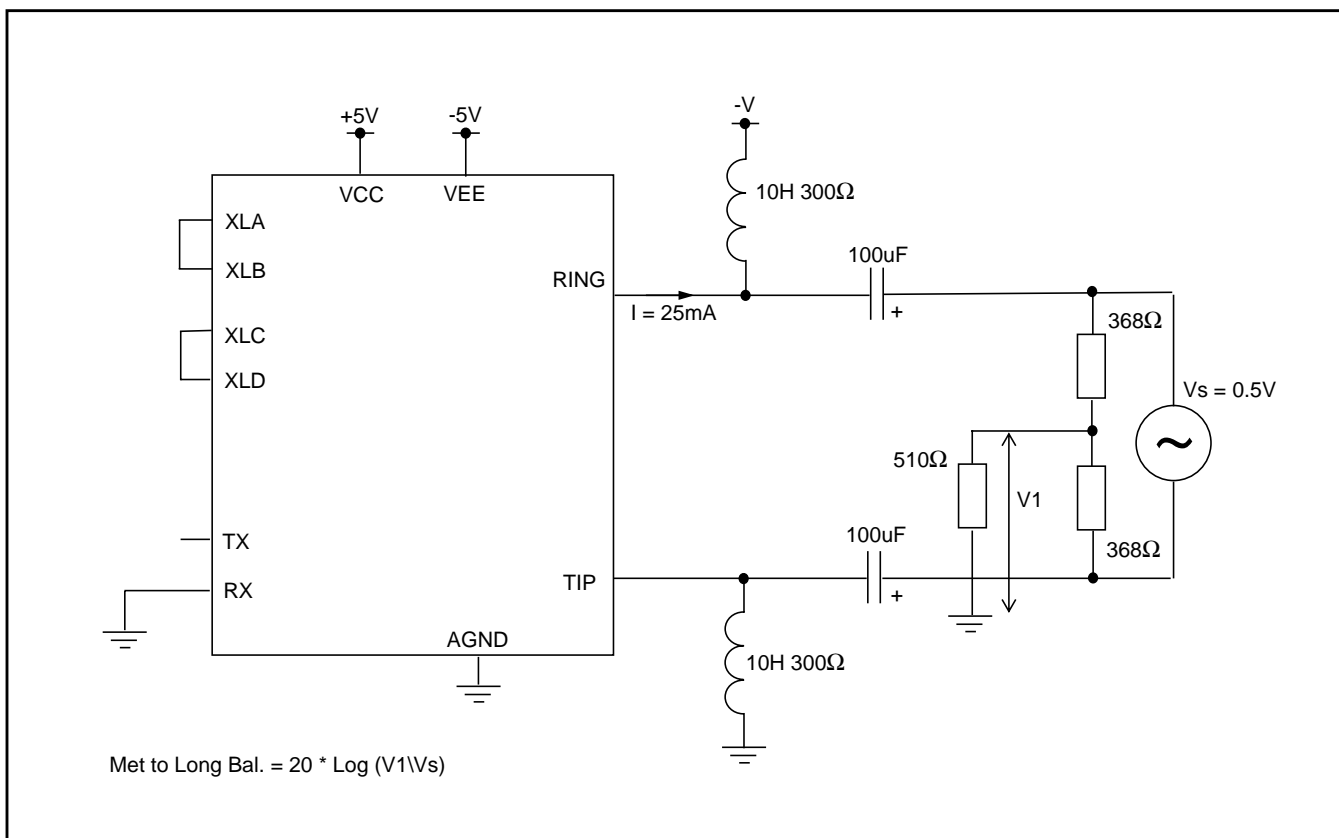


Figure 8 - Metallic to Longitudinal Balance Test Circuit

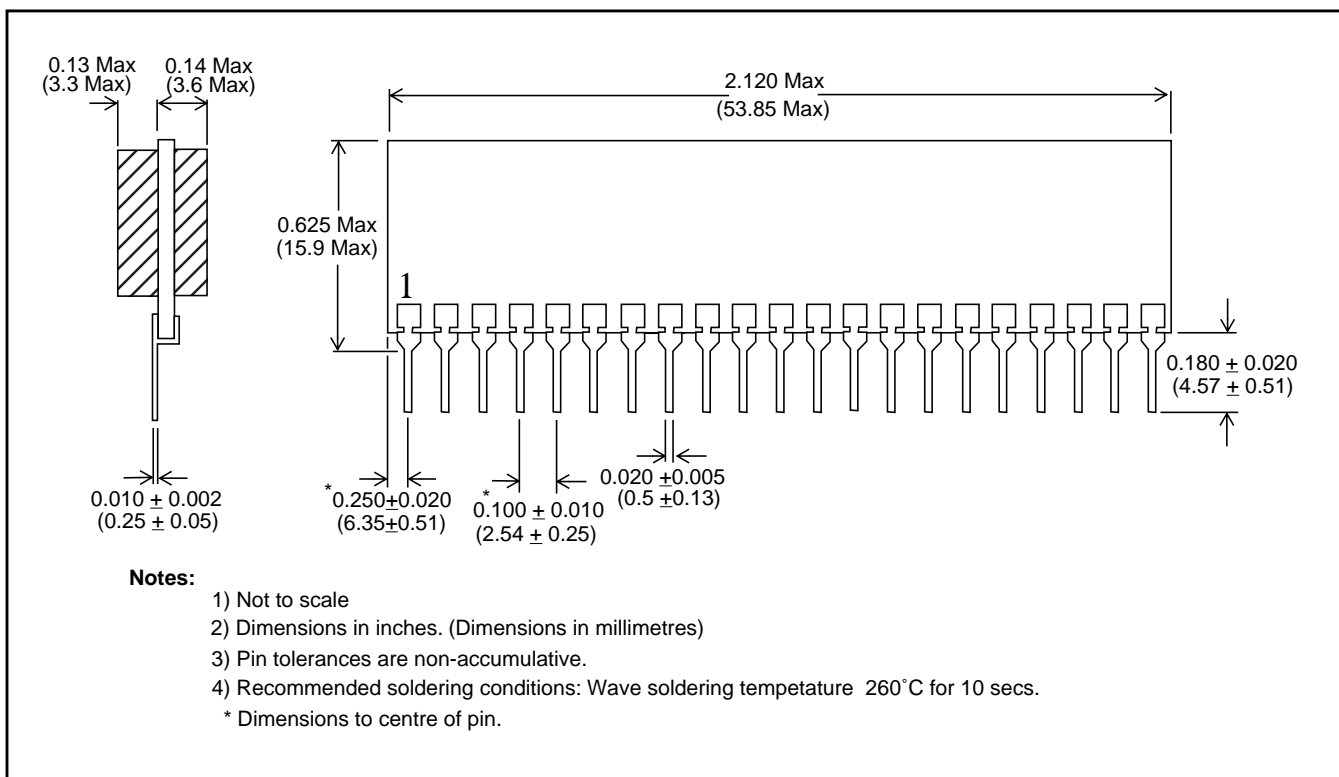


Figure 9 - Mechanical Data

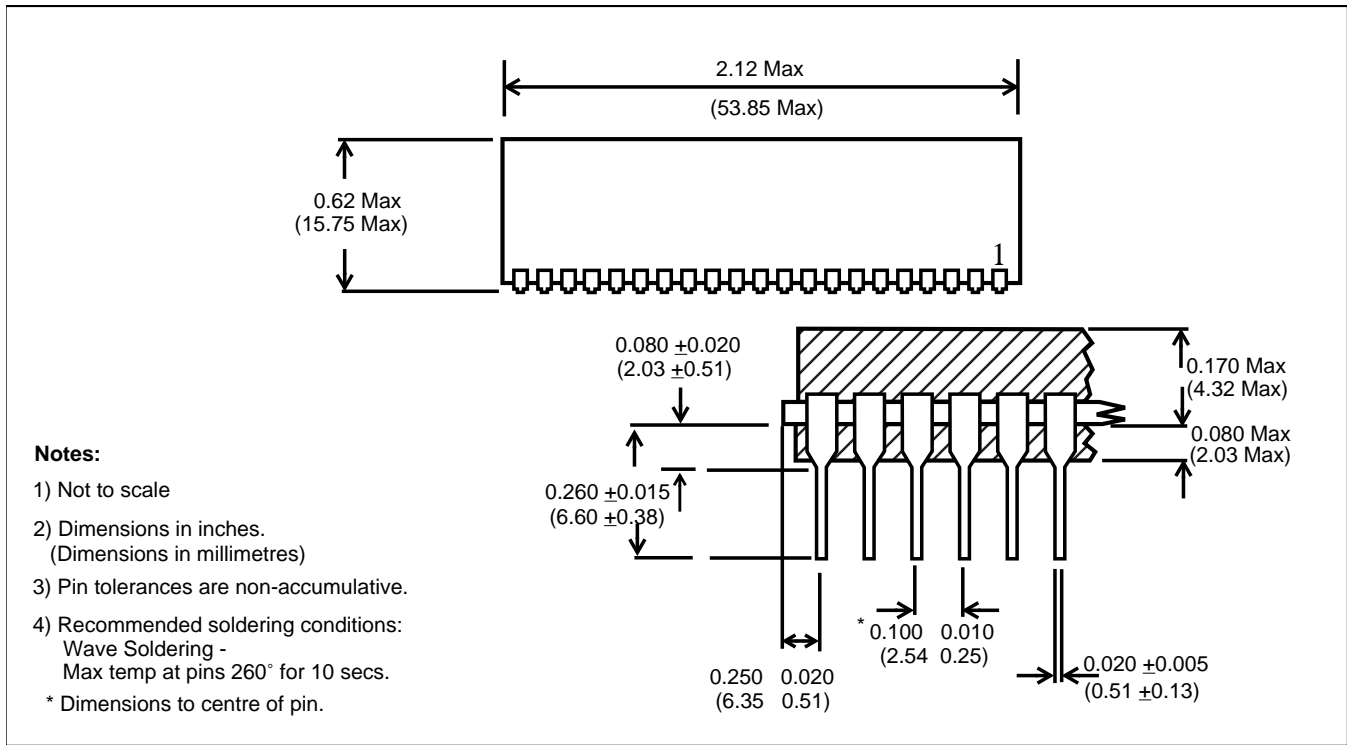


Figure 10 - MH88634T-2 Mechanical Information



<http://www.mitelsemi.com>

World Headquarters - Canada

Tel: +1 (613) 592 2122
Fax: +1 (613) 592 6909

North America

Tel: +1 (770) 486 0194
Fax: +1 (770) 631 8213

Asia/Pacific

Tel: +65 333 6193
Fax: +65 333 6192

**Europe, Middle East,
and Africa (EMEA)**

Tel: +44 (0) 1793 518528
Fax: +44 (0) 1793 518581

Information relating to products and services furnished herein by Mitel Corporation or its subsidiaries (collectively "Mitel") is believed to be reliable. However, Mitel assumes no liability for errors that may appear in this publication, or for liability otherwise arising from the application or use of any such information, product or service or for any infringement of patents or other intellectual property rights owned by third parties which may result from such application or use. Neither the supply of such information or purchase of product or service conveys any license, either express or implied, under patents or other intellectual property rights owned by Mitel or licensed from third parties by Mitel, whatsoever. Purchasers of products are also hereby notified that the use of product in certain ways or in combination with Mitel, or non-Mitel furnished goods or services may infringe patents or other intellectual property rights owned by Mitel.

This publication is issued to provide information only and (unless agreed by Mitel in writing) may not be used, applied or reproduced for any purpose nor form part of any order or contract nor to be regarded as a representation relating to the products or services concerned. The products, their specifications, services and other information appearing in this publication are subject to change by Mitel without notice. No warranty or guarantee express or implied is made regarding the capability, performance or suitability of any product or service. Information concerning possible methods of use is provided as a guide only and does not constitute any guarantee that such methods of use will be satisfactory in a specific piece of equipment. It is the user's responsibility to fully determine the performance and suitability of any equipment using such information and to ensure that any publication or data used is up to date and has not been superseded. Manufacturing does not necessarily include testing of all functions or parameters. These products are not suitable for use in any medical products whose failure to perform may result in significant injury or death to the user. All products and materials are sold and services provided subject to Mitel's conditions of sale which are available on request.

M Mitel (design) and ST-BUS are registered trademarks of MITEL Corporation
Mitel Semiconductor is an ISO 9001 Registered Company
Copyright 1999 MITEL Corporation
All Rights Reserved
Printed in CANADA

TECHNICAL DOCUMENTATION - NOT FOR RESALE