

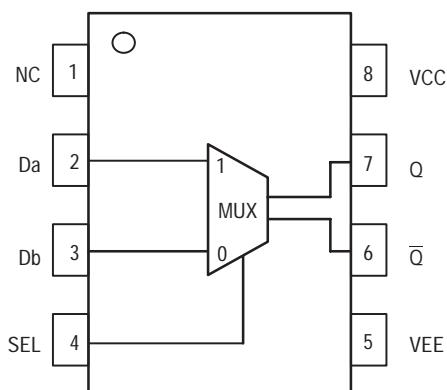
# MC100LVEL58

## 2:1 Multiplexer

The MC100LVEL58 is a 2:1 multiplexer. The device is pin and functionally equivalent to the EL58 and works from a  $-3.3\text{V}$  supply. With AC performance similar to the EL58 device, the LVEL58 is ideal for low voltage applications which require the ultimate in AC performance.

- 440ps Typical Propagation Delays
- High Bandwidth Output Transitions
- PECL mode: 3.0V to 5.5V  $V_{CC}$  with  $V_{EE} = 0\text{V}$
- ECL mode: 0V  $V_{CC}$  with  $V_{EE} = -3.0\text{V}$  to  $-5.5\text{V}$
- 75k $\Omega$  Internal Input Pulldown Resistors
- >4000V ESD Protection
- Moisture Sensitivity Level 1, Indefinite Time Out of Drypack  
For Additional Information, See Application Note AND8003/D
- Flammability Rating: UL-94 code V-0 @ 1/8",  
Oxygen Index 28 to 34
- Transistor Count: 729 devices

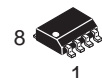
Logic Diagram and Pinout: 8-Lead SOIC (Top View)



**ON Semiconductor**

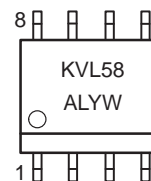
Formerly a Division of Motorola

<http://onsemi.com>



**SO-8**  
**D SUFFIX**  
**CASE 751**

### MARKING DIAGRAM\*



A = Assembly Location  
L = Wafer Lot  
Y = Year  
W = Work Week

\*For additional information, see Application Note AND8002/D

### PIN NAMES

Pins	Function
Da, Db Q	Data Inputs Data Outputs

### TRUTH TABLE

SEL	Data
H	a
L	b

### ORDERING INFORMATION

Device	Package	Shipping
MC100LVEL58D	SO-8	98 Units / Rail
MC100LVEL58DR2	SO-8	2500 Units / Reel

# MC100LVEL58

## ABSOLUTE MAXIMUM RATINGS<sup>1</sup>

Symbol	Characteristic	Rating	Unit
V <sub>EE</sub>	Power Supply (V <sub>CC</sub> = 0V)	-8.0 to 0	VDC
V <sub>I</sub>	Input Voltage (V <sub>CC</sub> = 0V)	0 to -6.0	VDC
I <sub>out</sub>	Output Current Continuous Surge	50 100	mA
T <sub>A</sub>	Operating Temperature Range	-40 to +85	°C
V <sub>EE</sub>	Operating Range <sup>1,2</sup>	-5.7 to -3.0	V
θ <sub>JA</sub>	Thermal Resistance (Junction-to-Ambient) Still Air 500lfpm	190 130	°C/W
θ <sub>JC</sub>	Thermal Resistance (Junction-to-Case)	41 to 44 ± 5%	°C/W
T <sub>sol</sub>	Solder Temperature (<2 to 3 Seconds: 245°C desired)	265	°C

1. Absolute maximum rating, beyond which, device life may be impaired, unless otherwise specified on an individual data sheet.

2. Parametric values specified at: 100EL Series: -4.20V to -5.50V  
10EL Series: -4.94V to -5.50V

## MC100LVEL58

### DC CHARACTERISTICS (V<sub>EE</sub> = V<sub>EE</sub>(min) to V<sub>EE</sub>(max); V<sub>CC</sub> = GND)

Symbol	Characteristic	-40°C			0°C			25°C			85°C			Unit
		Min	Typ	Max	Min	Typ	Max	Min	Typ	Max	Min	Typ	Max	
I <sub>EE</sub>	Power Supply Current		21	28		21	28		21	28		23	30	mA
V <sub>EE</sub>	Power Supply Voltage	3.0		3.8	3.0		3.8	3.0		3.8	3.0		3.8	V
I <sub>IH</sub>	Input HIGH Current			150			150			150			150	μA

## MC100LVEL58

### AC CHARACTERISTICS (V<sub>EE</sub> = V<sub>EE</sub>(min) to V<sub>EE</sub>(max); V<sub>CC</sub> = GND)

Symbol	Characteristic	-40°C			0°C			25°C			85°C			Unit
		Min	Typ	Max	Min	Typ	Max	Min	Typ	Max	Min	Typ	Max	
t <sub>PLH</sub>	Propagation Delay D Q	340	435	560	340	435	560	350	440	570	370	450	590	ps
t <sub>PHL</sub>	Delay SEL Q	350	455	570	350	455	570	360	460	580	380	470	600	ps
t <sub>r</sub>	Output Rise/Fall Times Q	100		320	100		320	100		320	100		320	ps
t <sub>f</sub>	(20% - 80%)													

### DC CHARACTERISTICS

(V<sub>EE</sub> = V<sub>EE</sub>(min) - V<sub>EE</sub>(max); V<sub>CC</sub> = GND<sup>1</sup>), All input and output voltage parameters vary 1:1 with V<sub>CC</sub>

Symbol	Characteristic	-40°C			0°C to 85°C			Unit	Condition
		Min	Typ	Max	Min	Typ	Max		
V <sub>OH</sub>	Output HIGH Voltage <sup>(2)</sup>	-1085	-1005	-880	-1025	-955	-880	mV	V <sub>IN</sub> = V <sub>IH</sub> (max)
V <sub>OL</sub>	Output LOW Voltage <sup>(2)</sup>	-1830	-1695	-1555	-1810	-1705	-1620	mV	or V <sub>IL</sub> (min)
V <sub>OHA</sub>	Output HIGH Voltage <sup>(2)</sup>	-1095	—	—	-1035	—	—	mV	V <sub>IN</sub> = V <sub>IH</sub> (max)
V <sub>OLA</sub>	Output LOW Voltage <sup>(2)</sup>	—	—	-1555	—	—	-1610	mV	or V <sub>IL</sub> (min)
V <sub>IH</sub>	Input HIGH Voltage	-1165	—	-880	-1165	—	-880	mV	
V <sub>IL</sub>	Input LOW Voltage	-1810	—	-1475	-1810	—	-1475	mV	
I <sub>IL</sub>	Input LOW Current	0.5	—	—	0.5	—	—	μA	V <sub>IN</sub> = V <sub>IL</sub> (max)

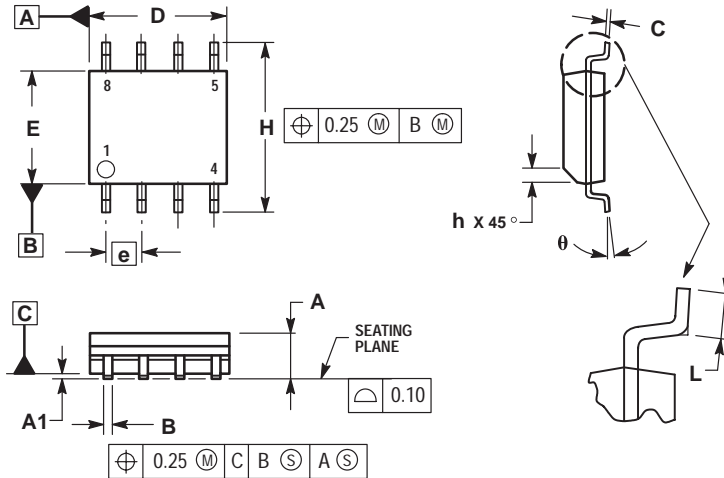
1. V<sub>CC</sub> = 0V, V<sub>EE</sub> = V<sub>EE</sub>min to V<sub>EE</sub>max, all other pins floating.

2. All loading with 50 ohms to V<sub>CC</sub>-2.0 volts.

# MC100LVEL58

## PACKAGE DIMENSIONS


SO-8  
D SUFFIX  
CASE 751-06  
ISSUE T



NOTES:

1. DIMENSIONING AND TOLERANCING PER ASME Y14.5M, 1994.
2. DIMENSIONS ARE IN MILLIMETER.
3. DIMENSION D AND E DO NOT INCLUDE MOLD PROTRUSION.
4. MAXIMUM MOLD PROTRUSION 0.15 PER SIDE.
5. DIMENSION B DOES NOT INCLUDE DAMBAR PROTRUSION. ALLOWABLE DAMBAR PROTRUSION SHALL BE 0.127 TOTAL IN EXCESS OF THE B DIMENSION AT MAXIMUM MATERIAL CONDITION.

MILLIMETERS	
DIM	MIN MAX
A	1.35 1.75
A1	0.10 0.25
B	0.35 0.49
C	0.19 0.25
D	4.80 5.00
E	3.80 4.00
e	1.27 BSC
H	5.80 6.20
h	0.25 0.50
L	0.40 1.25
θ	0° 7°

**ON Semiconductor** and  are trademarks of Semiconductor Components Industries, LLC (SCILLC). SCILLC reserves the right to make changes without further notice to any products herein. SCILLC makes no warranty, representation or guarantee regarding the suitability of its products for any particular purpose, nor does SCILLC assume any liability arising out of the application or use of any product or circuit, and specifically disclaims any and all liability, including without limitation special, consequential or incidental damages. "Typical" parameters which may be provided in SCILLC data sheets and/or specifications can and do vary in different applications and actual performance may vary over time. All operating parameters, including "Typicals" must be validated for each customer application by customer's technical experts. SCILLC does not convey any license under its patent rights nor the rights of others. SCILLC products are not designed, intended, or authorized for use as components in systems intended for surgical implant into the body, or other applications intended to support or sustain life, or for any other application in which the failure of the SCILLC product could create a situation where personal injury or death may occur. Should Buyer purchase or use SCILLC products for any such unintended or unauthorized application, Buyer shall indemnify and hold SCILLC and its officers, employees, subsidiaries, affiliates, and distributors harmless against all claims, costs, damages, and expenses, and reasonable attorney fees arising out of, directly or indirectly, any claim of personal injury or death associated with such unintended or unauthorized use, even if such claim alleges that SCILLC was negligent regarding the design or manufacture of the part. SCILLC is an Equal Opportunity/Affirmative Action Employer.

## PUBLICATION ORDERING INFORMATION

### **NORTH AMERICA Literature Fulfillment:**

Literature Distribution Center for ON Semiconductor  
P.O. Box 5163, Denver, Colorado 80217 USA  
**Phone:** 303-675-2175 or 800-344-3860 Toll Free USA/Canada  
**Fax:** 303-675-2176 or 800-344-3867 Toll Free USA/Canada  
**Email:** ONlit@hibbertco.com  
Fax Response Line: 303-675-2167 or 800-344-3810 Toll Free USA/Canada

**N. American Technical Support:** 800-282-9855 Toll Free USA/Canada

**EUROPE:** LDC for ON Semiconductor – European Support

**German Phone:** (+1) 303-308-7140 (M-F 1:00pm to 5:00pm Munich Time)  
**Email:** ONlit-german@hibbertco.com  
**French Phone:** (+1) 303-308-7141 (M-F 1:00pm to 5:00pm Toulouse Time)  
**Email:** ONlit-french@hibbertco.com  
**English Phone:** (+1) 303-308-7142 (M-F 12:00pm to 5:00pm UK Time)  
**Email:** ONlit@hibbertco.com

**EUROPEAN TOLL-FREE ACCESS\*: 00-800-4422-3781**

\*Available from Germany, France, Italy, England, Ireland

### **CENTRAL/SOUTH AMERICA:**

**Spanish Phone:** 303-308-7143 (Mon-Fri 8:00am to 5:00pm MST)  
**Email:** ONlit-spanish@hibbertco.com

**ASIA/PACIFIC:** LDC for ON Semiconductor – Asia Support

**Phone:** 303-675-2121 (Tue-Fri 9:00am to 1:00pm, Hong Kong Time)  
Toll Free from Hong Kong & Singapore:  
**001-800-4422-3781**  
**Email:** ONlit-asia@hibbertco.com

**JAPAN:** ON Semiconductor, Japan Customer Focus Center  
4-32-1 Nishi-Gotanda, Shinagawa-ku, Tokyo, Japan 141-8549

**Phone:** 81-3-5740-2745  
**Email:** r14525@onsemi.com

**ON Semiconductor Website:** <http://onsemi.com>

For additional information, please contact your local Sales Representative.