

Registered Hex PECL/TTL Translator

MC10H607
MC100H607

The MC10H/100H607 is a 6-bit, registered PECL to TTL translator. The device features differential PECL inputs for both data and clock. The TTL outputs feature 48mA sink, 24mA source drive capability for driving high fanout loads or transmission lines. The asynchronous master reset control is an ECL level input.

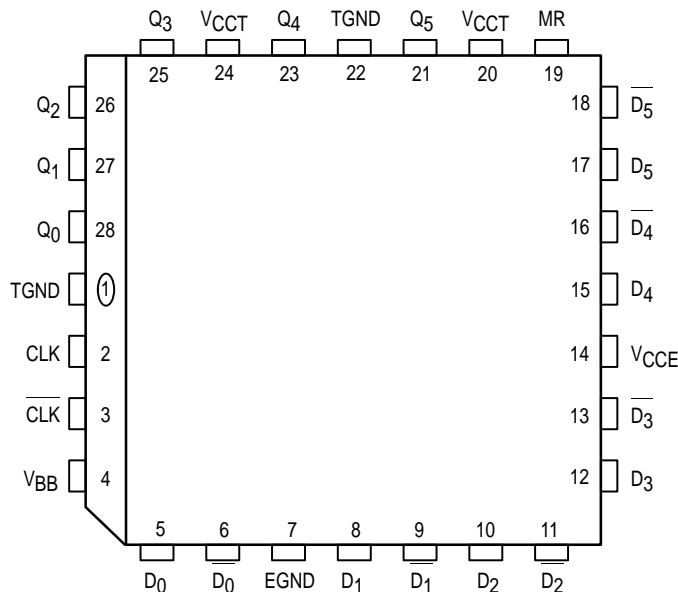
With its differential PECL inputs and TTL outputs the H607 device is ideally suited for the receive function of a HPPI bus type board-to-board interface application. The on chip registers simplify the task of synchronizing the data between the two boards.

The device is available in either ECL standard: the 10H device is compatible with MECL 10H™ logic levels, with a V_{CC} of +5.0 volts, while the 100H device is compatible with 100K logic levels, with a V_{CC} of +5.0 volts.



- Differential ECL Data and Clock Inputs
- 48mA Sink, 15mA Source TTL Outputs
- Single Power Supply
- Multiple Power and Ground Pins to Minimize Noise

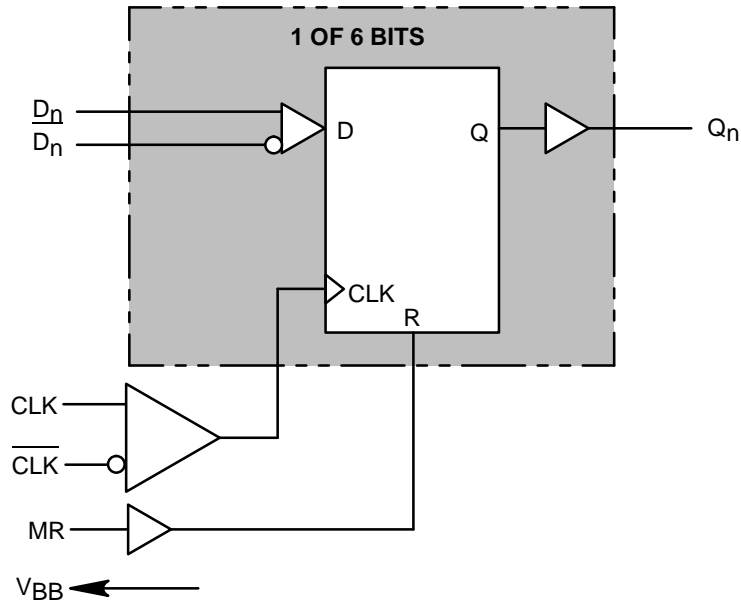
Pinout: 28-Lead PLCC (Top View)



MECL 10H is a trademark of Motorola, Inc.



LOGIC DIAGRAM



PIN NAMES

Pin	Function
$\overline{D_0} - \overline{D_5}$	True PECL Data Inputs
$D_0 - D_5$	Inverted PECL Data Inputs
CLK, \overline{CLK}	Differential PECL Clock Input
MR	PECL Master Reset Input
$Q_0 - Q_5$	TTL Outputs
V_{CCE}	PECL V_{CC}
V_{CCT}	TTL V_{CC}
TGND	TTL Ground
EGND	PECL Ground

TRUTH TABLE

D_n	MR	TCLK/CLK	Q_{n+1}
L	L	Z	L
H	L	Z	H
X	H	X	L

Z = LOW to HIGH Transition

DC CHARACTERISTICS ($V_{CCT} = V_{CCE} = 5.0V \pm 5\%$)

Symbol	Characteristic	$T_A = 0^\circ C$			$T_A = +25^\circ C$			$T_A = +85^\circ C$			Unit	Condition
		Min	Typ	Max	Min	Typ	Max	Min	Typ	Max		
I_{EE}	ECL Power Supply Current		70	85		70	85		70	85	mA	
		10H										
		100H	65	80	70	85	75	95				
I_{CCL}	TTL Supply Current		100	120		100	120		100	120	mA	
I_{CCH}	TTL Supply Current		100	120		100	120		100	120	mA	

MC10H607 MC100H607

10H PECL DC CHARACTERISTICS ($V_{CCT} = V_{CCE} = 5.0V \pm 5\%$)

Symbol	Characteristic	$T_A = 0^\circ C$		$T_A = 25^\circ C$		$T_A = 85^\circ C$		Unit	Condition
		Min	Max	Min	Max	Min	Max		
I_{INH}	Input HIGH Current		255		145		145	μA	
I_{INL}	Input LOW Current		0.5		0.5		0.5	μA	
V_{IH}	Input HIGH Voltage	3830	4160	3870	4190	3930	4280	mV	$V_{CCT} = 5.0V$
V_{IL}	Input LOW Voltage	3050	3520	3050	3520	3050	3555	mV	$V_{CCT} = 5.0V$
V_{BB}	Output Bias Voltage	3600	3710	3630	3730	3670	3790	mV	$V_{CCT} = 5.0V$

NOTE: PECL V_{IL} , V_{IH} , V_{OL} , V_{OH} , V_{BB} are given for $V_{CCT} = V_{CCE} = 5.0V$ and will vary 1:1 with power supply.

100H PECL DC CHARACTERISTICS ($V_{CCT} = V_{CCE} = 5.0V \pm 5\%$)

Symbol	Characteristic	$T_A = 0^\circ C$		$T_A = 25^\circ C$		$T_A = 85^\circ C$		Unit	Condition
		Min	Max	Min	Max	Min	Max		
I_{IH}	Input HIGH Current		255		145		145	μA	
I_{IL}	Input LOW Current		0.5		0.5		0.5	μA	
V_{IH}	Input HIGH Voltage	3835	4120	3835	4120	3835	4120	mV	$V_{CCT} = 5.0V$
V_{IL}	Input LOW Voltage	3190	3525	3190	3525	3190	3525	mV	$V_{CCT} = 5.0V$
V_{BB}	Output Bias Voltage	3600	3720	3600	3720	3600	3720	mV	$V_{CCT} = 5.0V$

NOTE: PECL V_{IL} , V_{IH} , V_{OL} , V_{OH} , V_{BB} are given for $V_{CCT} = V_{CCE} = 5.0V$ and will vary 1:1 with power supply.

10H/100H TTL DC CHARACTERISTICS ($V_{CCT} = V_{CCE} = 5.0V \pm 5\%$)

Symbol	Characteristic	$T_A = 0^\circ C$		$T_A = 25^\circ C$		$T_A = 85^\circ C$		Unit	Condition
		Min	Max	Min	Max	Min	Max		
V_{OH}	Output HIGH Voltage	2.5 2.0		2.5 2.0		2.5 2.0		V	$I_{OH} = -15mA$ $I_{OH} = -24mA$
V_{OL}	Output LOW Voltage		0.55		0.55		0.55	V	$I_{OL} = 48mA$

NOTE: DC levels such as V_{OH} , V_{OL} , etc., are standard for PECL and FAST devices, with the exceptions of: $I_{OL} = 48mA$ at $0.5V_{OL}$; and $I_{OH} = 24mA$ at $2.0V_{OH}$.

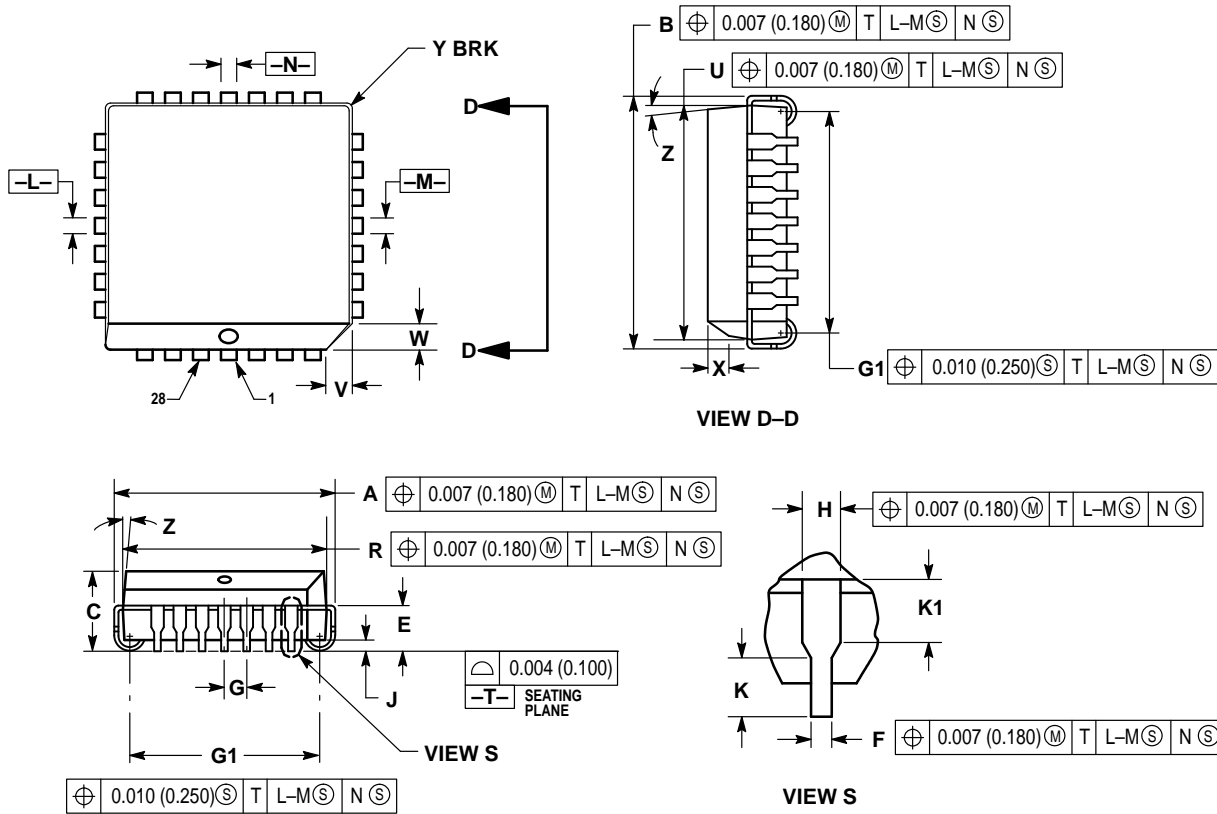
AC CHARACTERISTICS ($V_{CCT} = V_{CCE} = 5.0V \pm 5\%$)

Symbol	Characteristic	$T_A = 0^\circ C$		$T_A = +25^\circ C$		$T_A = +85^\circ C$		Unit	Condition
		Min	Max	Min	Max	Min	Max		
t_{PLH++} t_{PHH+-}	Propagation Delay to Output CLK to Q	5.5 4.6	7.7 7.7	6.0 4.9	8.2 8.3	6.7 5.9	10.0 10.0	ns	CL = 50pF
t_{PHL+-}	Propagation Delay to Output MR to Q	4.4	7.5	4.7	8.1	5.8	10.5	ns	CL = 50pF
t_{PW}	Minimum Pulse Width CLK, MR	1.0		1.0		1.0		ns	
t_r	Rise Time	0.5	2.0	0.5	2.0	0.5	2.0	ns	0.8 – 2.0V
t_f	Fall Time	0.5	2.0	0.5	2.0	0.5	2.0	ns	0.8 – 2.0V
t_S	Setup Time	1.5		1.5		1.5		ns	
t_H	Hold Time	1.5		1.5		1.5		ns	
V_{PP}	Minimum Input Swing	200		200		200		mV	

1. Numbers are for both ++ and -- delay MR to Q.

OUTLINE DIMENSIONS


FN SUFFIX
 PLASTIC PLCC PACKAGE
 CASE 776-02
 ISSUE D



NOTES:

- DATUMS -L-, -M-, AND -N- DETERMINED WHERE TOP OF LEAD SHOULDER EXITS PLASTIC BODY AT MOLD PARTING LINE.
- DIMENSION G1, TRUE POSITION TO BE MEASURED AT DATUM -T-, SEATING PLANE.
- DIMENSIONS R AND U DO NOT INCLUDE MOLD FLASH. ALLOWABLE MOLD FLASH IS 0.010 (0.250) PER SIDE.
- DIMENSIONING AND TOLERANCING PER ANSI Y14.5M, 1982.
- CONTROLLING DIMENSION: INCH.
- THE PACKAGE TOP MAY BE SMALLER THAN THE PACKAGE BOTTOM BY UP TO 0.012 (0.300). DIMENSIONS R AND U ARE DETERMINED AT THE OUTERMOST EXTREMES OF THE PLASTIC BODY EXCLUSIVE OF MOLD FLASH, TIE BAR BURRS, GATE BURRS AND INTERLEAD FLASH, BUT INCLUDING ANY MISMATCH BETWEEN THE TOP AND BOTTOM OF THE PLASTIC BODY.
- DIMENSION H DOES NOT INCLUDE DAMBAR PROTRUSION OR INTRUSION. THE DAMBAR PROTRUSION(S) SHALL NOT CAUSE THE H DIMENSION TO BE GREATER THAN 0.037 (0.940). THE DAMBAR INTRUSION(S) SHALL NOT CAUSE THE H DIMENSION TO BE SMALLER THAN 0.025 (0.635).

DIM	INCHES		MILLIMETERS	
	MIN	MAX	MIN	MAX
A	0.485	0.495	12.32	12.57
B	0.485	0.495	12.32	12.57
C	0.165	0.180	4.20	4.57
E	0.090	0.110	2.29	2.79
F	0.013	0.019	0.33	0.48
G	0.050 BSC		1.27 BSC	
H	0.026	0.032	0.66	0.81
J	0.020	—	0.51	—
K	0.025	—	0.64	—
R	0.450	0.456	11.43	11.58
U	0.450	0.456	11.43	11.58
V	0.042	0.048	1.07	1.21
W	0.042	0.048	1.07	1.21
X	0.042	0.056	1.07	1.42
Y	—	0.020	—	0.50
Z	2°		10°	
G1	0.410	0.430	10.42	10.92
K1	0.040	—	1.02	—

Motorola reserves the right to make changes without further notice to any products herein. Motorola makes no warranty, representation or guarantee regarding the suitability of its products for any particular purpose, nor does Motorola assume any liability arising out of the application or use of any product or circuit, and specifically disclaims any and all liability, including without limitation consequential or incidental damages. "Typical" parameters which may be provided in Motorola data sheets and/or specifications can and do vary in different applications and actual performance may vary over time. All operating parameters, including "Typicals" must be validated for each customer application by customer's technical experts. Motorola does not convey any license under its patent rights nor the rights of others. Motorola products are not designed, intended, or authorized for use as components in systems intended for surgical implant into the body, or other applications intended to support or sustain life, or for any other application in which the failure of the Motorola product could create a situation where personal injury or death may occur. Should Buyer purchase or use Motorola products for any such unintended or unauthorized application, Buyer shall indemnify and hold Motorola and its officers, employees, subsidiaries, affiliates, and distributors harmless against all claims, costs, damages, and expenses, and reasonable attorney fees arising out of, directly or indirectly, any claim of personal injury or death associated with such unintended or unauthorized use, even if such claim alleges that Motorola was negligent regarding the design or manufacture of the part. Motorola and  are registered trademarks of Motorola, Inc. Motorola, Inc. is an Equal Opportunity/Affirmative Action Employer.

How to reach us:

USA/EUROPE/Locations Not Listed: Motorola Literature Distribution;
P.O. Box 20912; Phoenix, Arizona 85036. 1-800-441-2447 or 602-303-5454

MFAX: RMFAX0@email.sps.mot.com – TOUCHTONE 602-244-6609
INTERNET: <http://Design-NET.com>

JAPAN: Nippon Motorola Ltd.; Tatsumi-SPD-JLDC, 6F Seibu-Butsuryu-Center,
3-14-2 Tatsumi Koto-Ku, Tokyo 135, Japan. 03-81-3521-8315

ASIA/PACIFIC: Motorola Semiconductors H.K. Ltd.; 8B Tai Ping Industrial Park,
51 Ting Kok Road, Tai Po, N.T., Hong Kong. 852-26629298

