



LC78632RE

Compact Disk Player DSP

Preliminary

Overview

The LC78632RE is a compact disc D/A signal-processing LSI for Video-CD players that provides a variable clock error correction (VCEC) mode. The LC78632RE demodulates the EFM signal from the optical pickup and performs de-interleaving, error detection, error correction, digital filtering, and other processing. The LC78632RE includes an on-chip 1-bit D/A converter, and executes commands sent from a control microprocessor.

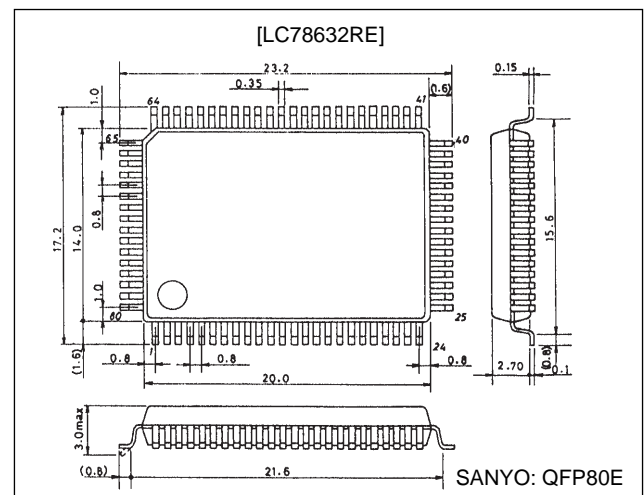
Features

- VCEC support
- Built-in PLL circuit for EFM detection (supports 4× playback)
- 18KB RAM on chip
- Error detection and correction (corrects two errors in C1 and four errors in C2)
- Frame jitter margin: ± 8 frames
- Frame synchronization signal detection, protection, and insertion
- Dual interpolation adopted in the interpolation circuit.
- EFM data demodulation
- Subcode demodulation
- Zero-cross muting adopted
- Servo command interface
- 2fs digital filter
- Digital de-emphasis
- Built-in independent left- and right-channel digital attenuators (239 attenuation steps)
- Supports the bilingual function
- Left/right swap function
- Built-in 1-bit D/A converter (third-order $\Delta\Sigma$ noise shaper, PWM output)
- Built-in digital output circuit
- CLV servo
- Arbitrary track jumping (of up to 255 tracks)
- Variable sled voltage (four levels)
- Six extended I/O ports and 2 extended output ports
- Built-in oscillator circuit using an external 16.9344 MHz or 33.8688 MHz (for 4× playback) element
- Supply voltage: 4.5 to 5.5 V

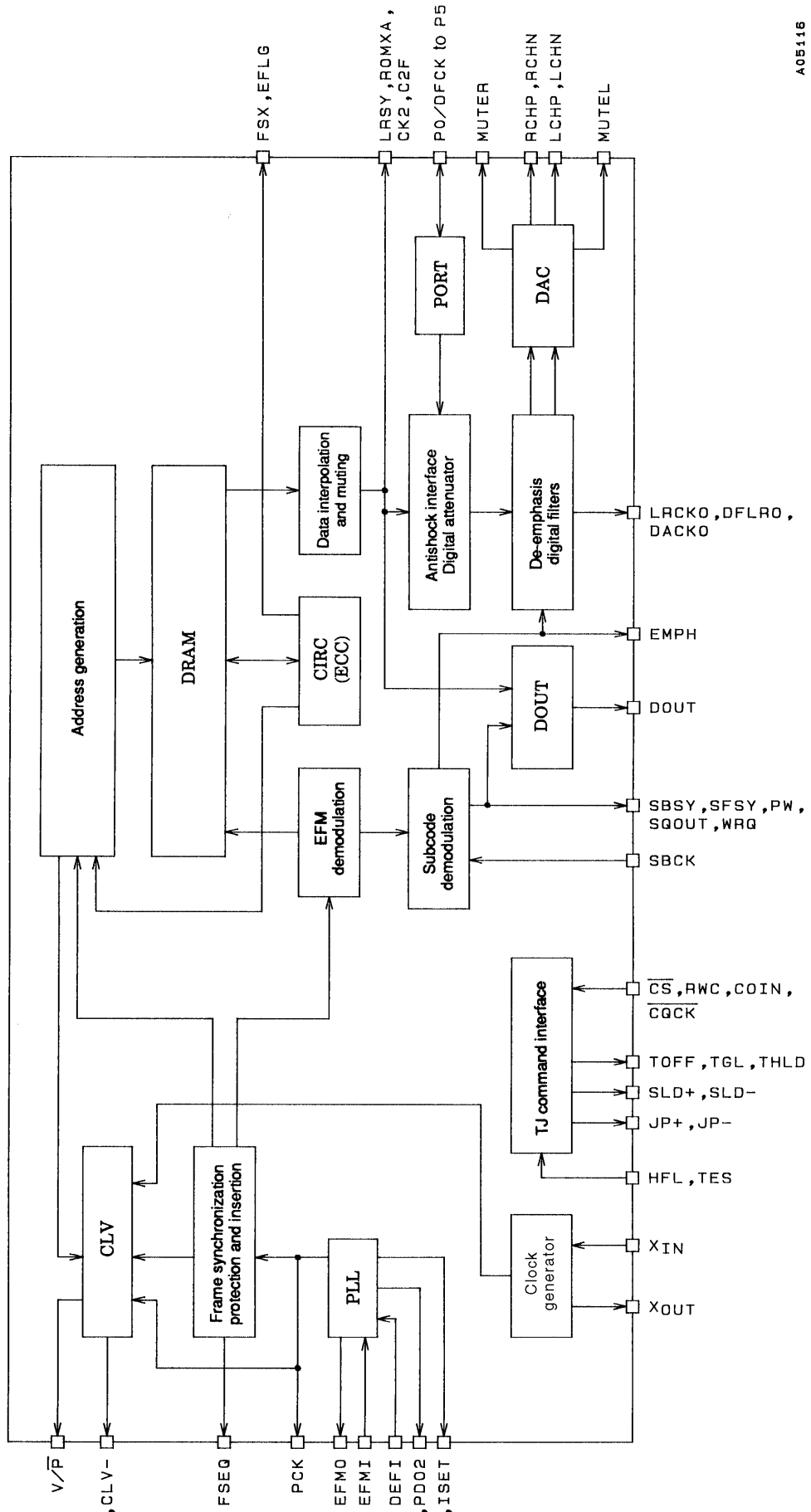
Package Dimensions

unit: mm

3174-QFP80E



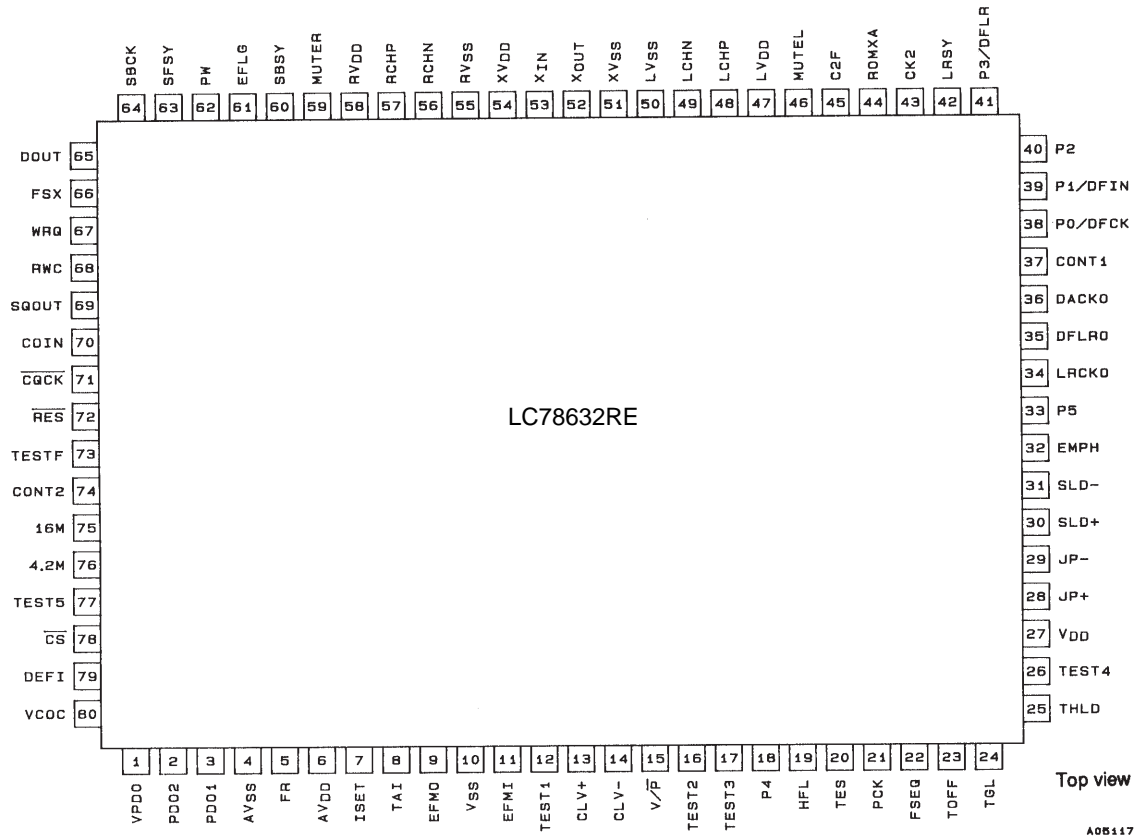
Equivalent Circuit Block Diagram



A05116

LC78632RE

Pin Assignment



Absolute Maximum Ratings at Ta = 25°C, VSS = 0 V

Parameter	Symbol	Conditions	Ratings	Unit
Maximum supply voltage	V _{DD} max		-0.3 to +7.0	V
Input voltage	V _{IN}		-0.3 to V _{DD} + 0.3	V
Output voltage	V _{OUT}		-0.3 to V _{DD} + 0.3	V
Allowable power dissipation	Pd max		470	mW
Operating temperature	Topr		-30 to +75	°C
Storage temperature	Tstg		-40 to +125	°C

Allowable Operating Ranges at Ta = 25°C, VSS = 0 V

Parameter	Symbol	Conditions	min	typ	max	Unit
Supply voltage	V _{DD}	V _{DD} , AV _{DD} , XV _{DD} , LV _{DD} , RV _{DD}	4.5	5.0	5.5	V
Input high-level voltage	V _{IH1}	TEST1 to TEST5, TAI, HFL, TES, P0/DFCK, P1/DFIN, P2, P3/DFLR, P4, P5, SBCK, RWC, COIN, CQCK, RES, CS, X _{IN} , DEFI	0.7 V _{DD}		V _{DD}	V
	V _{IH2}	EFMI	0.6 V _{DD}		V _{DD}	V
Input low-level voltage	V _{IL1}	TEST1 to TEST5, TAI, HFL, TES, P0/DFCK, P1/DFIN, P2, P3/DFLR, P4, P5, SBCK, RWC, COIN, CQCK, RES, CS, X _{IN} , DEFI	0		0.3 V _{DD}	V
	V _{IL2}	EFMI	0		0.4 V _{DD}	V
Data setup time	t _{SU}	COIN, RWC: Figures 1 and 4	400			ns
	t _{PRS}	RWC: Figure 4	100			ns
Data hold time	t _{HD}	COIN, RWC: Figures 1 and 4	400			ns

Continued on next page.

LC78632RE

Continued from preceding page.

Parameter	Symbol	Conditions	min	typ	max	Unit
High-level clock pulse width	t_{WH}	SBCK, \overline{CQCK} : Figures 1, 2, 3, and 4	400			ns
Low-level clock pulse width	t_{WL}	SBCK, \overline{CQCK} : Figures 1, 2, 3, and 4	400			ns
Data read access time	t_{RAC}	SQOUT, PW: Figures 2, 3, and 4	0		400	ns
Command transfer time	t_{RWC}	RWC: Figures 1 and 4	1000			ns
Subcode Q read enable time	t_{SQE}	WRQ: Figure 2, with no RWC signal		11.2		ms
Subcode read cycle	t_{SC}	SFSY: Figure 3		136		μ s
Subcode read enable	t_{SE}	SFSY: Figure 3	400			ns
Port output delay time	t_{PD}	CONT1, CONT2, P0 to P5: Figure 5			1200	ns
Input level	V_{EI}	EFMI	1.0			Vp-p
	V_{XI}	X_{IN} : Capacitance coupled input	1.0			Vp-p

Note: Due to the structure of this IC, the identical voltage must be applied to all power-supply pins.

Electrical Characteristics at $T_a = 25^\circ\text{C}$, $V_{DD} = 5\text{ V}$, $V_{SS} = 0\text{ V}$

Parameter	Symbol	Conditions	min	typ	max	Unit
Current drain	I_{DD}	Normal-speed playback		30		mA
Input high-level current	I_{IH1}	EFMI, HFL, TES, SBCK, RWC, COIN, \overline{CQCK} , \overline{RES} , DEF1: $V_{IN} = 5\text{ V}$			5	μ A
	I_{IH2}	TAI, TEST1 to TEST5, \overline{CS} : $V_{IN} = 5\text{ V}$	25		75	μ A
Input low-level current	I_{IL}	TAI, EFMI, HFL, TES, SBCK, RWC, COIN, \overline{CQCK} , \overline{RES} , TEST1 to TEST5, \overline{CS} , DEF1: $V_{IN} = 0\text{ V}$	-5			μ A
Output high-level voltage	V_{OH1}	EFMO, CLV+, CLV-, V/\overline{P} , PCK, FSEQ, TOFF, TGL, THLD, JP+, JP-, EMPH, EFLG, FSX $I_{OH} = -1\text{ mA}$	4			V
	V_{OH2}	MUTEL, MUTER, LRCKO, DFLRO, DACKO, P0/DFCK, P1/DFIN, P2, P3/DFLR, P4, P5, LRSY, CK2, ROMXA, C2F, SBSY, PW, SFSY, WRQ, SQOUT, 16M, 4.2M, CONT1, CONT2: $I_{OH} = -0.5\text{ mA}$	4			V
	V_{OH3}	VPDO: $I_{OH} = -1\text{ mA}$	4.5			V
	V_{OH4}	DOUT: $I_{OH} = -12\text{ mA}$	4.5			V
	V_{OH5}	LCHP, RCHP, LCHN, RCHN: $I_{OH} = -1\text{ mA}$	3.0		4.5	V
Output low-level voltage	V_{OL1}	EFMO, CLV+, CLV-, V/\overline{P} , PCK, FSEQ, TOFF, TGL, THLD, JP+, JP-, EMPH, EFLG, FSX $I_{OL} = 1\text{ mA}$			1	V
	V_{OL2}	MUTEL, MUTER, LRCKO, DFLRO, DACKO, P0/DFCK, P1/DFIN, P2, P3/DFLR, P4, P5, LRSY, CK2, ROMXA, C2F, SBSY, PW, SFSY, WRQ, SQOUT, 16M, 4.2M, CONT1, CONT2: $I_{OL} = 2\text{ mA}$			0.4	V
	V_{OL3}	VPDO: $I_{OL} = 1\text{ mA}$			0.5	V
	V_{OL4}	DOUT: $I_{OL} = 12\text{ mA}$			0.5	V
	V_{OL5}	LCHP, RCHP, LCHN, RCHN: $I_{OL} = 1\text{ mA}$	0.5		2.0	V
Output off leakage current	I_{OFF1}	PDO1, PDO2, VPDO, P0/DFCK, P1/DFIN, P2, P3/DFLR, P4, P5: $V_{OUT} = 5\text{ V}$			5	μ A
	I_{OFF2}	PDO1, PDO2, VPDO, P0/DFCK, P1/DFIN, P2, P3/DFLR, P4, P5: $V_{OUT} = 0\text{ V}$	-5			μ A
Charge pump output current	I_{PDOH}	PDO1, PDO2: $R_{ISET} = 68\text{ k}\Omega$	-96	-80	-64	μ A
	I_{PDOL}	PDO1, PDO2: $R_{ISET} = 68\text{ k}\Omega$	64	80	96	μ A
Sled output voltage	V_{SLD1}		1.0	1.25	1.5	V
	V_{SLD2}		2.25	2.5	2.75	V
	V_{SLD3}		3.5	3.75	4.0	V
	V_{SLD4}		4.75			V

LC78632RE

D/A Converter Analog Characteristics at $T_a = 25^\circ\text{C}$, $V_{DD} = 5\text{ V}$, $V_{SS} = 0\text{ V}$

Parameter	Symbol	Conditions	min	typ	max	Unit
Total harmonic distortion	THD + N	LCHP, LCHN, RCHP, RCHN; 1 kHz: 0 dB input, using a 20-kHz low-pass filter (AD725D built in)		0.006		%
Dynamic range	DR	LCHP, LCHN, RCHP, RCHN; 1 kHz: -60 dB input, using the 20-kHz low-pass filter (A filter (AD725D built in))		90		dB
Signal-to-noise ratio	S/N	LCHP, LCHN, RCHP, RCHN; 1 kHz: 0 dB input, using the 20-kHz low-pass filter (A filter (AD725D built in))	98	100		dB
Crosstalk	CT	LCHP, LCHN, RCHP, RCHN; 1 kHz: 0 dB input, using a 20-kHz low-pass filter (AD725D built in)	96	98		dB

Note: Measured in normal-speed playback mode in a Sanyo 1-bit D/A converter block reference circuit, with the digital attenuator set to EE (hexadecimal).

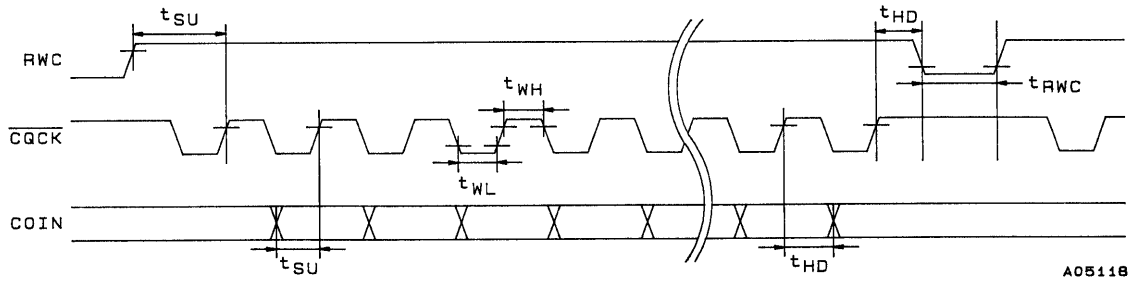


Figure 1 Command Input

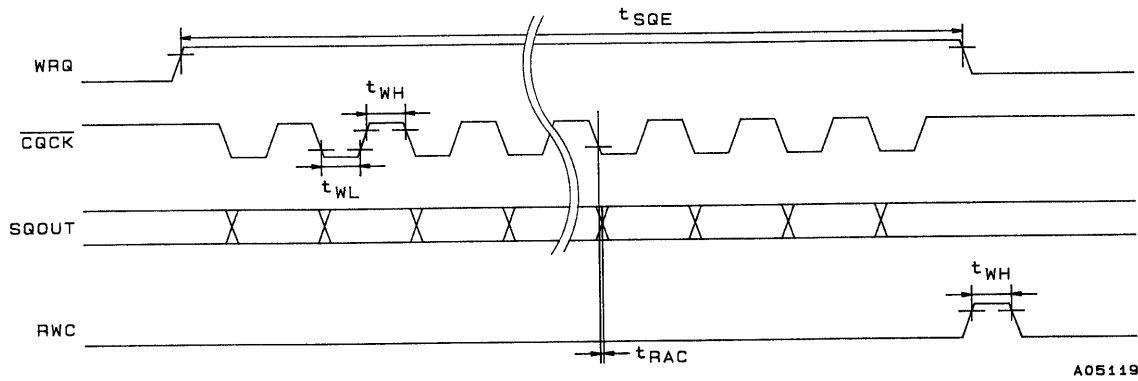


Figure 2 Subcode Q Output

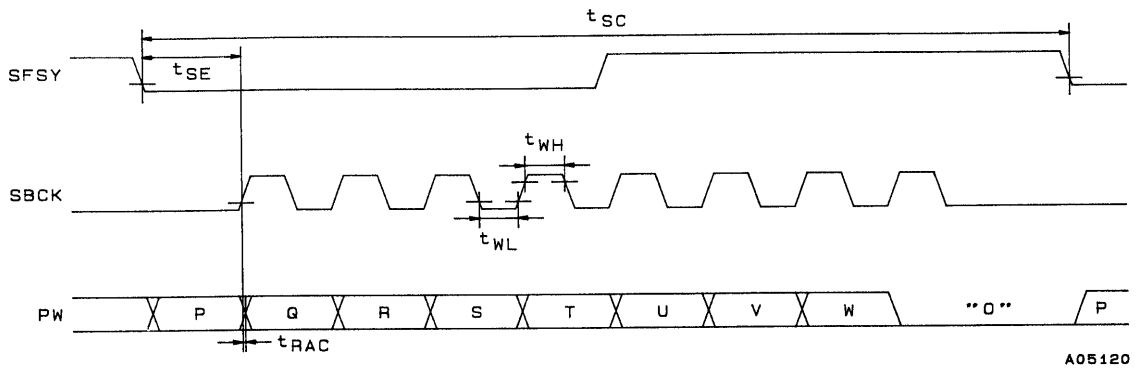
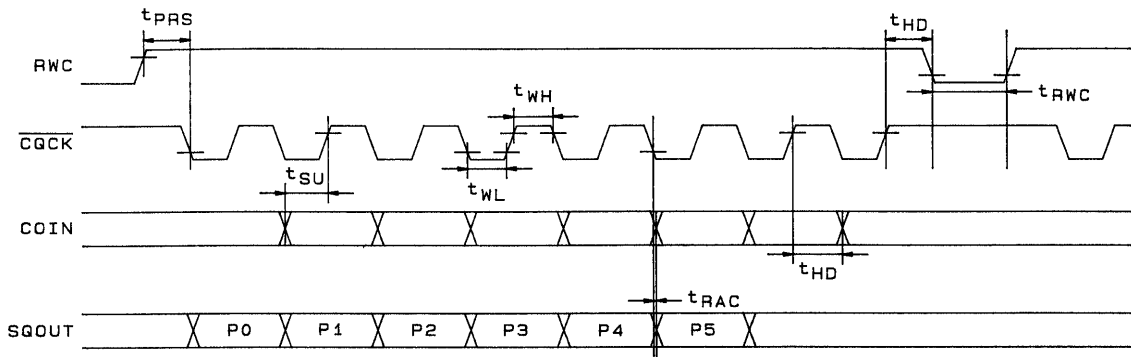
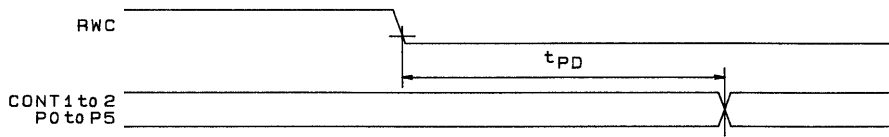


Figure 3 Subcode Output



A05121

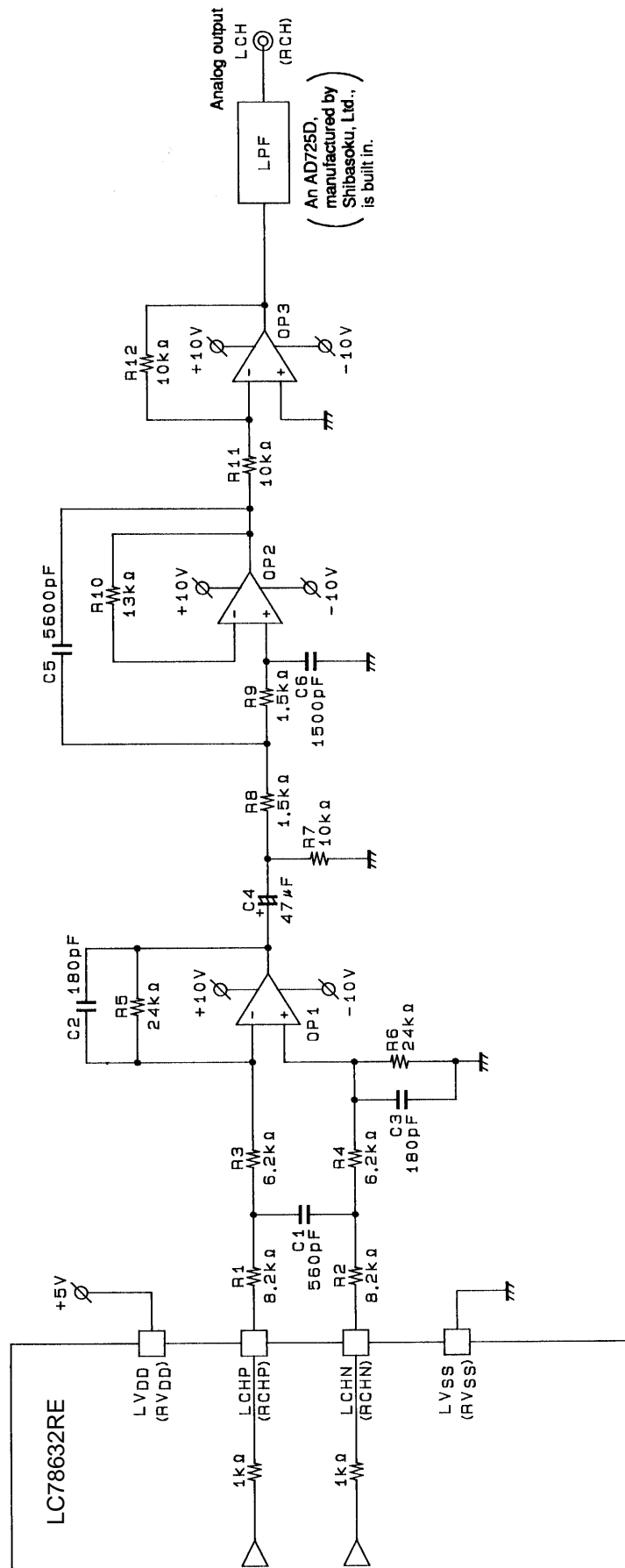
Figure 4 General-Purpose Port Read



A05122

Figure 5 General-Purpose Port Output

One-Bit D/A Converter Output Block Reference Circuit



A05123

LC78632RE

Pin Functions

Pin No.	Symbol	I/O	Function	
1	VPDO	O	Test output	
2	PDO2	O	Double-speed and quad-speed mode playback PLL charge pump output. Must be left open if unused.	
3	PDO1	O	Normal-speed mode playback PLL charge pump output	
4	AV _{SS}		Analog system ground. Must be connected to 0 V.	
5	FR		Built-in VCO frequency range setting resistor connection	
6	AV _{DD}		Analog system power supply	
7	ISET		PDO1 and PDO2 output current setting resistor connection	
8	TAI	I	Test input. A pull-down resistor is built in. Must be connected to 0 V.	
9	EFMO	O	EFM signal output	
10	V _{SS}		Digital system ground. Must be connected to 0 V.	
11	EFMI	I	EFM signal input	
12	TEST1	I	Test input. A pull-down resistor is built in. Must be connected to 0 V.	
13	CLV ⁺	O	Spindle servo control output. CLV ⁺ outputs a high level for acceleration, and CLV ⁻ outputs a high level for deceleration.	
14	CLV ⁻	O		
15	V/ \bar{P}	O	Rough servo/phase control automatic switching monitor output. A high-level output indicates rough servo, and a low-level output indicates phase control.	
16	TEST2	I	Test input. A pull-down resistor is built in. Must be connected to 0 V.	
17	TEST3	I	Test input. A pull-down resistor is built in. Must be connected to 0 V.	
18	P4	I/O	I/O port	
19	HFL	I	Track detection signal input. This is a Schmitt input.	
20	TES	I	Tracking error signal input. This is a Schmitt input.	
21	PCK	O	EFM data playback bit clock monitor. Outputs 4.3218 MHz when the phase is locked in normal-speed mode playback.	
22	FSEQ	O	Synchronization signal detection output. Outputs a high level when the synchronization signal detected from the EFM signal matches the internally generated synchronization signal.	
23	TOFF	O	Tracking off output	
24	TGL	O	Tracking gain switching output. Increase the gain when this pin outputs a low level.	
25	THLD	O	Tracking hold output	
26	TEST4	I	Test input. A pull-down resistor is built in. Must be connected to 0 V.	
27	V _{DD}		Digital system power supply	
28	JP ⁺	O	Track jump output. JP ⁺ outputs a high level both for acceleration during outward direction jumps and for deceleration during inward direction jumps. JP ⁻ outputs a high level both for acceleration during inward direction jumps and for deceleration during outward direction jumps.	
29	JP ⁻	O		
30	SLD ⁺	O	Sled output. This pin can be set to 1 of 4 levels by commands sent from the system control microprocessor.	
31	SLD ⁻	O		
32	EMPH	O	De-emphasis monitor. A high level indicates that a disk requiring de-emphasis is being played.	
33	P5	I/O	I/O port	
34	LRCKO	O	LR clock output	
35	DFLRO	O	Digital filter outputs	
36	DACKO	O		LR data output. The digital filter can be turned off with the DFOFF command.
37	CONT1	O	Bit clock output	
37	CONT1	O	Output port	
38	P0/DFCK	I/O	I/O port. DF bit clock input in antishock mode.	
39	P1/DFIN	I/O	I/O port. DF data input in antishock mode.	
40	P2	I/O	I/O port. Used as the de-emphasis filter on/off switching pin in antishock mode. The de-emphasis filter is turned on when this pin is high.	
41	P3/DFLR	I/O	I/O port output or digital filter LR clock input (when anti-shock mode)	
42	LRSY	O	ROMXA pins	
43	CK2	O		LR clock output
44	ROMXA	O		Bit clock output. The polarity can be inverted with the CK2CON command.
45	C2F	O		Interpolated data output. Data that has not been interpolated can be output by issuing the ROMXA command.
46	MUTEL	O	One-bit D/A converter pins	
47	LV _{DD}			C2 flag output
48	LCHP	O		Left channel mute output
49	LCHN	O		Left channel power supply
50	LV _{SS}			Left channel P output
			Left channel N output	
			Left channel ground. Must be connected to 0V.	

Note: Of the general-purpose I/O ports, any unused input ports must be connected to 0 V, or set to be output ports.

Continued on next page.

LC78632RE

Continued from preceding page.

Pin No.	Symbol	I/O	Function	
51	XV _{SS}		Crystal oscillator ground. Must be connected to 0 V.	
52	X _{OUT}	O	16.9344 MHz crystal oscillator connections. Use a 33.8688 MHz crystal oscillator for quad-speed playback.	
53	X _{IN}	I		
54	XV _{DD}		Crystal oscillator power supply	
55	RV _{SS}		Right channel ground. Must be connected to 0 V.	
56	RCHN	O	One-bit D/A converter pins	
57	RCHP	O		Right channel N output
58	RV _{DD}			Right channel P output
59	MUTER	O		Right channel power supply
				Right channel mute output
60	SBSY	O	Subcode block synchronization signal output	
61	EFLG	O	C1 and C2 error correction state monitor	
62	PW	O	Subcode P, Q, R, S, T, U, V, and W output	
63	SFSY	O	Subcode frame synchronization signal output. Falls when the subcode output goes to the standby state.	
64	SBCK	I	Subcode readout clock input. This is a Schmitt input. This pin must be connected to 0 V if unused.	
65	DOUT	O	Digital output	
66	FSX	O	Outputs a 7.35 kHz synchronization signal generated by dividing the crystal oscillator frequency.	
67	WRQ	O	Subcode Q output standby output	
68	RWC	I	Read/write control input	
69	SQOUT	O	Subcode Q output	
70	COIN	I	Input for commands from the control microprocessor	
71	$\overline{\text{CQCK}}$	I	Command input acquisition clock. Also used as the SQOUT subcode readout clock input. This is a Schmitt input.	
72	$\overline{\text{RES}}$	I	Chip reset input. This pin must be set low temporarily when power is first applied.	
73	TESTF	O	Test output	
74	CONT2	O	Output port	
75	16M	O	16.9344 MHz output	
76	4.2M	O	4.2336 MHz output	
77	TEST5	I	Test input. A pull-down resistor is built in. Must be connected to 0 V.	
78	$\overline{\text{CS}}$	I	Chip select input. A pull-down resistor is built in. When control is not used, this pin must be connected to 0 V.	
79	DEFI	I	Defect detection signal input. Must be connected to 0 V if unused.	
80	VCOC	I	Test input. Must be connected to 0 V.	

Note: Of the general-purpose I/O ports, any unused input ports must be connected to 0 V, or set to be output ports.

- No products described or contained herein are intended for use in surgical implants, life-support systems, aerospace equipment, nuclear power control systems, vehicles, disaster/crime-prevention equipment and the like, the failure of which may directly or indirectly cause injury, death or property loss.
- Anyone purchasing any products described or contained herein for an above-mentioned use shall:
 - ① Accept full responsibility and indemnify and defend SANYO ELECTRIC CO., LTD., its affiliates, subsidiaries and distributors and all their officers and employees, jointly and severally, against any and all claims and litigation and all damages, cost and expenses associated with such use:
 - ② Not impose any responsibility for any fault or negligence which may be cited in any such claim or litigation on SANYO ELECTRIC CO., LTD., its affiliates, subsidiaries and distributors or any of their officers and employees jointly or severally.
- Information (including circuit diagrams and circuit parameters) herein is for example only; it is not guaranteed for volume production. SANYO believes information herein is accurate and reliable, but no guarantees are made or implied regarding its use or any infringements of intellectual property rights or other rights of third parties.

This catalog provide information as of December, 1997. Specifications and information herein are subject to change without notice.