

TOSHIBA CMOS DIGITAL INTEGRATED CIRCUIT SILICON MONOLITHIC

TC9308AF-028

DTS MICRO CONTROLLER (DTS-11)

The TC9308AF-028, in combination with the prescaler TD6134AF, is capable of composing a digital tuning system that is optimum to such portable as pocket radio, headphone stereo and the like. Receiving frequency bands are 3 bands of FM/AM/VHF TV for shipment the Japan and 2 bands of FM/AM for shipment to other areas than Japan.

FEATURES

○ Receiving frequency bands

AREA	CODE		9k / 10k	BAND	RECEIVING FREQUENCY [Hz]	STEP [Hz]	FREF [Hz]	IF [Hz]
	E0	E1						
Japan	0	0	—	TV	4~12ch	1ch	6.25k	- 10.7M
					1~ 3ch	1ch	12.5k	
			0	MW	530~ 1610k	10k	5k	+ 450k
			1		531~ 1629k	9k	3k	
USA	0	1	—	FM	87.5~ 108.0M	100k	12.5k	+ 10.7M
			0	MW	530~ 1710k	10k	5k	+ 450k
			1		531~ 1602k	9k	3k	
Europe	1	0	—	FM	87.50~108.00M	50k	12.5k	+ 10.7M
	---	---	0	MW	530~ 1610k	10k	5k	+ 450k
	1	1	1		531~ 1602k	9k	3k	

In Europe, The Clock display is as blow.

E0	E1	CLOCK DISPLAY
1	0	12-hour
1	1	24-hour

980910EBA2

- TOSHIBA is continually working to improve the quality and the reliability of its products. Nevertheless, semiconductor devices in general can malfunction or fail due to their inherent electrical sensitivity and vulnerability to physical stress. It is the responsibility of the buyer, when utilizing TOSHIBA products, to observe standards of safety, and to avoid situations in which a malfunction or failure of a TOSHIBA product could cause loss of human life, bodily injury or damage to property. In developing your designs, please ensure that TOSHIBA products are used within specified operating ranges as set forth in the most recent products specifications. Also, please keep in mind the precautions and conditions set forth in the TOSHIBA Semiconductor Reliability Handbook.
- The products described in this document are subject to the foreign exchange and foreign trade laws.
- The information contained herein is presented only as a guide for the applications of our products. No responsibility is assumed by TOSHIBA CORPORATION for any infringements of intellectual property or other rights of the third parties which may result from its use. No license is granted by implication or otherwise under any intellectual property or other rights of TOSHIBA CORPORATION or others.
- The information contained herein is subject to change without notice.

○ Tuning function

- Manual up/down tuning : 1 step/1 push tuning
- Auto-tuning (leek system) : Continuous pushing the key automatically shifts to Auto Mode.
- IF count type auto stop system in combination with the TA8132F has been adopted.

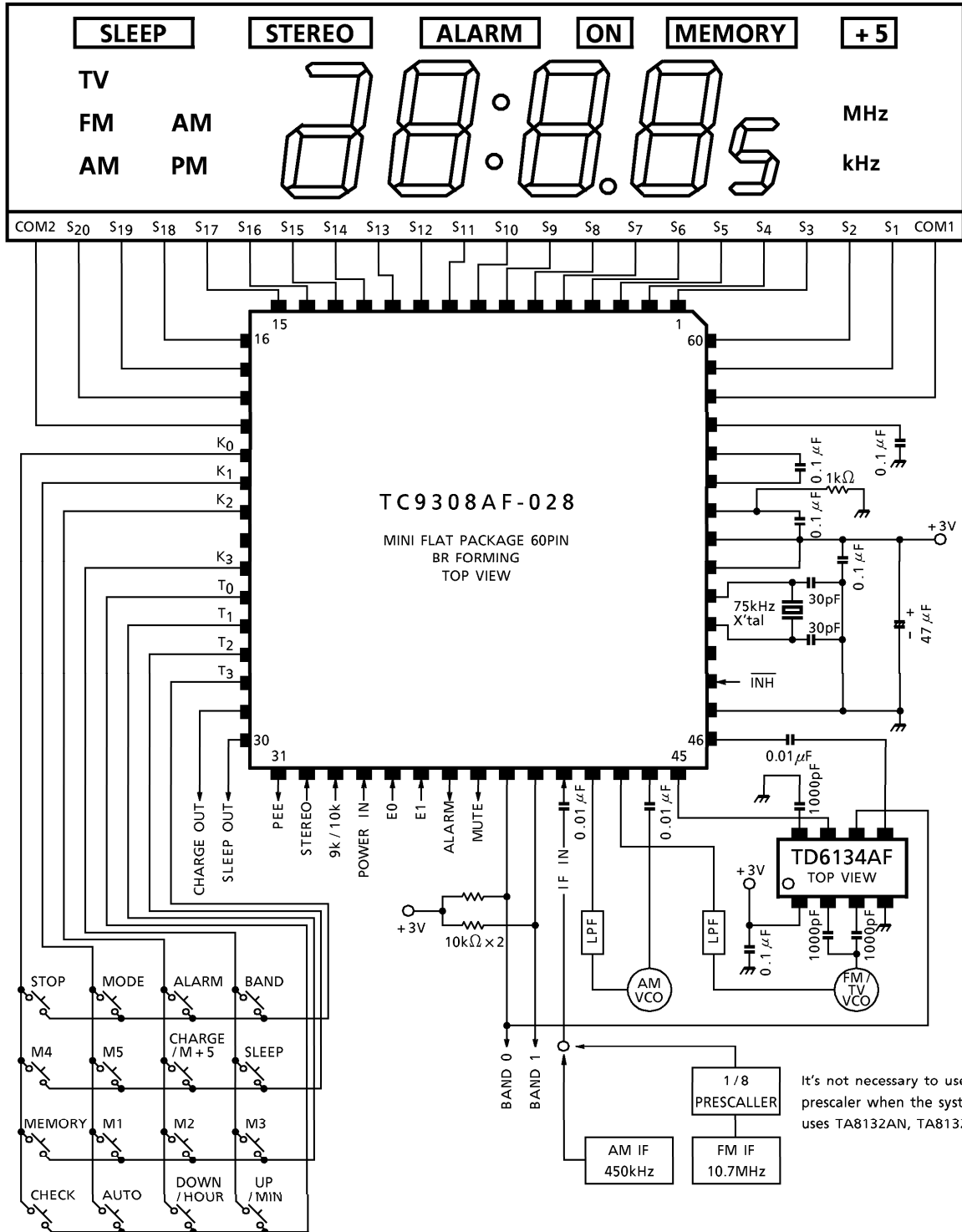
○ Memory function

- Japan : FM/AM/TV each five stations
- Overseas : FM/AM each ten stations
- Semi-auto memory function

○ Other functions

- 12/24H clock
- Alarm function
- 60 min. sleep timer
- Battery charging timer function (Japanese specification only)
- Beep sound output

TC9308AF-028 Layout (With prescaler : TD6134AF)



It's not necessary to use the prescaler when the system is uses TA8132AN, TA8132AF.