

TOSHIBA CMOS DIGITAL INTEGRATED CIRCUIT SILICON MONOLITHIC

TC9181P, TC9181F

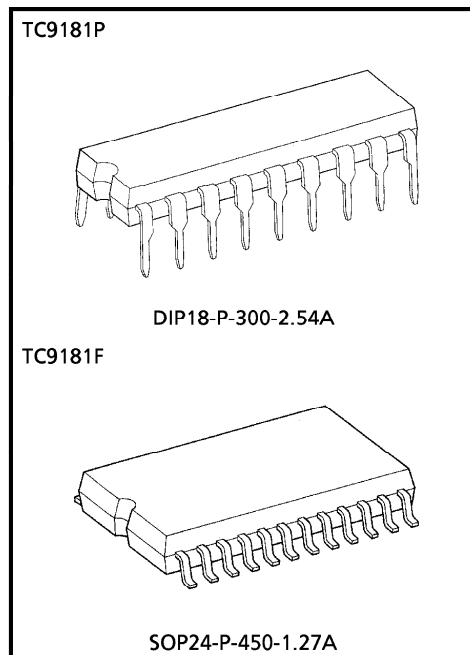
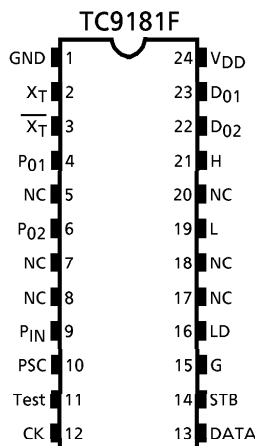
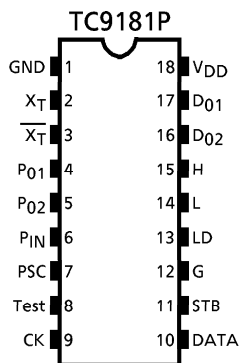
PLL FREQUENCY SYNTHESIZER LSI FOR COMMUNICATION USE

The TC9181P and TC9181F are developed as PLL frequency synthesizer LSI for communication use and has following features.

FEATURES

- Enable to be used as PLL LSI in many communication equipments e.g., Personal radio, Mobil telephone, CB radio and so on, because of it's various purposive system design.
- Built in 12 bits programmable counter as a reference frequency divider, so frequency division range of programmable counter is 5~4095 divisions according to serial data.
- Built in swallow type programmable counter to generate very high frequency.
- Phase comparator circuit has 3 types of output and replace of it inputs is possible.
- With 2 wide purposive output ports.
- Enable to be controlled by only 3 serial lines (DATA, CK, STB).

PIN CONNECTION



Weight
 DIP18-P-300-2.54A : 1.12g (Typ.)
 SOP24-P-450-1.27A : 0.44g (Typ.)

980910EBA2

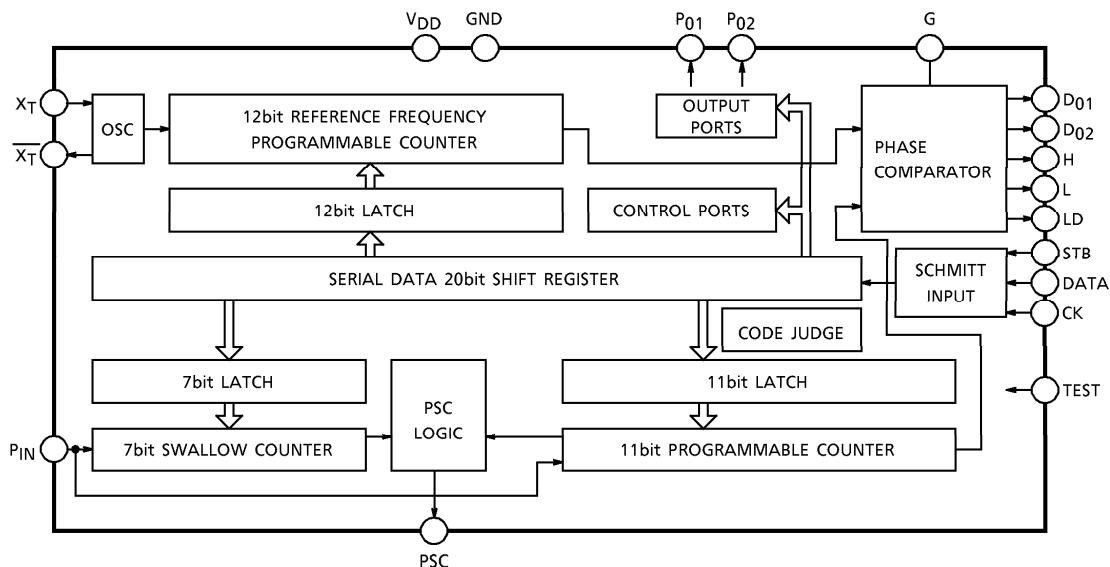
● TOSHIBA is continually working to improve the quality and the reliability of its products. Nevertheless, semiconductor devices in general can malfunction or fail due to their inherent electrical sensitivity and vulnerability to physical stress. It is the responsibility of the buyer, when utilizing TOSHIBA products, to observe standards of safety, and to avoid situations in which a malfunction or failure of a TOSHIBA product could cause loss of human life, bodily injury or damage to property. In developing your designs, please ensure that TOSHIBA products are used within specified operating ranges as set forth in the most recent products specifications. Also, please keep in mind the precautions and conditions set forth in the TOSHIBA Semiconductor Reliability Handbook.

● The products described in this document are subject to the foreign exchange and foreign trade laws.

● The information contained herein is presented only as a guide for the applications of our products. No responsibility is assumed by TOSHIBA CORPORATION for any infringements of intellectual property or other rights of the third parties which may result from its use. No license is granted by implication or otherwise under any intellectual property or other rights of TOSHIBA CORPORATION or others.

● The information contained herein is subject to change without notice.

BLOCK DIAGRAM



PIN FUNCTION

PIN No.	SYMBOL	PIN NAME	FUNCTION AND OPERATION	REMARKS
1	GND	Ground-1	Logic ground terminal.	—
2	X_T	Crystal oscillator terminal	Reference frequency crystal oscillator connection terminal.	—
3	$\overline{X_T}$			
4	P01	Wide purposive output port-1, 2	Wide purposive output ports externally controllable by serial data.	—
5	P02			
6	PIN	Programmable counter input	Programmable counter input terminal. Input an external prescaler output through a coupling capacitor.	—
7	PSC	Prescaler control	2 modulus prescaler frequency division ratio switching control terminal. At "H" level, division ratio = P At "L" level, division ratio = P + 1	—
8	Test	Test terminal	Normal operation at "L" level. Test mode operation at "H" level.	—
9	CK	Serial data input	Serial data input terminals to control this LSI externally. Schmitt trigger input.	—
10	DATA			
11	STB			
12	G	Ground-2	Ground terminal of phase comparator charge pump.	—
13	LD	Lock detector	Output "H" level signal when phase comparator detects lockout state. Enable to be set compulsorily by data given externally.	—
14	L	Phase comparator output	Phase comparator output terminals to connect external high voltage charge pump.	—
15	H			
16	D02	Phase comparator charge pump output	D01, D02 are tri-state outputs. D01 always outputs and D02 is able to be controlled ON/OFF externally. Effective to shorten lock-up time.	—
17	D01			
18	V _{DD}	Power supply	+5V power supply terminal.	—

OPERATIONS

1. Serial data input

Serial data can control 4 group functions separately.

Data is always input from LSB and final 2bit data selects the group.

- Group 1 Reference divider frequency division ratio.
Phase comparator S, R inputs replace.
- Group 2 Programmable counter frequency division ratio.
- Group 3 Wide purposive output ports.
- Group 4 Phase comparator D₀₂ output ON/OFF control.
Lock detector compulsory set.

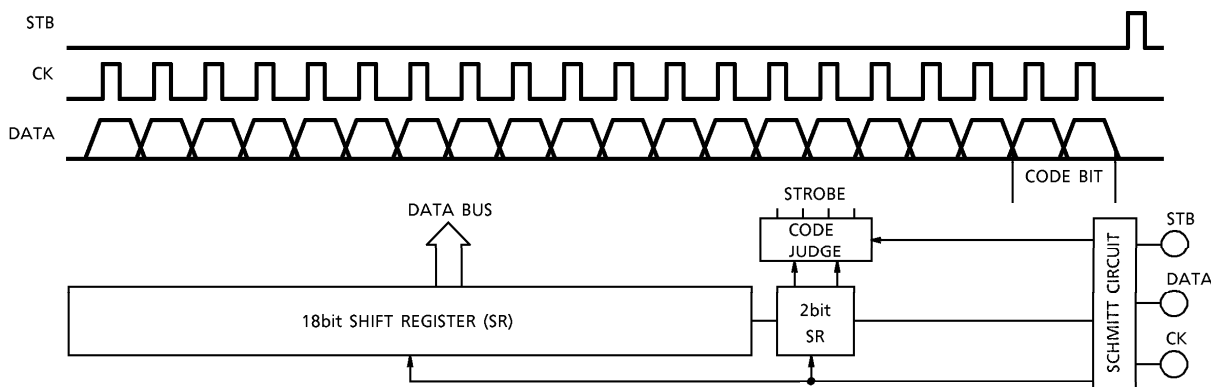
Serial data is composed of 3 lines of DATA, CK and STB.

DATA is input orderly in internal shift register at going rising edge of CK.

By setting STB "H" level after all DATA is input, DATA is transferred to the latch selected by the group code and this LSI can be controlled.

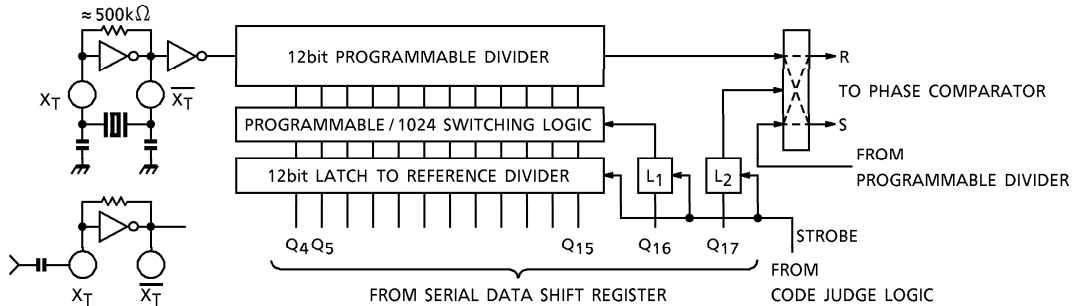
Serial data input 3 terminals build in schmitt trigger circuits that protect from data error by noise.

Concerning the data status of each group, refer to the respective block explanations.

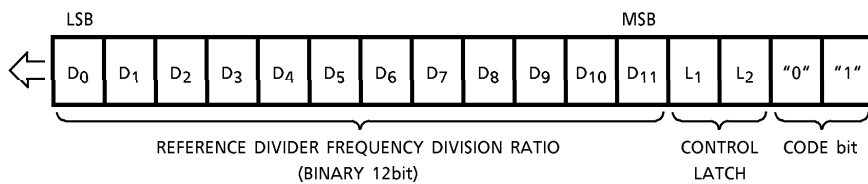


2. Reference divider

This block generates PLL reference frequency and is composed of Crystal oscillation amp, 12bit programmable divider and 2 control ports.



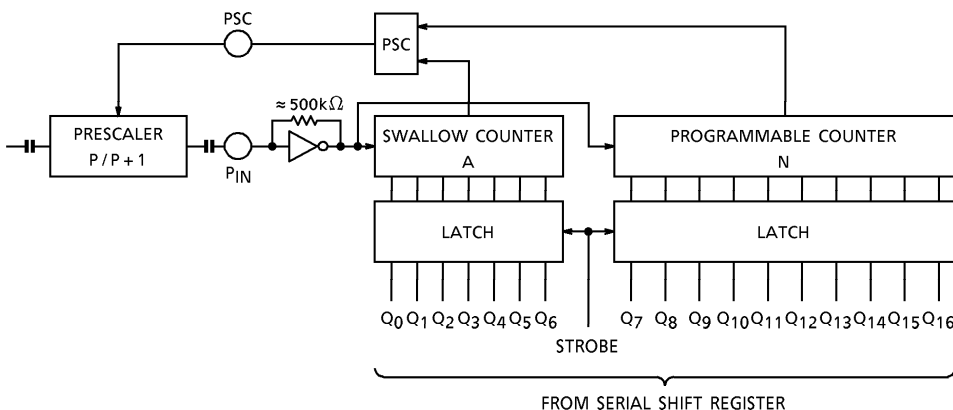
- Crystal oscillation amp allows crystal oscillation up to 15MHz and inputting signal in XT terminal externally up to 15MHz through a coupling capacitor.
- Programmable divider is composed of binary 12bit. Voluntary frequency division of range 5~4095 division is possible by serial data given externally. So a crystal to generate reference frequency can be selected freely and common use of the crystal using other purpose is possible. By setting Latch-1 (L₁) at "H" level, frequency division ratio is fixed at 1024 division neglecting serial data. And at this time serial data becomes brief.
- Latch-2 (L₂) is a control latch to replace reference divider output and programmable counter output before inputting to phase comparator circuit. Set L₂ at "L" level when external low pass filter is an inversion type, and set "H" level when not an inversion type.
- Serial data
Serial data to control reference divider block is of 16bit as following construction.



* D₀~D₁₁ is binary code N of frequency division ratio intended.
5 ≤ N ≤ 4,095

3. Programmable counter

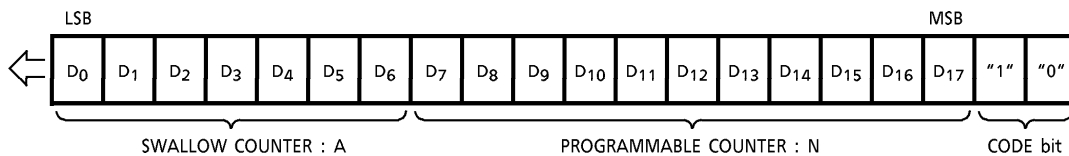
Programmable counter circuit adopts swallow system to generate high frequency and is composed of 7bit swallow counter, 11bit programmable counter and prescaler control logic to switch frequency division ratio of 2 modulus prescaler connected externally.



- Total frequency division ratio is defined as follows.

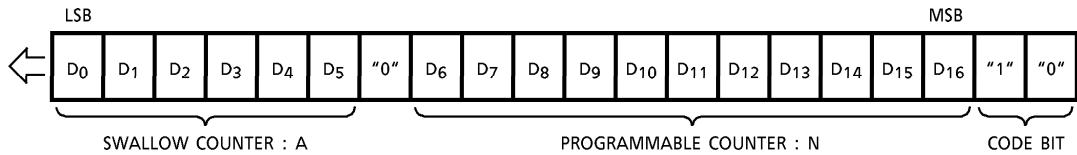
$$\text{Frequency division ratio} = (P + 1) \cdot A + P \cdot (N - A)$$

$$= P \cdot N + A \quad (\text{Note}) : N > A$$
- Frequency division ratio of the external prescaler should be "P + 1" when PSC is "L" level and "P" when PSC is "H" level.
- Serial data
 Serial data which defines frequency division ratio of programmable counter is composed of 20bit but changes according to "P" of external prescaler.
 - (1) When used with an external prescaler of P = 128



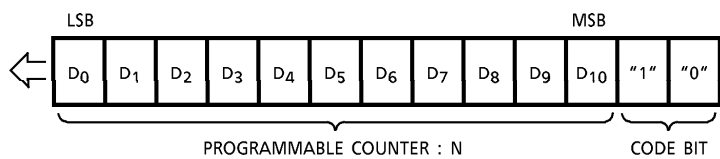
* D₀~D₁₇ is binary code D of frequency division ratio intended.
 Generally $16,384 \leq D \leq 262,143$

(2) When used with an external prescaler of $P = 64$



* $D_0 \sim D_{16}$ is binary code D of frequency division ratio intended.
 The 7th bit should be fixed at "L".
 Generally $4,096 \leq D \leq 131,071$

(3) When used as a normal programmable counter



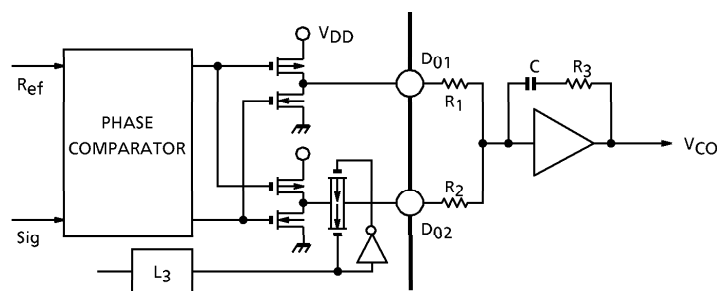
* $D_0 \sim D_{10}$ is binary code D of frequency division ratio intended.
 $5 \leq D \leq 2,047$

4. Phase comparator

Phase comparator converts phase difference of reference divider output and programmable counter output into V_{CO} control voltage and has features as following.

- Always operating ordinary tri-state output (D_{01}).
- Tri-state output (D_{02}) which can be controlled ON/OFF according to serial data given externally.
- Phase comparator outputs (H, L) to connect high voltage charge pump externally.
- Lock detector output (LD) which can be compulsorily set by data given externally.

(1) Example use of D_{01} , D_{02} terminal

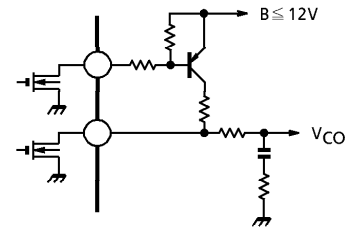


When change a channel, ON the D_{02} output and make the time constant of the low pass filter smaller to make PLL lock state fastly.

And after PLL is locked, OFF the D_{02} output and make the time constant larger to improve side-band spurious feature and stability.

(2) Example use of H, L terminals

When connect an external passive low pass filter, supply voltage of charge pump should be high. In this case connect an external PNP transistor as a right figure.

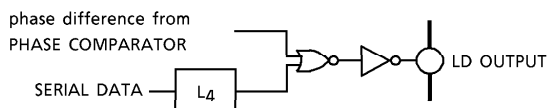


● Lock detector

Lock detector (LD) outputs pulse signal during phase deference time detected by phase detector circuit.

Additionally this lock detector output can be fixed unlocked state compulsorily by serial data given externally.

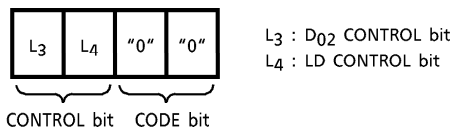
By fixing LD unlocked state just before channel changing to stop transmission output and canceling unlocked state after a definite time from the channel changing, troubles at channel changing e.g., overshoot can be prevented from.



● Serial data

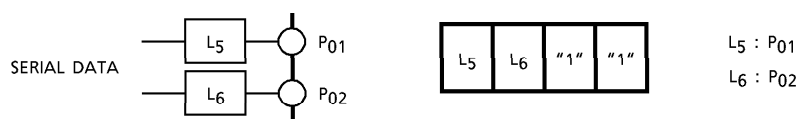
Serial data controls concerning phase comparator circuit are tri-state output ON/OFF control and lock detector compulsory set mentioned before.

They are composed of 4 bits serial data as below.



5. Wide purposive output port

P01, P02 output ports are available to many functions e.g., transmitter/receiver switching signal, band switching signal, sensibility switching and frequency band switching, according to serial data.



6. Test circuit

When Test terminal (8 pin) is placed at "H" level, this LSI is placed in the test mode as followings.

1. P01 terminal outputs reference divider output.
2. P02 terminal outputs programmable counter output.

MAXIMUM RATINGS (Ta = 25°C)

CHARACTERISTIC	SYMBOL	RATING	UNIT
Supply Voltage	V _{DD}	-0.3~7.0	V
Input Voltage	V _{IN}	-0.3~V _{DD} + 0.3	V
Power Dissipation	P _D	300	mW
Operating Temperature	T _{opr}	-30~85	°C
Storage Temperature	T _{stg}	-55~125	°C

ELECTRICAL CHARACTERISTICS (Unless otherwise specified, Ta = 25°C, V_{DD} = 5V)

CHARACTERISTIC	SYMBOL	TEST CIR-CUIT	TEST CONDITION	MIN.	TYP.	MAX.	UNIT
Operating Supply Voltage	V _{DD}	—	f _{OSC} = f _{PIN} = 10MHz, V _{PIN} = 0.5V _{p-p} , Ta = -30~85°C	4.0	5.0	6.0	V
Operating Supply Current	I _{DD}	—	f _{OSC} = f _{PIN} = 10MHz, V _{PIN} = 0.5V _{p-p} , Ta = -30~85°C	—	2.0	5.0	mA

Reference divider block

X'tal Oscillating Frequency	f _{OSC}	—	V _{DD} = 4~6V	1.0	—	15.0	MHz
X _T Input Frequency	f _{X_Tin}	—	V _{DD} = 4~6V, V _{X_Tin} = 100mV _{rms}	1.0	—	15.0	MHz
X _T Input Voltage	V _{X_Tin}	—	V _{DD} = 4~6V, f _{X_T} = 10MHz	100	—	—	mV _{rms}

Programmable counter block

P _{IN} Frequency	f _{Pin}	—	V _{DD} = 4~6V, V _{Pin} = 0.5V _{p-p}	1k	—	10M	Hz
P _{IN} Input Voltage	V _{Pin}	—	V _{DD} = 4~6V, f _{Pin} = 10MHz	0.5	—	—	V _{p-p}

Phase comparator block (D₀₁, D₀₂, LD, H, L)

Output Current	"H" Level	I _{OH}	—	D ₀₁ , D ₀₂ , LD V _{DD} = 5V, V _{OH} = 4V	0.5	1.5	3.0	mA
	"L" Level	I _{OL}	—	D ₀₁ , D ₀₂ , LD, H, L V _{DD} = 5V, V _{OL} = 1V	0.5	1.5	3.0	mA
Breakdown Voltage	V _O	—	H, L, V _{DD} = 4~6V	—	—	12.0	V	
Off Leak Current	I _L	—	D ₀₁ , D ₀₂ , H, L V _{DD} = 6V	—	—	0.1	μA	

Output port (P₀₁, P₀₂)

Output Current	"H" Level	I _{OH}	—	V _{DD} = 5V, V _{OH} = 4V	0.5	1.5	3.0	mA
	"L" Level	I _{OL}	—	V _{DD} = 5V, V _{OL} = 1V	0.5	1.5	3.0	

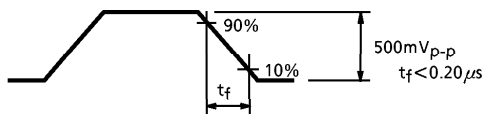
Serial input (CK, DATA, STB)

CHARACTERISTIC		SYMBOL	TEST CIR-CUIT	TEST CONDITION	MIN.	TYP.	MAX.	UNIT
Input Voltage	"H" Level	V_{IH}	—	$V_{DD} = 5V$	3.8	—	5.0	V
	"L" Level	V_{IL}		$V_{DD} = 5V$	0.0	—	1.2	
Input Speed		S_{IN}	—	—	5	—	—	μs

(Note 1) X_T : SIN wave input

P_{IN} : SQ wave input

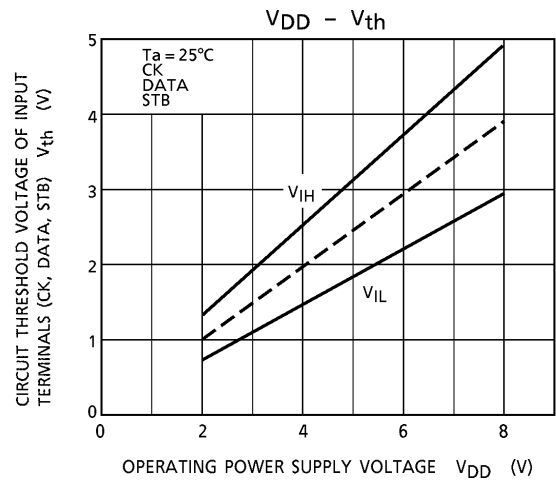
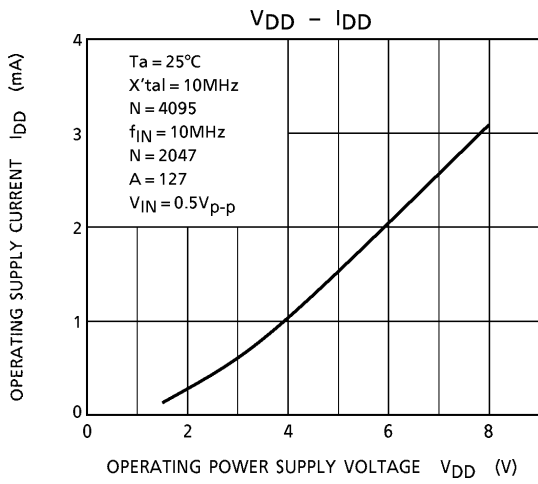
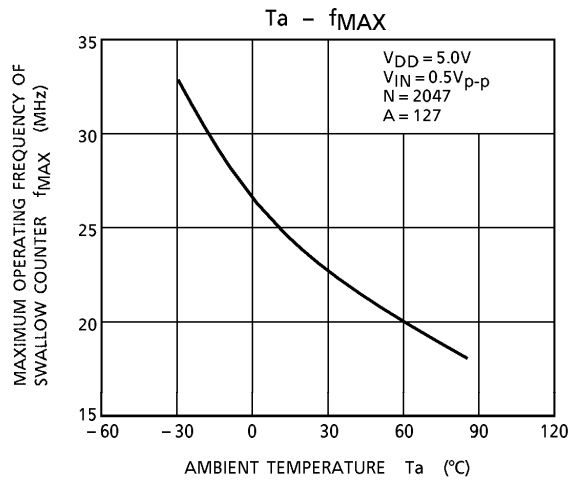
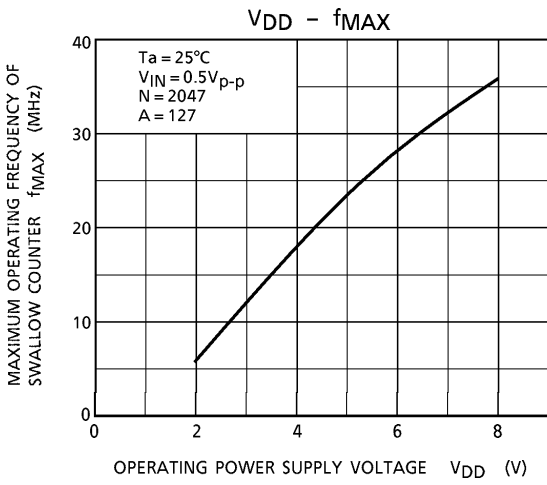
(Note 2) Falling of P_{IN} input wave have a rule as following.



* $t_f < 0.20 \mu s$

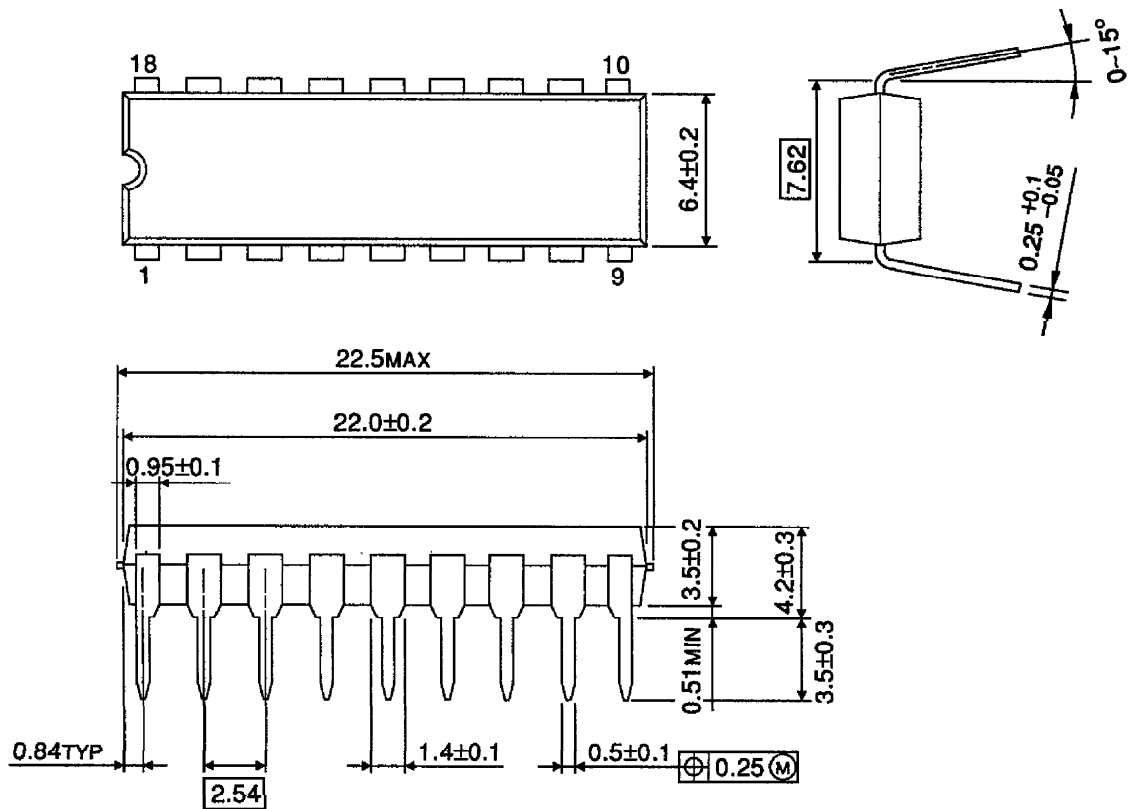
(Note 3) Choose a crystal oscillator that has a small CI value and good startup characteristics.

CHARACTERISTIC DATA



OUTLINE DRAWING
DIP18-P-300-2.54A

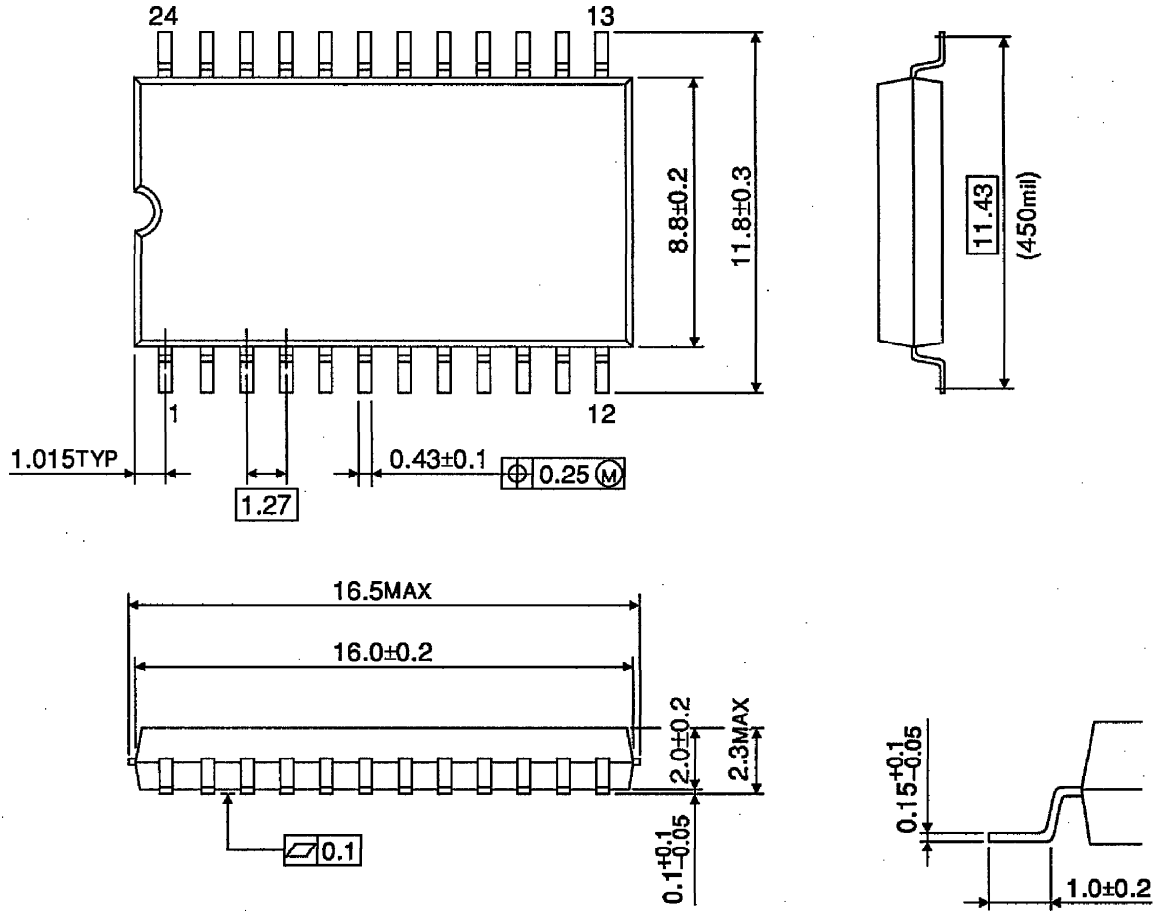
Unit : mm



Weight : 1.12g (Typ.)

OUTLINE DRAWING
SOP24-P-450-1.27A

Unit : mm



Weight : 0.44g (Typ.)