

# Photo Diode

## MTD3010PM

### Applications -

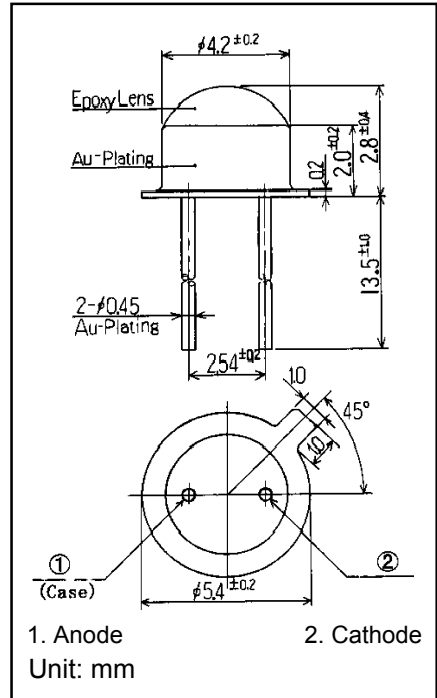
- Edge Sensing
- Fiber Optics
- Smoke Detectors
- Optical Switch

### Features -

- High Reliability in Demanding Environments (Metal Can Package)
- Wide Angular Response

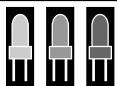
### MAXIMUM RATINGS (Ta = 25°C)

CHARACTERISTIC	SYMBOL	RATING	UNIT
Reverse Voltage	$V_R$	30	V
Power Dissipation	$P_D$	100	mW
Operating Temperature	$T_{opr}$	-30~85	°C
Storage Temperature	$T_{stg}$	-30~100	°C
Junction Temperature	$T_j$	100	°C



### OPTO-ELECTRICAL CHARACTERISTICS (Ta = 25°C)

CHARACTERISTIC	SYMBOL	TEST CONDITION	MIN.	TYP.	MAX.	UNIT
Open Circuit Voltage	$V_{oc}$	L = 100Lux	—	.36	—	V
Short Circuit Current	$I_{sc}$	VR = 10V, L = 1000Lux	—	30	—	μA
Dark Current	ID	VR = 10V	—	—	10	nA
Spectral Sensitivity	$\lambda$	—	—	400~1100	—	nm
Spectral Sensitivity	$\lambda$	Using Filter	—	800~1100	—	nm
Peak Sensitivity Wavelength	$\lambda_p$	—	—	950	—	nm
Half Intensity Beam Angle	$\theta$	—	—	±60	—	deg
Junction Capacitance	$C_j$	at 1 MHz, V = 0V	—	10	—	pF



marktech  
optoelectronics

120 Broadway • Menands, New York 12204

Toll Free: (800) 98-4LEDS • Fax: (518) 432-7454

# Photo Diode

## MTD3010PM Graphs -

