

FLASH MEMORY

CMOS

32M (2M × 16) BIT Page Dual Operation

MBM29PDS322TE/BE 10/11

DESCRIPTION

The MBM29PDS322TE/BE is 32M-bit, 1.8 V-only Flash memory organized as 2M words of 16 bits each. The device is offered in 63-ball FBGA package. This device is designed to be programmed in system with standard system 1.8 V V_{CC} supply. 12.0 V V_{PP} and 5.0 V V_{CC} are not required for write or erase operations. The device can also be reprogrammed in standard EPROM programmers.

The device is organized into two banks, Bank 1 and Bank 2, which can be considered to be two separate memory arrays as far as certain operations are concerned. This device is the same as Fujitsu's standard 1.8 V only Flash memories with the additional capability of allowing a normal non-delayed read access from a non-busy bank of the array while an embedded write (either a program or an erase) operation is simultaneously taking place on the other bank.

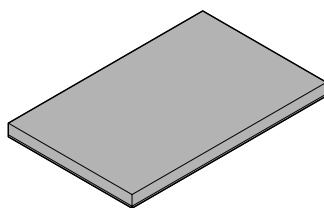
(Continued)

PRODUCT LINE-UP

Part No.		MBM29PDS322TE/BE	
Ordering Part No.	$V_{CC} = 2.0\text{ V}$ <small>+0.2V -0.2V</small>	10	11
Max. Random Address Access Time (ns)		100	115
Max. Page Address Access Time (ns)		45	45
Max. \overline{CE} Access Time (ns)		100	115
Max. \overline{OE} Access Time (ns)		35	45

PACKAGE

63-ball plastic FBGA



(BGA-63P-M01)

(Continued)

The device provides truly high performance non-volatile Flash memory solution. The device offers fast page access times of 45 ns with random access times of 100 ns and 115 ns, allowing operation of high-speed microprocessors without wait states. To eliminate bus contention the device has separate chip enable (\overline{CE}), write enable (\overline{WE}), and output enable (\overline{OE}) controls. The page size is 4 words.

The device is pin and command set compatible with JEDEC standard E²PROMs. Commands are written to the command register using standard microprocessor write timings. Register contents serve as input to an internal state-machine which controls the erase and programming circuitry. Write cycles also internally latch addresses and data needed for the programming and erase operations. Reading data out of the device is similar to reading from 5.0 V and 12.0 V Flash or EPROM devices.

The device is programmed by executing the program command sequence. This will invoke the Embedded Program Algorithm which is an internal algorithm that automatically times the program pulse widths and verifies proper cell margin. Typically, each sector can be programmed and verified in about 0.5 seconds. Erase is accomplished by executing the erase command sequence. This will invoke the Embedded Erase Algorithm which is an internal algorithm that automatically preprograms the array if it is not already programmed before executing the erase operation. During erase, the device automatically time the erase pulse widths and verify proper cell margin.

A sector is typically erased and verified in 1.0 second. (If already completely preprogrammed.)

The device also features a sector erase architecture. The sector mode allows each sector to be erased and reprogrammed without affecting other sectors. The device is erased when shipped from the factory.

The device features single 1.8 V power supply operation for both read and write functions. Internally generated and regulated voltages are provided for the program and erase operations. A low V_{CC} detector automatically inhibits write operations on the loss of power. The end of program or erase is detected by \overline{Data} Polling of DQ₇, by the Toggle Bit feature on DQ₆, or the RY/ \overline{BY} output pin. Once the end of a program or erase cycle has been completed, the device internally resets to the read mode.

The device also has a hardware \overline{RESET} pin. When this pin is driven low, execution of any Embedded Program Algorithm or Embedded Erase Algorithm is terminated. The internal state machine is then reset to the read mode. The \overline{RESET} pin may be tied to the system reset circuitry. Therefore, if a system reset occurs during the Embedded Program Algorithm or Embedded Erase Algorithm, the device is automatically reset to the read mode and will have erroneous data stored in the address locations being programmed or erased. These locations need re-writing after the Reset. Resetting the device enables the system's microprocessor to read the boot-up firmware from the Flash memory.

Fujitsu's Flash technology combines years of EPROM and E²PROM experience to produce the highest levels of quality, reliability, and cost effectiveness. The device memory electrically erase the entire chip or all bits within a sector simultaneously via Fowler-Nordhiem tunneling. The bytes/words are programmed one byte/word at a time using the EPROM programming mechanism of hot electron injection.

■ FEATURES

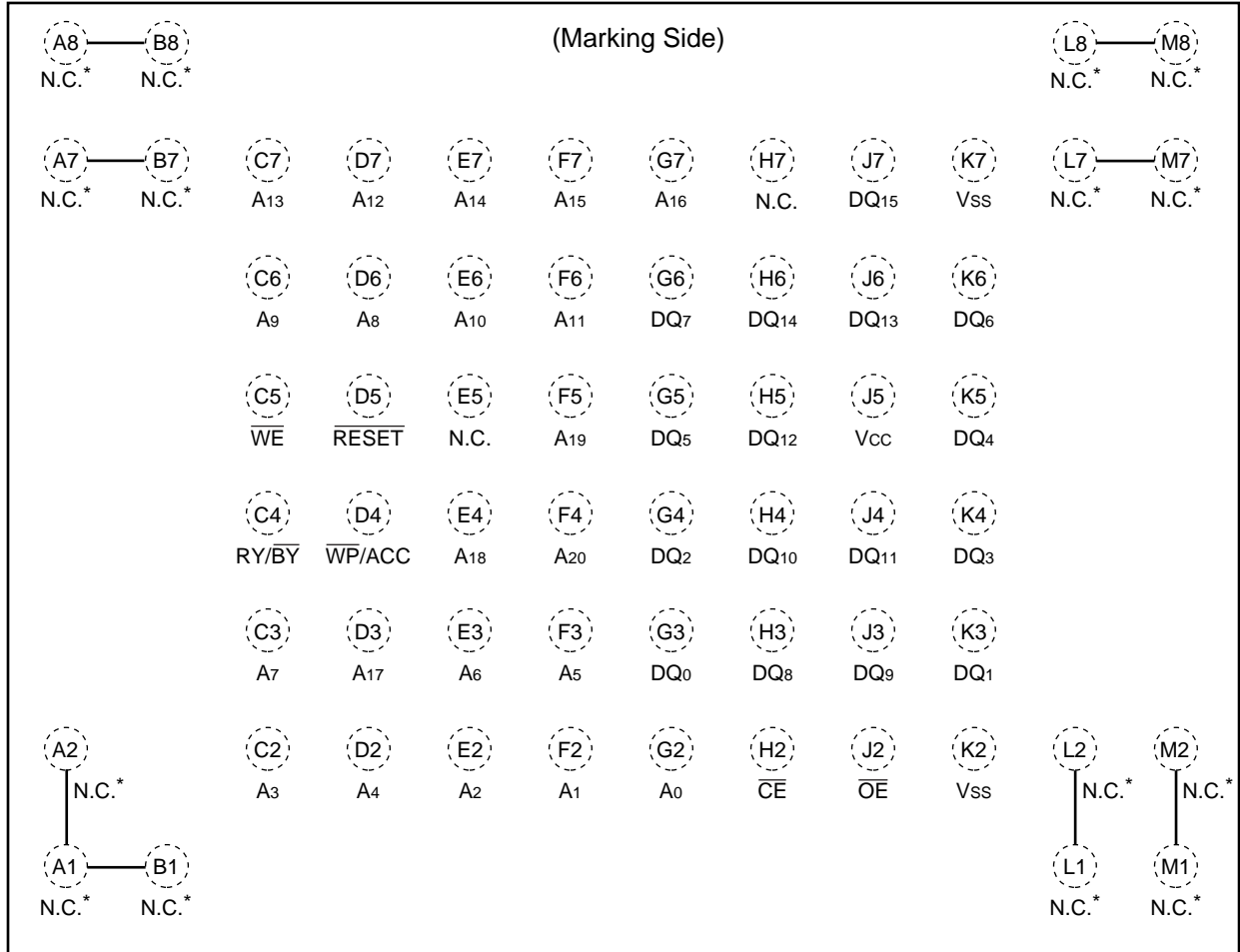
- **0.23 μ m Process Technology**
- **Simultaneous Read/Write operations (Dual Bank)**
Host system can program or erase in one bank, and then read immediately and simultaneously from the other bank with zero latency between read and write operations.
Read-while-erase
Read-while-program
- **High performance Page Mode**
45 ns maximum page access time (100 ns random access time)
4 words Page Size
- **Single 1.8 V read, program, and erase**
Minimized system level power requirements
- **Compatible with JEDEC-standard commands**
Use the same software commands as E²PROMs.
- **Compatible with JEDEC-standard world-wide pinouts**
63-ball FBGA (Package suffix: PBT)
- **Minimum 100,000 program/erase cycles**
- **Sector erase architecture**
Eight 4 Kword and sixty-three 32 Kword sectors in word mode
Any combination of sectors can be concurrently erased. Also supports full chip erase.
- **Boot Code Sector Architecture**
T = Top sector
B = Bottom sector
- **Hidden ROM (Hi-ROM) region**
64 Kbyte of Hi-ROM, accessible through a new “Hi-ROM Enable” command sequence
Factory serialized and protected to provide a secure electronic serial number (ESN)
- **WP/ACC input pin**
At V_{IL} , allows protection of boot sectors, regardless of sector protection/unprotection status.
At V_{IH} , allows removal of boot sector protection.
At V_{ACC} , increases program performance.
- **Embedded Erase™ Algorithms**
Automatically pre-programs and erases the chip or any sector.
- **Embedded Program™ Algorithms**
Automatically writes and verifies data at specified address.
- **Data Polling and Toggle Bit feature for detection of program or erase cycle completion**
- **Ready/Busy output (RY/BY)**
Hardware method for detection of program or erase cycle completion
- **Automatic sleep mode**
When addresses remain stable, automatically switch themselves to low power mode.
- **Erase Suspend/Resume**
Suspends the erase operation to allow a read data and/or program in another sector within the same device.
- **Sector group protection**
Hardware method disables any combination of sector groups from program or erase operations.
- **Sector Group Protection Set function by Extended sector group protection command**
- **Fast Programming Function by Extended Command**
- **Temporary sector group unprotection**
Temporary sector group unprotection via the \overline{RESET} pin.

Table 1: MBM29PDS322TE/BE Device Bank Division

Device Part Number	Organization	Bank 1		Bank 2	
		Megabits	Sector Sizes	Megabits	Sector Sizes
MBM29PDS322TE/BE	× 16	4 Mbit	Eight 4 Kword, seven 32 Kword	28 Mbit	Fifty-six 32 Kword

■ PIN ASSIGNMENT

(TOP VIEW)



(BGA-63P-M01)

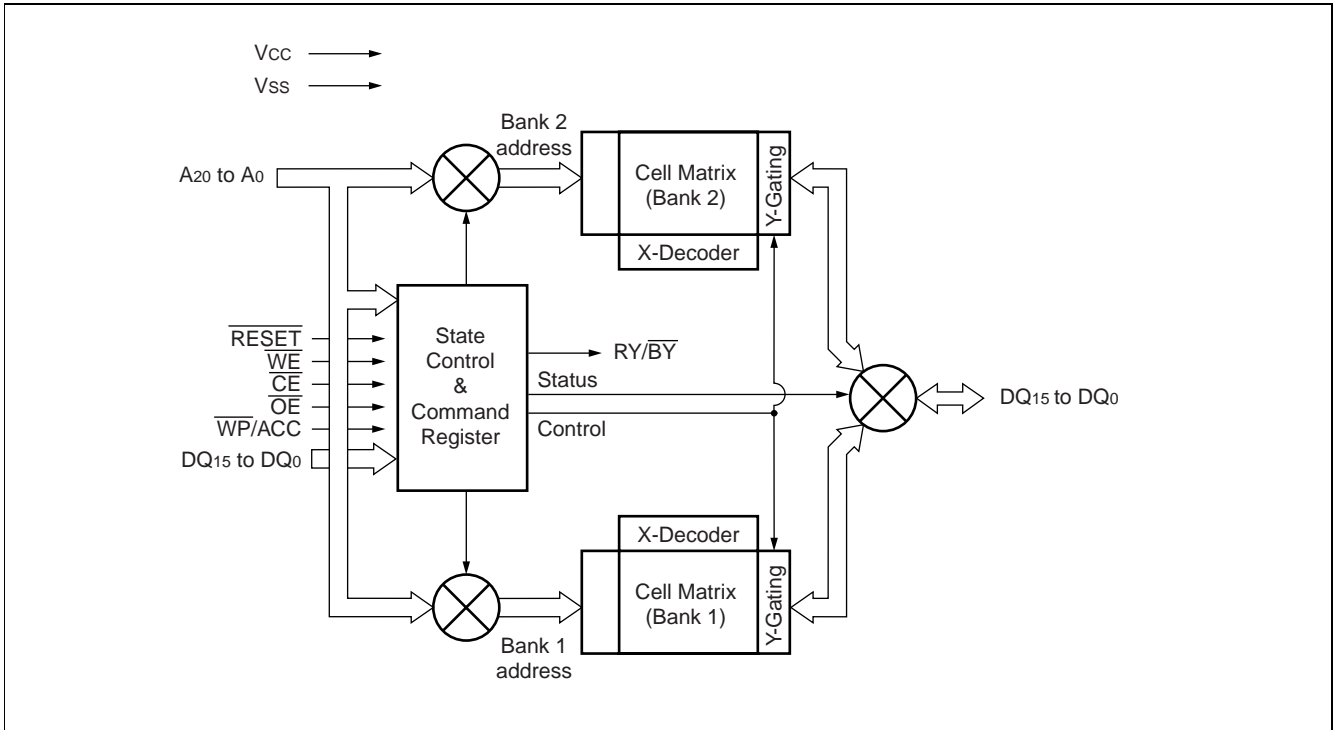
*: Peripheral balls on each corner are shorted together via the substrate but not connected to the die.

■ PIN DESCRIPTION

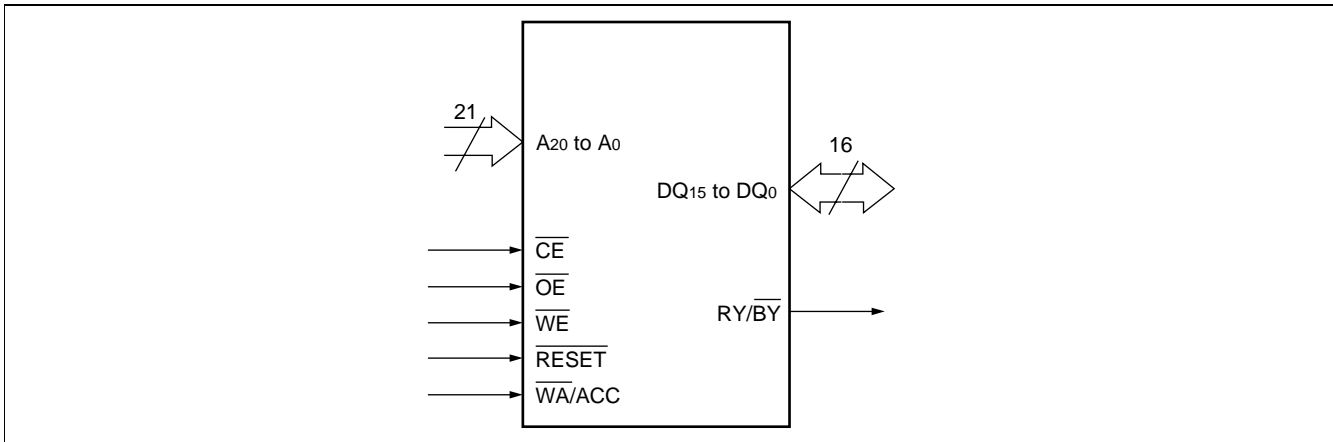
Table 2: MBM29PDS322TE/BE Pin Configuration

Pin name	Function
A ₂₀ to A ₀	Address Inputs
DQ ₁₅ to DQ ₀	Data Inputs/Outputs
$\overline{\text{CE}}$	Chip Enable
$\overline{\text{OE}}$	Output Enable
$\overline{\text{WE}}$	Write Enable
RY/ $\overline{\text{BY}}$	Ready/Busy Output
$\overline{\text{RESET}}$	Hardware Reset Pin/Temporary Sector Group Unprotection
$\overline{\text{WP/ACC}}$	Hardware Write Protection/Program Acceleration
N.C.	No Internal Connection
V _{SS}	Device Ground
V _{CC}	Device Power Supply

■ BLOCK DIAGRAM





■ LOGIC SYMBOL



■ DEVICE BUS OPERATION

Table 3: MBM29PDS322TE/BE User Bus Operations

Operation	\overline{CE}	\overline{OE}	\overline{WE}	A ₀	A ₁	A ₂	A ₃	A ₆	A ₉	DQ ₁₅ to DQ ₀	RESET	WP/ACC
Auto-Select Manufacturer Code *1	L	L	H	L	L	L	L	L	V _{ID}	Code	H	X
Auto-Select Device Code *1	L	L	H	H	L	L	L	L	V _{ID}	Code	H	X
Extended Auto-Select Device Code *1	L	L	H	L/H	H	H	H	L	V _{ID}	Code	H	X
Read *3	L	L	H	A ₀	A ₁	A ₂	A ₃	A ₆	A ₉	D _{OUT}	H	X
Standby	H	X	X	X	X	X	X	X	X	High-Z	H	X
Output Disable	L	H	H	X	X	X	X	X	X	High-Z	H	X
Write (Program/Erase)	L	H	L	A ₀	A ₁	A ₂	A ₃	A ₆	A ₉	D _{IN}	H	X
Enable Sector Group Protection *2, *4	L	V _{ID}		L	H	L	L	L	V _{ID}	X	H	X
Verify Sector Group Protection *2, *4	L	L	H	L	H	L	L	L	V _{ID}	Code	H	X
Temporary Sector Group Unprotection *5	X	X	X	X	X	X	X	X	X	X	V _{ID}	X
Reset (Hardware) / Standby	X	X	X	X	X	X	X	X	X	High-Z	L	X
Boot Block Sector Write Protection *6	X	X	X	X	X	X	X	X	X	X	X	L

Legend: L = V_{IL}, H = V_{IH}, X = V_{IL} or V_{IH},  = Pulse input. See DC Characteristics for voltage levels.

*1: Manufacturer and device codes may also be accessed via a command register write sequence. See Table 3.

*2: Refer to section on Sector Group Protection.

*3: \overline{WE} can be V_{IL} if \overline{OE} is V_{IL}, \overline{OE} at V_{IH} initiates the write operations.

*4: V_{CC} must be between the minimum and maximum of the operation range.

*5: It is also used for the extended sector group protection.

*6: Protect "outermost" 2 × 4 Kwords of the boot block sectors.

Table 4: MBM29PDS322TE/BE Command Definitions

Command Sequence		Bus Write Cycles Req'd	First Bus Write Cycle		Second Bus Write Cycle		Third Bus Write Cycle		Fourth Bus Read/Write Cycle		Fifth Bus Write Cycle		Sixth Bus Write Cycle	
			Addr.	Data	Addr.	Data	Addr.	Data	Addr.	Data	Addr.	Data	Addr.	Data
Read/Reset	Word	1	XXXh	F0h	—	—	—	—	—	—	—	—	—	—
Read/Reset	Word	3	555h	AAh	2AAh	55h	555h	F0h	RA	RD	—	—	—	—
Auto select	Word	3	555h	AAh	2AAh	55h	(BA) 555h	90h	—	—	—	—	—	—
Program	Word	4	555h	AAh	2AAh	55h	555h	A0h	PA	PD	—	—	—	—
Chip Erase	Word	6	555h	AAh	2AAh	55h	555h	80h	555h	AAh	2AAh	55h	555h	10h
Sector Erase	Word	6	555h	AAh	2AAh	55h	555h	80h	555h	AAh	2AAh	55h	SA	30h
Erase Suspend		1	BA	B0h	—	—	—	—	—	—	—	—	—	—
Erase Resume		1	BA	30h	—	—	—	—	—	—	—	—	—	—
Set to Fast Mode	Word	3	555h	AAh	2AAh	55h	555h	20h	—	—	—	—	—	—
Fast Program *1	Word	2	XXXh	A0h	PA	PD	—	—	—	—	—	—	—	—
Reset from Fast Mode *1	Word	2	BA	90h	XXXh	*4 F0h	—	—	—	—	—	—	—	—
Extended Sector Group Protection *2	Word	4	XXXh	60h	SPA	60h	SPA	40h	SPA	SD	—	—	—	—
Query	Word	1	(BA) 55h	98h	—	—	—	—	—	—	—	—	—	—
Hi-ROM Entry	Word	3	555h	AAh	2AAh	55h	555h	88h	—	—	—	—	—	—
Hi-ROM Program *3	Word	4	555h	AAh	2AAh	55h	555h	A0h	(HRA) PA	PD	—	—	—	—
Hi-ROM Erase *3	Word	6	555h	AAh	2AAh	55h	555h	80h	555h	AAh	2AAh	55h	HRA	30h
Hi-ROM Exit *3	Word	4	555h	AAh	2AAh	55h	(HRBA) 555h	90h	XXXh	00h	—	—	—	—

*1: This command is valid while Fast Mode.

*2: This command is valid while $\overline{\text{RESET}} = V_{\text{ID}}$.

*3: This command is valid while Hi-ROM mode.

*4: The data "00h" is also acceptable.

Note 1. Address bits A_{20} to $A_{12} = X = \text{"H"} \text{ or } \text{"L"}$ for all address commands except or Program Address (PA), Sector Address (SA), and Bank Address (BA).

2. Bus operations are defined in Table 8.

3. RA = Address of the memory location to be read

PA = Address of the memory location to be programmed

Addresses are latched on the falling edge of the write pulse.

- SA = Address of the sector to be erased. The combination of A₂₀, A₁₉, A₁₈, A₁₇, A₁₆, A₁₅, A₁₄, A₁₃, and A₁₂ will uniquely select any sector.
- BA = Bank Address (A₂₀ to A₁₅)
- 4.RD = Data read from location RA during the read operation.
- PD = Data to be programmed at location PA. Data is latched on the falling edge of write pulse.
- 5.SPA = Sector group address to be protected. Set sector group address (SGA) and (A₆, A₁, A₀) = (0, 1, 0).
- SD = Sector group protection verify data. Output 01h at protected sector group addresses and output 00h at unprotected sector group addresses.
- 6.HRA = Address of the Hi-ROM area
29PDS322TE (Top Boot Type)Word Mode:1F8000h to 1FFFFFFh
29PDS322BE (Bottom Boot Type)Word Mode:000000h to 007FFFh
- 7.HRBA =Bank Address of the Hi-ROM area
29PDS322TE (Top Boot Type):A₂₀ = A₁₉ = A₁₈ = A₁₇ = A₁₆ = A₁₅ = 1
29PDS322BE (Bottom Boot Type):A₂₀ = A₁₉ = A₁₈ = A₁₇ = A₁₆ = A₁₅ = 0
- 8.The system should generate the following address patterns:
Word Mode: 555h or 2AAh to addresses A₁₀ to A₀
- 9.Both Read/Reset commands are functionally equivalent, resetting the device to the read mode.

Table 5.1 MBM29PDS322TE Sector Group Protection Verify Autoselect Codes

Type		A ₂₀ to A ₁₂	A ₆	A ₃	A ₂	A ₁	A ₀	Code (HEX)
Manufacture's Code		BA ^{*2}	V _{IL}	V _{IL}	V _{IL}	V _{IL}	V _{IL}	04h
Device Code	Word	BA ^{*2}	V _{IL}	V _{IL}	V _{IL}	V _{IL}	V _{IH}	227Eh
Extended Device Code ^{*3}	Word	BA ^{*2}	V _{IL}	V _{IH}	V _{IH}	V _{IH}	V _{IL}	2206h
	Word	BA ^{*2}	V _{IL}	V _{IH}	V _{IH}	V _{IH}	V _{IH}	2201h
Sector Group Protection		Sector Group Addresses	V _{IL}	V _{IL}	V _{IL}	V _{IH}	V _{IL}	01h ^{*1}

*1: Outputs 01h at protected sector group addresses and outputs 00h at unprotected sector group addresses.

*2: When V_{ID} is applied, both Bank 1 and Bank 2 become Autoselect mode, which leads to the simultaneous operation unable to be executed. Consequently, specifying the bank address is not demanded. However, the bank address needs to be indicated when Autoselect mode is read out at command mode; because then it becomes OK to activate simultaneous operation.

*3: A read cycle at address (BA)01h outputs device code. When 227Eh was output, this indicates that there will require two additional codes, called Extended Device Codes. Therefore, the system may continue reading out these Extended Device Codes at the address of (BA)0Eh, as well as at (BA)0Fh.

Table 5.2 Expanded Autoselect Code Table

Type		Code	DQ ₁₅	DQ ₁₄	DQ ₁₃	DQ ₁₂	DQ ₁₁	DQ ₁₀	DQ ₉	DQ ₈	DQ ₇	DQ ₆	DQ ₅	DQ ₄	DQ ₃	DQ ₂	DQ ₁	DQ ₀
Manufacturer's Code		04h	0	0	0	0	0	0	0	0	0	0	0	0	0	1	0	0
Device Code	(W)	227Eh	0	0	1	0	0	0	1	0	0	1	1	1	1	1	1	0
Extended Device Code	(W)	2206h	0	0	1	0	0	0	1	0	0	0	0	0	0	1	1	0
	(W)	2201h	0	0	1	0	0	0	1	0	0	0	0	0	0	0	0	1
Sector Group Protection		01h	0	0	0	0	0	0	0	0	0	0	0	0	0	0	0	1

(W): Word mode

Table 5.3 MBM29PDS322BE Sector Group Protection Verify Autoselect Codes

Type		A ₂₀ to A ₁₂	A ₆	A ₃	A ₂	A ₁	A ₀	Code (HEX)
Manufacturer's Code		BA ^{*2}	V _{IL}	V _{IL}	V _{IL}	V _{IL}	V _{IL}	04h
Device Code	Word	BA ^{*2}	V _{IL}	V _{IL}	V _{IL}	V _{IL}	V _{IH}	227Eh
Extended Device Code ^{*3}	Word	BA ^{*2}	V _{IL}	V _{IH}	V _{IH}	V _{IH}	V _{IL}	2206h
	Word	BA ^{*2}	V _{IL}	V _{IH}	V _{IH}	V _{IH}	V _{IH}	2200h
Sector Group Protection		Sector Group Addresses	V _{IL}	V _{IL}	V _{IL}	V _{IH}	V _{IL}	01h ^{*1}

*1: Outputs 01h at protected sector group addresses and outputs 00h at unprotected sector group addresses.

*2: When V_{ID} is applied, both Bank 1 and Bank 2 become Autoselect mode, which leads to the simultaneous operation unable to be executed. Consequently, specifying the bank address is not demanded. However, the bank address needs to be indicated when Autoselect mode is read out at command mode; because then it becomes OK to activate simultaneous operation.

* 3: A read cycle at address (BA)01h outputs device code. When 227Eh was output, this indicates that there will require two additional codes, called Extended Device Codes. Therefore, the system may continue reading out these Extended Device Codes at the address of (BA)0Eh, as well as at (BA)0Fh.

Table 5.4 Expanded Autoselect Code Table

Type		Code	DQ ₁₅	DQ ₁₄	DQ ₁₃	DQ ₁₂	DQ ₁₁	DQ ₁₀	DQ ₉	DQ ₈	DQ ₇	DQ ₆	DQ ₅	DQ ₄	DQ ₃	DQ ₂	DQ ₁	DQ ₀
Manufacturer's Code		04h	0	0	0	0	0	0	0	0	0	0	0	0	0	1	0	0
Device Code	(W)	227Eh	0	0	1	0	0	0	1	0	0	1	1	1	1	1	1	0
Extended Device Code	(W)	2206h	0	0	1	0	0	0	1	0	0	0	0	0	0	1	1	0
	(W)	2200h	0	0	1	0	0	0	1	0	0	0	0	0	0	0	0	0
Sector Group Protection		01h	0	0	0	0	0	0	0	0	0	0	0	0	0	0	0	1

(W): Word mode

■ FLEXIBLE SECTOR-ERASE ARCHITECTURE

Table 6.1 Sector Address Tables (MBM29PDS322TE)

Bank	Sector	Sector Address									Sector Size (Kwords)	(×16) Address Range
		Bank Address						A ₁₄	A ₁₃	A ₁₂		
		A ₂₀	A ₁₉	A ₁₈	A ₁₇	A ₁₆	A ₁₅					
Bank 2	SA0	0	0	0	0	0	0	X	X	X	32	000000h to 007FFFh
	SA1	0	0	0	0	0	1	X	X	X	32	008000h to 00FFFFh
	SA2	0	0	0	0	1	0	X	X	X	32	010000h to 017FFFh
	SA3	0	0	0	0	1	1	X	X	X	32	018000h to 01FFFFh
	SA4	0	0	0	1	0	0	X	X	X	32	020000h to 027FFFh
	SA5	0	0	0	1	0	1	X	X	X	32	028000h to 02FFFFh
	SA6	0	0	0	1	1	0	X	X	X	32	030000h to 037FFFh
	SA7	0	0	0	1	1	1	X	X	X	32	038000h to 03FFFFh
	SA8	0	0	1	0	0	0	X	X	X	32	040000h to 047FFFh
	SA9	0	0	1	0	0	1	X	X	X	32	048000h to 04FFFFh
	SA10	0	0	1	0	1	0	X	X	X	32	050000h to 057FFFh
	SA11	0	0	1	0	1	1	X	X	X	32	058000h to 05FFFFh
	SA12	0	0	1	1	0	0	X	X	X	32	060000h to 067FFFh
	SA13	0	0	1	1	0	1	X	X	X	32	068000h to 06FFFFh
	SA14	0	0	1	1	1	0	X	X	X	32	070000h to 077FFFh
	SA15	0	0	1	1	1	1	X	X	X	32	078000h to 07FFFFh
	SA16	0	1	0	0	0	0	X	X	X	32	080000h to 087FFFh
	SA17	0	1	0	0	0	1	X	X	X	32	088000h to 08FFFFh
	SA18	0	1	0	0	1	0	X	X	X	32	090000h to 097FFFh
	SA19	0	1	0	0	1	1	X	X	X	32	098000h to 09FFFFh
	SA20	0	1	0	1	0	0	X	X	X	32	0A0000h to 0A7FFFh
	SA21	0	1	0	1	0	1	X	X	X	32	0A8000h to 0AFFFFh
	SA22	0	1	0	1	1	0	X	X	X	32	0B0000h to 0B7FFFh
	SA23	0	1	0	1	1	1	X	X	X	32	0B8000h to 0BFFFFh
	SA24	0	1	1	0	0	0	X	X	X	32	0C0000h to 0C7FFFh
	SA25	0	1	1	0	0	1	X	X	X	32	0C8000h to 0CFFFFh
	SA26	0	1	1	0	1	0	X	X	X	32	0D0000h to 0D7FFFh
	SA27	0	1	1	0	1	1	X	X	X	32	0D8000h to 0DFFFFh
	SA28	0	1	1	1	0	0	X	X	X	32	0E0000h to 0E7FFFh
	SA29	0	1	1	1	0	1	X	X	X	32	0E8000h to 0EFFFFh
	SA30	0	1	1	1	1	0	X	X	X	32	0F0000h to 0F7FFFh
	SA31	0	1	1	1	1	1	X	X	X	32	0F8000h to 0FFFFFh
	SA32	1	0	0	0	0	0	X	X	X	32	100000h to 107FFFh
	SA33	1	0	0	0	0	1	X	X	X	32	108000h to 10FFFFh
SA34	1	0	0	0	1	0	X	X	X	32	110000h to 117FFFh	

(Continued)

MBM29PDS322TE/BE 10/11

(Continued)

Bank	Sector	Sector Address									Sector Size (Kwords)	(x16) Address Range
		Bank Address						A ₁₄	A ₁₃	A ₁₂		
		A ₂₀	A ₁₉	A ₁₈	A ₁₇	A ₁₆	A ₁₅					
Bank 2	SA35	1	0	0	0	1	1	X	X	X	32	118000h to 11FFFFh
	SA36	1	0	0	1	0	0	X	X	X	32	120000h to 127FFFh
	SA37	1	0	0	1	0	1	X	X	X	32	128000h to 12FFFFh
	SA38	1	0	0	1	1	0	X	X	X	32	130000h to 137FFFh
	SA39	1	0	0	1	1	1	X	X	X	32	138000h to 13FFFFh
	SA40	1	0	1	0	0	0	X	X	X	32	140000h to 147FFFh
	SA41	1	0	1	0	0	1	X	X	X	32	148000h to 14FFFFh
	SA42	1	0	1	0	1	0	X	X	X	32	150000h to 157FFFh
	SA43	1	0	1	0	1	1	X	X	X	32	158000h to 15FFFFh
	SA44	1	0	1	1	0	0	X	X	X	32	160000h to 167FFFh
	SA45	1	0	1	1	0	1	X	X	X	32	168000h to 16FFFFh
	SA46	1	0	1	1	1	0	X	X	X	32	170000h to 177FFFh
	SA47	1	0	1	1	1	1	X	X	X	32	178000h to 17FFFFh
	SA48	1	1	0	0	0	0	X	X	X	32	180000h to 187FFFh
	SA49	1	1	0	0	0	1	X	X	X	32	188000h to 18FFFFh
	SA50	1	1	0	0	1	0	X	X	X	32	190000h to 197FFFh
	SA51	1	1	0	0	1	1	X	X	X	32	198000h to 19FFFFh
	SA52	1	1	0	1	0	0	X	X	X	32	1A0000h to 1A7FFFh
	SA53	1	1	0	1	0	1	X	X	X	32	1A8000h to 1AFFFFh
	SA54	1	1	0	1	1	0	X	X	X	32	1B0000h to 1B7FFFh
SA55	1	1	0	1	1	1	X	X	X	32	1B8000h to 1BFFFFh	
Bank 1	SA56	1	1	1	0	0	0	X	X	X	32	1C0000h to 1C7FFFh
	SA57	1	1	1	0	0	1	X	X	X	32	1C8000h to 1CFFFFh
	SA58	1	1	1	0	1	0	X	X	X	32	1D0000h to 1D7FFFh
	SA59	1	1	1	0	1	1	X	X	X	32	1D8000h to 1DFFFFh
	SA60	1	1	1	1	0	0	X	X	X	32	1E0000h to 1E7FFFh
	SA61	1	1	1	1	0	1	X	X	X	32	1E8000h to 1EFFFFh
	SA62	1	1	1	1	1	0	X	X	X	32	1F0000h to 1F7FFFh
	SA63	1	1	1	1	1	1	0	0	0	4	1F8000h to 1F8FFFh
	SA64	1	1	1	1	1	1	0	0	1	4	1F9000h to 1F9FFFh
	SA65	1	1	1	1	1	1	0	1	0	4	1FA000h to 1FAFFFh
	SA66	1	1	1	1	1	1	0	1	1	4	1FB000h to 1FBFFFh
	SA67	1	1	1	1	1	1	1	0	0	4	1FC000h to 1FCFFFh
	SA68	1	1	1	1	1	1	1	0	1	4	1FD000h to 1FDFFFh
	SA69	1	1	1	1	1	1	1	1	0	4	1FE000h to 1FEFFFh
	SA70	1	1	1	1	1	1	1	1	1	4	1FF000h to 1FFFFFFh

MBM29PDS322TE Top Boot Sector Architecture

Table 6.2 Sector Address Tables (MBM29PDS322BE)

Bank	Sector	Sector Address									Sector Size (Kwords)	(×16) Address Range
		Bank Address						A ₁₄	A ₁₃	A ₁₂		
		A ₂₀	A ₁₉	A ₁₈	A ₁₇	A ₁₆	A ₁₅					
Bank 2	SA70	1	1	1	1	1	1	X	X	X	32	1F8000h to 1FFFFFh
	SA69	1	1	1	1	1	0	X	X	X	32	1F0000h to 1F7FFFh
	SA68	1	1	1	1	0	1	X	X	X	32	1E8000h to 1EFFFFh
	SA67	1	1	1	1	0	0	X	X	X	32	1E0000h to 1E7FFFh
	SA66	1	1	1	0	1	1	X	X	X	32	1D8000h to 1DFFFFh
	SA65	1	1	1	0	1	0	X	X	X	32	1D0000h to 1D7FFFh
	SA64	1	1	1	0	0	1	X	X	X	32	1C8000h to 1CFFFFh
	SA63	1	1	1	0	0	0	X	X	X	32	1C0000h to 1C7FFFh
	SA62	1	1	0	1	1	1	X	X	X	32	1B8000h to 1BFFFFh
	SA61	1	1	0	1	1	0	X	X	X	32	1B0000h to 1B7FFFh
	SA60	1	1	0	1	0	1	X	X	X	32	1A8000h to 1AFFFFh
	SA59	1	1	0	1	0	0	X	X	X	32	1A0000h to 1A7FFFh
	SA58	1	1	0	0	1	1	X	X	X	32	198000h to 19FFFFh
	SA57	1	1	0	0	1	0	X	X	X	32	190000h to 197FFFh
	SA56	1	1	0	0	0	1	X	X	X	32	188000h to 18FFFFh
	SA55	1	1	0	0	0	0	X	X	X	32	180000h to 187FFFh
	SA54	1	0	1	1	1	1	X	X	X	32	178000h to 17FFFFh
	SA53	1	0	1	1	1	0	X	X	X	32	170000h to 177FFFh
	SA52	1	0	1	1	0	1	X	X	X	32	168000h to 16FFFFh
	SA51	1	0	1	1	0	0	X	X	X	32	160000h to 167FFFh
	SA50	1	0	1	0	1	1	X	X	X	32	158000h to 15FFFFh
	SA49	1	0	1	0	1	0	X	X	X	32	150000h to 157FFFh
	SA48	1	0	1	0	0	1	X	X	X	32	148000h to 14FFFFh
	SA47	1	0	1	0	0	0	X	X	X	32	140000h to 147FFFh
	SA46	1	0	0	1	1	1	X	X	X	32	138000h to 13FFFFh
	SA45	1	0	0	1	1	0	X	X	X	32	130000h to 137FFFh
	SA44	1	0	0	1	0	1	X	X	X	32	128000h to 12FFFFh
	SA43	1	0	0	1	0	0	X	X	X	32	120000h to 127FFFh
	SA42	1	0	0	0	1	1	X	X	X	32	118000h to 11FFFFh
	SA41	1	0	0	0	1	0	X	X	X	32	110000h to 117FFFh
	SA40	1	0	0	0	0	1	X	X	X	32	108000h to 10FFFFh
	SA39	1	0	0	0	0	0	X	X	X	32	100000h to 107FFFh
SA38	0	1	1	1	1	1	X	X	X	32	0F8000h to 0FFFFFh	
SA37	0	1	1	1	1	0	X	X	X	32	0F0000h to 0F7FFFh	
SA36	0	1	1	1	0	1	X	X	X	32	0E8000h to 0EFFFFh	
SA35	0	1	1	1	0	0	X	X	X	32	0E0000h to 0E7FFFh	

(Continued)

MBM29PDS322TE/BE 10/11

(Continued)

Bank	Sector	Sector Address									Sector Size (Kwords)	(x16) Address Range
		Bank Address						A ₁₄	A ₁₃	A ₁₂		
		A ₂₀	A ₁₉	A ₁₈	A ₁₇	A ₁₆	A ₁₅					
Bank 2	SA34	0	1	1	0	1	1	X	X	X	32	0D8000h to 0DFFFFh
	SA33	0	1	1	0	1	0	X	X	X	32	0D0000h to 0D7FFFh
	SA32	0	1	1	0	0	1	X	X	X	32	0C8000h to 0CFFFFh
	SA31	0	1	1	0	0	0	X	X	X	32	0C0000h to 0C7FFFh
	SA30	0	1	0	1	1	1	X	X	X	32	0B8000h to 0BFFFFh
	SA29	0	1	0	1	1	0	X	X	X	32	0B0000h to 0B7FFFh
	SA28	0	1	0	1	0	1	X	X	X	32	0A8000h to 0AFFFFh
	SA27	0	1	0	1	0	0	X	X	X	32	0A0000h to 0A7FFFh
	SA26	0	1	0	0	1	1	X	X	X	32	098000h to 09FFFFh
	SA25	0	1	0	0	1	0	X	X	X	32	090000h to 097FFFh
	SA24	0	1	0	0	0	1	X	X	X	32	088000h to 08FFFFh
	SA23	0	1	0	0	0	0	X	X	X	32	080000h to 087FFFh
	SA22	0	0	1	1	1	1	X	X	X	32	078000h to 07FFFFh
	SA21	0	0	1	1	1	0	X	X	X	32	070000h to 077FFFh
	SA20	0	0	1	1	0	1	X	X	X	32	068000h to 06FFFFh
	SA19	0	0	1	1	0	0	X	X	X	32	060000h to 067FFFh
	SA18	0	0	1	0	1	1	X	X	X	32	058000h to 05FFFFh
SA17	0	0	1	0	1	0	X	X	X	32	050000h to 057FFFh	
SA16	0	0	1	0	0	1	X	X	X	32	048000h to 04FFFFh	
SA15	0	0	1	0	0	0	X	X	X	32	040000h to 047FFFh	
Bank 1	SA14	0	0	0	1	1	1	X	X	X	32	038000h to 03FFFFh
	SA13	0	0	0	1	1	0	X	X	X	32	030000h to 037FFFh
	SA12	0	0	0	1	0	1	X	X	X	32	028000h to 02FFFFh
	SA11	0	0	0	1	0	0	X	X	X	32	020000h to 027FFFh
	SA10	0	0	0	0	1	1	X	X	X	32	018000h to 01FFFFh
	SA9	0	0	0	0	1	0	X	X	X	32	010000h to 017FFFh
	SA8	0	0	0	0	0	1	X	X	X	32	008000h to 00FFFFh
	SA7	0	0	0	0	0	0	1	1	1	4	007000h to 007FFFh
	SA6	0	0	0	0	0	0	1	1	0	4	006000h to 006FFFh
	SA5	0	0	0	0	0	0	1	0	1	4	005000h to 005FFFh
	SA4	0	0	0	0	0	0	1	0	0	4	004000h to 004FFFh
	SA3	0	0	0	0	0	0	0	1	1	4	003000h to 003FFFh
	SA2	0	0	0	0	0	0	0	1	0	4	002000h to 002FFFh
SA1	0	0	0	0	0	0	0	0	1	4	001000h to 001FFFh	
SA0	0	0	0	0	0	0	0	0	0	4	000000h to 000FFFh	

MBM29PDS322BE Bottom Boot Sector Architecture

Table 7.1 Sector Group Address Table (MBM29PDS322TE) (Top Boot Block)

Sector Group	A ₂₀	A ₁₉	A ₁₈	A ₁₇	A ₁₆	A ₁₅	A ₁₄	A ₁₃	A ₁₂	Sectors
SGA0	0	0	0	0	0	0	X	X	X	SA0
SGA1	0	0	0	0	0	1	X	X	X	SA1 to SA3
					1	0				
					1	1				
SGA2	0	0	0	1	X	X	X	X	X	SA4 to SA7
SGA3	0	0	1	0	X	X	X	X	X	SA8 to SA11
SGA4	0	0	1	1	X	X	X	X	X	SA12 to SA15
SGA5	0	1	0	0	X	X	X	X	X	SA16 to SA19
SGA6	0	1	0	1	X	X	X	X	X	SA20 to SA23
SGA7	0	1	1	0	X	X	X	X	X	SA24 to SA27
SGA8	0	1	1	1	X	X	X	X	X	SA28 to SA31
SGA9	1	0	0	0	X	X	X	X	X	SA32 to SA35
SGA10	1	0	0	1	X	X	X	X	X	SA36 to SA39
SGA11	1	0	1	0	X	X	X	X	X	SA40 to SA43
SGA12	1	0	1	1	X	X	X	X	X	SA44 to SA47
SGA13	1	1	0	0	X	X	X	X	X	SA48 to SA51
SGA14	1	1	0	1	X	X	X	X	X	SA52 to SA55
SGA15	1	1	1	0	X	X	X	X	X	SA56 to SA59
SGA16	1	1	1	1	0	0	X	X	X	SA60 to SA62
					0	1				
					1	0				
SGA17	1	1	1	1	1	1	0	0	0	SA63
SGA18	1	1	1	1	1	1	0	0	1	SA64
SGA19	1	1	1	1	1	1	0	1	0	SA65
SGA20	1	1	1	1	1	1	0	1	1	SA66
SGA21	1	1	1	1	1	1	1	0	0	SA67
SGA22	1	1	1	1	1	1	1	0	1	SA68
SGA23	1	1	1	1	1	1	1	1	0	SA69
SGA24	1	1	1	1	1	1	1	1	1	SA70

Table 7.2 Sector Group Address Table (MBM29PDS322BE) (Bottom Boot Block)

Sector Group	A ₂₀	A ₁₉	A ₁₈	A ₁₇	A ₁₆	A ₁₅	A ₁₄	A ₁₃	A ₁₂	Sectors
SGA0	0	0	0	0	0	0	0	0	0	SA0
SGA1	0	0	0	0	0	0	0	0	1	SA1
SGA2	0	0	0	0	0	0	0	1	0	SA2
SGA3	0	0	0	0	0	0	0	1	1	SA3
SGA4	0	0	0	0	0	0	1	0	0	SA4
SGA5	0	0	0	0	0	0	1	0	1	SA5
SGA6	0	0	0	0	0	0	1	1	0	SA6
SGA7	0	0	0	0	0	0	1	1	1	SA7
SGA8	0	0	0	0	0	1	X	X	X	SA8 to SA10
					1	0				
					1	1				
SGA9	0	0	0	1	X	X	X	X	X	SA11 to SA14
SGA10	0	0	1	0	X	X	X	X	X	SA15 to SA18
SGA11	0	0	1	1	X	X	X	X	X	SA19 to SA22
SGA12	0	1	0	0	X	X	X	X	X	SA23 to SA26
SGA13	0	1	0	1	X	X	X	X	X	SA27 to SA30
SGA14	0	1	1	0	X	X	X	X	X	SA31 to SA34
SGA15	0	1	1	1	X	X	X	X	X	SA35 to SA38
SGA16	1	0	0	0	X	X	X	X	X	SA39 to SA42
SGA17	1	0	0	1	X	X	X	X	X	SA43 to SA46
SGA18	1	0	1	0	X	X	X	X	X	SA47 to SA50
SGA19	1	0	1	1	X	X	X	X	X	SA51 to SA54
SGA20	1	1	0	0	X	X	X	X	X	SA55 to SA58
SGA21	1	1	0	1	X	X	X	X	X	SA59 to SA62
SGA22	1	1	1	0	X	X	X	X	X	SA63 to SA66
SGA23	1	1	1	1	0	0	X	X	X	SA67 to SA69
					0	1				
					1	0				
SGA24	1	1	1	1	1	1	X	X	X	SA70

FUNCTIONAL DESCRIPTION

Simultaneous Operation

The device has feature, which is capable of reading data from one bank of memory while a program or erase operation is in progress in the other bank of memory (simultaneous operation), in addition to the conventional features (read, program, erase, erase-suspend read, and erase-suspend program). The bank selection can be selected by bank address (A₂₀ to A₁₅) with zero latency.

The device has two banks which contain

Bank 1 (4 KW × eight sectors, 32 KW × seven sectors) and Bank 2 (32 KW × fifty-six sectors).

The simultaneous operation can not execute multi-function mode in the same bank. Table 8 shows the possible combinations for simultaneous operation. (Refer to Figure 12 Back-to-Back Read/Write Timing Diagram.)

Table 8 Simultaneous Operation

Case	Bank 1 Status	Bank 2 Status
1	Read mode	Read mode
2	Read mode	Autoselect mode
3	Read mode	Program mode
4	Read mode	Erase mode *
5	Autoselect mode	Read mode
6	Program mode	Read mode
7	Erase mode *	Read mode

*: An erase operation may also be suspended to read from or program to a sector not being erased.

Read Mode

The device has two control functions which must be satisfied in order to obtain data at the outputs. \overline{CE} is the power control and should be used for a device selection. \overline{OE} is the output control and should be used as the gate data to the output pins if a device is selected.

Address access time (t_{ACC}) is equal to delay from stable addresses to valid output data. The chip enable access time (t_{CE}) is the delay from stable addresses and stable \overline{CE} to valid data at the output pins. The output enable access time (t_{OE}) is the delay from the falling edge of \overline{OE} to valid data at the output pins. (Assuming the addresses have been stable for at least t_{ACC-tOE} time.) When reading out data without changing addresses after power-up, it is necessary to input hardware reset or to change \overline{CE} pin from “H” or “L”.

Page Mode Read

The device is capable of fast Page mode read operation. This mode provides faster read access speed for random locations within a page. The Page size of the device is 4 words, within the appropriate Page being selected by the higher address bits A₂₀ to A₂ and the LSB bits A₁ and A₀ within that page. This is an asynchronous operation with the microprocessor supplying the specific word location.

The random or initial page access is equal to t_{ACC} and subsequent Page read access (as long as the locations specified by the microprocessor fall within that Page) is equivalent to t_{PACC}. Here again, \overline{CE} selects the device and \overline{OE} is the output control and should be used to gate data to the output pins if the device is selected. Fast Page mode accesses are obtained by keeping A₂₀ to A₂ constant and changing A₁ and A₀ to select the specific word, within that page. See Figure 5.4 for timing specifications.

Standby Mode

There are two ways to implement the standby mode on the device, one using both the \overline{CE} and \overline{RESET} pins; the other via the \overline{RESET} pin only.

When using both pins, a CMOS standby mode is achieved with \overline{CE} and \overline{RESET} inputs both held at $V_{CC} \pm 0.3$ V. Under this condition, the current consumed is less than 5 μ A Max. During Embedded Algorithm operation, V_{CC} active current (I_{CC2}) is required even $\overline{CE} = "H"$. The device can be read with standard access time (t_{CE}) from either of these standby modes.

When using the \overline{RESET} pin only, a CMOS standby mode is achieved with \overline{RESET} input held at $V_{SS} \pm 0.3$ V ($\overline{CE} = "H"$ or $"L"$). Under this condition the current consumed is less than 5 μ A Max. Once the \overline{RESET} pin is taken high, the device requires t_{RH} as wake up time for outputs to be valid for read access.

In the standby mode, the outputs are in the high impedance state, independently of the \overline{OE} input.

Automatic Sleep Mode

There is a function called automatic sleep mode to restrain power consumption during read-out of the device data. This mode can be useful in the application such as a handy terminal which requires low power consumption.

To activate this mode, the device automatically switches themselves to low power mode when the device addresses remain stable during access time of 150 ns. It is not necessary to control \overline{CE} , \overline{WE} , and \overline{OE} on the mode. Under the mode, the current consumed is typically 50 μ A (CMOS Level).

During simultaneous operation, V_{CC} active current (I_{CC2}) is required.

Since the data are latched during this mode, the data are read-out continuously. If the addresses are changed, the mode is canceled automatically, and the device reads the data for changed addresses.

Output Disable

With the \overline{OE} input at a logic high level (V_{IH}), output from the device is disabled. This will cause the output pins to be in a high impedance state.

Autoselect

The autoselect mode allows the reading out of a binary code from the device and will identify its manufacturer and type. This mode is intended for use by programming equipment for the purpose of automatically matching the device to be programmed with its corresponding programming algorithm. This mode is functional over the entire temperature range of the device.

To activate this mode, the programming equipment must force V_{ID} (10.0 V to 11.0 V) on address pin A_9 . Two identifier bytes may then be sequenced from the device outputs by toggling address A_0 from V_{IL} to V_{IH} . All addresses are DON'T CARES except A_6 , A_3 , A_2 , A_1 , and A_0 . (See Table 3.)

The manufacturer and device codes may also be read via the command register, for instances when the device is erased or programmed in a system without access to high voltage on the A_9 pin. The command sequence is illustrated in Table 4. (Refer to Autoselect Command section.)

In the command Autoselect mode, the bank addresses BA_i (A_{20} to A_{12}) must point to a specific bank during the third write bus cycle of the Autoselect command. Then the Autoselect data will be read from that bank while array data can be read from the other bank.

A read cycle from address (BA)00h returns the manufacturer's code (Fujitsu = 04h). And a read cycle from address (BA)01h, (BA)0Eh to (BA)0Fh returns the device code. (See Tables 5.1 to 5.4.)

In case of applying V_{ID} on A_9 , since both Bank 1 and Bank 2 enter Autoselect mode, the simultaneous operation can not be executed.

Write

Device erasure and programming are accomplished via the command register. The contents of the register serve as inputs to the internal state machine. The state machine outputs dictate the function of the device.

The command register itself does not occupy any addressable memory location. The register is a latch used to store the commands, along with the address and data information needed to execute the command. The command register is written by bringing \overline{WE} to V_{IL} , while \overline{CE} is at V_{IL} and \overline{OE} is at V_{IH} . Addresses are latched on the falling edge of \overline{WE} or \overline{CE} , whichever happens later; while data is latched on the rising edge of \overline{WE} or \overline{CE} , whichever happens first. Standard microprocessor write timings are used.

Refer to AC Write Characteristics and the Erase/Programming Waveforms for specific timing parameters.

Sector Group Protection

The device features hardware sector group protection. This feature will disable both program and erase operations in any combination of twenty five sector groups of memory. (See Table 7.) The sector group protection feature is enabled using programming equipment at the user's site. The device is shipped with all sector groups unprotected.

To activate this mode, the programming equipment must force V_{ID} on address pin A_9 and control pin \overline{OE} , (suggest $V_{ID} = 11.5\text{ V}$), $\overline{CE} = V_{IL}$ and $(A_6, A_3, A_2, A_1, A_0) = (0, 0, 0, 1, 0)$. The sector group addresses ($A_{20}, A_{19}, A_{18}, A_{17}, A_{16}, A_{15}, A_{14}, A_{13}$, and A_{12}) should be set to the sector to be protected. Tables 6.1 and 6.2 define the sector address for each of the seventy one (71) individual sectors, and tables 7.1 and 7.2 define the sector group address for each of the twenty five (25) individual group sectors. Programming of the protection circuitry begins on the falling edge of the \overline{WE} pulse and is terminated with the rising edge of the same. Sector group addresses must be held constant during the \overline{WE} pulse. See Figures 16 and 24 for sector group protection waveforms and algorithm.

To verify programming of the protection circuitry, the programming equipment must force V_{ID} on address pin A_9 with \overline{CE} and \overline{OE} at V_{IL} and \overline{WE} at V_{IH} . Scanning the sector group addresses ($A_{20}, A_{19}, A_{18}, A_{17}, A_{16}, A_{15}, A_{14}, A_{13}$, and A_{12}) while $(A_6, A_3, A_2, A_1, A_0) = (0, 0, 0, 1, 0)$ will produce a logical "1" code at device output DQ_0 for a protected sector. Otherwise the device will produce "0" for unprotected sector. In this mode, the lower order addresses, except for A_0, A_1, A_2, A_3 , and A_6 are DON'T CARES. Address locations with $A_1 = V_{IL}$ are reserved for Autoselect manufacturer and device codes.

It is also possible to determine if a sector group is protected in the system by writing an Autoselect command. Performing a read operation at the address location $XX02h$, where the higher order addresses ($A_{20}, A_{19}, A_{18}, A_{17}, A_{16}, A_{15}, A_{14}, A_{13}$, and A_{12}) are the desired sector group address will produce a logical "1" at DQ_0 for a protected sector group. See Tables 5.1 to 5.4 for Autoselect codes.

Temporary Sector Group Unprotection

This feature allows temporary unprotection of previously protected sector groups of the device in order to change data. The Sector Group Unprotection mode is activated by setting the \overline{RESET} pin to high voltage (V_{ID}). During this mode, formerly protected sector groups can be programmed or erased by selecting the sector group addresses. Once the V_{ID} is taken away from the \overline{RESET} pin, all the previously protected sector groups will be protected again. Refer to Figures 17 and 25.

Extended Sector Group Protection

In addition to normal sector group protection, the device has Extended Sector Group Protection as extended function. This function enables to protect sector group by forcing V_{ID} on \overline{RESET} pin and write a command sequence. Unlike conventional procedure, it is not necessary to force V_{ID} and control timing for control pins. The only \overline{RESET} pin requires V_{ID} for sector group protection in this mode. The extended sector group protection requires V_{ID} on \overline{RESET} pin. With this condition, the operation is initiated by writing the set-up command (60h) into the command register. Then, the sector group addresses pins ($A_{20}, A_{19}, A_{18}, A_{17}, A_{16}, A_{15}, A_{14}, A_{13}$ and A_{12}) and $(A_6, A_3, A_2, A_1, A_0) = (0, 0, 0, 1, 0)$ should be set to the sector group to be protected (recommend to set V_{IL} for the other addresses pins), and write extended sector group protection command (60h). A sector group is

typically protected in 250 μ s. To verify programming of the protection circuitry, the sector group addresses pins (A_{20} , A_{19} , A_{18} , A_{17} , A_{16} , A_{15} , A_{14} , A_{13} and A_{12}) and (A_6 , A_3 , A_2 , A_1 , A_0) = (0, 0, 0, 1, 0) should be set and write a command (40h). Following the command write, a logical “1” at device output DQ_0 will produce for protected sector in the read operation. If the output is logical “0”, please repeat to write extended sector group protection command (60h) again. To terminate the operation, it is necessary to set $\overline{\text{RESET}}$ pin to V_{IH} . (Refer to the Figures 18 and 26.)

$\overline{\text{RESET}}$

Hardware Reset

The device may be reset by driving the $\overline{\text{RESET}}$ pin to V_{IL} . The $\overline{\text{RESET}}$ pin vs. a pulse requirement and has to be kept low (V_{IL}) for at least “ t_{RP} ” in order to properly reset the internal state machine. Any operation in the process of being executed will be terminated and the internal state machine will be reset to the read mode “ t_{READY} ” after the $\overline{\text{RESET}}$ pin is driven low. Furthermore, once the $\overline{\text{RESET}}$ pin goes high, the device requires an additional “ t_{RH} ” before it will allow read access. When the $\overline{\text{RESET}}$ pin is low, the device will be in the standby mode for the duration of the pulse and all the data output pins will be tri-stated. If a hardware reset occurs during a program or erase operation, the data at that particular location will be corrupted. Please note that the $\overline{\text{RY}}/\overline{\text{BY}}$ output signal should be ignored during the $\overline{\text{RESET}}$ pulse. See Figure 14 for the timing diagram. Refer to Temporary Sector Group Unprotection for additional functionality.

Boot Block Sector Protection

The Write Protection function provides a hardware method of protecting certain boot sectors without using V_{ID} . This function is one of two provided by the $\overline{\text{WP}}/\text{ACC}$ pin.

If the system asserts V_{IL} on the $\overline{\text{WP}}/\text{ACC}$ pin, the device disables program and erase functions in the two “outermost” 4K word boot sectors independently of whether those sectors are protected or unprotected using the method described in “Sector Protection/Unprotection”. The two outermost 4K word boot sectors are the two sectors containing the lowest addresses in a bottom-boot-configured device, or the two sectors containing the highest addresses in a top-boot-configured device.

(MBM29PDS322TE: SA69 and SA70, MBM29PDS322BE: SA0 and SA1)

If the system asserts V_{IH} on the $\overline{\text{WP}}/\text{ACC}$ pin, the device reverts to whether the two outermost 4K word boot sectors were last set to be protected or unprotected. That is, sector protection or unprotection for these two sectors depends on whether they were last protected or unprotected using the method described in “Sector protection/unprotection”.

Accelerated Program Operation

The device offers accelerated program operation which enables the programming in high speed. If the system asserts V_{ACC} to the $\overline{\text{WP}}/\text{ACC}$ pin, the device automatically enters the acceleration mode and the time required for program operation will reduce to about 60%. This function is primarily intended to allow high speed program, so caution is needed as the sector group will temporarily be unprotected.

The system would use a fast program command sequence when programming during acceleration mode. Set command to fast mode and reset command from fast mode are not necessary. When the device enters the acceleration mode, the device automatically set to fast mode. Therefore, the present sequence could be used for programming and detection of completion during acceleration mode.

Removing V_{ACC} from the $\overline{\text{WP}}/\text{ACC}$ pin returns the device to normal operation. Do not remove V_{ACC} from $\overline{\text{WP}}/\text{ACC}$ pin while programming. See Figure 19.

■ COMMAND DEFINITIONS

The device operations are selected by writing specific address and data sequences into the command register. Some commands require Bank Address (BA) input. When command sequences are inputted to bank being read, the commands have priority over reading. Table 4 defines the valid register command sequences. Note that the Erase Suspend (B0h) and Erase Resume (30h) commands are valid only while the Sector Erase operation is in progress. Moreover, both Read/Reset commands are functionally equivalent, resetting the device to the read mode. Please note that commands are always written at DQ₇ to DQ₀ and DQ₁₅ to DQ₈ bits are ignored.

Read/Reset Command

In order to return from Autoselect mode or Exceeded Timing Limits (DQ₅ = 1) to Read/Reset mode, the Read/Reset operation is initiated by writing the Read/Reset command sequence into the command register. Microprocessor read cycles retrieve array data from the memory. The device remains enabled for reads until the command register contents are altered.

The device will automatically power-up in the Read/Reset state. In this case, a command sequence is not required to read data. Standard microprocessor read cycles will retrieve array data. This default value ensures that no spurious alteration of the memory content occurs during the power transition. Refer to the AC Read Characteristics and Waveforms for the specific timing parameters.

Autoselect Command

Flash memories are intended for use in applications where the local CPU alters memory contents. As such, manufacture and device codes must be accessible while the device resides in the target system. PROM programmers typically access the signature codes by raising A₉ to a high voltage. However, multiplexing high voltage onto the address lines is not generally desired system design practice.

The device contains an Autoselect command operation to supplement traditional PROM programming methodology. The operation is initiated by writing the Autoselect command sequence into the command register.

The Autoselect command sequence is initiated by firstly writing two unlock cycles. This is followed by a third write cycle that contains the bank address (BA) and the Autoselect command. Then the manufacture and device codes can be read from the bank, and actual data of memory cell can be read from the another bank.

Following the command write, a read cycle from address (BA)00h retrieves the manufacture code of 04h. A read cycle at address (BA)01h returns 7Eh to indicate that this device uses extended device code. The successive read cycle from (BA)0Eh to (BA)0Fh returns this extended device code for this device. (See Tables 5.1 to 5.4.)

The sector state (protection or unprotection) will be informed by address (BA)02h. Scanning the sector group addresses (A₂₀, A₁₉, A₁₈, A₁₇, A₁₆, A₁₅, A₁₄, A₁₃, and A₁₂) while (A₆, A₃, A₂, A₁, A₀) = (0, 0, 0, 1, 0) will produce a logical "1" at device output DQ₀ for a protected sector group. The programming verification should be performed by verify sector group protection on the protected sector. (See Table 3.)

The manufacture and device codes can be allowed to read from selected bank. To read the manufacture and device codes and sector protection status from non-selected bank, it is necessary to write Read/Reset command sequence into the register and then Autoselect command should be written into the bank to be read.

If the software (program code) for Autoselect command is stored into the Flash memory, the device and manufacture codes should be read from the other bank which doesn't contain the software.

To terminate the operation, it is necessary to write the Read/Reset command sequence into the register. To execute the Autoselect command during the operation, writing Read/Reset command sequence must precede the Autoselect command.

Word Programming

The device is programmed on a word-by-word basis. Programming is a four bus cycle operation. There are two “unlock” write cycles. These are followed by the program set-up command and data write cycles. Addresses are latched on the falling edge of \overline{CE} or \overline{WE} , whichever happens later and the data is latched on the rising edge of \overline{CE} or \overline{WE} , whichever happens first. The rising edge of \overline{CE} or \overline{WE} (whichever happens first) begins programming. Upon executing the Embedded Program Algorithm command sequence, the system is not required to provide further controls or timings. The device will automatically provide adequate internally generated program pulses and verify the programmed cell margin.

The system can determine the status of the program operation by using DQ_7 ($\overline{\text{Data Polling}}$), DQ_6 (Toggle Bit), or RY/\overline{BY} . The $\overline{\text{Data Polling}}$ and Toggle Bit must be performed at the memory location which is being programmed.

The automatic programming operation is completed when the data on DQ_7 is equivalent to data written to this bit at which time the device returns to the read mode and addresses are no longer latched. (See Table 9, Hardware Sequence Flags.) Therefore, the device requires that a valid address to the device be supplied by the system at this particular instance of time. Hence, $\overline{\text{Data Polling}}$ must be performed at the memory location which is being programmed.

If hardware reset occurs during the programming operation, it is impossible to guarantee the data are being written.

Programming is allowed in any sequence and across sector boundaries. Beware that a data “0” cannot be programmed back to a “1”. Attempting to do so may either hang up the device or result in an apparent success according to the data polling algorithm but a read from Read/Reset mode will show that the data is still “0”. Only erase operations can convert “0”s to “1”s.

Figure 20 illustrates the Embedded Program™ Algorithm using typical command strings and bus operations.

Chip Erase

Chip erase is a six bus cycle operation. There are two “unlock” write cycles. These are followed by writing the “set-up” command. Two more “unlock” write cycles are then followed by the chip erase command.

Chip erase does not require the user to program the device prior to erase. Upon executing the Embedded Erase Algorithm command sequence the device will automatically program and verify the entire memory for an all zero data pattern prior to electrical erase (Preprogram function). The system is not required to provide any controls or timings during these operations.

The system can determine the status of the erase operation by using DQ_7 ($\overline{\text{Data Polling}}$), DQ_6 (Toggle Bit), or RY/\overline{BY} . The chip erase begins on the rising edge of the last \overline{CE} or \overline{WE} , whichever happens first in the command sequence and terminates when the data on DQ_7 is “1” (See Write Operation Status section.) at which time the device returns to read the mode.

Chip Erase Time; Sector Erase Time × All sectors + Chip Program Time (Preprogramming)

Figure 21 illustrates the Embedded Erase™ Algorithm using typical command strings and bus operations.

Sector Erase

Sector erase is a six bus cycle operation. There are two “unlock” write cycles. These are followed by writing the “set-up” command. Two more “unlock” write cycles are then followed by the Sector Erase command. The sector address (any address location within the desired sector) is latched on the falling edge of \overline{CE} or \overline{WE} whichever happens later, while the command (Data = 30h) is latched on the rising edge of \overline{CE} or \overline{WE} which happens first. After time-out of “ t_{TOW} ” from the rising edge of the last sector erase command, the sector erase operation will begin.

Multiple sectors may be erased concurrently by writing the six bus cycle operations on Table4. This sequence is followed with writes of the Sector Erase command to addresses in other sectors desired to be concurrently erased. The time between writes must be less than “ t_{TOW} ” otherwise that command will not be accepted and erasure will not start. It is recommended that processor interrupts be disabled during this time to guarantee this condition. The interrupts can be re-enabled after the last Sector Erase command is written. A time-out of “ t_{TOW} ” from the rising edge of last \overline{CE} or \overline{WE} whichever happens first will initiate the execution of the Sector Erase command(s). If another falling edge of \overline{CE} or \overline{WE} , whichever happens first occurs within the “ t_{TOW} ” time-out window the timer is reset. (Monitor DQ_3 to determine if the sector erase timer window is still open, see section DQ_3 , Sector Erase Timer.) Resetting the device once execution has begun will corrupt the data in the sector. In that case, restart the erase on those sectors and allow them to complete. (Refer to the Write Operation Status section for Sector Erase Timer operation.) Loading the sector erase buffer may be done in any sequence and with any number of sectors (0 to 70).

Sector erase does not require the user to program the device prior to erase. The device automatically program all memory locations in the sector(s) to be erased prior to electrical erase (Preprogram function). When erasing a sector or sectors the remaining unselected sectors are not affected. The system is not required to provide any controls or timings during these operations.

The system can determine the status of the erase operation by using DQ_7 (\overline{Data} Polling), DQ_6 (Toggle Bit), or RY/\overline{BY} .

The sector erase begins after the “ t_{TOW} ” time out from the rising edge of \overline{CE} or \overline{WE} whichever happens first for the last sector erase command pulse and terminates when the data on DQ_7 is “1” (See Write Operation Status section.) at which time the device returns to the read mode. \overline{Data} polling and Toggle Bit must be performed at an address within any of the sectors being erased.

Multiple Sector Erase Time; [Sector Erase Time + Sector Program Time (Preprogramming)] × Number of Sector Erase

In case of multiple sector erase across bank boundaries, a read from bank (read-while-erase) can not perform.

Figure 21 illustrates the Embedded Erase™ Algorithm using typical command strings and bus operations.

Erase Suspend/Resume

The Erase Suspend command allows the user to interrupt a Sector Erase operation and then perform data reads from or programs to a sector not being erased. This command is applicable ONLY during the Sector Erase operation which includes the time-out period for sector erase. Writing the Erase Suspend command (B0h) during the Sector Erase time-out results in immediate termination of the time-out period and suspension of the erase operation.

Writing the Erase Resume command (30h) resumes the erase operation. The bank addresses of sector being erased or erase-suspended should be set when writing the Erase Suspend or Erase Resume command.

When the Erase Suspend command is written during the Sector Erase operation, the device will take a maximum of “ t_{SPD} ” to suspend the erase operation. When the device has entered the erase-suspended mode, the RY/ \overline{BY} output pin will be at Hi-Z and the DQ₇ bit will be at logic “1”, and DQ₆ will stop toggling. The user must use the address of the erasing sector for reading DQ₆ and DQ₇ to determine if the erase operation has been suspended. Further writes of the Erase Suspend command are ignored.

When the erase operation has been suspended, the device defaults to the erase-suspend-read mode. Reading data in this mode is the same as reading from the standard read mode except that the data must be read from sectors that have not been erase-suspended. Successively reading from the erase-suspended sector while the device is in the erase-suspend-read mode will cause DQ₂ to toggle. (See the section on DQ₂.)

After entering the erase-suspend-read mode, the user can program the device by writing the appropriate command sequence for Program. This program mode is known as the erase-suspend-program mode. Again, programming in this mode is the same as programming in the regular Program mode except that the data must be programmed to sectors that are not erase-suspended. Successively reading from the erase-suspended sector while the device is in the erase-suspend-program mode will cause DQ₂ to toggle. The end of the erase-suspended Program operation is detected by the RY/ \overline{BY} output pin, \overline{Data} polling of DQ₇ or by the Toggle Bit I (DQ₆) which is the same as the regular Program operation. Note that DQ₇ must be read from the Program address while DQ₆ can be read from any address within bank being erase-suspended.

To resume the operation of Sector Erase, the Resume command (30h) should be written to the bank being erase suspended. Any further writes of the Resume command at this point will be ignored. Another Erase Suspend command can be written after the chip has resumed erasing.

Extended Command

(1) Fast Mode

The device has Fast Mode function. This mode dispenses with the initial two unlock cycles required in the standard program command sequence by writing Fast Mode command into the command register. In this mode, the required bus cycle for programming is two cycles instead of four bus cycles in standard program command. (Do not write erase command in this mode.) The read operation is also executed after exiting this mode. To exit this mode, it is necessary to write Fast Mode Reset command into the command register. The first cycle must contain the bank address. (Refer to the Figure 27.) The V_{CC} active current is required even $\overline{CE} = V_{IH}$ during Fast Mode.

(2) Fast Programming

During Fast Mode, the programming can be executed with two bus cycles operation. The Embedded Program Algorithm is executed by writing program set-up command (A0h) and data write cycles (PA/PD). (Refer to the Figure 27.)

Hidden ROM (Hi-ROM) Region

The Hi-ROM feature provides a Flash memory region that the system may access through a new command sequence. This is primarily intended for customers who wish to use an Electronic Serial Number (ESN) in the device with the ESN protected against modification. Once the Hi-ROM region is protected, any further modification of that region is impossible. This ensures the security of the ESN once the product is shipped to the field.

The Hi-ROM region is 32 Kwords in length and is stored at the same address as the 4 KW ×8 sectors. The MBM29PDS322TE occupies the address of the word mode 1F8000h to 1FFFFFFh and the MBM29PDS322BE type occupies the address of the word mode 000000h to 007FFFh. After the system has written the Enter Hi-ROM command sequence, the system may read the Hi-ROM region by using the addresses normally occupied by the boot sectors. That is, the device sends all commands that would normally be sent to the boot sectors to the Hi-ROM region. This mode of operation continues until the system issues the Exit Hi-ROM command sequence, or until power is removed from the device. On power-up, or following a hardware reset, the device reverts to sending commands to the boot sectors.

When reading the Hi-ROM region, either change addresses or change \overline{CE} pin from “H” to “L”. The same procedure should be taken (changing addresses or \overline{CE} pin from “H” to “L”) after the system issues the Exit Hi-ROM command sequence to read actual data of memory cell.

Hidden ROM (Hi-ROM) Entry Command

The device has a Hidden ROM area with One Time Protect function. This area is to enter the security code and to unable the change of the code once set. Program/erase is possible in this area until it is protected. However, once it is protected, it is impossible to unprotect, so please use this with caution.

Hidden ROM area is 32 K words and in the same address area as 4 KW sector. The address of top boot is 1F8000h to 1FFFFFFh at word mode and the bottom boot is 000000h to 007FFFh at word mode. These areas are normally the boot block area (4 KW ×8 sector). Therefore, write the Hidden ROM entry command sequence to enter the Hidden ROM area. It is called Hidden ROM mode when the Hidden ROM area appears.

Sector other than the boot block area could be read during Hidden ROM mode. Read/program/erase of the Hidden ROM area is possible during Hidden ROM mode. Write the Hidden ROM reset command sequence to exit the Hidden ROM mode. The bank address of the Hidden ROM should be set on the third cycle of this reset command sequence.

Hidden ROM (Hi-ROM) Program Command

To program the data to the Hidden ROM area, write the Hidden ROM program command sequence during Hidden ROM mode. This command is the same as the program command in usual except to write the command during Hidden ROM mode. Therefore the detection of completion method is the same as in the past, using the DQ₇ data poling, DQ₆ toggle bit and RY/ \overline{BY} pin. It is necessary to pay attention to the address to be programmed. If the address other than the Hidden ROM area is selected to program, data of the address will be changed.

Hidden ROM (Hi-ROM) Erase Command

To erase the Hidden ROM area, write the Hidden ROM erase command sequence during Hidden ROM mode. This command is same as the sector erase command in the past except to write the command during Hidden ROM mode. Therefore the detection of completion method is the same as in the past, using the DQ₇ data poling, DQ₆ toggle bit and RY/ \overline{BY} pin. It is necessary to pay attention to the sector address to be erased. If the sector address other than the Hidden ROM area is selected, the data of the sector will be changed.

Hidden ROM (Hi-ROM) Protect Command

There are two methods to protect the Hidden ROM area. One is to write the sector group protect setup command(60h), set the sector address in the Hidden ROM area and $(A_6, A_3, A_2, A_1, A_0) = (0, 0, 0, 1, 0)$, and write the sector group protect command(60h) during the Hidden ROM mode. The same command sequence could be used because, it is the same as the extension sector group protect in the past except that it is in the Hidden ROM mode and it does not apply high voltage to $\overline{\text{RESET}}$ pin. Please refer to "Function Explanation Extended Sector Group Protection" for details of extension sector group protect setting.

The other is to apply high voltage (V_{ID}) to A_9 and $\overline{\text{OE}}$, set the sector address in the Hidden ROM area and $(A_6, A_3, A_2, A_1, A_0) = (0, 0, 0, 1, 0)$, and apply the write pulse during the Hidden ROM mode. To verify the protect circuit, apply high voltage (V_{ID}) to A_9 , specify $(A_6, A_3, A_2, A_1, A_0) = (0, 0, 0, 1, 0)$ and the sector address in the Hidden ROM area, and read. When "1" appears on DQ_0 , the protect setting is completed. "0" will appear on DQ_0 if it is not protected. Please apply write pulse again. The same command sequence could be used for the above method because other than the Hidden ROM mode, it is the same as the sector group protect previously mentioned. Please refer to "Function Explanation Sector Group Protection" for details of the sector group protect setting.

Other sector group will be effected if the address other than those for Hidden ROM area is selected for the sector group address, so please be careful. Once it is protected, protection can not be cancelled, so please pay the closest attention.

Write Operation Status

Detailed in Table 9 are all the status flags that can determine the status of the bank for the current mode operation. The read operation from the bank which doesn't operate Embedded Algorithm returns data of memory cells. These bits offer a method for determining whether a Embedded Algorithm is completed properly. The information on DQ_2 is address sensitive. This means that if an address from an erasing sector is consecutively read, then the DQ_2 bit will toggle. However, DQ_2 will not toggle if an address from a non-erasing sector is consecutively read. This allows users to determine which sectors are in erase and which are not.

The status flag is not output from bank (non-busy bank) which doesn't execute Embedded Algorithm. For example, there is bank (busy bank) which is now executing Embedded Algorithm. When the read sequence is [1] <busy bank>, [2] <non-busy bank>, [3] <busy bank>, the DQ_6 is toggling in the case of [1] and [3]. In case of [2], the data of memory cells are outputted. In the erase-suspend read mode with the same read sequence, DQ_6 will not be toggled in the [1] and [3].

In the erase suspend read mode, DQ_2 is toggled in the [1] and [3]. In case of [2], the data of memory cell is outputted.

Table 9 Hardware Sequence Flags

Status		DQ ₇	DQ ₆	DQ ₅	DQ ₃	DQ ₂	
In Progress	Embedded Program Algorithm	\overline{DQ}_7	Toggle	0	0	1	
	Embedded Erase Algorithm	0	Toggle	0	1	Toggle *	
	Erase Suspend- ed Mode	Erase Suspend Read (Erase Suspended Sector)	1	1	0	0	Toggle
		Erase Suspend Read (Non-Erase Suspended Sector)	Data	Data	Data	Data	Data
	Erase Suspend Program (Non-Erase Suspended Sector)	\overline{DQ}_7	Toggle	0	0	1 *	
Exceeded Time Limits	Embedded Program Algorithm	\overline{DQ}_7	Toggle	1	0	1	
	Embedded Erase Algorithm	0	Toggle	1	1	N/A	
	Erase Suspend- ed Mode	Erase Suspend Program (Non-Erase Suspended Sector)	\overline{DQ}_7	Toggle	1	0	N/A

*: Successive reads from the erasing or erase-suspend sector will cause DQ₂ to toggle. Reading from non-erase suspend sector address will indicate logic "1" at the DQ₂ bit.

Note 1.DQ₀ and DQ₁ are reserve pins for future use.
2.DQ₄ is Fujitsu internal use.

DQ₇

Data Polling

The device features $\overline{\text{Data}}$ Polling as a method to indicate to the host that the Embedded Algorithms are in progress or completed. During the Embedded Program Algorithm an attempt to read device will produce a complement of data last written to DQ₇. Upon completion of the Embedded Program Algorithm, an attempt to read device will produce true data last written to DQ₇. During the Embedded Erase Algorithm, an attempt to read device will produce a “0” at the DQ₇ output. Upon completion of the Embedded Erase Algorithm an attempt to read device will produce a “1” on DQ₇. The flowchart for $\overline{\text{Data}}$ Polling (DQ₇) is shown in Figure 23.

For programming, the $\overline{\text{Data}}$ Polling is valid after the rising edge of the fourth write pulse in the four write pulse sequence.

For chip erase and sector erase, the $\overline{\text{Data}}$ Polling is valid after the rising edge of the sixth write pulse in the six write pulse sequence. $\overline{\text{Data}}$ Polling must be performed at sector address of sectors being erased, not protected sectors. Otherwise, the status may be invalid.

If a program address falls within a protected sector, $\overline{\text{Data}}$ Polling on DQ₇ is active for approximately 1 μs , then that bank returns to the read mode. After an erase command sequence is written, if all sectors selected for erasing are protected, $\overline{\text{Data}}$ Polling on DQ₇ is active for approximately 400 μs , then the bank returns to read mode.

Once the Embedded Algorithm operation is close to completion, the device data pins (DQ₇) may change asynchronously while the output enable ($\overline{\text{OE}}$) is asserted low. This means that device is driving status information on DQ₇ at one instant of time and then that byte's valid data at the next instant of time. Depending on when the system samples the DQ₇ output, it may read the status or valid data. Even if device has completed the Embedded Algorithm operation and DQ₇ has a valid data, data outputs on DQ₀ to DQ₆ may be still invalid. The valid data on DQ₀ to DQ₇ will be read on the successive read attempts.

The $\overline{\text{Data}}$ Polling feature is active only during the Embedded Programming Algorithm, Embedded Erase Algorithm or sector erase time-out. (See Table 9.)

See Figure 10 for the $\overline{\text{Data}}$ Polling timing specifications and diagrams.

DQ₆

Toggle Bit I

The device also features the “Toggle Bit I” as a method to indicate to the host system that the Embedded Algorithms are in progress or completed.

During Embedded Program or Erase Algorithm cycle, successive attempts to read ($\overline{\text{OE}}$ toggling) data from the device will result in DQ₆ toggling between one and zero. Once the Embedded Program or Erase Algorithm cycle is completed, DQ₆ will stop toggling and valid data will be read on the next successive attempts. During programming, the Toggle Bit I is valid after the rising edge of the fourth write pulse in the four write pulse sequence. For chip erase and sector erase, the Toggle Bit I is valid after the rising edge of the sixth write pulse in the six write pulse sequence. The Toggle Bit I is active during the sector time out.

In programming, if the sector being written is protected, the toggle bit will toggle for about 1 μs and then stop toggling with data unchanged. In erase, device will erase all selected sectors except for ones that are protected. If all selected sectors are protected, the chip will toggle the toggle bit for about 400 μs and then drop back into read mode, having data unchanged.

Either $\overline{\text{CE}}$ or $\overline{\text{OE}}$ toggling will cause DQ₆ to toggle. In addition, an Erase Suspend/Resume command will cause DQ₆ to toggle.

The system can use DQ₆ to determine whether a sector is actively erased or is erase-suspended. When a bank is actively erased (that is, the Embedded Erase Algorithm is in progress), DQ₆ toggles. When a bank enters the Erase Suspend mode, DQ₆ stops toggling. Successive read cycles during erase-suspend-program cause DQ₆ to toggle.

To operate toggle bit function properly, $\overline{\text{CE}}$ or $\overline{\text{OE}}$ must be high when bank address is changed.

See Figure 11 for the Toggle Bit I timing specifications and diagrams.

DQ₅

Exceeded Timing Limits

DQ₅ will indicate if the program or erase time has exceeded the specified limits (internal pulse count). Under these conditions DQ₅ will produce a “1”. This is a failure condition which indicates that the program or erase cycle was not successfully completed. $\overline{\text{Data}}$ Polling is the only operating function of device under this condition. The $\overline{\text{CE}}$ circuit will partially power down device under these conditions (to approximately 2 mA). The $\overline{\text{OE}}$ and $\overline{\text{WE}}$ pins will control the output disable functions as described in Table 8.

The DQ₅ failure condition may also appear if a user tries to program a non blank location without pre-erase. In this case the device locks out and never complete the Embedded Algorithm operation. Hence, the system never read valid data on DQ₇ bit and DQ₆ never stop toggling. Once device has exceeded timing limits, the DQ₅ bit will indicate a “1.” Please note that this is not a device failure condition since device was incorrectly used. If this occurs, reset device with command sequence.

DQ₃

Sector Erase Timer

After completion of the initial sector erase command sequence sector erase time-out will begin. DQ₃ will remain low until the time-out is completed. $\overline{\text{Data}}$ Polling and Toggle Bit are valid after the initial sector erase command sequence.

If $\overline{\text{Data}}$ Polling or the Toggle Bit I indicates device has been written with a valid erase command, DQ₃ may be used to determine if the sector erase timer window is still open. If DQ₃ is high (“1”) the internally controlled erase cycle has begun. If DQ₃ is low (“0”), the device will accept additional sector erase commands. To insure the command has been accepted, the system software should check the status of DQ₃ prior to and following each subsequent Sector Erase command. If DQ₃ were high on the second status check, the command may not have been accepted.

See Table 9: Hardware Sequence Flags.

DQ₂

Toggle Bit II

This toggle bit II, along with DQ₆, can be used to determine whether the device is in the Embedded Erase Algorithm or in Erase Suspend.

Successive reads from the erasing sector will cause DQ₂ to toggle during the Embedded Erase Algorithm. If the device is in the erase-suspended-read mode, successive reads from the erase-suspended sector will cause DQ₂ to toggle. When the device is in the erase-suspended-program mode, successive reads from the byte address of the non-erase suspended sector will indicate a logic “1” at the DQ₂ bit.

DQ₆ is different from DQ₂ in that DQ₆ toggles only when the standard program or Erase, or Erase Suspend Program operation is in progress. The behavior of these two status bits, along with that of DQ₇, is summarized as follows:

For example, DQ₂ and DQ₆ can be used together to determine if the erase-suspend-read mode is in progress. (DQ₂ toggles while DQ₆ does not.) See also and.

Furthermore, DQ₂ can also be used to determine which sector is being erased. When device is in the erase mode, DQ₂ toggles if this bit is read from an erasing sector.

To operate toggle bit function properly, $\overline{\text{CE}}$ or $\overline{\text{OE}}$ must be high when bank address is changed.

Reading Toggle Bits DQ₆/DQ₂

Whenever the system initially begins reading toggle bit status, it must read DQ₇ to DQ₀ at least twice in a row to determine whether a toggle bit is toggling. Typically, a system would note and store the value of the toggle bit after the first read. After the second read, the system would compare the new value of the toggle bit with the first. If the toggle bit is not toggling, the device has completed the program or erase operation. The system can read array data on DQ₇ to DQ₀ on the following read cycle.

However, if after the initial two read cycles, the system determines that the toggle bit is still toggling, the system also should note whether the value of DQ₅ is high (see the section on DQ₅). If it is the system should then determine again whether the toggle bit is toggling, since the toggle bit may have stopped toggling just as DQ₅ went high. If the toggle bit is no longer toggling, the device has successfully completed the program or erase operation. If it is still toggling, the device did not complete the operation successfully, and the system must write the reset command to return to reading array data.

The remaining scenario is that the system initially determines that the toggle bit is toggling and DQ₅ has not gone high. The system may continue to monitor the toggle bit and DQ₅ through successive read cycles, determining the status as described in the previous paragraph. Alternatively, it may choose to perform other system tasks. In this case, the system must start at the beginning of the algorithm when it returns to determine the status of the operation. (Refer to Figure 23.)

Table 10 Toggle Bit Status

Mode	DQ ₇	DQ ₆	DQ ₂
Program	$\overline{DQ_7}$	Toggle	1
Erase	0	Toggle	Toggle (Note)
Erase-Suspend Read (Erase-Suspended Sector)	1	1	Toggle
Erase-Suspend Program	$\overline{DQ_7}$	Toggle	1 (Note)

Note Successive reads from the erasing or erase-suspend sector will cause DQ₂ to toggle. Reading from non-erase suspend sector address will indicate logic “1” at the DQ₂ bit.

$\overline{RY/BY}$

Ready/Busy

The device provides a $\overline{RY/BY}$ open-drain output pin as a way to indicate to the host system that Embedded Algorithms are either in progress or has been completed. If output is low, device is busy with either a program or erase operation. If output is high, device is ready to accept any read/write or erase operation. If the device is placed in an Erase Suspend mode, $\overline{RY/BY}$ output will be high.

During programming, $\overline{RY/BY}$ pin is driven low after the rising edge of the fourth write pulse. During an erase operation, $\overline{RY/BY}$ pin is driven low after the rising edge of the sixth write pulse. $\overline{RY/BY}$ pin will indicate a busy condition during \overline{RESET} pulse. Refer to Figures 13 and 14 for a detailed timing diagram. $\overline{RY/BY}$ pin is pulled high in standby mode.

Since this is an open-drain output, $\overline{RY/BY}$ pins can be tied together in parallel with a pull-up resistor to V_{CC}.

Data Protection

The device is designed to offer protection against accidental erasure or programming caused by spurious system level signals that may exist during power transitions. During power up device automatically resets internal state machine in Read mode. Also, with its control register architecture, alteration of memory contents only occurs after successful completion of specific multi-bus cycle command sequences.

The device also incorporates several features to prevent inadvertent write cycles resulting from V_{CC} power-up and power-down transitions or system noise.

Power On/Off Timing

The RESET pin must be held low during V_{CC} ramp up to insure that device power up correctly. (Refer to Figure 5.3.)

Write Pulse “Glitch” Protection

Noise pulses of less than 3 ns (typical) on \overline{OE} , \overline{CE} or \overline{WE} will not initiate a write cycle.

Logical Inhibit

Writing is inhibited by holding any one of $\overline{OE} = V_{IL}$, $\overline{CE} = V_{IH}$, or $\overline{WE} = V_{IH}$. To initiate a write cycle \overline{CE} and \overline{WE} must be a logical zero while \overline{OE} is a logical one.

Power-Up Write Inhibit

Power-up of the device with $\overline{WE} = \overline{CE} = V_{IL}$ and $\overline{OE} = V_{IH}$ will not accept commands on the rising edge of \overline{WE} . The internal state machine is automatically reset to the read mode on power-up.

■ ABSOLUTE MAXIMUM RATINGS

Parameter	Symbol	Rating		Unit
		Min.	Max.	
Storage Temperature	T _{stg}	-55	+125	°C
Ambient Temperature with Power Applied	T _A	-40	+85	°C
Voltage with Respect to Ground All pins except A ₉ , \overline{OE} , and \overline{RESET} (Note 1)	V _{IN} , V _{OUT}	-0.5	V _{CC} +0.5	V
Power Supply Voltage (Note 1)	V _{CC}	-0.5	+3.0	V
A ₉ , \overline{OE} , and \overline{RESET} (Note 2)	V _{IN}	-0.5	+11.5	V
\overline{WP}/ACC (Note 3)	V _{ACC}	-0.5	+10.5	V

- Notes: 1. Minimum DC voltage on input or I/O pins is -0.5 V. During voltage transitions, input or I/O pins may undershoot V_{SS} to -2.0 V for periods of up to 20 ns. Maximum DC voltage on input or I/O pins is V_{CC} +0.5 V. During voltage transitions, input or I/O pins may overshoot to V_{CC} +2.0 V for periods of up to 20 ns.
2. Minimum DC input voltage on A₉, \overline{OE} and \overline{RESET} pins is -0.5 V. During voltage transitions, A₉, \overline{OE} and \overline{RESET} pins may undershoot V_{SS} to -2.0 V for periods of up to 20 ns. Voltage difference between input and supply voltage (V_{IN}-V_{CC}) does not exceed +9.0V. Maximum DC input voltage on A₉, \overline{OE} and \overline{RESET} pins is +11.5 V which may positive overshoot to +12.5 V for periods of up to 20 ns.
3. Minimum DC input voltage on \overline{WP}/ACC pin is -0.5 V. During voltage transitions, \overline{WP}/ACC pin may undershoot V_{SS} to -2.0 V for periods of up to 20 ns. Maximum DC input voltage on \overline{WP}/ACC pin is +10.5 V which may positive overshoot to +12.0 V for periods of up to 20ns when V_{CC} is applied.

WARNING: Semiconductor devices can be permanently damaged by application of stress (voltage, current, temperature, etc.) in excess of absolute maximum ratings. Do not exceed these ratings.

■ RECOMMENDED OPERATING RANGES

Parameter	Symbol	Part No.	Value		Unit
			Min.	Max.	
Ambient Temperature	T _A	MBM29PDS322TE/BE 10/11	-40	+85	°C
Power Supply Voltage	V _{CC}	MBM29PDS322TE/BE 10/11	+1.8	+2.2	V

Operating ranges define those limits between which the functionality of the device is guaranteed.

WARNING: The recommended operating conditions are required in order to ensure the normal operation of the semiconductor device. All of the device's electrical characteristics are warranted when the device is operated within these ranges.

Always use semiconductor devices within their recommended operating condition ranges. Operation outside these ranges may adversely affect reliability and could result in device failure.

No warranty is made with respect to uses, operating conditions, or combinations not represented on the data sheet. Users considering application outside the listed conditions are advised to contact their FUJITSU representatives beforehand.

■ MAXIMUM OVERSHOOT / UNDERSHOOT

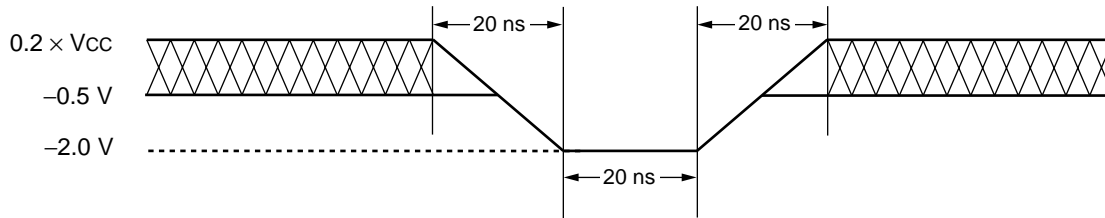


Figure 1 Maximum Undershoot Waveform

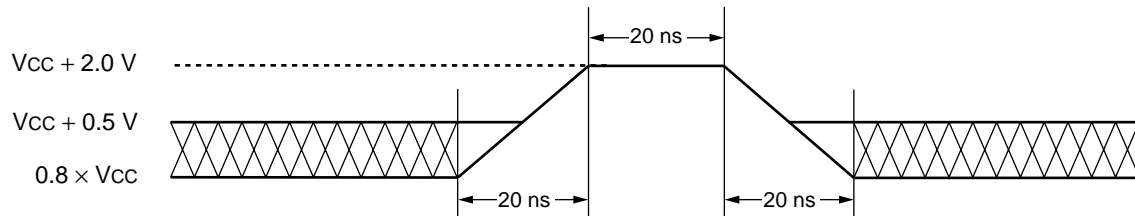
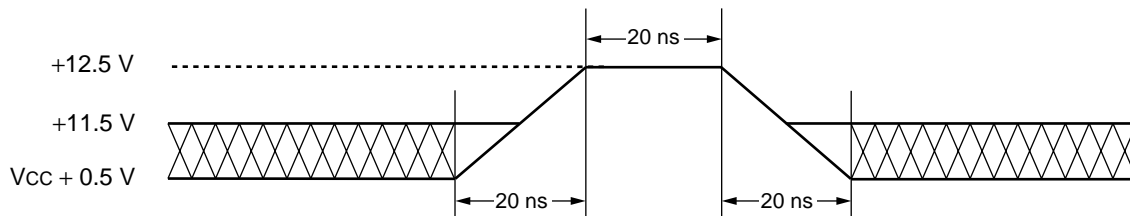


Figure 2 Maximum Overshoot Waveform 1



Note: This waveform is applied for A₉, $\overline{\text{OE}}$ and $\overline{\text{RESET}}$

Figure 3 Maximum Overshoot Waveform 2

■ ELECTRICAL CHARACTERISTICS

1. DC Characteristics

Parameter	Symbol	Conditions	Value		Unit
			Min.	Max.	
Input Leakage Current	I_{LI}	$V_{IN} = V_{SS}$ to V_{CC} , $V_{CC} = V_{CC}$ Max.	-1.0	+1.0	μA
Output Leakage Current	I_{LO}	$V_{OUT} = V_{SS}$ to V_{CC} , $V_{CC} = V_{CC}$ Max.	-1.0	+1.0	μA
A_9 , \overline{OE} , \overline{RESET} Inputs Leakage Current	I_{LIT}	$V_{CC} = V_{CC}$ Max. A_9 , \overline{OE} , $\overline{RESET} = 11.0$ V	—	35	μA
V_{CC} Active Current *1	I_{CC1}	$\overline{CE} = V_{IL}$, $\overline{OE} = V_{IH}$, $f = 8$ MHz	—	21	mA
		$\overline{CE} = V_{IL}$, $\overline{OE} = V_{IH}$, $f = 1$ MHz	—	3	mA
V_{CC} Active Current *2	I_{CC2}	$\overline{CE} = V_{IL}$, $\overline{OE} = V_{IH}$	—	30	mA
V_{CC} Current (Standby)	I_{CC3}	$V_{CC} = V_{CC}$ Max., $\overline{CE} = V_{CC} \pm 0.3$ V, $\overline{RESET} = V_{CC} \pm 0.3$ V	—	5	μA
V_{CC} Current (Standby, Reset)	I_{CC4}	$V_{CC} = V_{CC}$ Max., $\overline{WE}/\overline{ACC} = V_{CC} \pm 0.3$ V, $\overline{RESET} = V_{SS} \pm 0.3$ V	—	5	μA
V_{CC} Current (Automatic Sleep Mode) *3	I_{CC5}	$V_{CC} = V_{CC}$ Max., $\overline{CE} = V_{SS} \pm 0.3$ V, $\overline{RESET} = V_{CC} \pm 0.3$ V $V_{IN} = V_{CC} \pm 0.3$ V or $V_{SS} \pm 0.3$ V	—	5	μA
V_{CC} Active Current *5 (Read-While-Program)	I_{CC6}	$\overline{CE} = V_{IL}$, $\overline{OE} = V_{IH}$	—	55	mA
V_{CC} Active Current *5 (Read-While-Erase)	I_{CC7}	$\overline{CE} = V_{IL}$, $\overline{OE} = V_{IH}$	—	55	mA
V_{CC} Active Current (Erase-Suspend-Program)	I_{CC8}	$\overline{CE} = V_{IL}$, $\overline{OE} = V_{IH}$	—	35	mA
V_{CC} Active Current (Intra-Page Read)	I_{CC9}	$\overline{CE} = V_{IL}$, $\overline{OE} = V_{IH}$, $f = 20$ MHz	—	5	mA
$\overline{WP}/\overline{ACC}$ Accelerated Program Current	I_{ACC}	$V_{CC} = V_{CC}$ Max. $\overline{WP}/\overline{ACC} = V_{ACC}$ Max.	—	20	mA
Input Low Level	V_{IL}	—	-0.5	$0.2 \times V_{CC}$	V
Input High Level	V_{IH}	—	$0.8 \times V_{CC}$	$V_{CC} + 0.3$	V
Voltage for $\overline{WP}/\overline{ACC}$ Sector Protection/Unprotection and Program Acceleration *4	V_{ACC}	—	8.5	12.5	V
Voltage for Autoselect and Sector Protection (A_9 , \overline{OE} , \overline{RESET}) *4	V_{ID}	—	10.0	11.0	V
Output Low Voltage Level	V_{OL}	$I_{OL} = 100 \mu A$, $V_{CC} = V_{CC}$ Min.	—	0.1	V
Output High Voltage Level	V_{OH}	$I_{OH} = -100 \mu A$	$V_{CC} - 0.1$	—	V

*1: The I_{CC} current listed includes both the DC operating current and the frequency dependent component.

*2: I_{CC} is active while Embedded Algorithm (program or erase) is in progress.

*3: Automatic sleep mode enables the low power mode when address remains stable for 150 ns.

*4: Applicable for only V_{CC} applying.

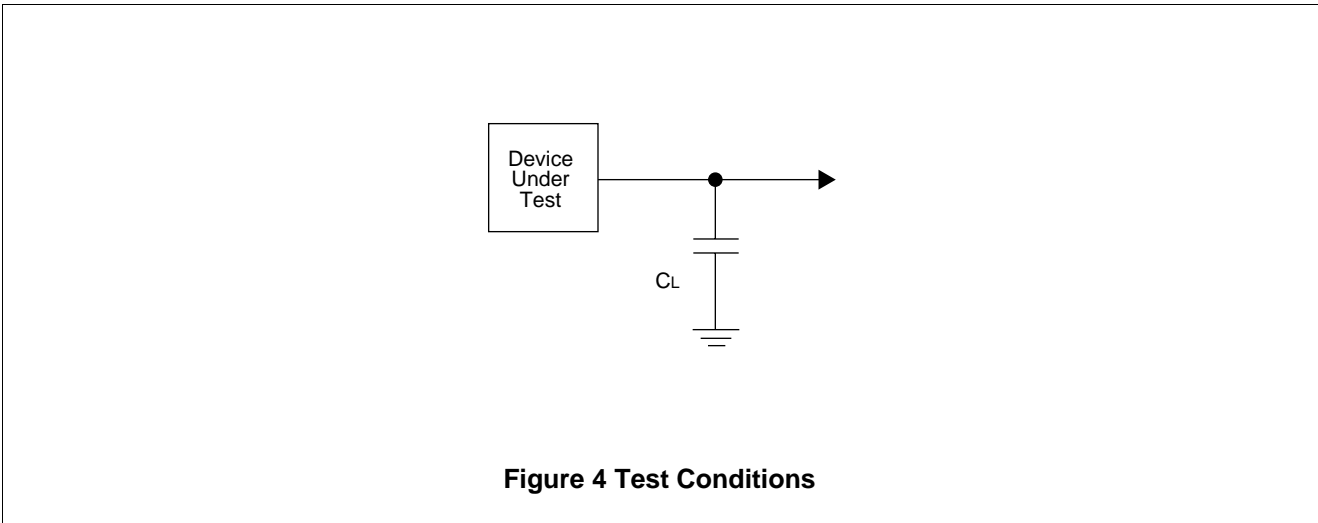
*5: Embedded Algorithm (program or erase) is in progress. (@5 MHz)

2. AC Characteristics

• Read Only Operations Characteristics

Parameter	Symbol		Conditions	Value(Note)				Unit
	JEDEC	Standard		10		11		
				Min.	Max.	Min.	Max.	
Read Cycle Time	t _{AVAV}	t _{RC}	—	100	—	115	—	ns
Address to Output Delay	t _{AVQV}	t _{ACC}	$\overline{CE} = V_{IL}$ $\overline{OE} = V_{IL}$	—	100	—	115	ns
Page Read Cycle Time	—	t _{PRC}	—	45	—	45	—	ns
Page Address to Output Delay	—	t _{PACC}	$\overline{CE} = V_{IL}$ $\overline{OE} = V_{IL}$	—	45	—	45	ns
Chip Enable to Output Delay	t _{ELQV}	t _{CE}	$\overline{OE} = V_{IL}$	—	100	—	115	ns
Output Enable to Output Delay	t _{GLQV}	t _{OE}	—	—	35	—	45	ns
Chip Enable to Output High-Z	t _{EHQZ}	t _{DF}	—	—	30	—	30	ns
Output Enable to Output High-Z	t _{GHQZ}	t _{DF}	—	—	30	—	30	ns
Output Hold Time From Addresses, \overline{CE} or \overline{OE} , Whichever Occurs First	t _{AXQX}	t _{OH}	—	0	—	0	—	ns
\overline{RESET} Pin Low to Read Mode	—	t _{READY}	—	—	20	—	20	μs

Note: Test Conditions:
 Output Load: C_L = 50 pF
 Input rise and fall times: 5 ns
 Input pulse levels: 0.0 V to 2.0 V
 Timing measurement reference level
 Input: 1.0 V
 Output: 1.0 V



• Write/Erase/Program Operations

Parameter	Symbol		Value						Unit
			10			11			
	JEDEC	Standard	Min.	Typ.	Max.	Min.	Typ.	Max.	
Write Cycle Time	t _{AVAV}	t _{WC}	100	—	—	115	—	—	ns
Address Setup Time	t _{AVWL}	t _{AS}	0	—	—	0	—	—	ns
Address Setup Time to \overline{OE} Low During Toggle Bit Polling	—	t _{ASO}	15	—	—	15	—	—	ns
Address Hold Time	t _{WLAX}	t _{AH}	60	—	—	60	—	—	ns
Address Hold Time from \overline{CE} or \overline{OE} High During Toggle Bit Polling	—	t _{AHT}	0	—	—	0	—	—	ns
Data Setup Time	t _{DVWH}	t _{DS}	60	—	—	60	—	—	ns
Data Hold Time	t _{WHDX}	t _{DH}	0	—	—	0	—	—	ns
Output Enable Hold Time	Read	t _{OEH}	0	—	—	0	—	—	ns
	Toggle and \overline{Data} Polling		10	—	—	10	—	—	ns
\overline{CE} High During Toggle Bit Polling	—	t _{CEPH}	20	—	—	20	—	—	ns
\overline{OE} High During Toggle Bit Polling	—	t _{OEPH}	20	—	—	20	—	—	ns
Read Recover Time Before Write	t _{GHWL}	t _{GHWL}	0	—	—	0	—	—	ns
Read Recover Time Before Write	t _{GHEL}	t _{GHEL}	0	—	—	0	—	—	ns
\overline{CE} Setup Time	t _{ELWL}	t _{CS}	0	—	—	0	—	—	ns
\overline{WE} Setup Time	t _{WLLEL}	t _{WS}	0	—	—	0	—	—	ns
\overline{CE} Hold Time	t _{WHEH}	t _{CH}	0	—	—	0	—	—	ns
\overline{WE} Hold Time	t _{EHWH}	t _{WH}	0	—	—	0	—	—	ns
Write Pulse Width	t _{WLWH}	t _{WP}	60	—	—	60	—	—	ns
\overline{CE} Pulse Width	t _{LEH}	t _{CP}	60	—	—	60	—	—	ns
Write Pulse Width High	t _{WHWL}	t _{WPH}	60	—	—	60	—	—	ns
\overline{CE} Pulse Width High	t _{EHEL}	t _{CPH}	60	—	—	60	—	—	ns
Programming Operation	t _{WHWH1}	t _{WHWH1}	—	16	—	—	16	—	μs
Sector Erase Operation *1	t _{WHWH2}	t _{WHWH2}	—	1	—	—	1	—	s
V _{CC} Setup Time	—	t _{VCS}	50	—	—	50	—	—	μs
Rise Time to V _{ID} *2	—	t _{VIDR}	500	—	—	500	—	—	ns
Rise Time to V _{ACC} *3	—	t _{VACCR}	500	—	—	500	—	—	ns
Voltage Transition Time *2	—	t _{VLHT}	4	—	—	4	—	—	μs
Write Pulse Width *2	—	t _{WPP}	100	—	—	100	—	—	μs
\overline{OE} Setup Time to \overline{WE} Active *2	—	t _{OESP}	4	—	—	4	—	—	μs

(Continued)

(Continued)

Parameter	Symbol		Value						Unit
			10			11			
	JEDEC	Standard	Min.	Typ.	Max.	Min.	Typ.	Max.	
\overline{CE} Setup Time to \overline{WE} Active *2	—	t _{CSP}	4	—	—	4	—	—	μs
Recover Time From RY/ \overline{BY}	—	t _{RB}	0	—	—	0	—	—	ns
\overline{RESET} Pulse Width	—	t _{RP}	500	—	—	500	—	—	ns
\overline{RESET} High Level Period Before Read	—	t _{RH}	200	—	—	200	—	—	ns
Program/Erase Valid to RY/ \overline{BY} Delay	—	t _{BUSY}	—	—	90	—	—	90	ns
Delay Time from Embedded Output Enable	—	t _{EOE}	—	—	90	—	—	115	ns
Erase Time-out Time	—	t _{TOW}	50	—	—	50	—	—	μs
Erase Suspend Transition Time	—	t _{SPD}	—	—	20	—	—	20	μs
Power On / Off Time	—	t _{PS}	—	—	100	—	—	115	ns

*1: This does not include the preprogramming time.

*2: This timing is for Sector Group Protection operation.

*3: This timing is for Accelerated Program operation.

■ ERASE AND PROGRAMMING PERFORMANCE

Parameter	Limits			Unit	Comments
	Min.	Typ.	Max.		
Sector Erase Time	—	1	10	s	Excludes programming time prior to erasure
Word Programming Time	—	16	360	μs	Excludes system-level overhead
Chip Programming Time	—	—	100	s	Excludes system-level overhead
Program/Erase Cycle	100,000	—	—	cycle	—

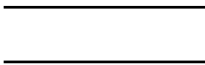


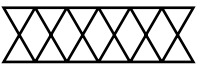
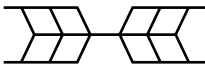
FBGA PIN CAPACITANCE

Parameter	Symbol	Condition	Value		Unit
			Typ.	Max.	
Input Capacitance	C_{IN}	$V_{IN} = 0$	TBD	TBD	pF
Output Capacitance	C_{OUT}	$V_{OUT} = 0$	TBD	TBD	pF
Control Pin Capacitance	C_{IN2}	$V_{IN} = 0$	TBD	TBD	pF
\overline{WP}/ACC Pin Capacitance	C_{IN3}	$V_{IN} = 0$	TBD	TBD	pF

Note: Test conditions $T_A = 25^\circ\text{C}$, $f = 1.0\text{ MHz}$

■ TIMING DIAGRAM

- Key to Switching Waveforms

WAVEFORM	INPUTS	OUTPUTS
	Must Be Steady	Will Be Steady
	May Change from H to L	Will Be Changing from H to L
	May Change from L to H	Will Be Changing from L to H
	"H" or "L": Any Change Permitted	Changing, State Unknown
	Does Not Apply	Center Line is High-Impedance "Off" State

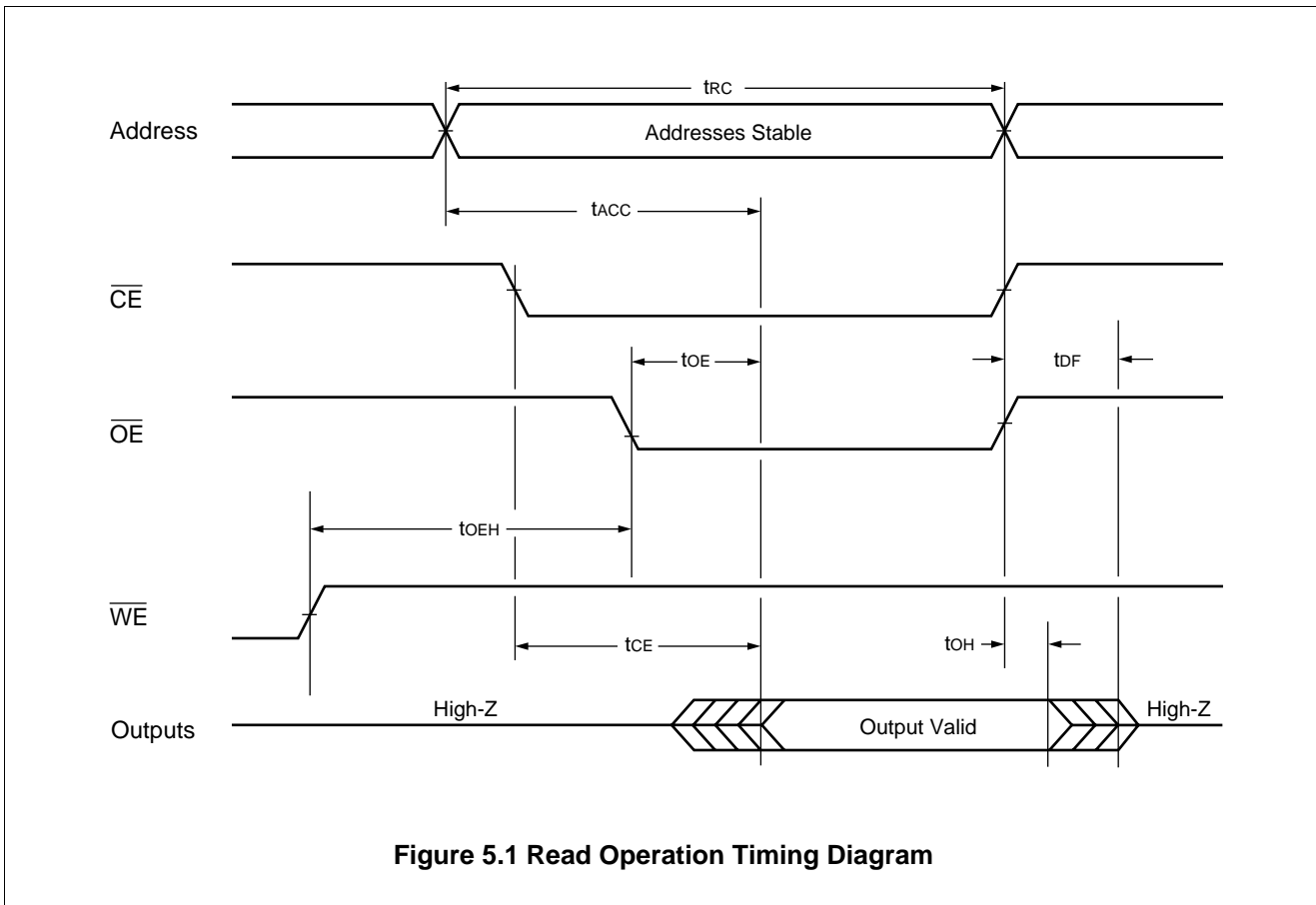


Figure 5.1 Read Operation Timing Diagram

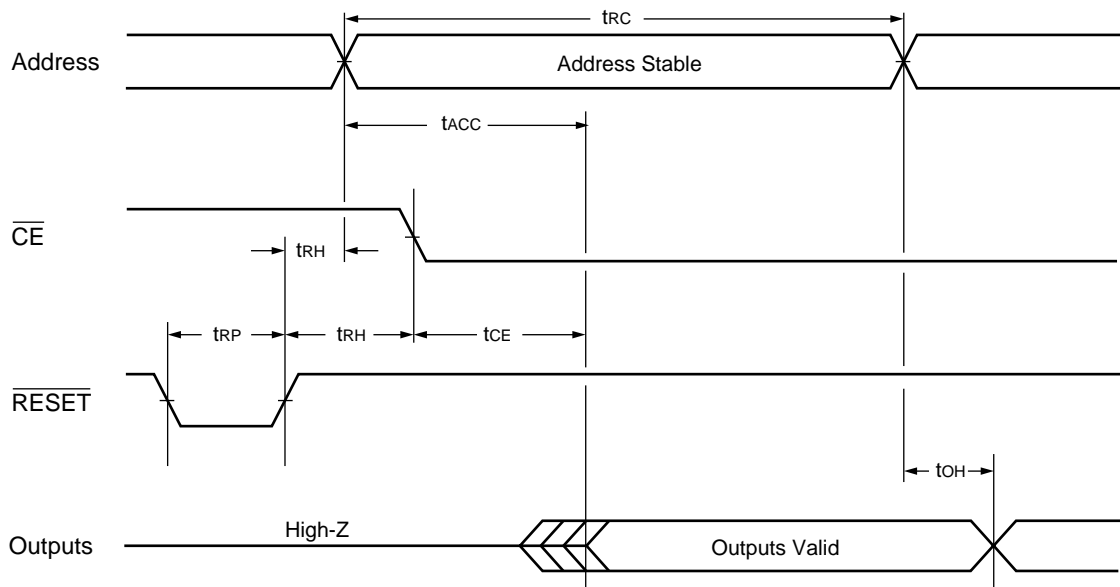


Figure 5.2 Hardware Reset/Read Operation Timing Diagram

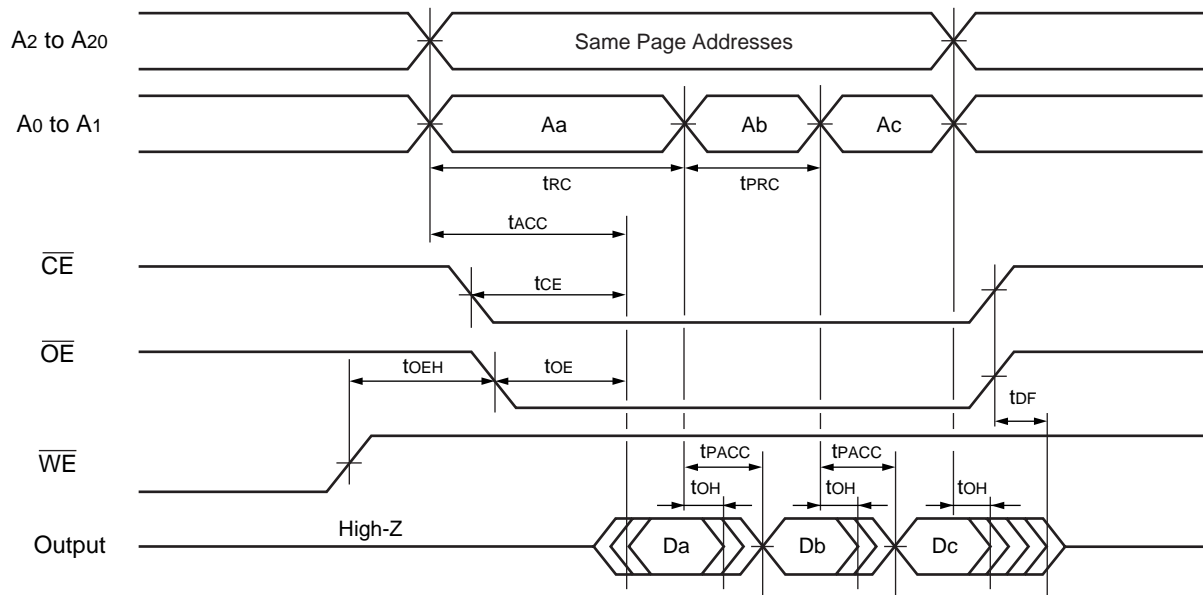
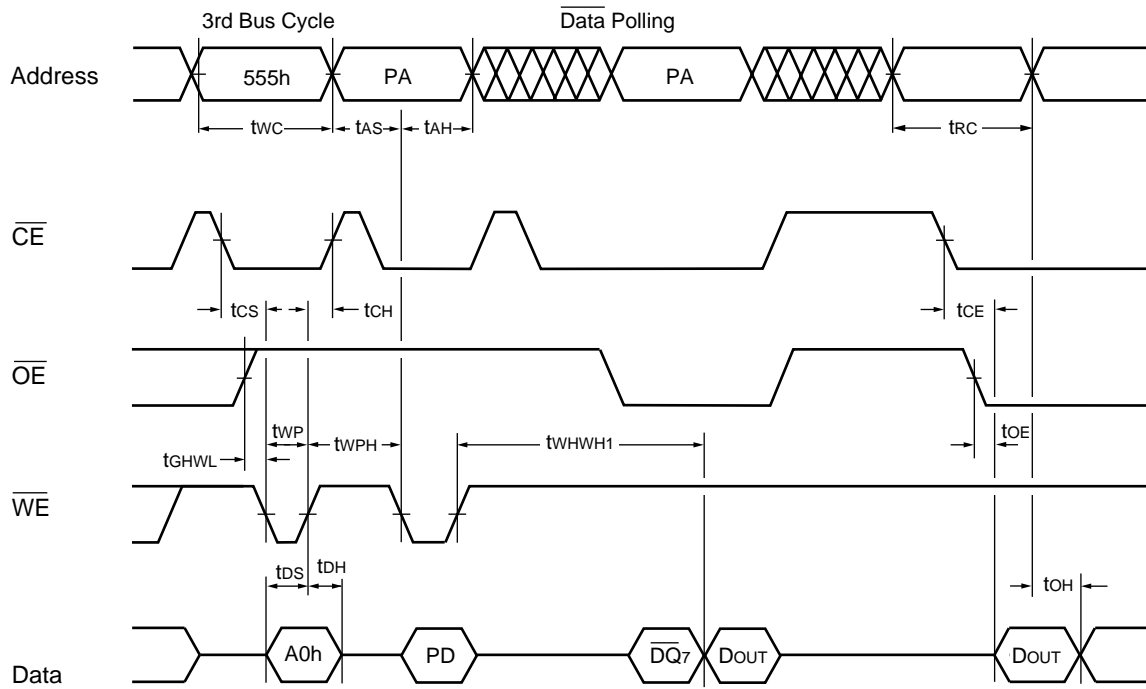
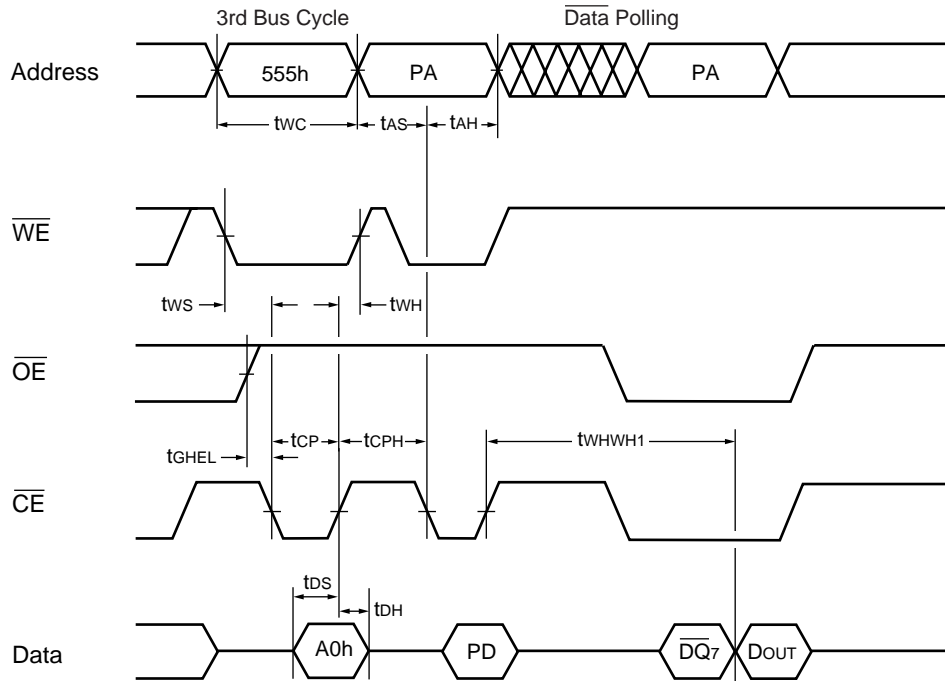


Figure 5.3 Page Read Operation Timing Diagram



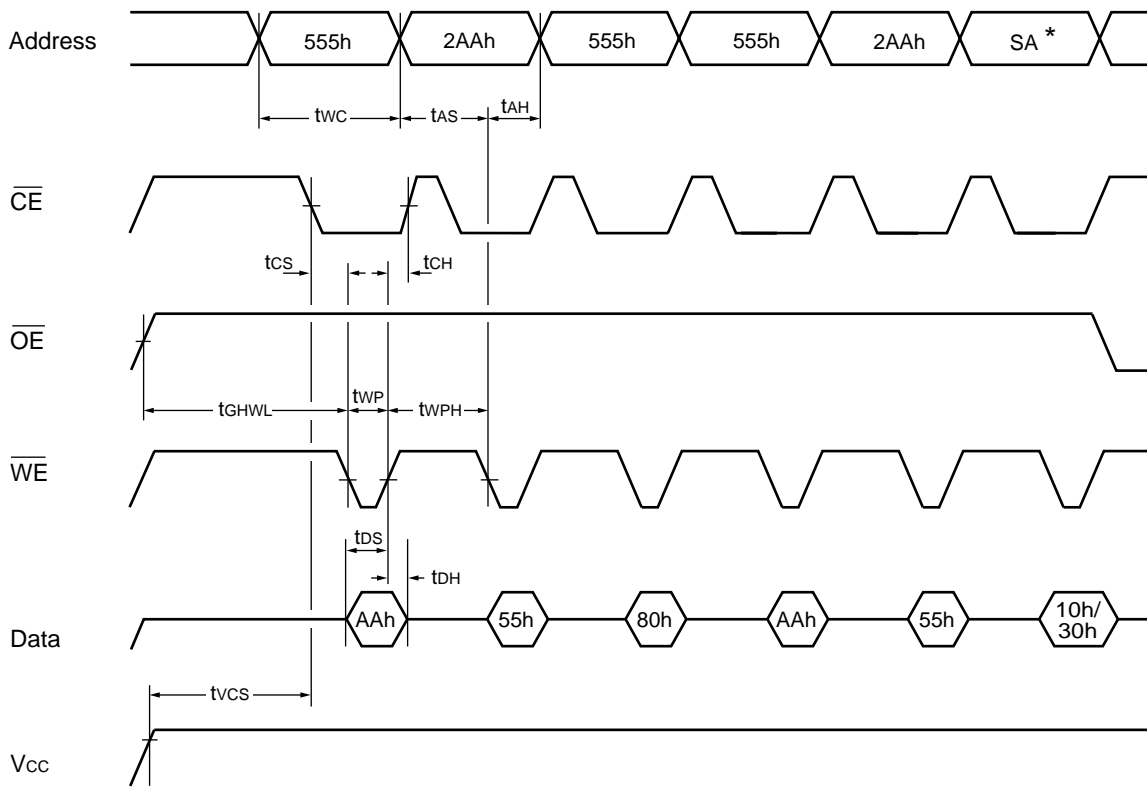
- Notes:
1. PA is address of the memory location to be programmed.
 2. PD is data to be programmed at word address.
 3. $\overline{DQ_7}$ is the output of the complement of the data written to the device.
 4. D_{OUT} is the output of the data written to the device.
 5. Figure indicates last two bus cycles out of four bus cycle sequence.

Figure 6 Alternate \overline{WE} Controlled Program Operation Timing Diagram



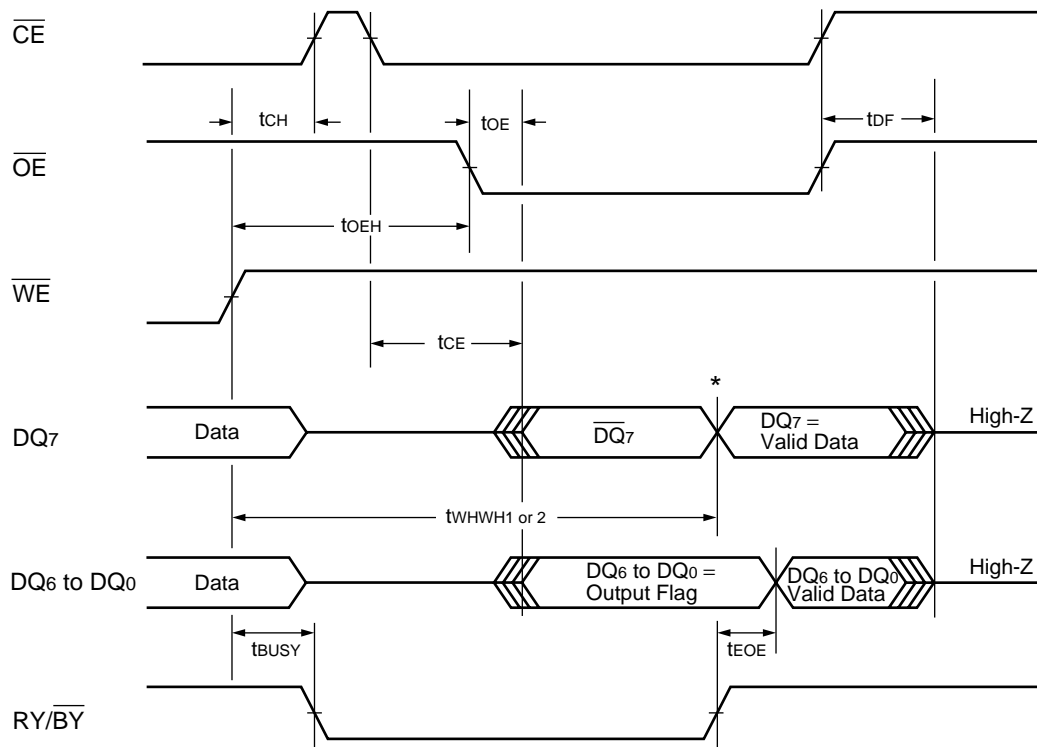
- Notes:
1. PA is address of the memory location to be programmed.
 2. PD is data to be programmed at word address.
 3. $\overline{DQ7}$ is the output of the complement of the data written to the device.
 4. D_{OUT} is the output of the data written to the device.
 5. Figure indicates last two bus cycles out of four bus cycle sequence.

Figure 7 Alternate \overline{CE} Controlled Program Operation Timing Diagram



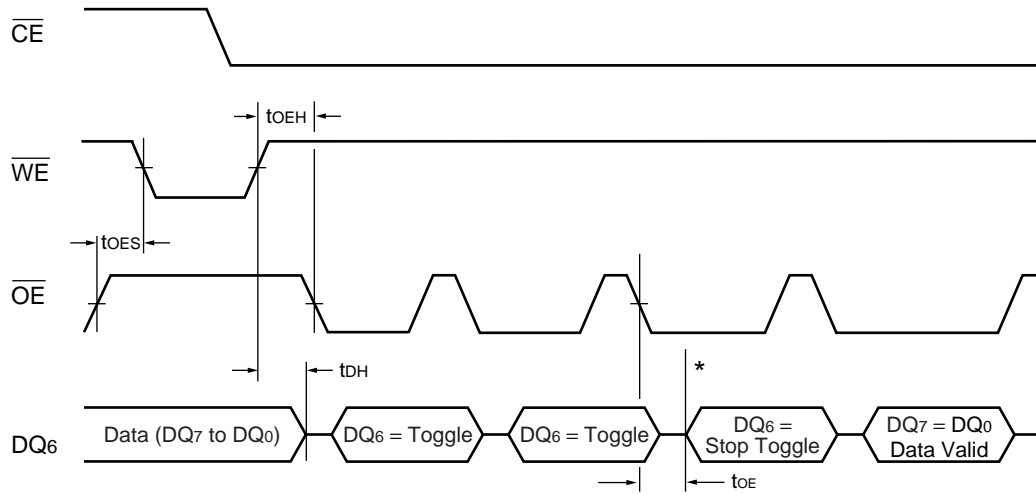
*: SA is the sector address for Sector Erase. Addresses = 555h for Chip Erase.

Figure 8 Chip/Sector Erase Operation Timing Diagram



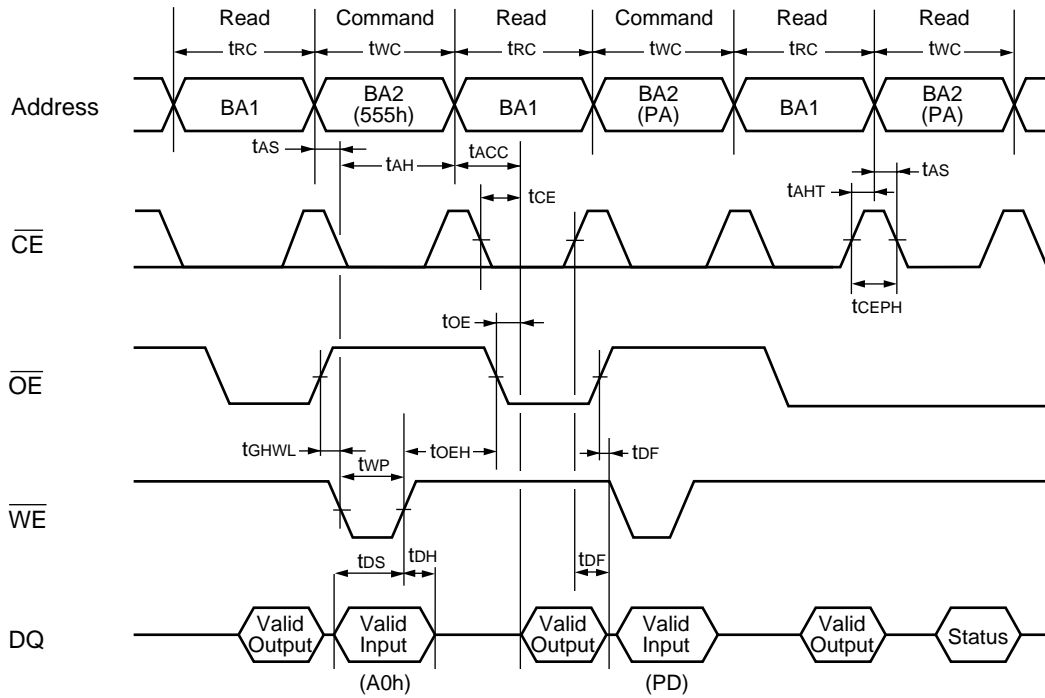
*: DQ_7 = Valid Data (The device has completed the Embedded operation).

Figure 9 \overline{Data} Polling during Embedded Algorithm Operation Timing Diagram



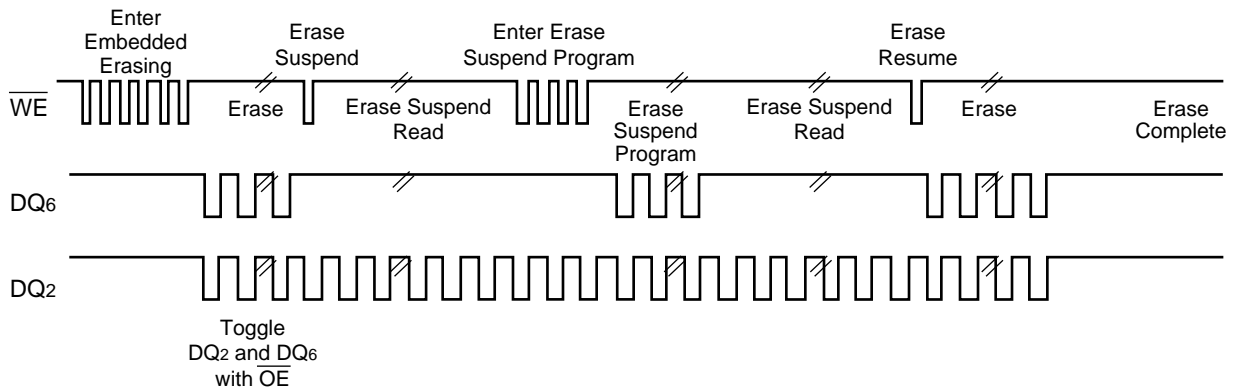
*: DQ_6 stops toggling (The device has completed the Embedded operation).

Figure 10 Toggle Bit I during Embedded Algorithm Operation Timing Diagram



Note: This is example of Read for Bank 1 and Embedded Algorithm (program) for Bank 2.
 BA1: Address of Bank 1.
 BA2: Address of Bank 2.

Figure 11 Bank-to-Bank Read/Write Timing Diagram



Note: DQ₂ is read from the erase-suspended sector.

Figure 12 DQ₂ vs. DQ₆

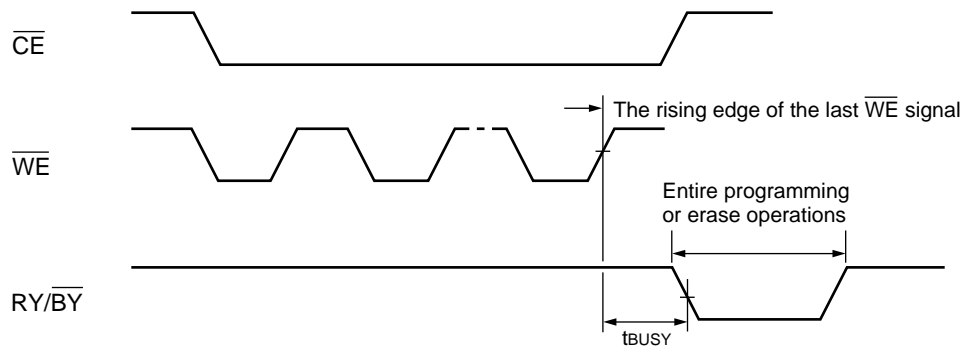


Figure 13 $\overline{RY/BY}$ Timing Diagram during Program/Erase Operation Timing Diagram

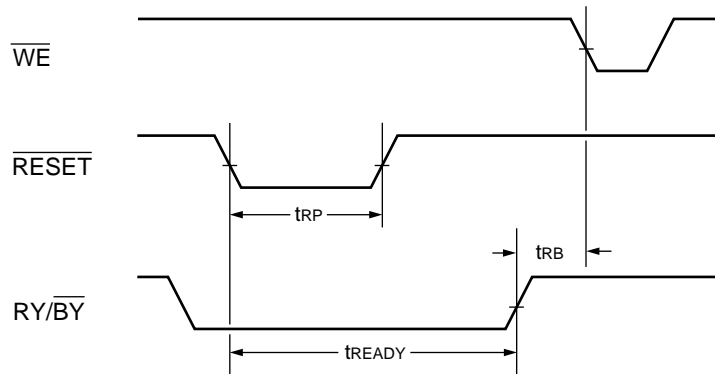


Figure 14 \overline{RESET} , $\overline{RY/BY}$ Timing Diagram

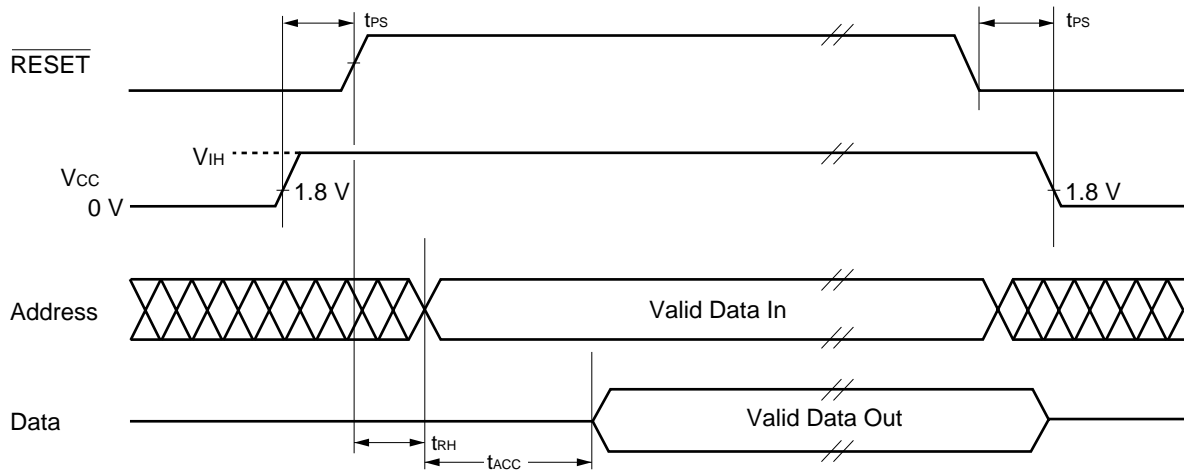
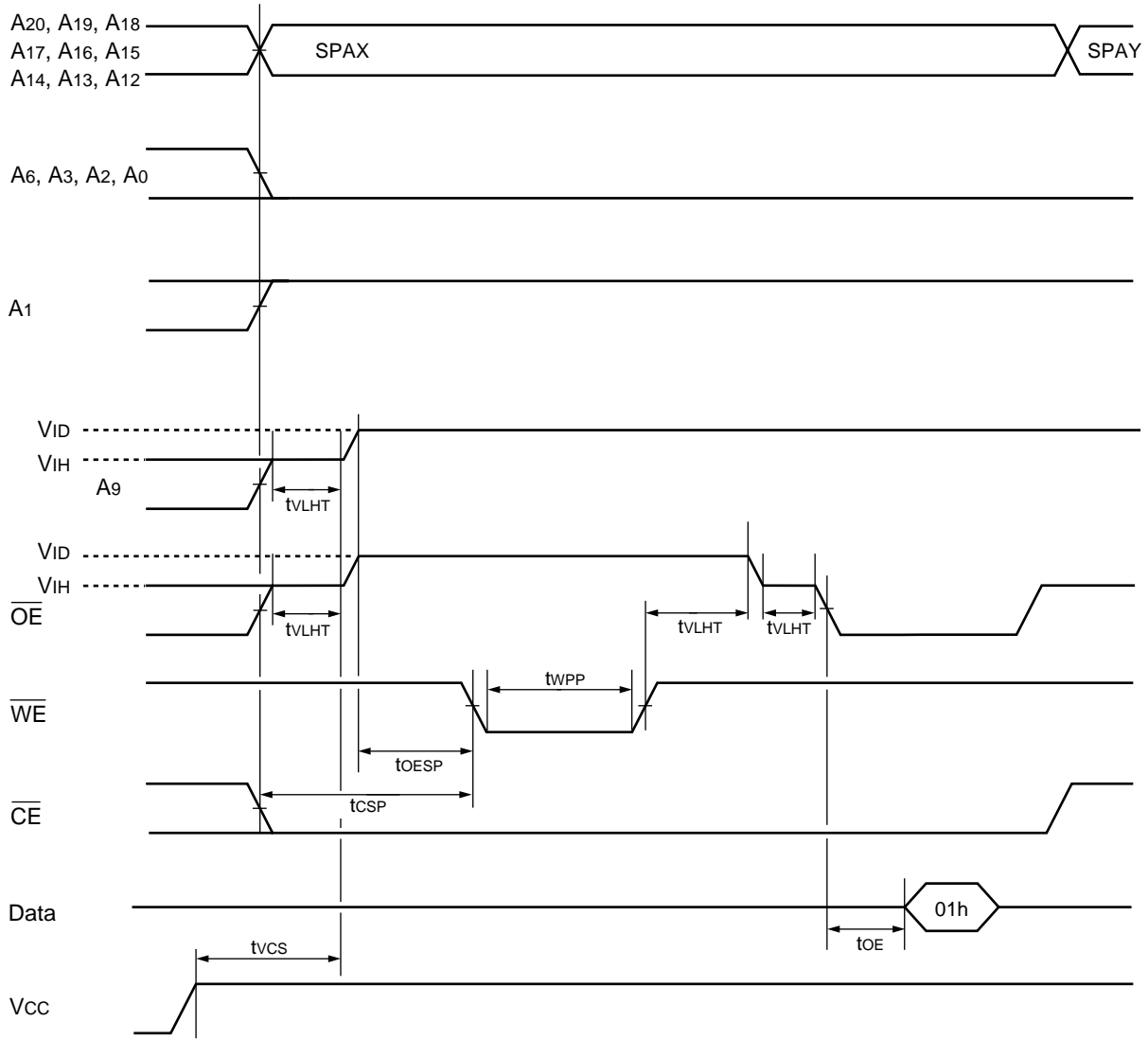


Figure 15 Power On / Off Timing Diagram



SPAX: Sector Group Address for initial sector
 SPAY: Sector Group Address for next sector

Figure 16 Sector Group Protection Timing Diagram

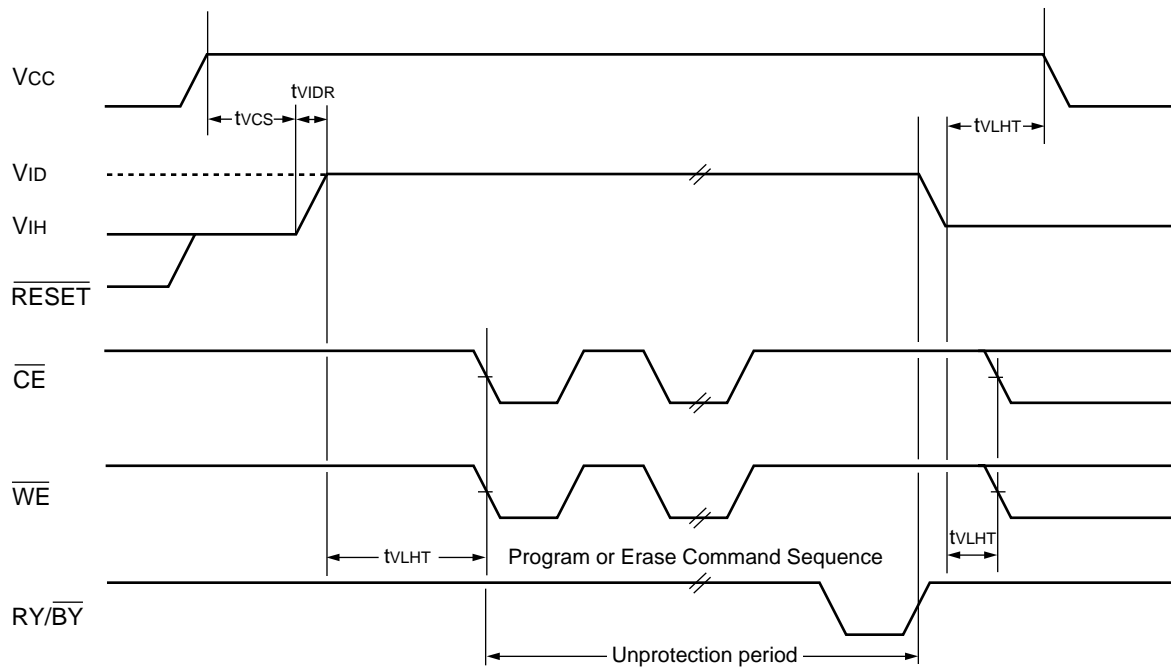
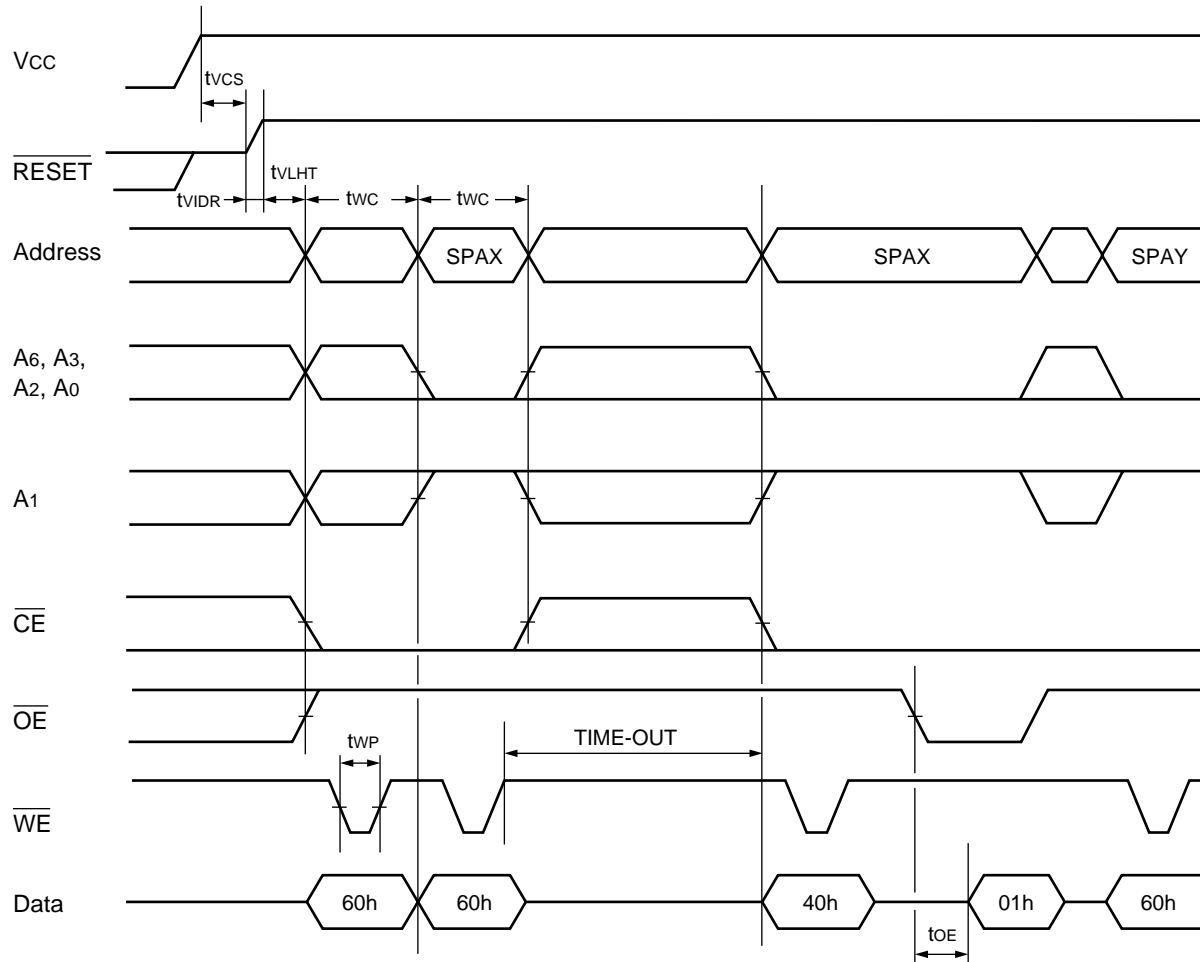


Figure 17 Temporary Sector Group Unprotection Timing Diagram



SPAX: Sector Group Address to be protected
 SPAY: Next Sector Group Address to be protected
 TIME-OUT: Time-Out window = 250 μs (Min.)

Figure 18 Extended Sector Group Protection Timing Diagram

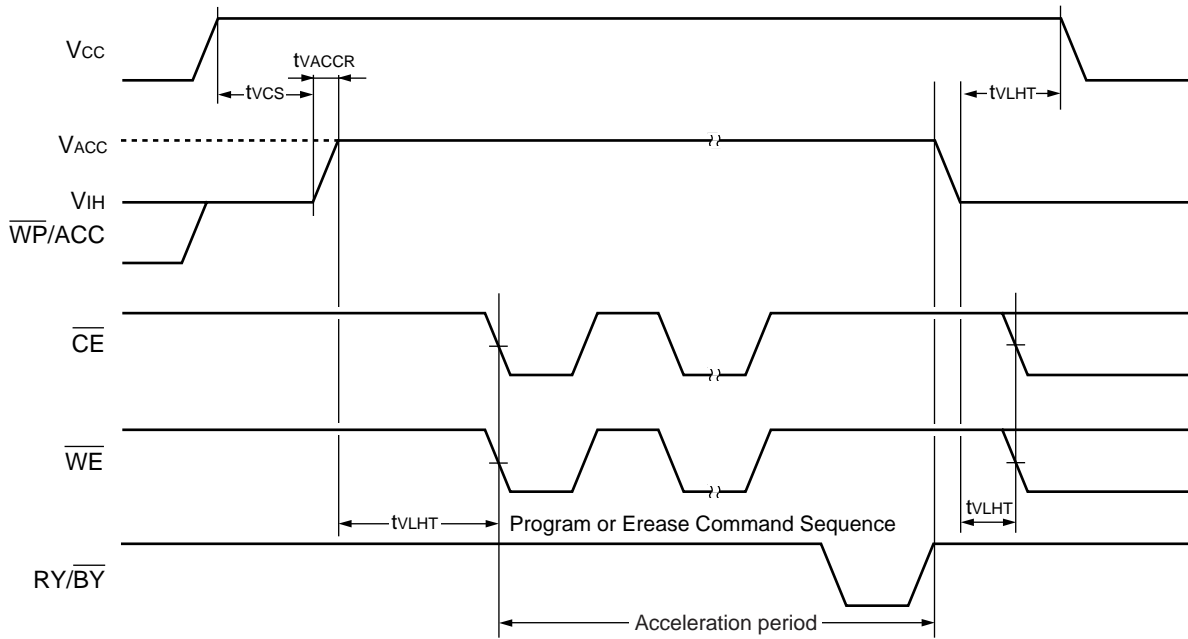
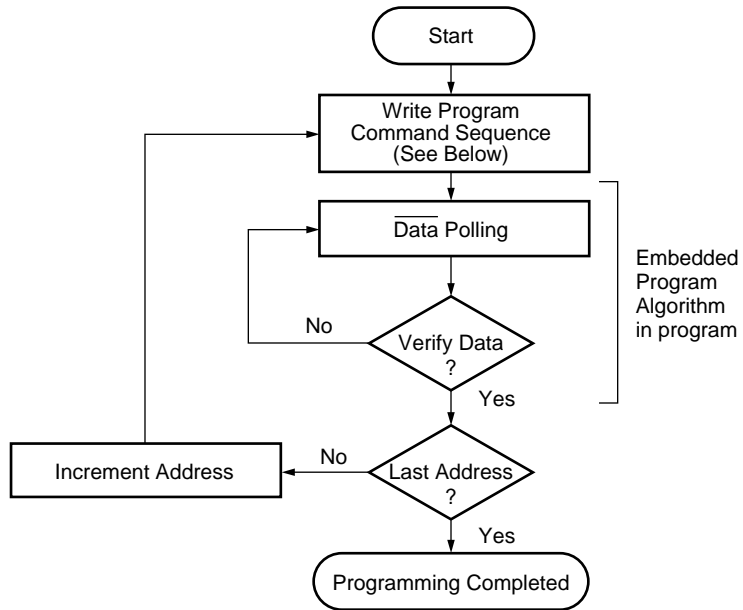


Figure 19 Accelerated Program Timing Diagram

■ FLOW CHARTS

EMBEDDED ALGORITHM



Program Command Sequence (Address/Command):

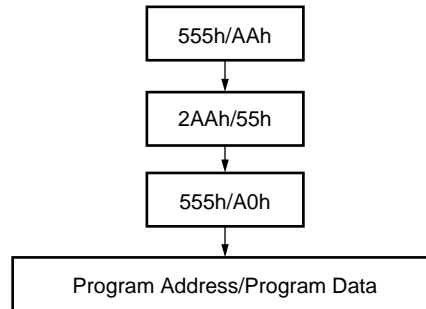


Figure 20 Embedded Program™ Algorithm

EMBEDDED ALGORITHM

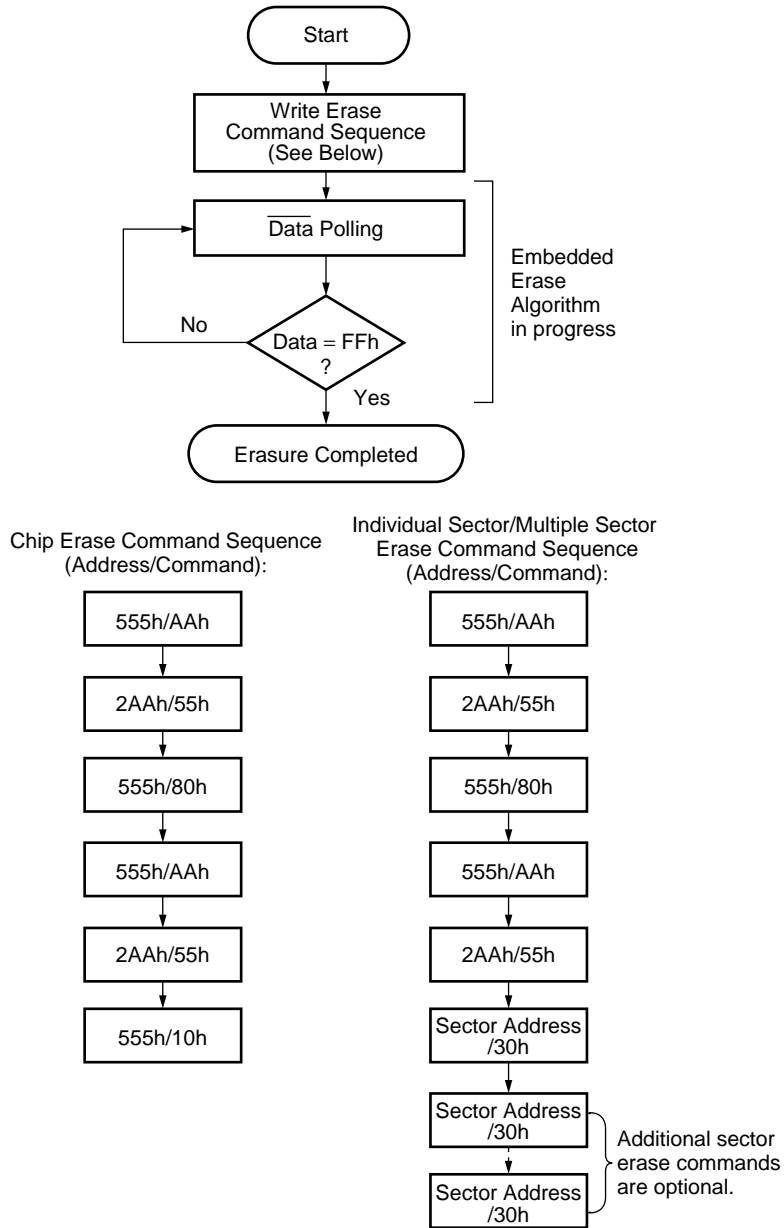
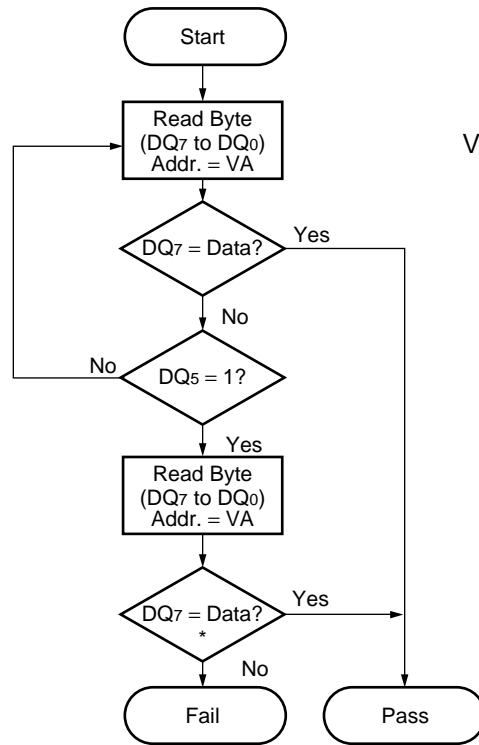


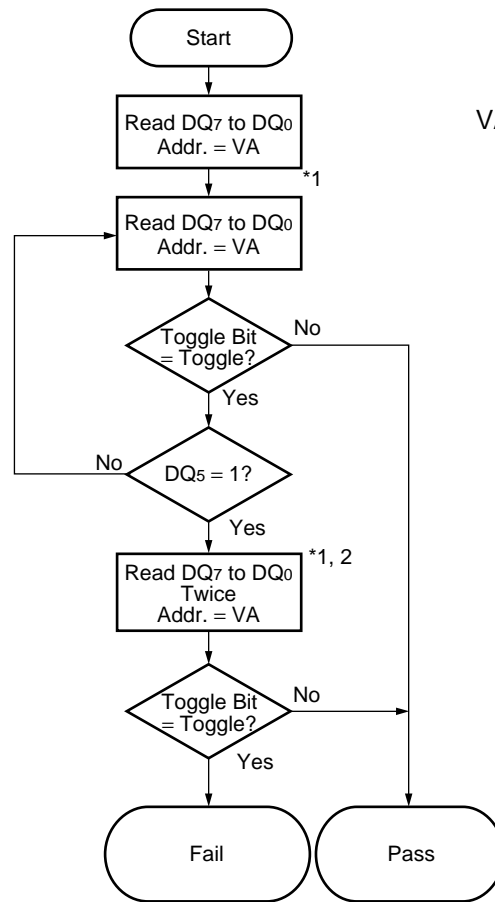
Figure 21 Embedded Erase™ Algorithm



VA=Address for programming
 =Any of the sector address within
 the sector being erased during
 sector erase or multiple sector
 erases operation
 =Any of the sector addresses
 within the sector not being
 protected during sector erase or
 multiple sector erases
 operation.

*: DQ₇ is rechecked even if DQ₅ = "1" because DQ₇ may change simultaneously with DQ₅.

Figure 22 Data Polling Algorithm



VA=Bank address being executed
Embedded Algorithm.

*1: Read toggle bit twice to determine whether or not it is toggling.

*2: Recheck toggle bit because it may stop toggling as DQ₅ changes to "1".

Figure 23 Toggle Bit Algorithm

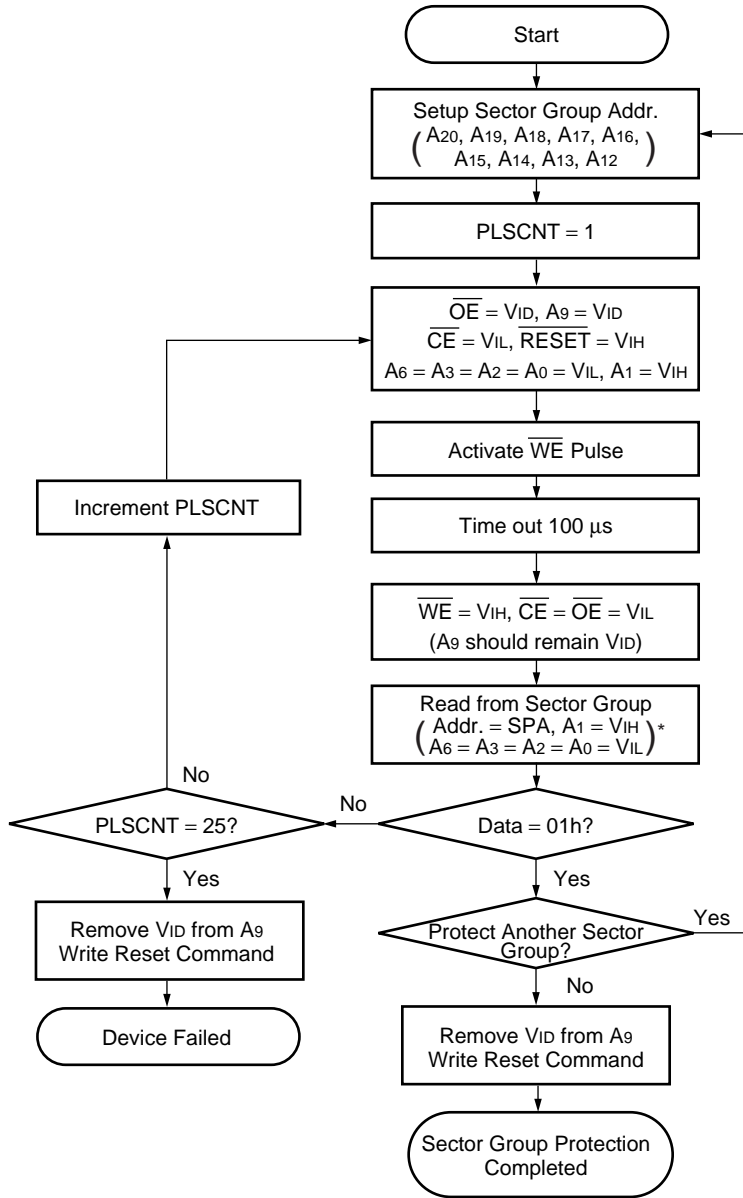
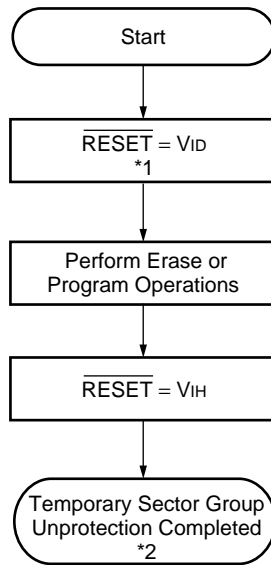


Figure 24 Sector Group Protection Algorithm



*1: All protected sector groups are unprotected.

*2: All previously protected sector groups are protected once again.

Figure 25 Temporary Sector Group Unprotection Algorithm

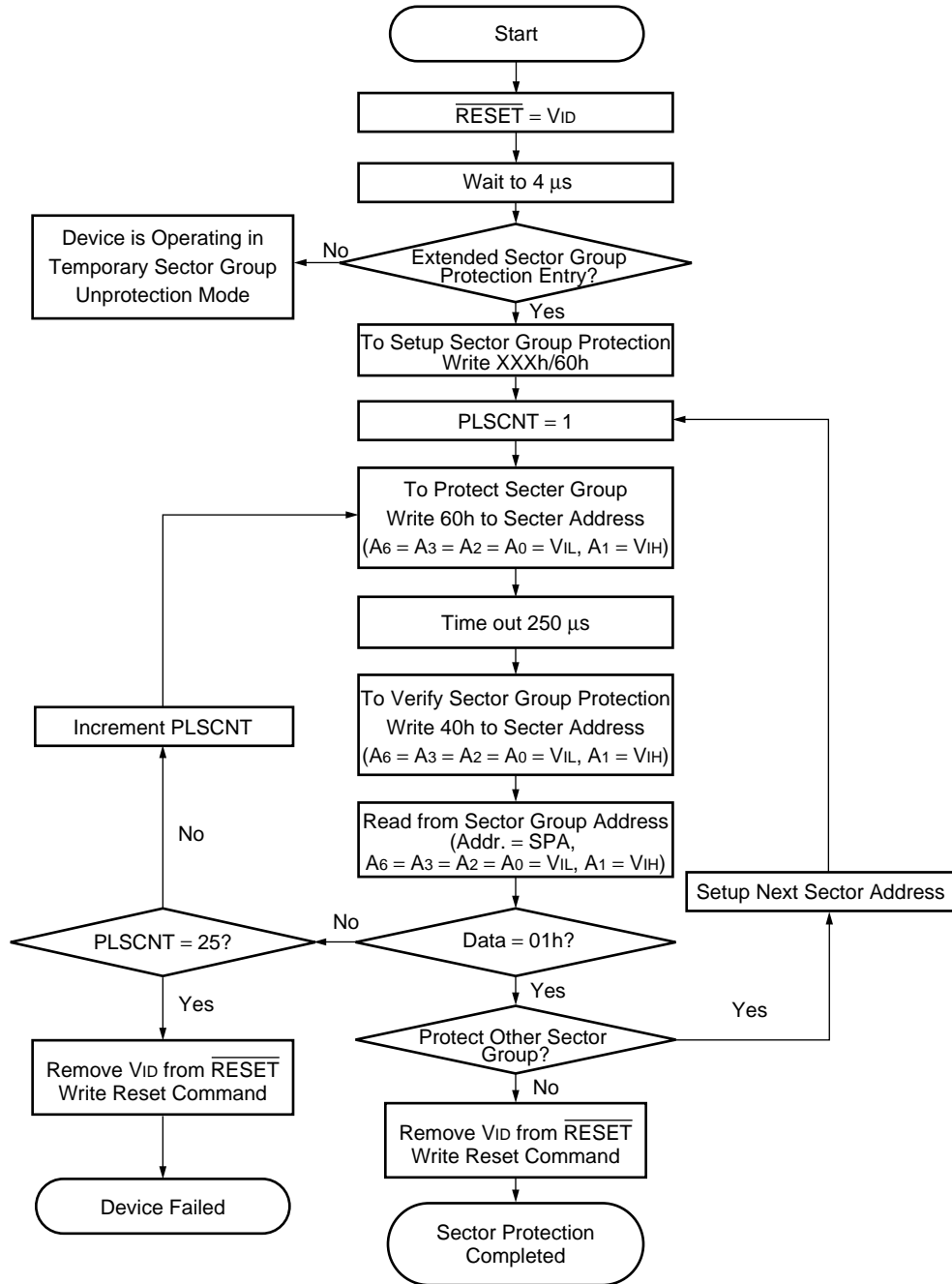


Figure 26 Extended Sector Group Protection Algorithm

FAST MODE ALGORITHM

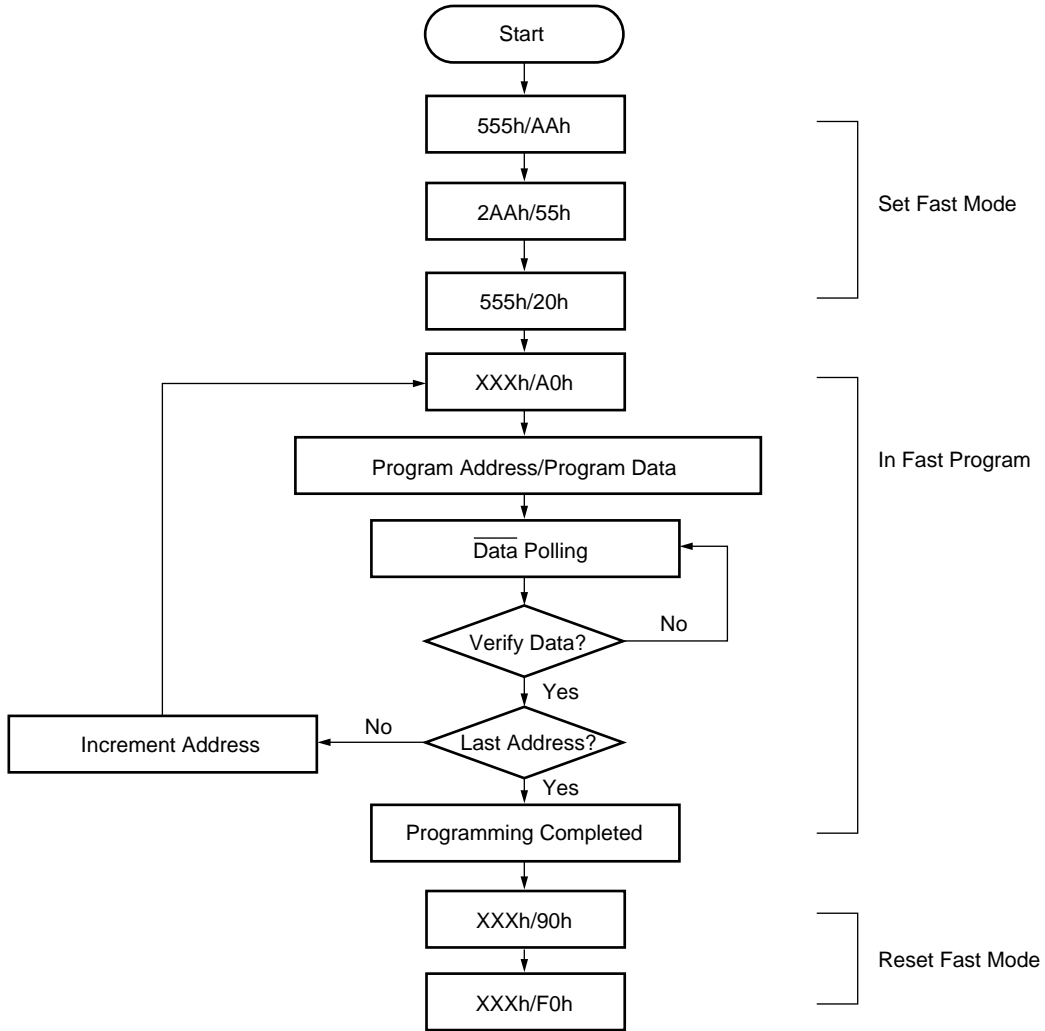
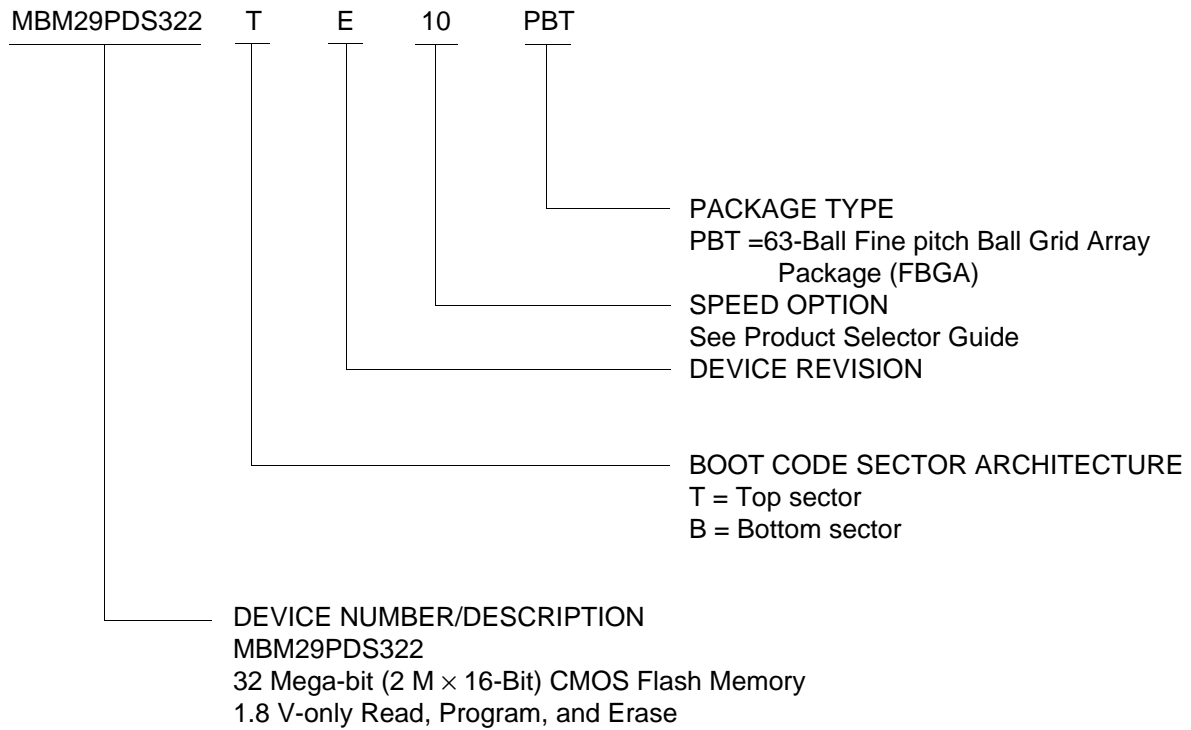


Figure 27 Embedded Program™ Algorithm for Fast Mode

ORDERING INFORMATION

Standard Products

Fujitsu standard products are available in several packages. The order number is formed by a combination of:



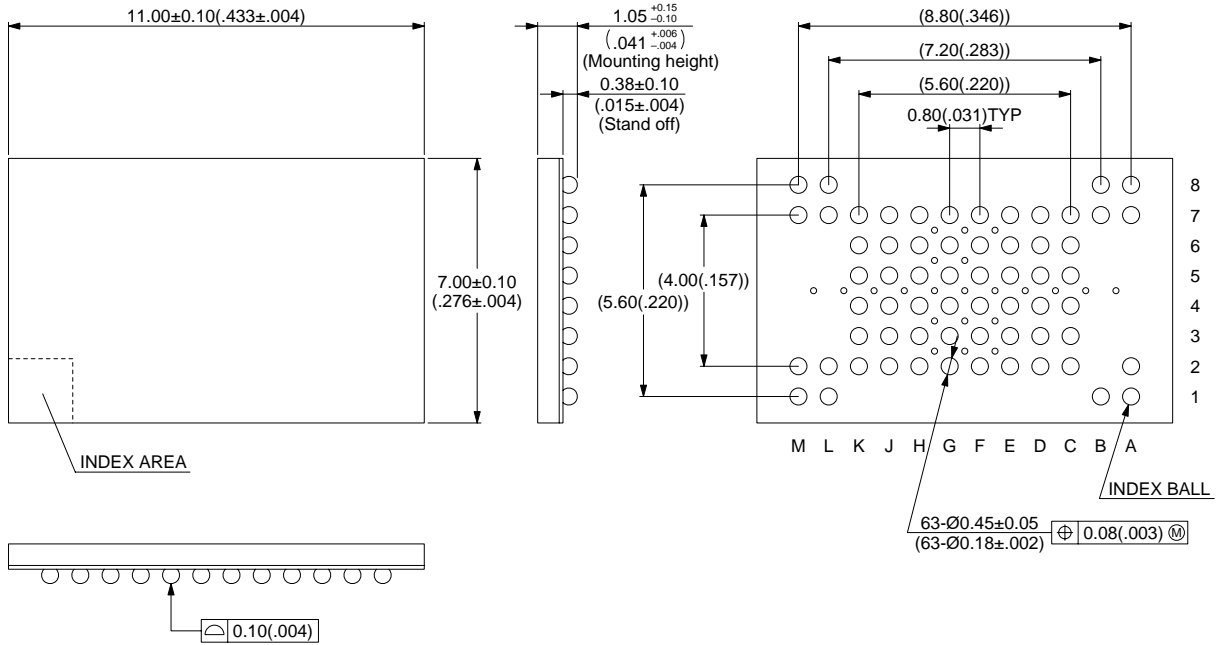
Valid Combinations		
MBM29PDS322TE/BE	10 11	PBT

Valid Combinations

Valid Combinations list configurations planned to be supported in volume for this device. Consult the local Fujitsu sales office to confirm availability of specific valid combinations and to check on newly released combinations.

PACKAGE DIMENSION

63-pin plastic FBGA
(BGA-63P-M01)



© 1999 FUJITSU LIMITED B63001S-1C-1

Dimensions in mm (inches).

FUJITSU LIMITED

For further information please contact:

Japan

FUJITSU LIMITED
Corporate Global Business Support Division
Electronic Devices
Shinjuku Dai-Ichi Seimei Bldg. 7-1,
Nishishinjuku 2-chome, Shinjuku-ku,
Tokyo 163-0721, Japan
Tel: +81-3-5322-3347
Fax: +81-3-5322-3386

<http://edevice.fujitsu.com/>

North and South America

FUJITSU MICROELECTRONICS, INC.
3545 North First Street,
San Jose, CA 95134-1804, U.S.A.
Tel: +1-408-922-9000
Fax: +1-408-922-9179

Customer Response Center
Mon. - Fri.: 7 am - 5 pm (PST)
Tel: +1-800-866-8608
Fax: +1-408-922-9179

<http://www.fujitsumicro.com/>

Europe

FUJITSU MICROELECTRONICS EUROPE GmbH
Am Siebenstein 6-10,
D-63303 Dreieich-Buchsschlag,
Germany
Tel: +49-6103-690-0
Fax: +49-6103-690-122

<http://www.fujitsu-fme.com/>

Asia Pacific

FUJITSU MICROELECTRONICS ASIA PTE. LTD.
#05-08, 151 Lorong Chuan,
New Tech Park,
Singapore 556741
Tel: +65-281-0770
Fax: +65-281-0220

<http://www.fmap.com.sg/>

Korea

FUJITSU MICROELECTRONICS KOREA LTD.
1702 KOSMO TOWER, 1002 Daechi-Dong,
Kangnam-Gu, Seoul 135-280
Korea
Tel: +82-2-3484-7100
Fax: +82-2-3484-7111

F0101

© FUJITSU LIMITED Printed in Japan

All Rights Reserved.

The contents of this document are subject to change without notice. Customers are advised to consult with FUJITSU sales representatives before ordering.

The information and circuit diagrams in this document are presented as examples of semiconductor device applications, and are not intended to be incorporated in devices for actual use. Also, FUJITSU is unable to assume responsibility for infringement of any patent rights or other rights of third parties arising from the use of this information or circuit diagrams.

The contents of this document may not be reproduced or copied without the permission of FUJITSU LIMITED.

FUJITSU semiconductor devices are intended for use in standard applications (computers, office automation and other office equipments, industrial, communications, and measurement equipments, personal or household devices, etc.).

CAUTION:

Customers considering the use of our products in special applications where failure or abnormal operation may directly affect human lives or cause physical injury or property damage, or where extremely high levels of reliability are demanded (such as aerospace systems, atomic energy controls, sea floor repeaters, vehicle operating controls, medical devices for life support, etc.) are requested to consult with FUJITSU sales representatives before such use. The company will not be responsible for damages arising from such use without prior approval.

Any semiconductor devices have inherently a certain rate of failure. You must protect against injury, damage or loss from such failures by incorporating safety design measures into your facility and equipment such as redundancy, fire protection, and prevention of over-current levels and other abnormal operating conditions.

If any products described in this document represent goods or technologies subject to certain restrictions on export under the Foreign Exchange and Foreign Trade Control Law of Japan, the prior authorization by Japanese government should be required for export of those products from Japan.