

ADVANCED INFORMATION

CMOS SWITCHED CAPACITOR VOLTAGE CONVERTER WITH REGULATOR

FEATURES

- Regulated Output to 2 %
- 5 mA Output Current
- Operating Range 1.8 to 8 V
- Enable Pin
- Miniature Package (SOT-23L-6)
- Standby Current (2 μ A)

APPLICATIONS

- Voltage Inverter
- Negative Voltage Doubler
- Voltage Regulator
- Positive Voltage Doubler

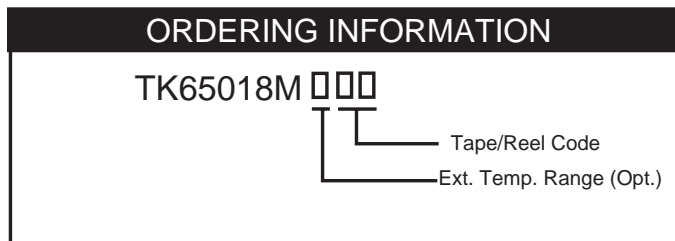
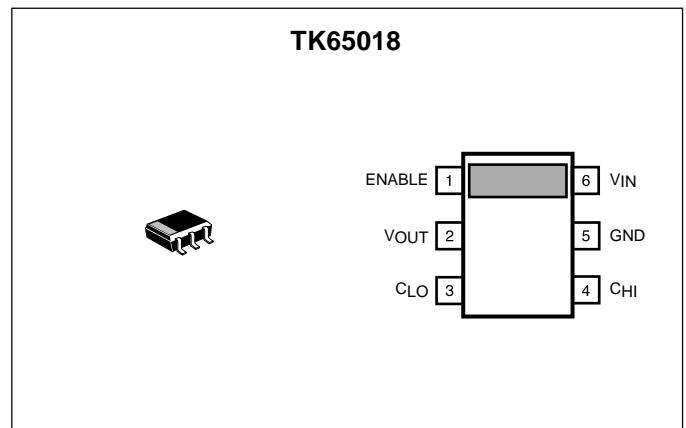
DESCRIPTION

The TK65018 is a monolithic switched capacitor converter with regulation. With just two capacitors, the TK65018 can create a negative voltage supply with regulation.

With no external timing elements, the converter will self-oscillate at 166 kHz, nominal.

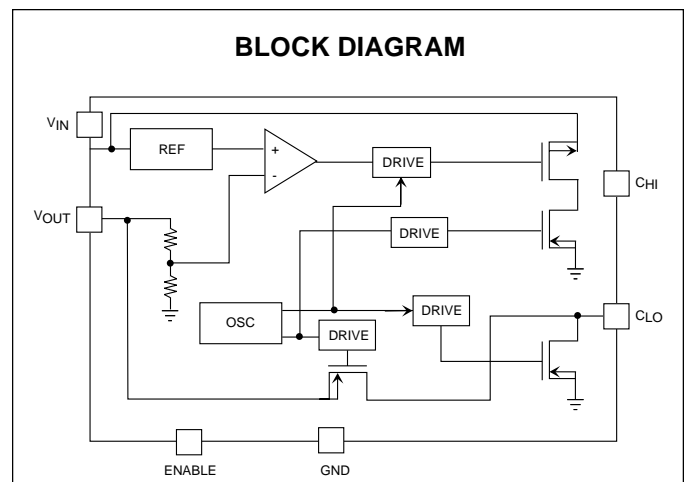
Quiescent current is typically 50 μ A. Standby current is guaranteed less than 2 μ A over the full operating temperature and input voltage ranges.

The TK65018 is available in miniature SOT-23L-6 surface mount package. Customized levels of output voltages are available. The TK65018 is available with the following output voltages: -5.0 V, -4.1 V, -3.5 V, -3.0 V, -2.1 V, -1.5, -0.5 V.



EXT. TEMPERATURE RANGE (OPT.)
I: -40 TO +85 °C

TAPE/REEL CODE
TL: Tape Left



ABSOLUTE MAXIMUM RATINGS

Supply Voltage V_{IN} For Doubler Conf.	8 V	Operating Temperature Range	0 to 70 °C
Power Dissipation (Note 1)	400 mW	Junction Temperature	125 °C
Storage Temperature Range	-55 to +150 °C	Lead Soldering Temperature (10 s)	300 °C

TK65018 ELECTRICAL CHARACTERISTICS

Test conditions: $V_{IN} = 3.1$ V, T_A = Operating Temperature Range, unless otherwise specified.

SYMBOL	PARAMETER	TEST CONDITIONS	MIN	TYP	MAX	UNITS
I_{CC}	Supply Current	$I_{LOAD} = 0$ mA, $V_{IN} = 1.8$ V		50	75	μ A
		$I_{LOAD} = 0$ mA, $V_{IN} = 5.0$ V		100	125	μ A
V_{CC}	Supply Voltage Range	$V_{CC} + V_{OUT} \leq 9$	1.8		8	V
V_{LOSS}	Voltage Loss ($V_{IN} - V_{OUT}$)			TBD		V
				TBD		V
f_{OSC}	Oscillator Frequency	2 V $\leq V_{IN} \leq 8$ V		166		kHz
V_{OUT}	Regulated Voltage			V_{OUT}		V
Line Reg	Line Regulation			5	35	mV
LoadReg	Load Regulation			60	150	mV
$I_{SW(MAX)}$	Maximum Switch Current			5	10	mA
I_{STBY}	Standby Current			1	2	μ A

Note 1: Power dissipation is 400 mW when mounted as recommended (200 mW in Free Air). Derated at 1.6 mW/°C for operation above 25 °C.

TYPICAL PERFORMANCE CHARACTERISTICS

TYPICAL APPLICATIONS

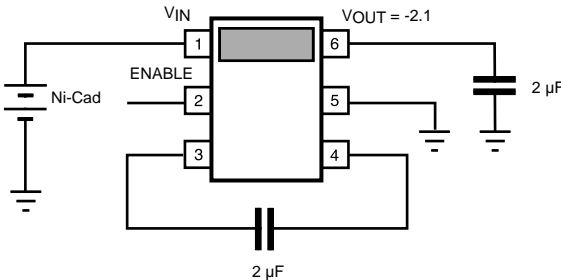


FIGURE 1: REGULATING INVERTER

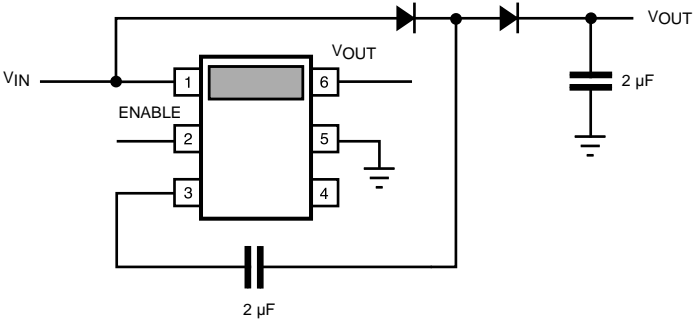
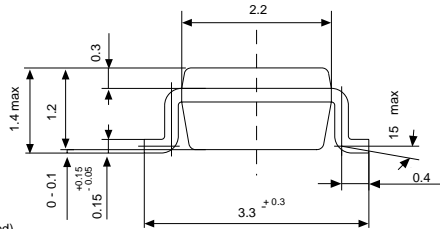
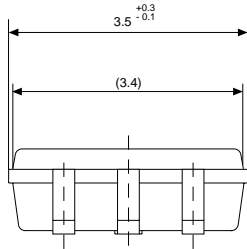
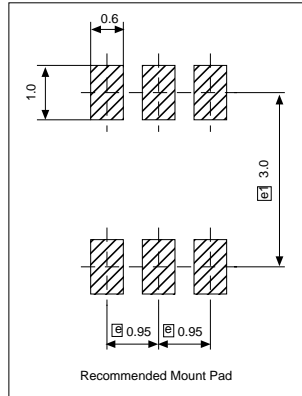
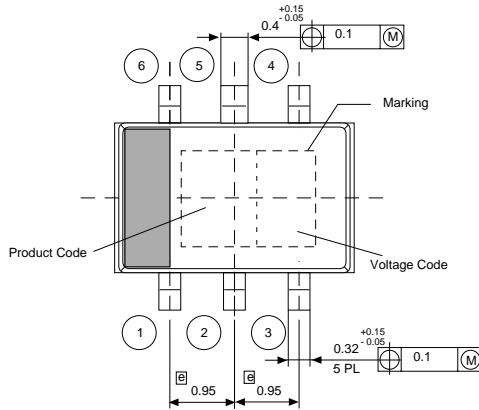


FIGURE 2: DEREGULATING DOUBLER

PACKAGE OUTLINE

SOT-23L-6



Dimensions are shown in millimeters
Tolerance: x.x = ± 0.2 mm (unless otherwise specified)

Marking Information

TK65018

Marking
xxx



Toko America, Inc. Headquarters
1250 Feehanville Drive, Mount Prospect, Illinois 60056
Tel: (847) 297-0070 Fax: (847) 699-7864

TOKO AMERICA REGIONAL OFFICES

Midwest Regional Office
Toko America, Inc.
1250 Feehanville Drive
Mount Prospect, IL 60056
Tel: (847) 297-0070
Fax: (847) 699-7864

Western Regional Office
Toko America, Inc.
2480 North First Street, Suite 260
San Jose, CA 95131
Tel: (408) 432-8281
Fax: (408) 943-9790

Eastern Regional Office
Toko America, Inc.
107 Mill Plain Road
Danbury, CT 06811
Tel: (203) 748-6871
Fax: (203) 797-1223

Semiconductor Technical Support
Toko Design Center
4755 Forge Road
Colorado Springs, CO 80907
Tel: (719) 528-2200
Fax: (719) 528-2375

Visit our Internet site at <http://www.tokoam.com>

The information furnished by TOKO, Inc. is believed to be accurate and reliable. However, TOKO reserves the right to make changes or improvements in the design, specification or manufacture of its products without further notice. TOKO does not assume any liability arising from the application or use of any product or circuit described herein, nor for any infringements of patents or other rights of third parties which may result from the use of its products. No license is granted by implication or otherwise under any patent or patent rights of TOKO, Inc.