

FEATURES

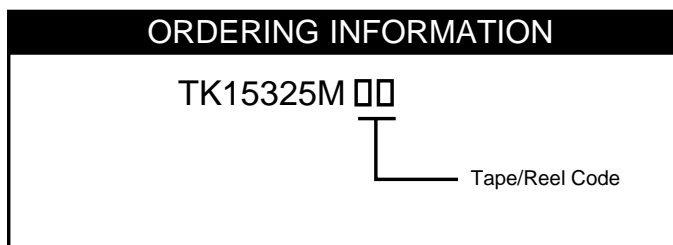
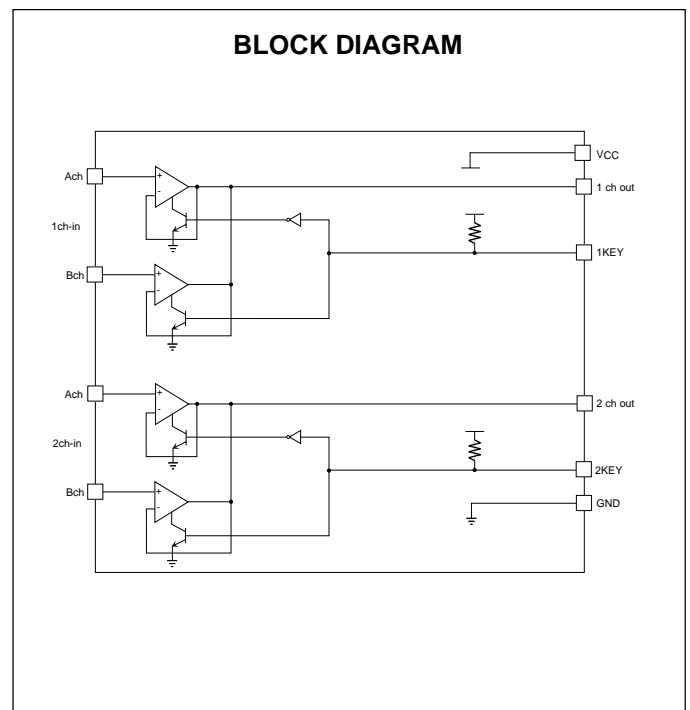
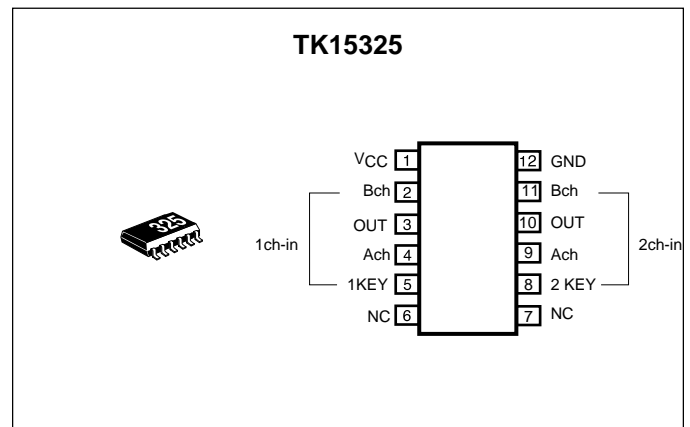
- Wide Operating Voltage Range (± 3 to ± 7 V)
- Low Distortion (typ. 0.003%)
- Wide Dynamic Range (typ. 6 V_{P-P})
- Low Output Impedance (typ. 20 Ω)
- Low Switching Noise (typ. 3 mV)

APPLICATIONS

- Audio Systems
- Radio Cassettes

DESCRIPTION

The TK15325M is an Analog Switch IC that was developed for audio frequency. Function is to select one output from two inputs in a device that includes two circuits, and the channel can be changed by low level. The TK15325M has a dual power supply and the input bias is direct coupling at GND level. Because the distortion is very low, the TK15325M fits various signals switching. It is best suited for Hi-Fi devices. Operating voltage is wide, the circuit plan is simple. The TK15325M is available in a small plastic surface mount package (SSOP-12).



TAPE/REEL CODE
TL: Tape Left

TK15325

ABSOLUTE MAXIMUM RATINGS

Supply Voltage ± 7.5 V
 Power Dissipation (Note 5) 350 mW
 Storage Temperature Range -55 to $+150$ °C
 Operating Temperature Range -20 to $+75$ °C
CONTROL SECTION
 Input Voltage -0.3 V to $V_{CC} + 0.3$ V

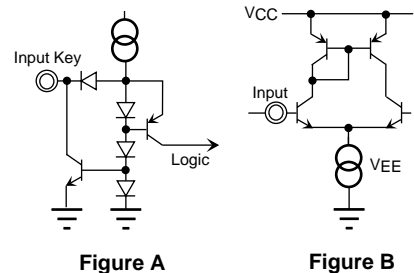
ANALOG SWITCH SECTION
 Signal Input Voltage $V_{EE} - 0.3$ to $V_{CC} + 0.3$
 Signal Output Current 3 mA
 Operating Voltage Range ± 3 to ± 7 V
 Maximum Input Frequency 100 kHz

TK15325M ELECTRICAL CHARACTERISTICS

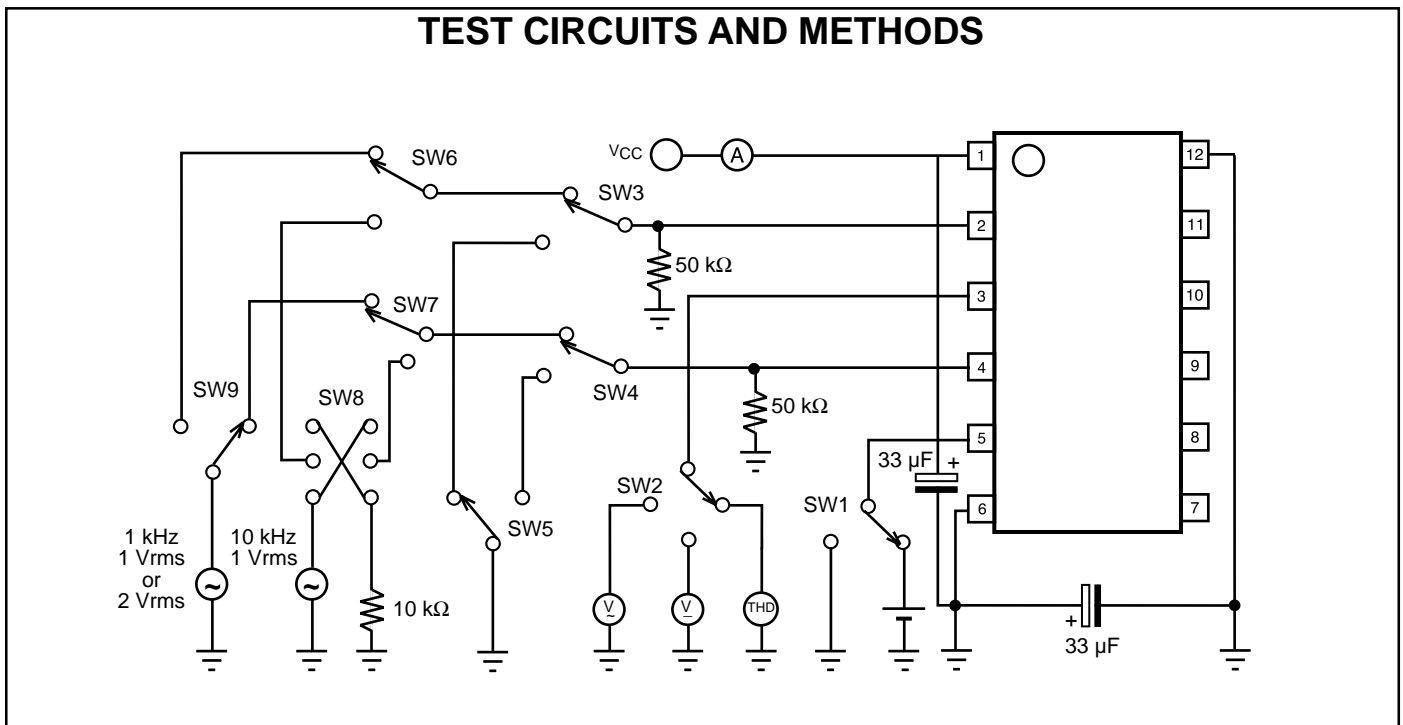
Test conditions: $V_{CC} = \pm 4$ V, $T_A = 25$ °C, unless otherwise specified.

SYMBOL	PARAMETER	TEST CONDITIONS	MIN	TYP	MAX	UNITS
I_{CC}	Supply Current			3.2	5.2	mA
KEY CONTROL SECTION						
V_{IL}	Input Voltage Low Level	Note 1	-0.3		+0.8	V
V_{IH}	Input Voltage High Level		1.8		$V_{CC} + 0.3$	V
I_{OKEY}	Output Current	To GND			30	μ A
I_{IKEY}	Inflow Current	From V_{CC}			30	μ A
ANALOG SWITCH SECTION						
THD	Total Harmonic Distortion	$V_{IN} = 1$ Vrms, $f = 1$ kHz		0.003	0.006	%
N_L	Residual Noise	Note 2			10	μ Vrms
ISO	Isolation	$V_{IN} = 1$ Vrms, $F = 10$ kHz, Note 3			-75	dB
SEP	Separation	$V_{IN} = 1$ Vrms, $f = 10$ kHz, Note 3			-80	dB
DYN	Maximum Input Signal Level	$f = 1$ kHz, THD = 0.1%	2.0			Vrms
GVA	Voltage Gain	$f = \sim 20$ kHz		0		dB
V_{cent}	Input-Output Terminal Voltage		-0.2	0	+0.2	V
ΔV_{cent}	Output Terminal Voltage Difference	Between same channel		3	13	mV
I_{IN}	Input Bias Current	Note 4		0.5		μ A
Z_{OUT}	Output Impedance	DC Impedance		20		Ω

- Note 1: The KEY input equivalent circuit is shown in Figure A. 1 channel and 2 channel is the separate action by 1Key pin and 2 key pin. When the control pin is open, it is outputted high level (about 1.4 V). Then the A channel input signal is outputted. The change is carried out at low level.
- Note 2: The specification means a value as measurement-input terminal connects to ground through a capacitor.
- Note 3: ISO is a cross talk between A channel and B channel, SEP is a cross talk between 1 channel and 2 channel. The specification means a value as measurement-input terminal connects to ground through 10 k Ω resistor and capacitor.
- Note 4: Input equivalent circuit is shown in Figure B. The standard application of TK15325M is the direct connecting. When connecting a capacitor, supplying a bias voltage from outside is unnecessary.
- Note 5: Power dissipation is 350 mW when mounted as recommended. Derate at 3.0 mW/°C for operation above 25°C.



TEST CIRCUITS AND METHODS



SUPPLY CURRENT (FIGURE 1)

This current is a consumption current with a nonloading condition.

- 1) Bias supply to Pins 2,4,9,11. (This condition is the same with other measurements, omitted from the next for simplicity)
- 2) Measure the inflow current to Pin 1 from V_{CC} . This current is the supply current.

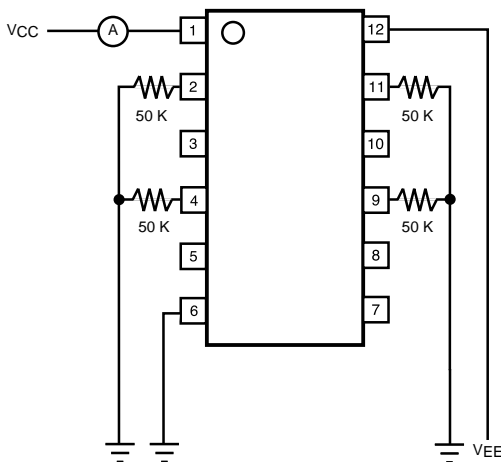


Figure 1

CONTROL LOW/HIGH LEVEL (FIGURE 2)

This level is to measure the threshold level.

- 1) Input, the V_{CC} to Pin 1 and input V_{EE} to Pin 12. (This condition is the same with other measurements, omitted from the next for simplicity)
- 2) Input to Pin 4 with sine wave ($f = 1 \text{ kHz}$, $V_{IN} = 1 \text{ Vrms}$).
- 3) Connect an oscilloscope to Pin 3.
- 4) Drop the control voltage gradually from 0 V until the sine wave appears at the oscilloscope. This voltage is the threshold level when the wave appears.

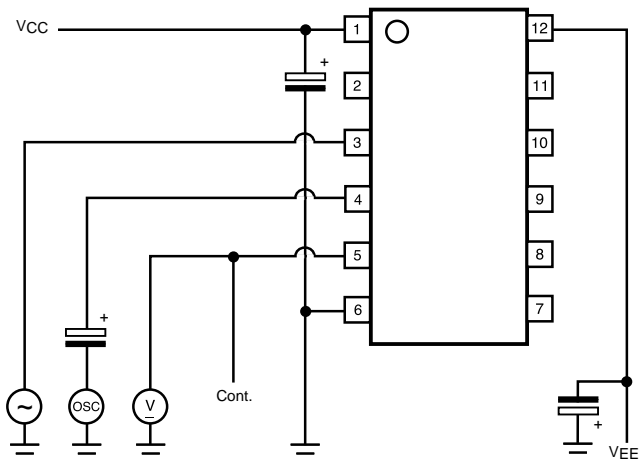


Figure 2

TEST CIRCUITS AND METHODS (CONT.)

CONTROL OUTFLOW/INFLOW CURRENT (FIGURE 3)

This current means maximum current with the control.

- 1) Measure the current from Pin 5 to GND.
This current is the outflow current.
- 2) Next, measure the current from V_{CC} to Pin 5.
This current is the inflow current.

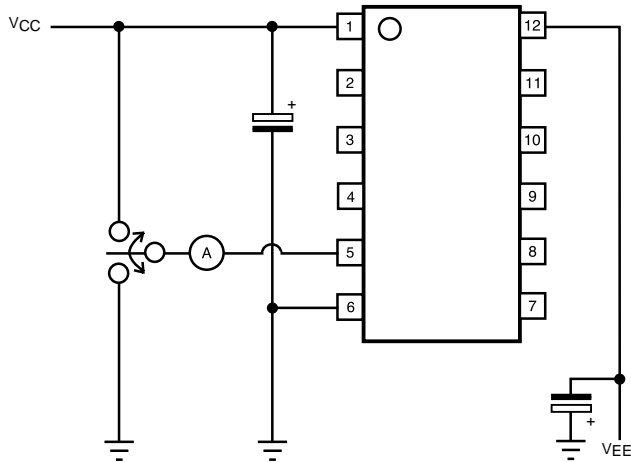


Figure 3

TOTAL HARMONIC DISTORTION (FIGURE 4)

Use the lower distortion oscillator for this measurement because distortion of the TK15325 is very low.

- 1) Pin 5 is in the open condition, or high level.
- 2) Connect a distortion analyzer to Pin 3.
- 3) Input the sine wave (1 kHz, 1 Vrms) to Pin 4.
- 4) Measure the distortion of Pin 3. This value is the distortion of 1-Ach.
- 5) Next connect Pin 5 to the GND, or low level.
- 6) Input the same sine wave to Pin 2.
- 7) Measure in the same way. This value is the distortion of 1-Bch.

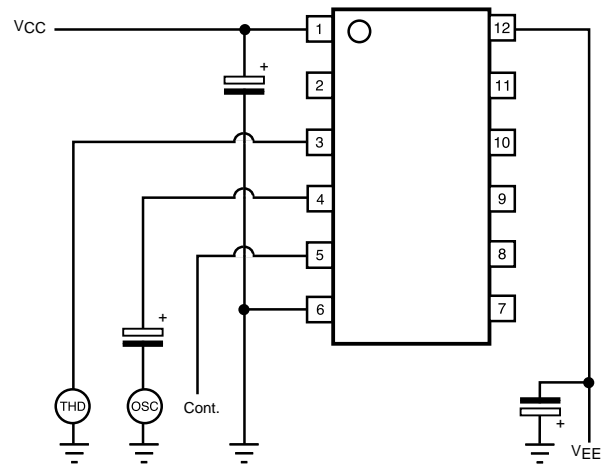


Figure 4

VOLTAGE GAIN (FIGURE 5)

This is the output level against input level.

- 1) Pin 5 is in the open condition, or high level.
- 2) Connect AC volt meters to Pin 4 and Pin 3.
(Using the same type meter is best)
- 3) Input a sine wave ($f = \max. 20 \text{ kHz}$, 1 Vrms) to Pin 4.
- 4) Measure the level of Pin 4 and name this $V1$.
- 5) Measure the level of Pin 3 and name this $V2$.
- 6) Calculate $\text{Gain} = 20 \text{ Log} ((|V2 - V1|)/V1)$
 $V1 < V2 + \text{Gain}$, $V1 > V2 - \text{Gain}$
This value is the voltage gain of 1-Ach.
- 7) Next, connect Pin 5 to the GND, or low level.
- 8) Input the same sine wave to Pin 2.
- 9) Measure and calculate in the same way.
This value is the maximum input level of 1-Bch.

TEST CIRCUITS AND METHODS (CONT.)

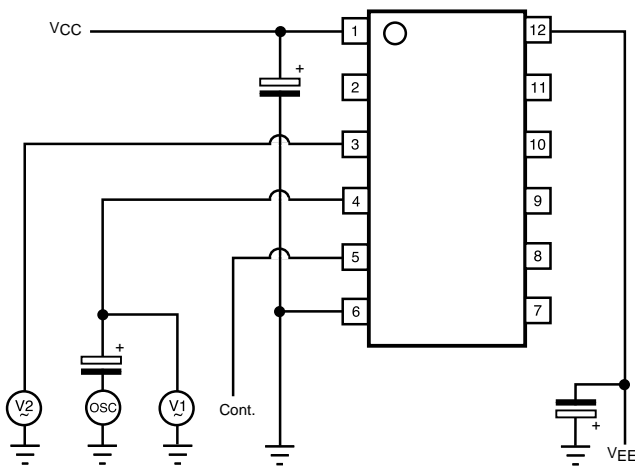


Figure 5

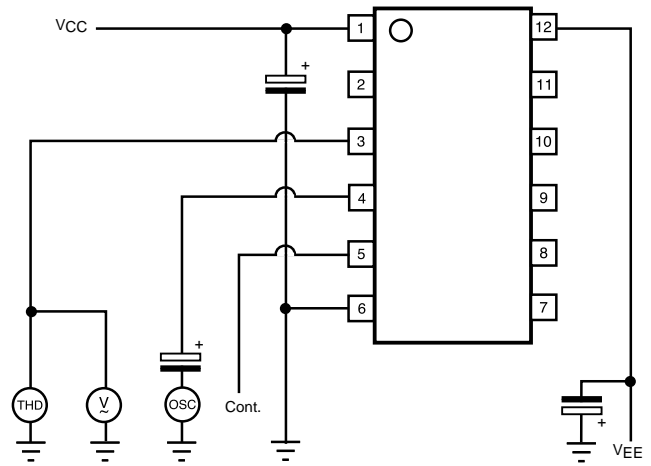


Figure 6

MAXIMUM INPUT LEVEL (FIGURE 6)

This measurement measures at output side.

- 1) Pin 5 is in the open condition, or high level.
- 2) Connect a distortion analyzer and an AC volt meter to Pin 3.
- 3) Input a sine wave (1 kHz) to Pin 4 and elevate the voltage gradually until the distortion gets to 0.1%.
- 4) When the distortion amounts to 0.1%, stop elevating and measure the AC level of Pin 3.
This value is the maximum input level of 1-Ach.
- 5) Next, connect Pin 5 to the GND, or low level.
- 6) Input the same sine wave to Pin 2.
- 7) Measure in the same way.
This value is the maximum input level of 1-Bch.

RESIDUAL NOISE (FIGURE 7)

This value is not S/N ratio. This is a noise which occurs from the device itself.

- 1) Pin 5 is the open condition, or high level.
- 2) Connect an AC volt meter to Pin 3.
- 3) Connect a capacitor from Pin 4 to GND.
- 4) Measure AC voltage of Pin 3. This value is the noise of 1-Ach. If the influence of noise from outside exists, use optional filters.
- 5) Next, connect Pin 5 to the GND, or low level.
- 6) Connect to GND through a capacitor from Pin 2.
- 7) Measure in the same way.
This value is the noise level of 1-Bch.

TEST CIRCUITS AND METHODS (CONT.)

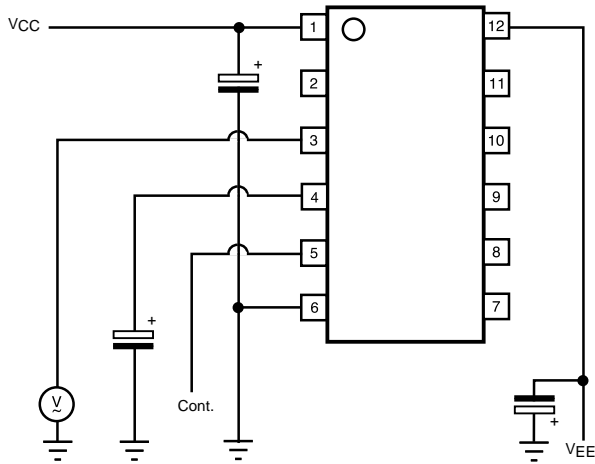


Figure 7

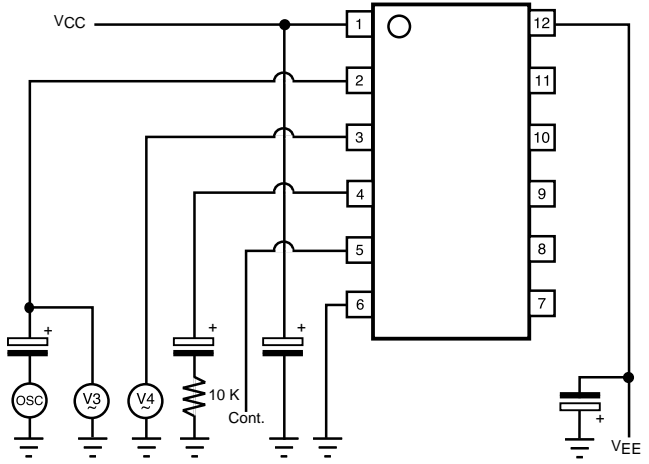


Figure 8

ISOLATION (FIGURE 8)

This is the cross talk between Ach and Bch.

- 1) Pin 5 is in the open condition, or high level.
- 2) Connect AC volt meters to Pin 2 and Pin 3.
- 3) Connect a capacitor and a resistance to GND from Pin 4.
- 4) Input a sine wave (10 kHz, 1 Vrms) to Pin 2.
- 5) Measure the level of Pin 2 and name this V3.
- 6) Measure the level of Pin 3 and name this V4.
- 7) Calculate:

$$ISO = 20 \text{ Log } (V4 / V3)$$
 This value is the isolation to Ach from Bch.
- 8) Next, connect Pin 5 to the GND, or low level.
- 9) Change line of Pin 2 and Pin 4.
- 10) Input the same sine wave to Pin 4.
- 11) Measure and calculate in the same way.
 This value is the isolation to Bch from Ach.

SEPARATION (FIGURE 9)

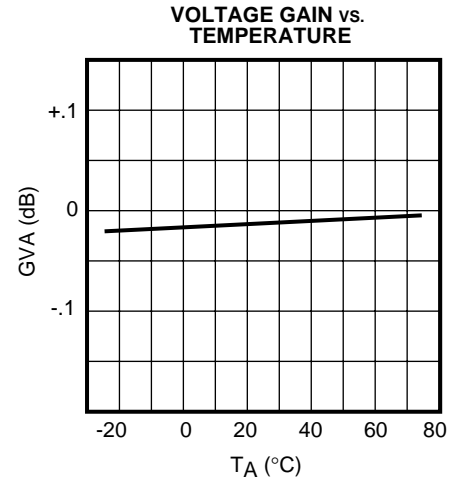
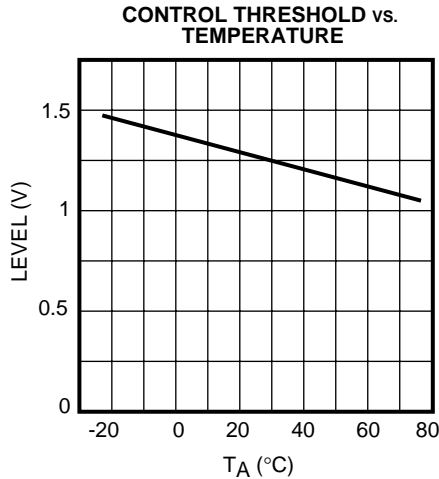
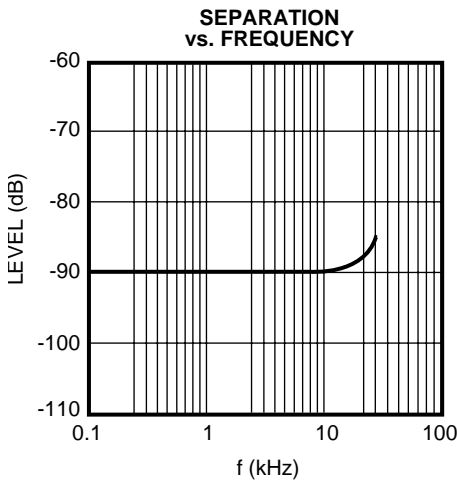
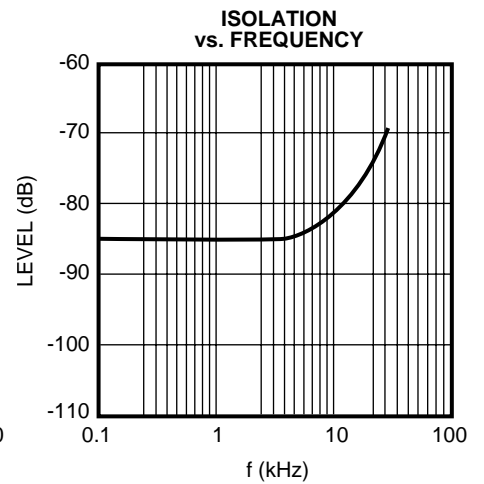
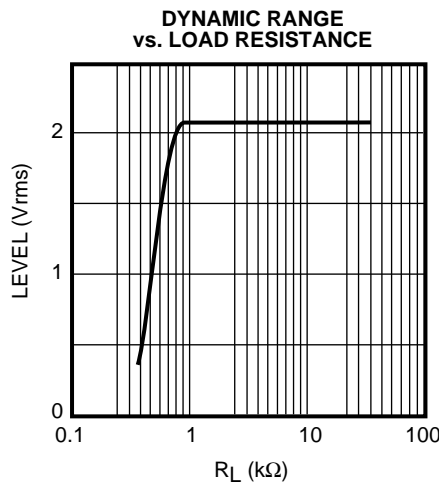
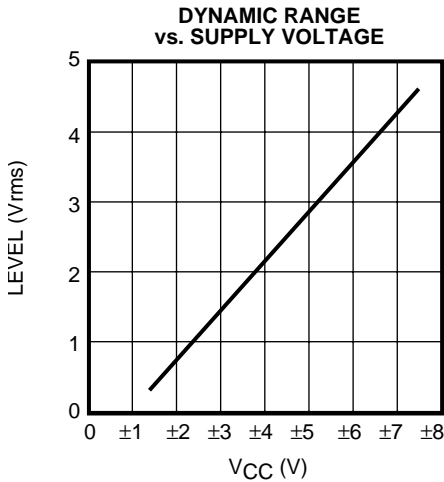
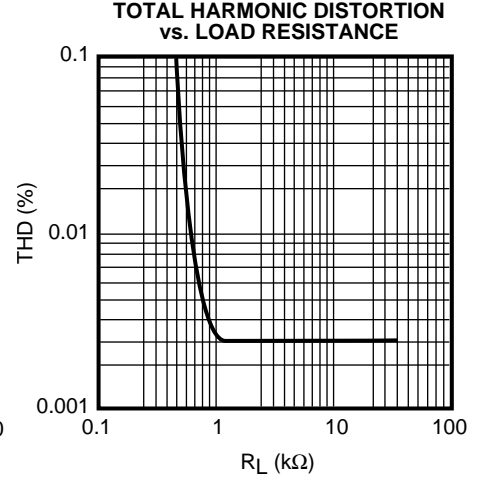
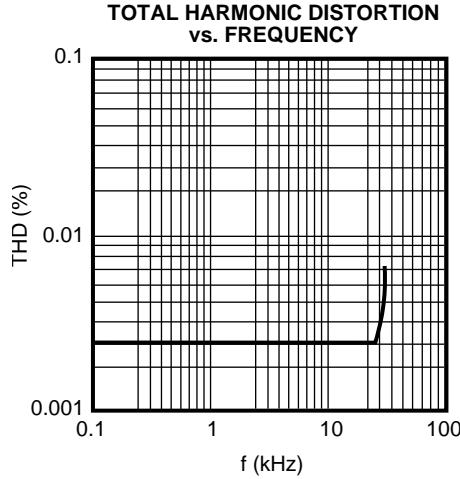
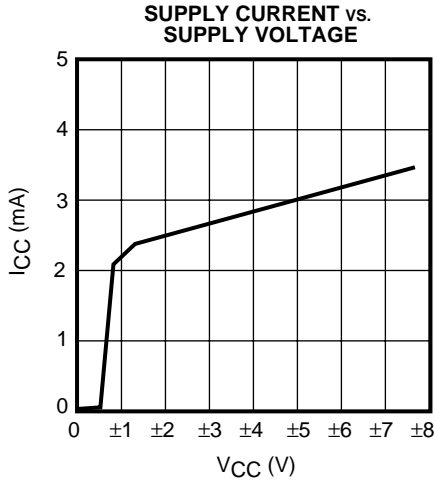
This is the cross talk between 1ch and 2ch.

- 1) Control level is free for Pin 5 and Pin 8.
- 2) Connect AC volt meters to Pin 4 (or Pin 2) and Pin 10.
- 3) Connect Pin 9 and Pin 11 to GND through capacitors and a resistance.
- 4) Input a sine wave (10 kHz, 1 Vrms) to Pin 2 and Pin 4.
- 5) Measure the level of Pin 4 and name this V5.
- 6) Measure the level of Pin 10 and name this V6.
- 7) Calculate:

$$SEP = 20 \text{ Log } (V6 / V5)$$
 This value is the separation to 2ch from 1ch.

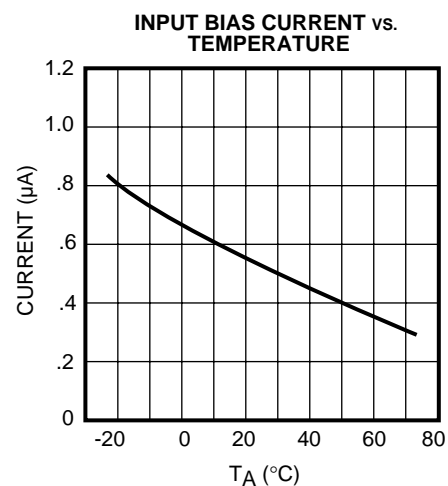
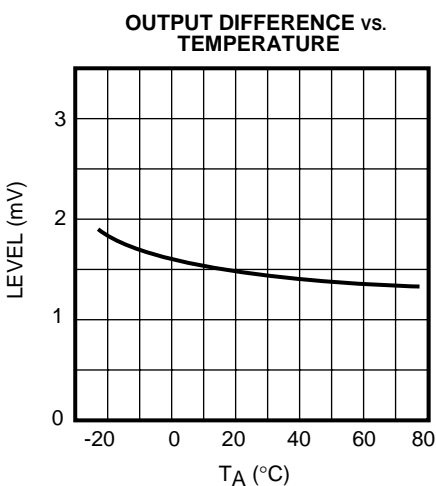
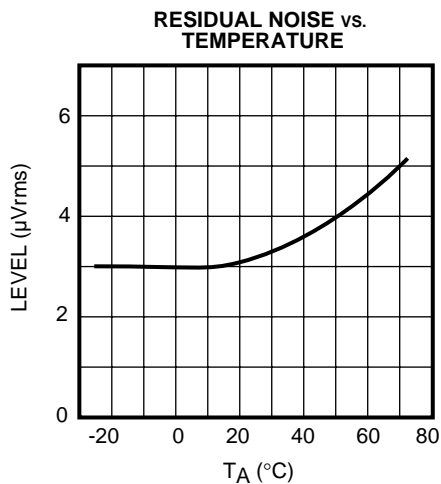
TYPICAL PERFORMANCE CHARACTERISTICS

$V_{CC} = 8\text{ V}$, $T_A = 25\text{ }^\circ\text{C}$, unless otherwise specified.



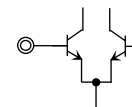
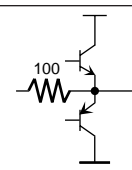
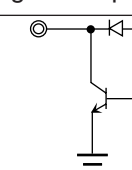
TYPICAL PERFORMANCE CHARACTERISTICS (CONT.)

$V_{CC} = 8\text{ V}$, $T_A = 25\text{ }^\circ\text{C}$, unless otherwise specified.



TERMINAL VOLTAGE AND CIRCUIT

Condition: $V_{CC} = +4\text{ V}$, $V_{EE} = -4\text{ V}$.

PIN NO.	ASSIGNMENT	DC VOLTAGE	CIRCUIT/FUNCTION
1	V_{CC}	+4 V	+Supply Voltage Pin
2 4 9 11	IN A, IN B Input: Open Input: 0 V	Floating 0 V	 Signal Input Pin
3 10	OUT Input: Open Input: 0 V	-3.3 V 0 V	 Signal Output Pin
5 8	KEY	1.4 V	 Control Pin
6	GND	0 V	Ground Pin
7	NC	Floating	No Contact Pin
12	V_{EE}	-4 V	-Supply Voltage Pin

APPLICATION INFORMATION

KEY INPUT CIRCUIT

1ch and 2ch is separate action by each control keys. Figure 11 is an equivalence circuit of key input. When terminal of key is the open, is outputting high level (about 1.4 V), and then Ach input signal is outputted. The channel at TK15325M can be changed by low level. When a control terminal is operated to low function, sometimes may flows out maximum values about 30 μ A as current from the terminal. For this reason, use a resistance which does not exceed 0.8 V value when attaching a resistance to the outside and make low condition.

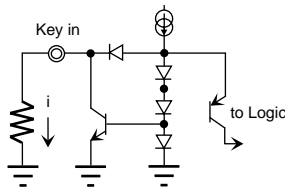


Figure 11

SWITCHING TIME

This time is the signal change response time compared to the control key input signal. Figure 12 illustrates the timing chart. $T = 2 \mu$ s typically.

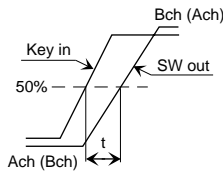


Figure 12

APPLICATION

Figure 13 illustrates an example of a typical application. The standard application is to use direct coupling at the inputs and outputs of the TK15325M. For characteristics of distortion and dynamic range versus R_L , refer to the graphs in the Typical Performance Characteristics. The TK15325M can be used at the capacitor coupling too, but then the bias supply is necessary from outside.

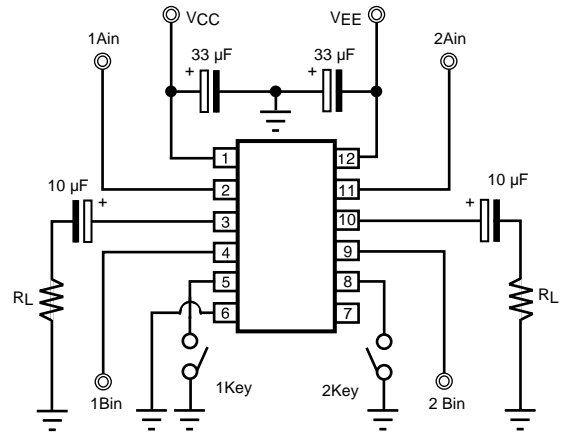


Figure 13

CROSS TALK (ISOLATION AND SEPARATION)

Figure 14 is an example of a layout pattern. As the TK15325M is a direct coupling type, the influence by applications is not almost. But, if it is coupled at the capacitor, by high impedance at input, capacitors accomplishes the antenna action each other. Then in case its parts are bigger, and the space between capacitors is too narrow, cross talk will increase. Therefore, when designing the print circuit pattern, separate the input capacitors as far as possible and use smaller parts. (e.g., surface mount type)

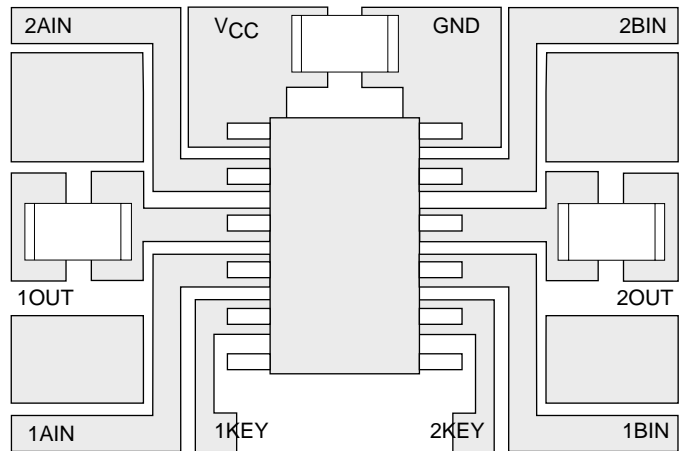


Figure 14

APPLICATION INFORMATION (CONT.)

OUTPUT TERMINAL VOLTAGE DIFFERENCE

This parameter is the output voltage difference between Ach and Bch, and appears when the channel changes from Ach to Bch, or changes to the reverse. Generally, this is called Switching Noise or Pop Noise. If this value is big and if this noise is amplified by the final amplifier and is outputted by the speakers, then it appears as a Shock Sound. Output terminal voltage difference of the TK15325M is a value that adds the internal bias difference and the off-set voltage difference. The value of the TK15325M is very small; its maximum value is 3 mV. So almost the output bias difference will be decided by the supply bias difference. Toko can offer the "Muting IC" if users wish to mute Switching Noise.

DIRECT TOUCH

The signal input terminals:

Internal circuits are operated by constant current circuit, even if V_{CC} or GND is contacted, damage does not occur.

The signal output terminal:

Outflow or inflow current is decided by ability of final transistor, but protection circuit is not attached. If GND or V_{CC} are contacted damage may occur. Pay attention to long time contact. Do not supply over the maximum rating.

Referenced to GND, do not provide to all terminals over $V_{CC} + 0.3$ V or -0.3 V.

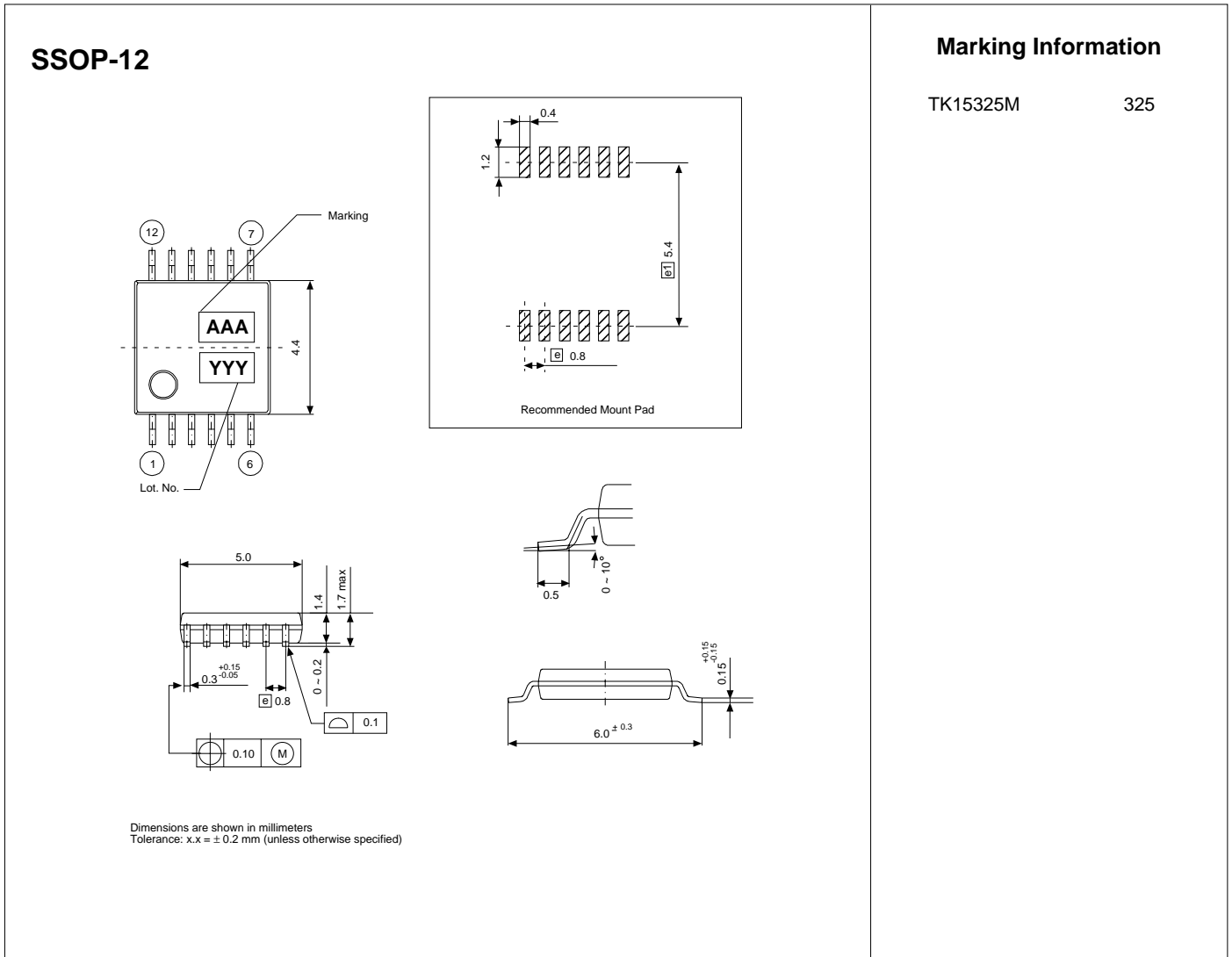
DC SIGNAL INPUT

The output of the TK15325M has a saturation voltage (both V_{CC} and V_{EE} sides about 1.0 V); accordingly the use of a DC signal is not recommend (e.g., the pulse signal etc.)

NC TERMINAL

NC terminals are not wired inside IC by bonding wire. NC terminals are not tested so do not connect at outside.

PACKAGE OUTLINE



Toko America, Inc. Headquarters
1250 Feehanville Drive, Mount Prospect, Illinois 60056
Tel: (847) 297-0070 Fax: (847) 699-7864

TOKO AMERICA REGIONAL OFFICES

Midwest Regional Office
Toko America, Inc.
1250 Feehanville Drive
Mount Prospect, IL 60056
Tel: (847) 297-0070
Fax: (847) 699-7864

Western Regional Office
Toko America, Inc.
2480 North First Street, Suite 260
San Jose, CA 95131
Tel: (408) 432-8281
Fax: (408) 943-9790

Eastern Regional Office
Toko America, Inc.
107 Mill Plain Road
Danbury, CT 06811
Tel: (203) 748-6871
Fax: (203) 797-1223

Semiconductor Technical Support
Toko Design Center
4755 Forge Road
Colorado Springs, CO 80907
Tel: (719) 528-2200
Fax: (719) 528-2375

Visit our Internet site at <http://www.tokoam.com>

The information furnished by TOKO, Inc. is believed to be accurate and reliable. However, TOKO reserves the right to make changes or improvements in the design, specification or manufacture of its products without further notice. TOKO does not assume any liability arising from the application or use of any product or circuit described herein, nor for any infringements of patents or other rights of third parties which may result from the use of its products. No license is granted by implication or otherwise under any patent or patent rights of TOKO, Inc.