



# STM1645-30

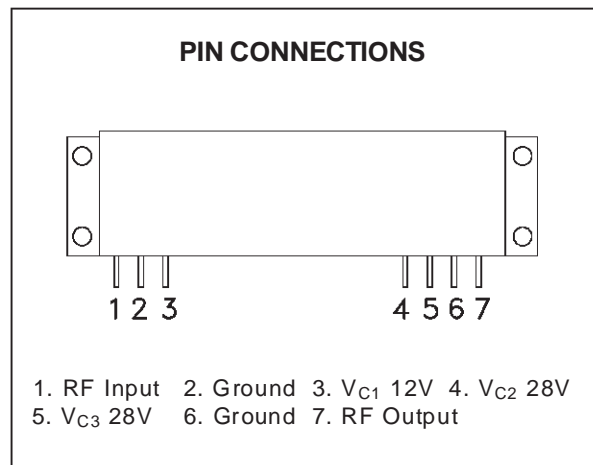
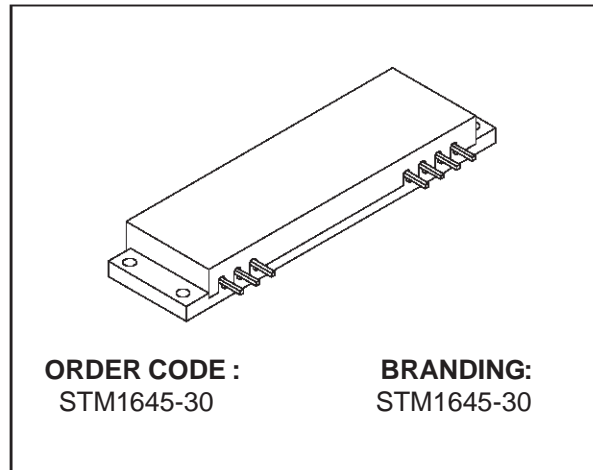
## RF POWER MODULE SATELLITE COMMUNICATION APPLICATIONS

- CLASS C SATELLITE COMMUNICATIONS AMPLIFIER
- 1625- 1665 MHz
- 12/28 VOLTS
- INPUT/OUTPUT 50 OHMS
- Pout = 30 W MIN.
- GAIN = 34.8 dB MIN.

### DESCRIPTION

The STM1645-30 hybrid RF Power Module is designed for high power satellite communication applications in the 1.6 GHz frequency range.

High  $f_T$ , gold metallized silicon microwave power devices, optimized for use in STM1645-30, are employed to provide high gain and efficiency while ensuring excellent reliability.



### ABSOLUTE MAXIMUM RATINGS (T<sub>case</sub> = 25 °C)

Symbol	Parameter	Value	Unit
V	DC Supply Voltage	30	Vdc
P <sub>IN</sub>	RF Input Power (P <sub>OUT</sub> ≤ 30 W)	20	mW
T <sub>STG</sub>	Storage Temperature Range	- 40 to + 100	°C
T <sub>C</sub>	Operating Case Temperature	-35 to + 70	°C

**ELECTRICAL SPECIFICATION** ( $T_{case} = 25\text{ }^{\circ}\text{C}$ ,  $V_{C1*} = 12\text{ V}$ ;  $V_{C2}, V_{C3} = 28\text{ V}$ )

Symbol	Parameter	Test Conditions	Min.	Typ.	Max	Unit
BW	Frequency Range		1625		1665	MHz
$P_{OUT}$	Power Output	$P_{IN} \leq 10\text{ W}$	30	35	40	W
$G_P$	Power Gain	$P_{OUT} = 30\text{ W}$	34.8	35.5		dB
$\eta$	Efficiency	$P_{OUT} = 30\text{ W}$	35			%
$Z_{IN}$	Input Impedance	$P_{OUT} = 30\text{ W}$ $Z_G, Z_L = 50\text{ }\Omega$		1.5:1	2:1	VSWR
H	Harmonics	$P_{OUT} = 30\text{ W}$ reference		-45	-40	dB
	$\Delta P_{OUT}$ vs $T_{CASE}$	$T_C = -35^{\circ}\text{C}$ to $+70^{\circ}\text{C}$ @ $P_{IN} = 10\text{mW}$			2	dB
	$\Delta P_{OUT}$ vs Frequency	$f = 1625 - 1665\text{ MHz}$			1	dB
	Load Mismatch	VSWR = 10:1 $V = 28\text{ Vdc}$ $P_{OUT} = 30\text{ W}$	No Degradation in Output Power			
	$P_{OUT}$ Control Range	$P_{OUT} = 30\text{ W}$	8	10		dB
	Stability	$P_{OUT} = 5$ to $30\text{ W}^{**}$ Load VSWR = 3:1 any phase	All Spurious Outputs More Than 60 dB Below Carrier			

**Note :**

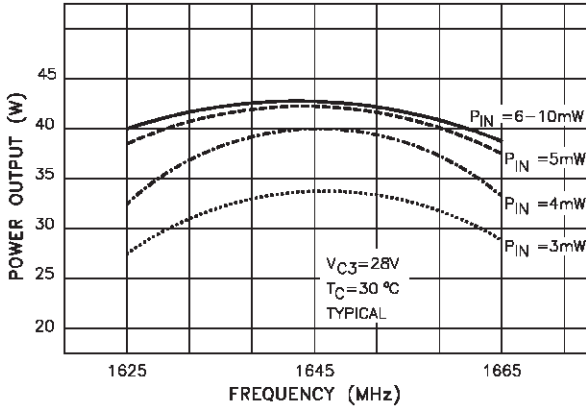
\*  $V_{C1} = 12\text{ V}$  regulated  $\pm 1\%$

\*\*  $P_{OUT}$  adjusted by varying  $V_{C3}$

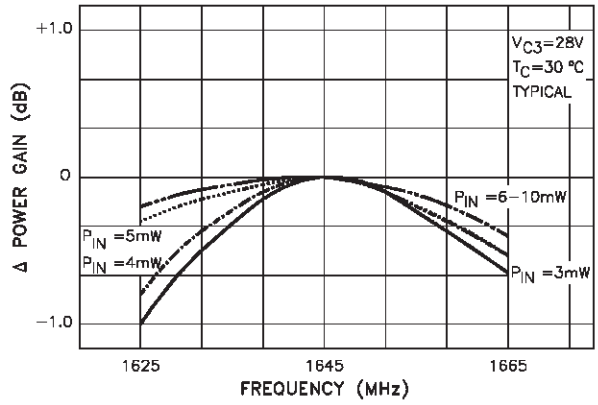
REF. 1015506I

TYPICAL PERFORMANCE

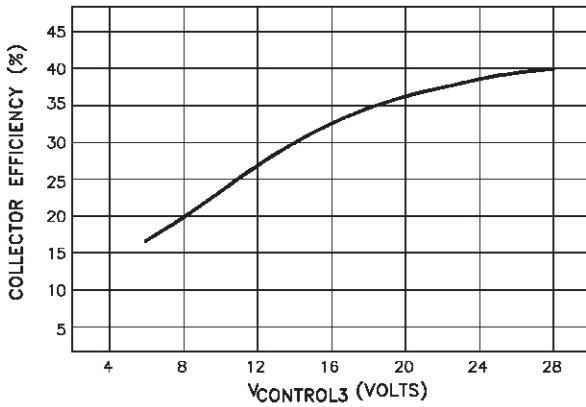
Power Output vs Frequency and Power Input



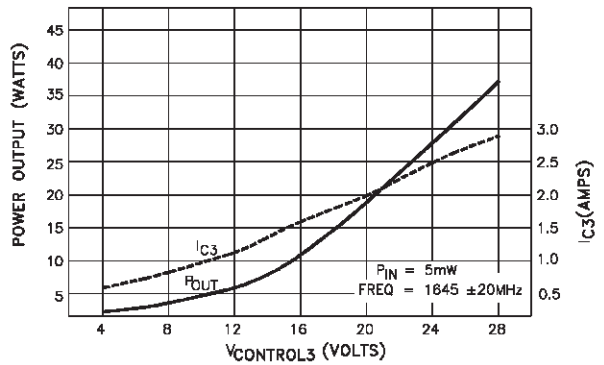
Power Gain vs Frequency and Power Input



$V_{CONTROL}$  vs Collector Efficiency



$V_{CONTROL}$  vs Power Output and  $I_{C3}$  (Typical)



### APPLICATIONS RECOMMENDATIONS

#### OPERATION LIMITS

The STM1645-30 power module should never be operated under any condition which exceeds the Absolute Maximum Ratings presented on this data sheet. Nor should the module be operated continuously at any of the specified maximum ratings. If the module is to be subjected to one or more of the maximum rating conditions, care must be taken to monitor other parameters which may be affected.

#### MODULE MOUNTING

To insure adequate thermal transfer from the module to the heatsink, it is recommended that a satisfactory thermal compound such as Dow Corning 340, Wakefield 120-2 or equivalent be applied between the module flange and the heatsink.

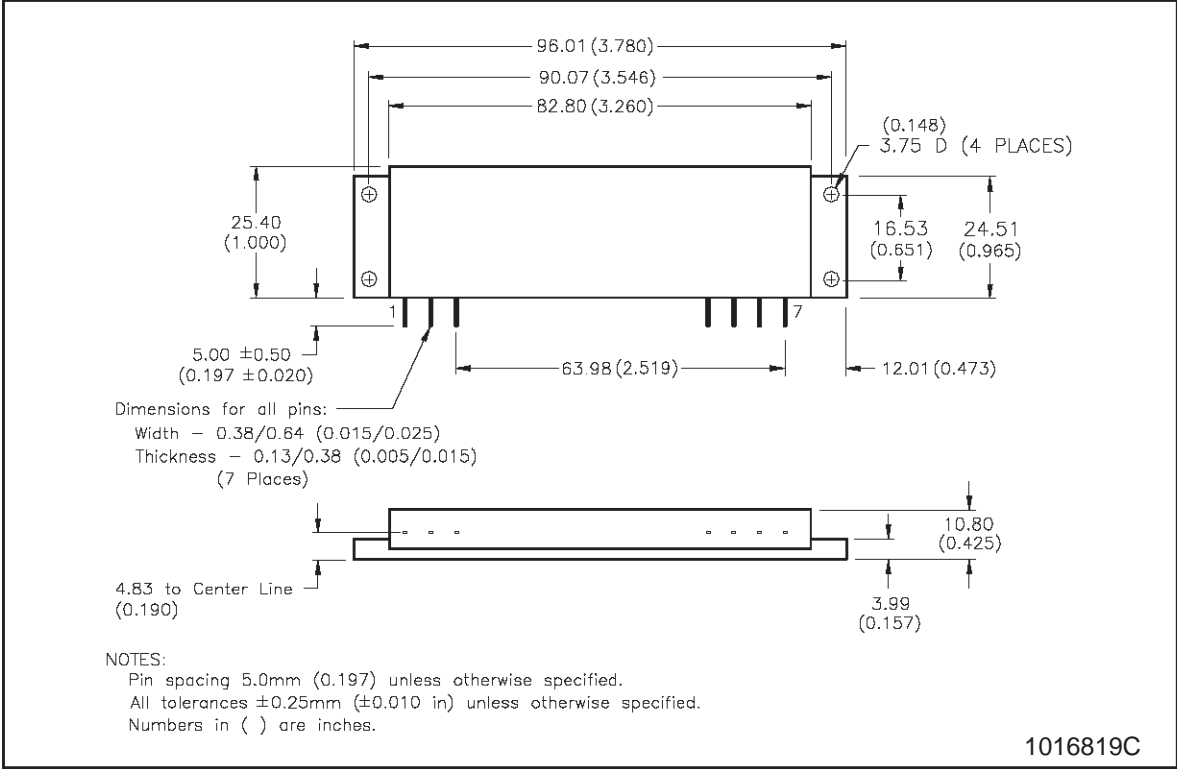
The heatsink mounting surface under the module should be flat to within  $\pm 0.05$  mm ( $\pm 0.002$  Inch).

The module should be mounted to the heatsink using 3.5 mm (or 6-32) or equivalent screws torqued to 5-6 Kg-cm (4-6 in-lb).

The module leads should be attached to equipment PC board using 180°C solder applied to leads with a properly grounded soldering iron tip, not to exceed 195 °C, applied a minimum of 2 mm (0.080 inch) from the body of the module for a duration not to exceed 15 seconds per lead. It is imperative that no other portion of the module, other than the leads, be subjected to temperature in excess of 100 °C (maximum storage temperature), for any period of time, as the plastic moulded cover, internal components and sealing adhesives may be adversely affected by such conditions.

Due to the construction techniques and materials used within the module, reflow soldering of the flange heatsink or leads, is not recommended.

**H160 MECHANICAL DATA**



1016819C

Information furnished is believed to be accurate and reliable. However, STMicroelectronics assumes no responsibility for the consequences of use of such information nor for any infringement of patents or other rights of third parties which may result from its use. No license is granted by implication or otherwise under any patent or patent rights of STMicroelectronics. Specification mentioned in this publication are subject to change without notice. This publication supersedes and replaces all information previously supplied. STMicroelectronics products are not authorized for use as critical components in life support devices or systems without express written approval of STMicroelectronics.

The ST logo is a trademark of STMicroelectronics

© 1999 STMicroelectronics – Printed in Italy – All Rights Reserved  
STMicroelectronics GROUP OF COMPANIES

Australia - Brazil - China - Finland - France - Germany - Hong Kong - India - Italy - Japan - Malaysia - Malta - Morocco -  
Singapore - Spain - Sweden - Switzerland - United Kingdom - U.S.A.

<http://www.st.com>