

SANYO

No. 4421

STK750-010**Chopper Regulator using MOS FET with Multi-Scan Support (1 A Output Current)**

Overview

These days, the variety of horizontal frequencies output from personal computers (PCs) include 15 kHz, 24 kHz, 31 kHz and even 33 kHz. These differences are dependent on the device and maker, and the market itself contains many PCs and a wide array of frequencies; in other word, the need to remain compatible is stronger than ever. As the number of video signal formats created with new-media devices becomes more diversified, the search for circuit technology capable of supporting such a wide range of scanning frequencies (multiscan support) becomes even harder.

The STK750-010 is a chopper regulator using MOS FET with multi-scan support. This IC is also designed for output voltage variable control supporting a wide range of horizontal frequencies. For these reasons, the STK750-010 helps reduce streamlined power supply designs, shorten overall development time, and reduce total costs while providing high-precision CRT display performance with the highest quality.

Applications

- Multi-scan supporting CRT displays (secondary voltage variable regulator)

Features

- High efficiency (97%) provided by power MOS FET. Compared with bi-polar chopper regulators used until now, power dissipation is less than half while supporting compact heat sink and lighter weight design.
- Multi-scan support (output voltage variability). Supports horizontal frequency external control.
- Wider output voltage control range (50 to 130 V), compared with dropper type ICs used until now. The resonance condenser changeover circuit and the vertical dummy coil changeover circuit of horizontal deflection coil are eliminated within the horizontal autoscan circuit.
- IC operating frequency supports horizontal frequency synchronization.
- Standard chopper type eliminates need for complicated transformers and supports choke coil applications.

Specifications

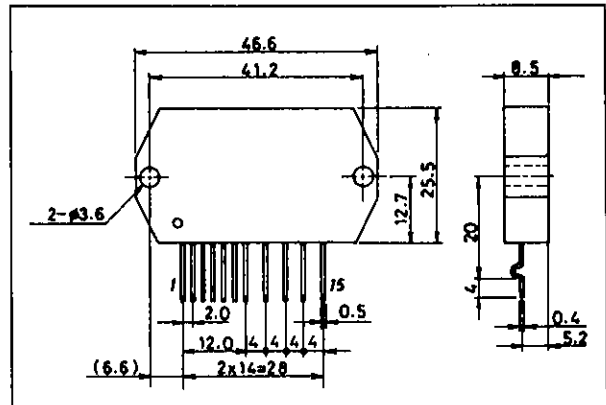
Maximum Ratings at Ta = 25°C

			unit
Maximum DC input voltage	Vin (DC) max	190	V
Maximum output current	Io max	1	A
Thermal resistance	θj-c	2.5	°C/W
Junction temperature	Tj max	150	°C
Operating substrate temperature	Tc max	105	°C
Storage temperature	Tstg	-30 to +105	°C

Package Dimensions

unit : mm

4136

**SANYO Electric Co., Ltd. Semiconductor Business Headquarters**

TOKYO OFFICE Tokyo Bldg., 1-10, 1 Chome, Ueno, Taito-ku, TOKYO, 110 JAPAN

31293YO 5-3108 No.4421-1/8

STK750-010

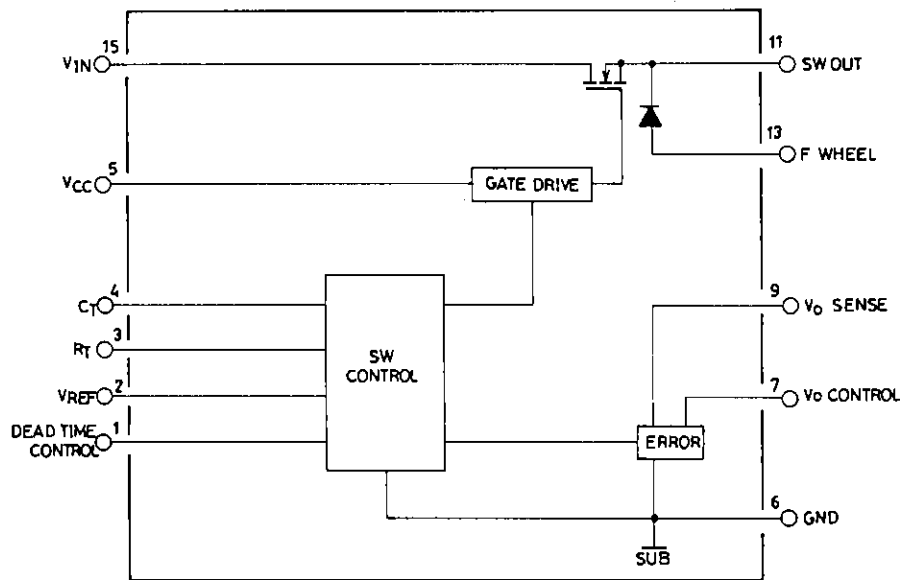
Recommended Operating Conditions at Ta = 25°C

				unit
V _{IN} voltage	V _{in}		165 to 175	V
V _{CC} voltage	V _{CC}		11 to 13	V
Error amplifier input voltage	V _{amp}	7 pin	-0.3 to V _{CC} -2	V
Timing condenser	G _T	4 pin	0.47 to 10000	nF
Timing resistor	R _T	3 pin	1.8 to 500	kΩ
Oscillation frequency	f _{osc}		20 to 100	kHz
Maximum duty	D max		90	%

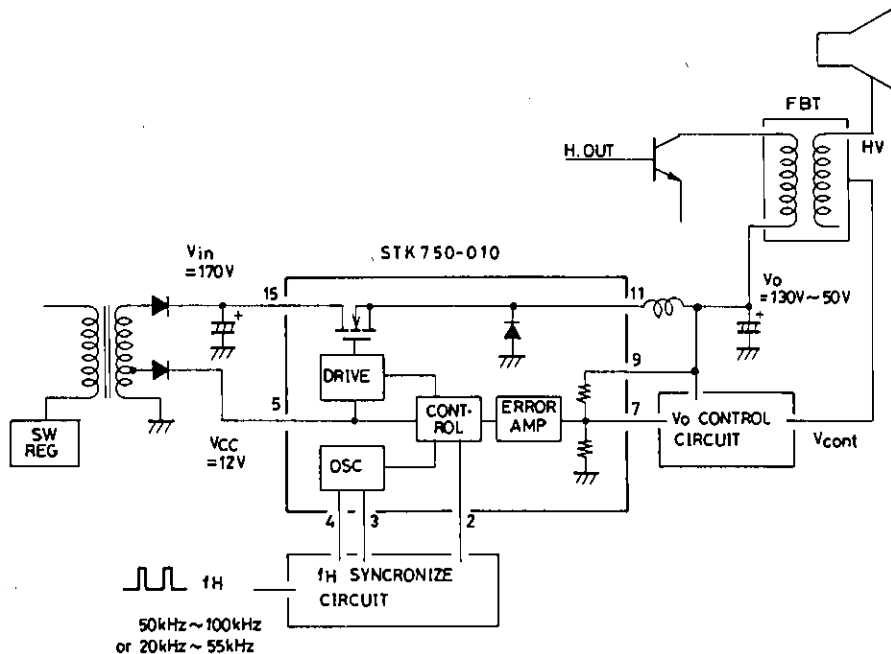
Operating Characteristics at Ta = 25°C, see specified Test Circuit, f = 50kHz

			min	typ	max	unit
Output voltage	V _o	V _{in} (DC) = 170V, I _o = 0.5A		130±1.5		V
Input regulation	Reg-IN	V _{in} (DC) = 160 to 180V, I _o = 0.5A			0.05	V/V
Load regulation	Reg-L	V _{in} (DC) = 170V, I _o = 0.2 to 1A			0.5	V/A
Efficiency	η	V _{in} (DC) = 170V, I _o = 0.5A		97		%
Output voltage temperature coefficient	T _{CVO}	V _{in} (DC) = 170V, I _o = 0.5A		17		mV/°C

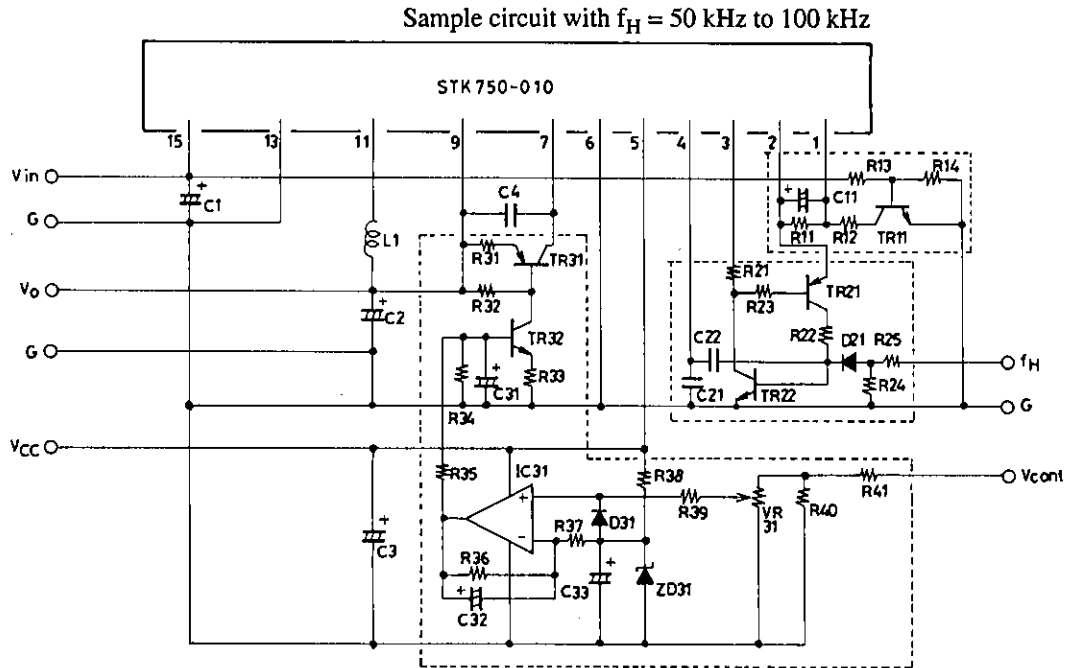
Block Diagram



Application Circuit Block Diagram



Test Circuit



C1	220 μ F / 200V	R11	130k Ω	TR11	2SC2274F	L1	4.8mH
C2	220 μ F / 200V	R12	8.2k Ω	TR21	2SA984F		
C3	10 μ F / 25V	R13	470k Ω	TR22	2SC2274F		
C4	0.047 μ F / 250V	R14	10k Ω	TR31	2SA1209S		
C11	22 μ F / 25V	R21	2.0k Ω	TR32	2SC2911S		
C21	2200pF	R22	47k Ω				
C22	4700pF	R23	30k Ω				
C31	22 μ F / 25V	R24	1k Ω	IC31	LA6358		
C32	10 μ F / 50V (N. P.)	R25	100k Ω	D21	GMA01		
C33	10 μ F / 25V	R31	56k Ω	D31	GMA01		
		R32	100k Ω	ZD31	GZA5.6X		
		R33	3.9k Ω				
		R34	10k Ω				
		R35	1k Ω				
		R36	100k Ω				
		R37	4.7k Ω				
		R38	4.7k Ω				
		R39	100 Ω				
		R40	330k Ω				
		R41	10k Ω				
		VR31	500k Ω				

Description of Circuit Operations

1. Reference Voltage Circuit (REF REG.)

Reference voltage outputs at 5 V with built-in oscillator and protection circuits.

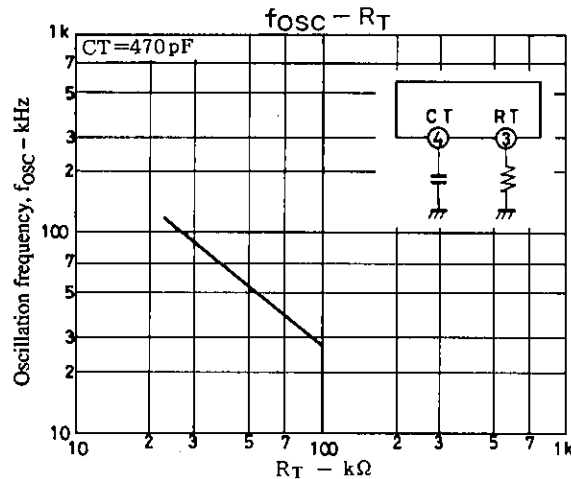
2. Oscillator (OSC)

When C and R are externally connected, self-oscillation of saw-tooth-wave forms begins. Charge current flows from the CT pin (pin 4) to the condenser and when the CT pin reaches approximately 3 V, the discharge transistor switches on and CT pin voltage drops to zero and one cycle ends. Charge current is determined by the current flowing to the external resistor connected to the RT pin (pin 3).

Oscillation frequency is determined approximately according to the following equation:

$$f = \frac{1.2}{C_T \cdot R_T} \text{ [kHz]}$$

$C_T : \mu\text{F}$
 $R_T : \text{k}\Omega$



3. Error Amplifier

Because the power supply error amplifier is supplied directly from V_{CC}, the common mode input voltage range is between -0.3 V and V_{CC} - 2 V. Figure 1 illustrates the equivalent circuit.

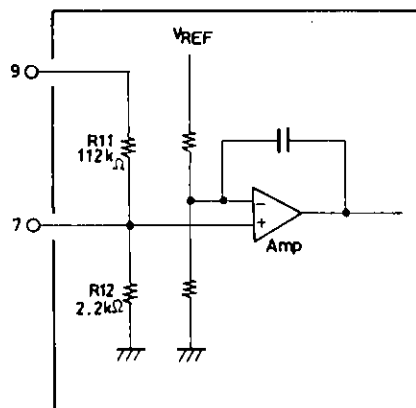


Fig. 1

When output voltage is set to V_O, approximations are determined using the following equation:

$$V_O = V_{REF'} \times \frac{R_{11} + R_{12}}{R_{12}} \quad V_{REF'} = 2.5V$$

Supported Functions

1. Oscillation Circuit

When all devices are synchronized to the clock cycle, a circuit diagram similar to that shown in figure 2 can be synchronized.

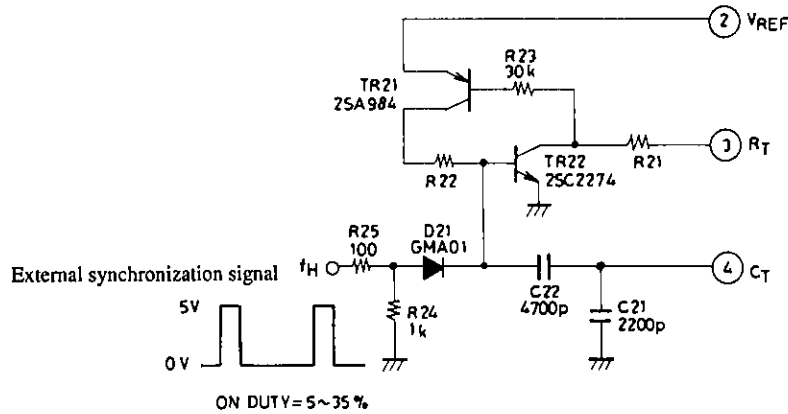


Fig. 2

Unit (resistance: Ω, capacitance: F)

Item	R21	R22	f _{OSC}	External Synchronization Support Range f _H
EX1	2.4k	39k	45kHz	48k to 100kHz
EX2	3.3k	47k	37kHz	39k to 81kHz
EX3	4.3k	68k	28kHz	29k to 65kHz
EX4	5.1k	120k	18kHz	19k to 56kHz

2. Dead-time Adjustment Circuit (DT Pin)

Soft Start Circuit

R11 and R12 are dead-time setting resistors and vary DC input voltage. By modifying the slice level of the sawtooth wave, output maximum duty (on time) can be set. Maximum duty value should be set for approximately 90%.

If IC output pulse is operated at maximum duty when the power is turned on, a rush current flows to the output transistor. Therefore, the duty cycle should be slowly increased from 0 (this is generally referred to as a "soft start"). As shown in figure 3, configuration with the addition of a decay time constant circuit is possible using a condenser connected to the dead-time control pin (1 pin).

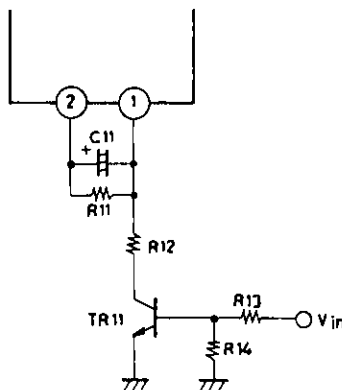
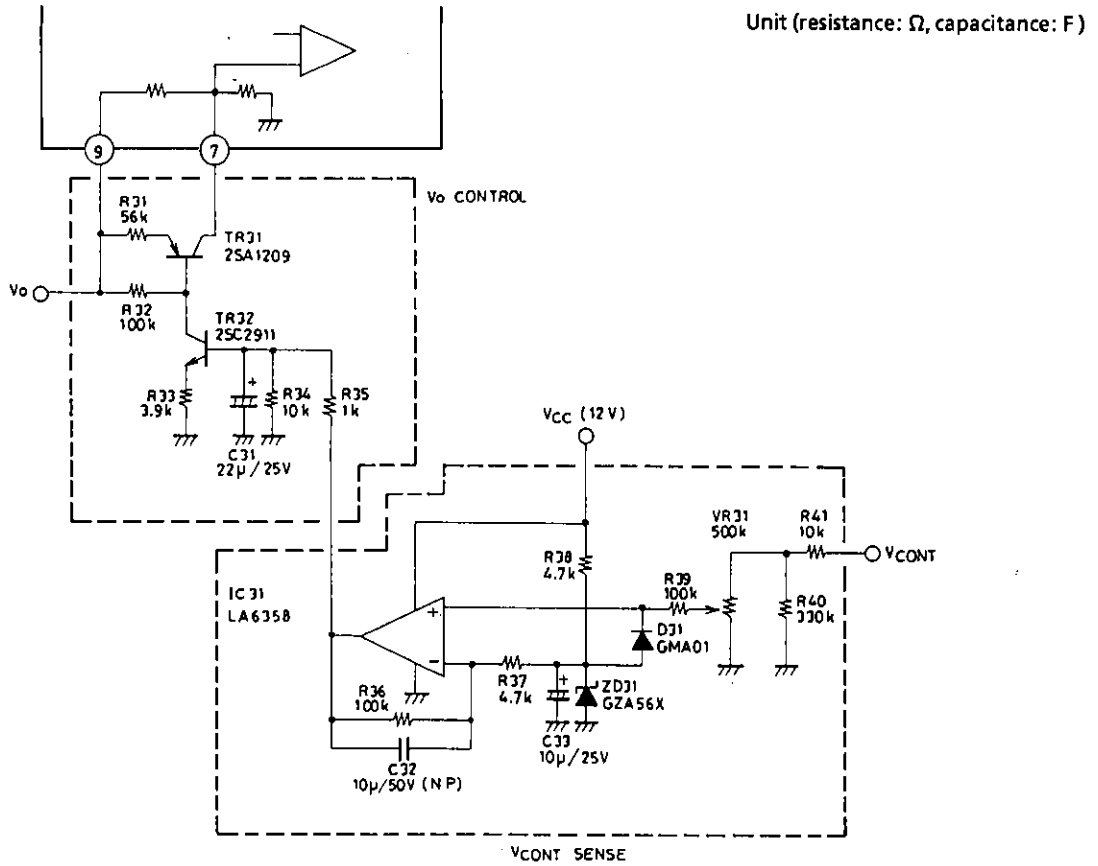


Fig. 3

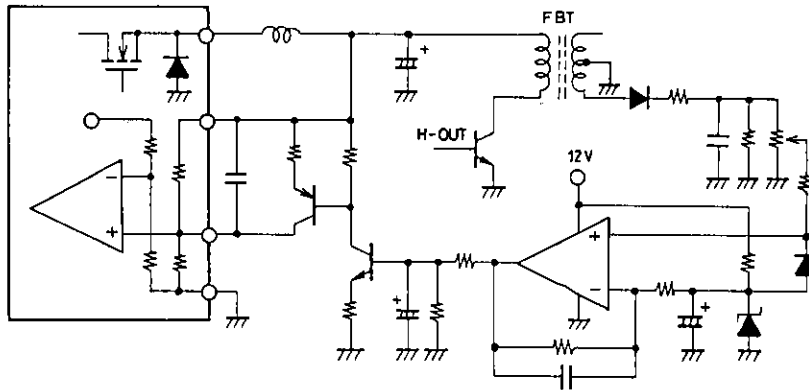
3. Output Voltage V_o Control Circuit

By supporting control voltage changes externally, output voltage V_o can be modified.

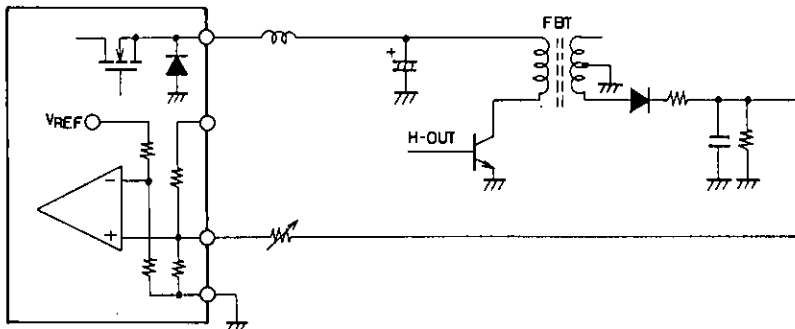


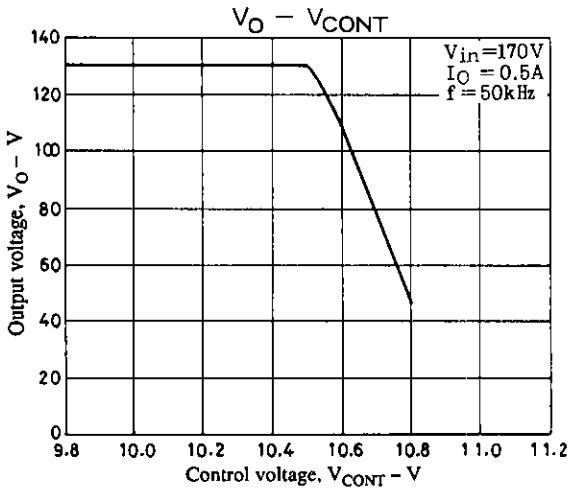
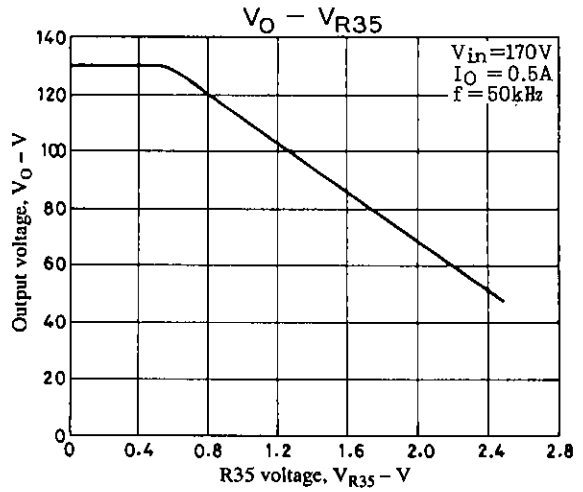
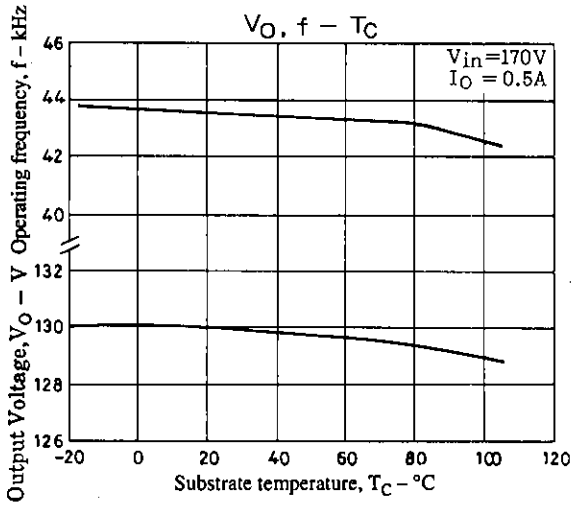
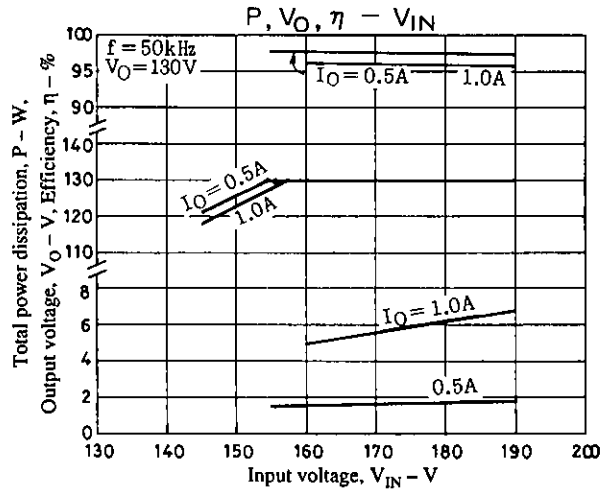
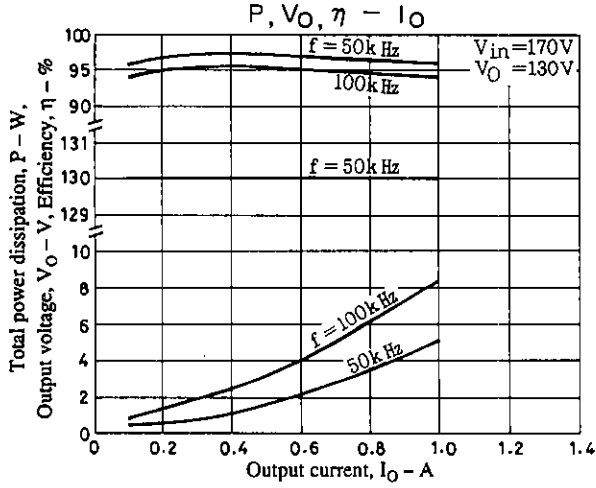
4. Support for Multi-Scan Applications

①



②





- No products described or contained herein are intended for use in surgical implants, life-support systems, aerospace equipment, nuclear power control systems, vehicles, disaster/crime-prevention equipment and the like, the failure of which may directly or indirectly cause injury, death or property loss.
- Anyone purchasing any products described or contained herein for an above-mentioned use shall:
 - ① Accept full responsibility and indemnify and defend SANYO ELECTRIC CO., LTD., its affiliates, subsidiaries and distributors and all their officers and employees, jointly and severally, against any and all claims and litigation and all damages, cost and expenses associated with such use:
 - ② Not impose any responsibility for any fault or negligence which may be cited in any such claim or litigation on SANYO ELECTRIC CO., LTD., its affiliates, subsidiaries and distributors or any of their officers and employees jointly or severally.
- Information (including circuit diagrams and circuit parameters) herein is for example only; it is not guaranteed for volume production. SANYO believes information herein is accurate and reliable, but no guarantees are made or implied regarding its use or any infringements of intellectual property rights or other rights of third parties.