

SEVEN SEGMENT NUMERIC DISPLAY

High efficiency red GaAlAs/GaAs
0.3 inch Character Height
High Contrast
Wide Viewing Angle
Common Anode - MU232A
Common Cathode - MU232C

ABSOLUTE MAXIMUM RATINGS (Ta=25°C)

Power Dissipation / Segment	95mW
Peak Forward Current / Segment *	200mA
Continuous Forward Current / Segment	40mA
Reverse Voltage / Segment	5V
Operating Temperature Range	-20 to +85°C
Storage Temperature Range	-20 to +85°C

* Note : Pulse Width = 1mS, Duty Ratio = 1/10.

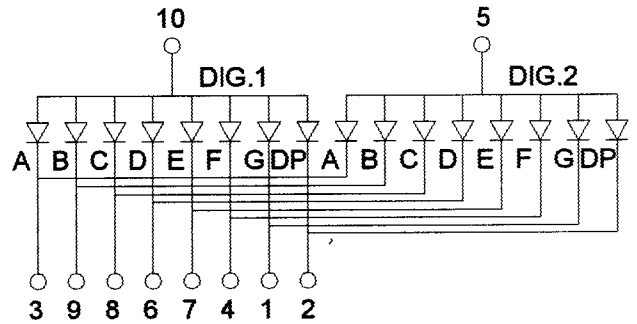
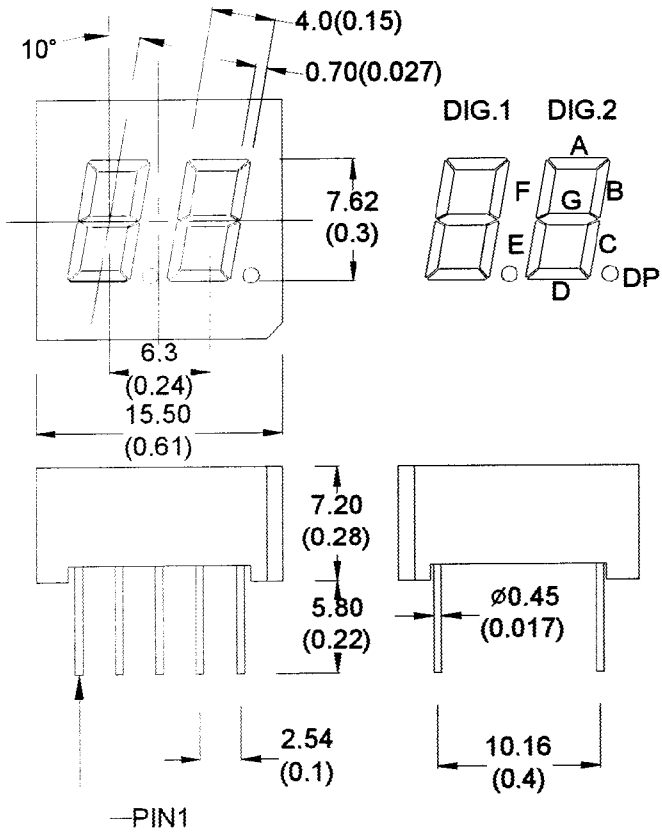
ELECTRO-OPTICAL CHARACTERISTICS (Ta=25°C) / segment

PARAMETER	SYMBOL	MIN	TYP	MAX	UNIT	CONDITIONS
Forward Voltage	VF		1.8	2.4	V	IF=20mA
Luminous Intensity	IV	1.0	1.8		mcd	IF=10mA
Segment to Segment Luminous Intensity Ratio				2:1		IF=10mA
Reverse Current	IR			100	µA	VR=5V
Peak Wavelength	λp		660		nm	IF=20mA
Spectral Line Half Width	Δλ		20		nm	IF=20mA

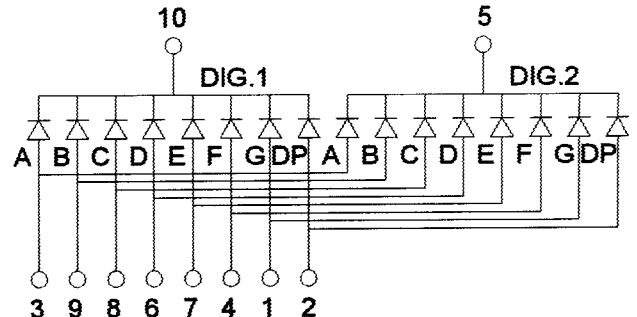


MU232A / MU232C

MECHANICAL DIMENSIONS



D-232a (COMMON ANODE)



D-232c (COMMON CATHODE)

- All Dimension in mm (inch)
- NO Scale
- Tol : + / - 0.3mm

