

# 0.28" Clock Display

## FEATURES

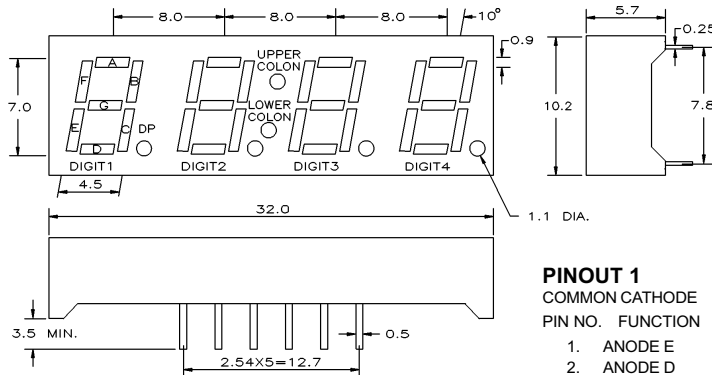
- Low Current Requirements
- High Light Output
- Additional colors/materials available
- IC Compatible

## OPTO-ELECTRICAL CHARACTERISTICS (Ta = 25°C)

PART NO.	PEAK WAVE LENGTH (nm)	EMITTED COLOR	FACE COLORS		MAXIMUM RATINGS			OPTO-ELECTRICAL CHARACTERISTICS						PIN-OUT	
			SURFACE COLOR	EPOXY COLOR	IF (mA)	VR (V)	PD (mW)	VF(V)			IR(μA)		IV(mcd)		
								typ.	max.	@mA	max.	@VR	typ. per seg.		@mA
MTN2428-14C	567	Green	Grey	White	30	5	85	2.1	3.0	20	100	5	2.5	10	1
MTN4428R-14C	635	Hi-Eff. Red	Red	Red	30	5	85	2.1	3.0	20	100	5	2.9	10	1
MTN2428-15A	567	Green	Grey	White	30	5	85	2.1	3.0	20	100	5	2.5	10	2
MTN4428R-15A	635	Hi-Eff. Red	Red	Red	30	5	85	2.1	3.0	20	100	5	2.9	10	2

Operating Temperature: -25~+85, Storage Temperature: -25~+100. Other face/epoxy colors are available.

## PACKAGE DIMENSIONS AND PIN FUNCTIONS



### PINOUT 1

COMMON CATHODE

PIN NO. FUNCTION

1. ANODE E
2. ANODE D
3. ANODE DP
4. ANODE C
5. ANODE G
6. COMMON CATHODE D4
7. ANODE B
8. COMMON CATHODE D3
9. COMMON CATHODE D2
10. ANODE F
11. ANODE A
12. COMMON CATHODE D1

### PINOUT 2

COMMON ANODE

PIN NO. FUNCTION

1. CATHODE E
2. CATHODE D
3. CATHODE UC,LC,DP1,DP2,DP3
4. CATHODE C
5. CATHODE G
6. COMMON ANODE D4, DP3
7. CATHODE B
8. COMMON ANODE D3,DP2
9. COMMON ANODE D2,UC,LC
10. CATHODE F
11. CATHODE A
12. COMMON ANODE D1,DP1

1. ALL DIMENSIONS ARE IN mm, TOLERANCE IS  $\pm 0.25$ mm UNLESS OTHERWISE SPECIFIED.
2. THE SLOPE ANGLE OF ANY PIN MAY BE  $\pm 5.0^\circ$  MAX.



120 Broadway • Menands, New York 12204

Toll Free: (800) 98-4LEDS • Fax: (518) 432-7454

For up-to-date product info visit our web site at [www.marktechopto.com](http://www.marktechopto.com)

All specifications subject to change.