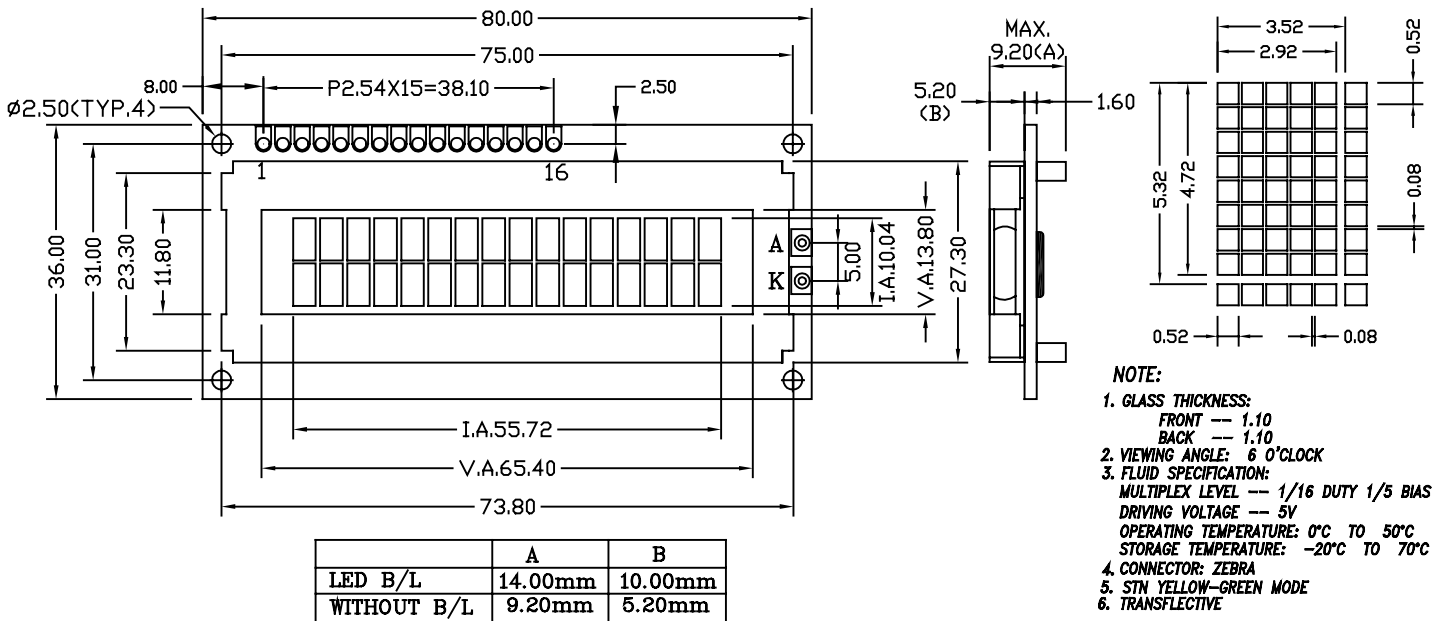


ITM-1602ASTL

| | | | |
|-------------------------|-------------|---------|---------------|
| LCD (SHEN ZHEN) CO.,LTD | | | |
| VER | A0 | FILE NO | IT-III-ED-004 |
| REV.NO | 01 | SHEET | OF |
| DATE | 24.FEB.2000 | | |

① EXTERNAL DIMENSION

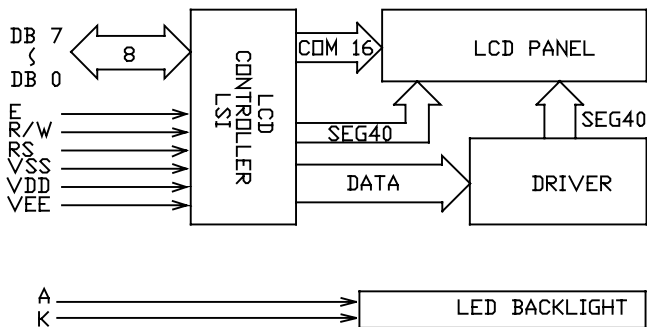


- NOTE:**
- GLASS THICKNESS:
FRONT -- 1.10
BACK -- 1.10
 - VIEWING ANGLE: 6 0'CLOCK
 - FLUID SPECIFICATION:
MULTIPLEX LEVEL -- 1/16 DUTY 1/5 BIAS
DRIVING VOLTAGE -- 5V
OPERATING TEMPERATURE: 0°C TO 50°C
STORAGE TEMPERATURE: -20°C TO 70°C
 - CONNECTOR: ZEBRA
 - STN YELLOW-GREEN MODE
 - TRANSFLECTIVE

② MECHANICAL DATA

| ITEM | SPECIFICATION | UNIT |
|-------------------------|-----------------------|------|
| Module Size (W X H X T) | 80.0 x 36.0 x 9.2 | mm |
| Viewing Area (W X H) | 65.4 x 13.8 | mm |
| Number of Character | 16 Character x 2 Line | Char |
| Dot Pitch (W X H) | 0.6 x 0.6 | mm |
| Dot Size (W X H) | 0.52 x 0.52 | mm |
| Character Pitch (W X H) | 3.52 x 5.32 | mm |
| Character Size (W X H) | 2.92 x 4.72 | mm |

④ BLOCK DIAGRAM



③ PIN CONFIGURATION

| ITEM | SYMBOL | LEVEL | DESCRIPTION |
|------|--------|-------|-----------------------------|
| 1 | VSS | L | Power GND |
| 2 | VDD | H | Power Positive |
| 3 | VEE | L | Voltage For LCD Panel Drive |
| 4 | RS | H/L | Register Select |
| 5 | R/W | H/L | Read/Write Select |
| 6 | E | H/L | Read/Write Enable |
| 7 | DB0 | H/L | Data Bus |
| 8 | DB1 | H/L | |
| 9 | DB2 | H/L | |
| 10 | DB3 | H/L | |
| 11 | DB4 | H/L | |
| 12 | DB5 | H/L | |
| 13 | DB6 | H/L | |
| 14 | DB7 | H/L | |
| 15 | A | H | LED BACKLIGHT + |
| 16 | K | L | LED BACKLIGHT - |

⑤ ELECTRICAL CHARACTERISTICS(25°C)

| PARAMETER | SYMBOL | MIN. | MAX. | UNIT |
|-----------------------|------------------|-----------------------|----------------------|------|
| Supply Voltage Logic | V _{DD} | -0.3 | +7.0 | V |
| Supply Voltage Driver | V _{LCD} | V _{DD} -15.0 | V _{DD} +0.3 | V |
| Input Voltage | V _{IN} | -0.3 | V _{DD} +0.3 | V |