



# 5V, 750mA Low Dropout Linear Regulator with Lower RESET Threshold

## Description

The CS8129 is a precision 5V linear regulator capable of sourcing 750mA. The  $\overline{\text{RESET}}$  threshold voltage has been lowered to 4.2V so that the regulator can be used with 4V microprocessors. The lower  $\overline{\text{RESET}}$  threshold also permits operation under low battery conditions (5.5V plus a diode). The  $\overline{\text{RESET}}$ 's delay time is externally programmed using a discrete RC network. During power up, or when the output goes out of regulation,  $\overline{\text{RESET}}$  remains in the low state for the duration of the delay. This function is independent of the input voltage and will function correctly as long as the output voltage remains at or above 1V. Hysteresis is included in

the Delay and the  $\overline{\text{RESET}}$  comparators to improve noise immunity. A latching discharge circuit is used to discharge the delay capacitor when it is triggered by a brief fault condition.

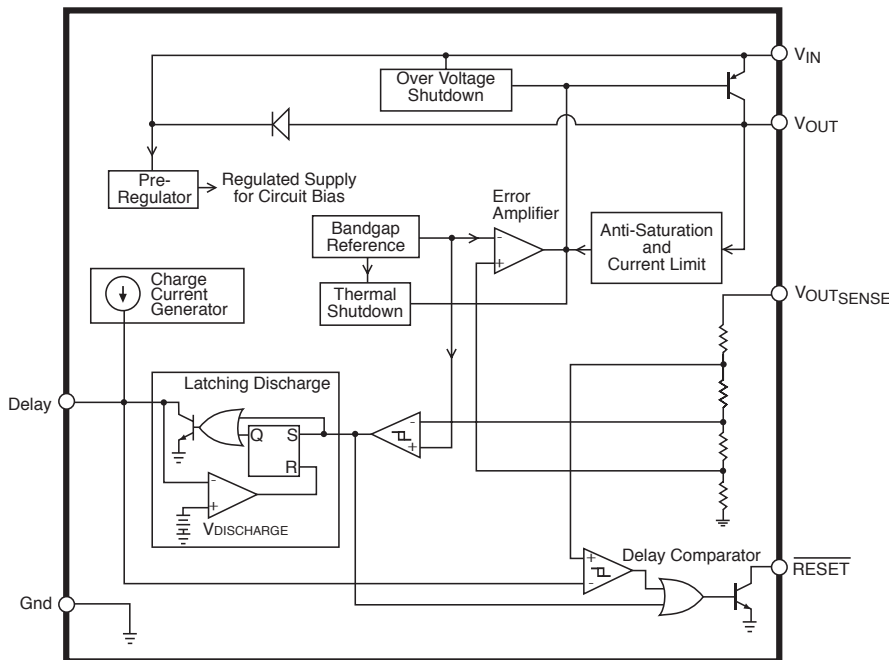
The regulator is protected against a variety of fault conditions: i.e. reverse battery, overvoltage, short circuit and thermal runaway conditions. The regulator is protected against voltage transients ranging from -50V to +40V. Short circuit current is limited to 1.2A (typ).

The CS8129 is packaged in a 5 lead TO-220 and a 16 lead surface mount package.

## Features

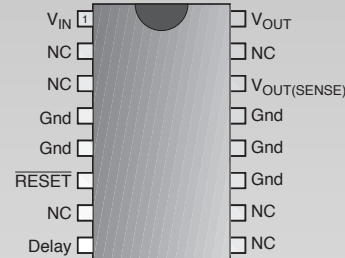
- 5V +/- 3% Regulated Output
- Low Dropout Voltage (0.6V @ 0.5A)
- 750mA Output Current Capability
- Reduced  $\overline{\text{RESET}}$  Threshold for use with 4V Microprocessors
- Externally Programmed  $\overline{\text{RESET}}$  Delay
- Fault Protection
  - Reverse Battery
  - 60V, -50V Peak Transient Voltage
  - Short Circuit
  - Thermal Shutdown

## Block Diagram

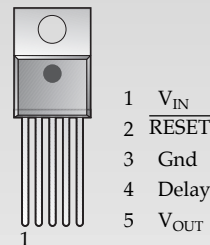


## Package Options

### 16 Lead SOIC Wide



### 5 Lead TO-220



Cherry Semiconductor Corporation  
 2000 South County Trail, East Greenwich, RI 02818  
 Tel: (401)885-3600 Fax: (401)885-5786  
 Email: info@cherry-semi.com  
 Web Site: www.cherry-semi.com

## Absolute Maximum Ratings

Input Operating Range.....	-0.5 to 26V
Power Dissipation.....	Internally Limited
Peak Transient Voltage (46V Load Dump @ 14V V <sub>IN</sub> ) .....	-50V, 60V
Output Current .....	Internally Limited
ESD Susceptibility (Human Body Model).....	4kV
Junction Temperature .....	-55°C to 150°C
Storage Temperature.....	-55°C to 150°C
Lead Temperature Soldering	
Wave Solder (through hole styles only) .....	10 sec. max, 260°C peak
Reflow (SMD styles only) .....	60 sec. max above 183°C, 230°C peak

**Electrical Characteristics: -40°C ≤ T<sub>A</sub> ≤ +125°C, -40°C ≤ T<sub>J</sub> ≤ +150°C, 6V ≤ V<sub>IN</sub> ≤ 26V, 5mA ≤ I<sub>OUT</sub> ≤ 500mA, R<sub>RESET</sub> = 4.7kΩ to V<sub>OUT</sub> unless otherwise noted\***

PARAMETER	TEST CONDITIONS	MIN	TYP	MAX	UNIT
<b>■ Output Stage (V<sub>OUT</sub>)</b>					
Output Voltage		4.85	5.00	5.15	V
Dropout Voltage	I <sub>OUT</sub> = 500mA		0.35	0.60	V
Supply Current	I <sub>OUT</sub> ≤ 10mA		2	7	mA
	I <sub>OUT</sub> ≤ 100mA		6	12	
	I <sub>OUT</sub> ≤ 500mA		55	100	
Line Regulation	6V ≤ V <sub>IN</sub> ≤ 26V, I <sub>OUT</sub> = 50mA		5	50	mV
Load Regulation	50mA ≤ I <sub>OUT</sub> ≤ 500mA, V <sub>IN</sub> = 14V		10	50	mV
Ripple Rejection	f = 120Hz, V <sub>IN</sub> = 7 to 17V, I <sub>OUT</sub> = 250mA	54	75		dB
Current Limit		0.75	1.20		A
Overshoot Shutdown		32		40	V
Reverse Polarity Input Voltage DC	V <sub>OUT</sub> ≥ -0.6V, 10Ω Load	-15	-30		V
Thermal Shutdown	Guaranteed by Design	150	180	210	°C
<b>■ RESET and Delay Functions</b>					
Delay Charge Current	V <sub>DELAY</sub> = 2V	5	10	15	μA
RESET Threshold	V <sub>OUT</sub> Increasing, V <sub>RT(ON)</sub>	4.05	4.35	4.50	V
	V <sub>OUT</sub> Decreasing, V <sub>RT(OFF)</sub>	4.00	4.20	4.45	V
RESET Hysteresis	V <sub>RH</sub> = V <sub>RT(ON)</sub> - V <sub>RT(OFF)</sub>	50	150	250	mV
Delay Threshold	Charge, V <sub>DC(HI)</sub>	3.25	3.50	3.75	V
	Discharge, V <sub>DC(LO)</sub>	2.85	3.10	3.35	V
Delay Hysteresis		200	400	800	mV
RESET Output Voltage Low	1V < V <sub>OUT</sub> < V <sub>RT(L)</sub> , 3kΩ to V <sub>OUT</sub>		0.1	0.4	V
RESET Output Leakage Current	V <sub>OUT</sub> > V <sub>RT(H)</sub>		0	10	μA
Delay Capacitor Discharge Voltage	Discharge Latched "ON", V <sub>OUT</sub> > V <sub>RT</sub>		0.2	0.5	V
Delay Time	C <sub>DELAY</sub> = 0.1μF (Note 1)	16	32	48	ms

\* To observe safe operating junction temperatures, low duty cycle pulse testing is used in tests where applicable.

$$\text{Delay Time} = \frac{C_{\text{Delay}} \times V_{\text{Delay Threshold Charge}}}{I_{\text{Charge}}} = C_{\text{Delay}} \times 3.5 \times 10^5 \text{ (typ)}$$

Note 1: assuming ideal capacitor

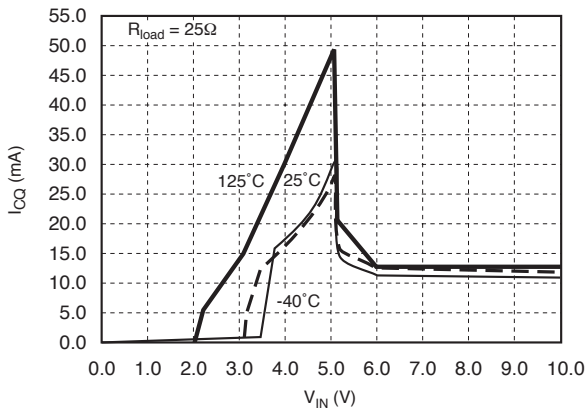
## Package Lead Description

CS8129

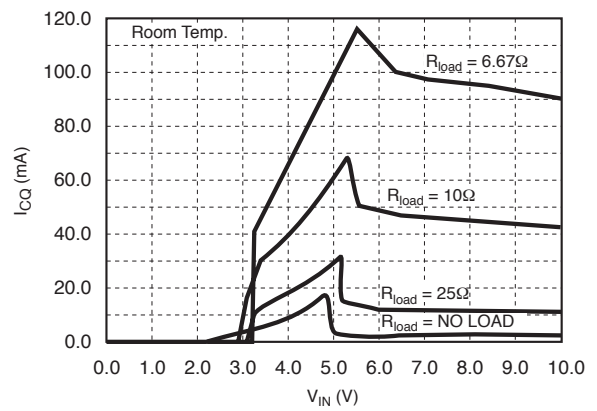
PACKAGE LEAD #		LEAD SYMBOL	FUNCTION
16L SOIC Wide	5L TO-220		
1	1	$V_{IN}$	Unregulated supply voltage to IC.
16	5	$V_{OUT}$	Regulated 5V output.
4, 5, 11, 12, 13	3	Gnd	Ground connection.
8	4	Delay	Timing capacitor for $\overline{RESET}$ function.
6	2	$\overline{RESET}$	CMOS/TTL compatible output lead. $\overline{RESET}$ goes low whenever $V_{OUT}$ drops below 6% of its regulated value.
14	N/A	$V_{OUT(SENSE)}$	Remote sensing of output voltage.

## Typical Performance Characteristics

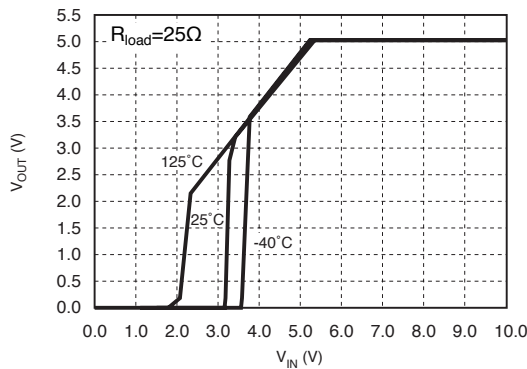
Quiescent Current vs Input Voltage over Temperature



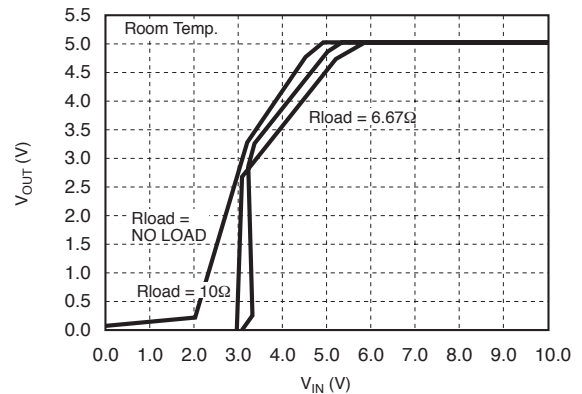
Quiescent Current vs Input Voltage over Load Resistance



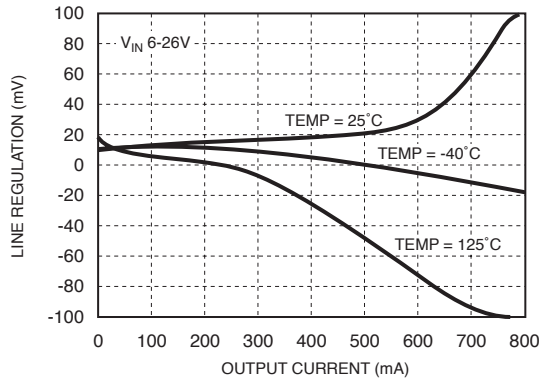
Output Voltage vs Input Voltage over Temperature



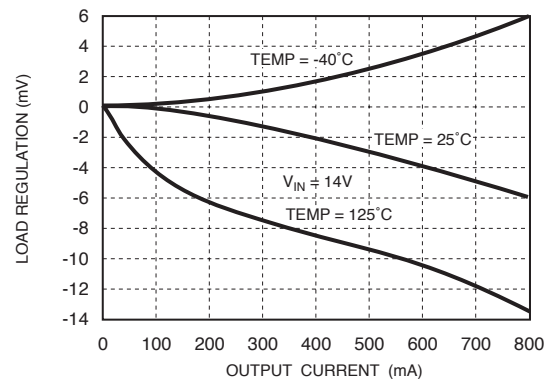
$V_{OUT}$  vs.  $V_{IN}$  over  $R_{LOAD}$



Line Regulation vs. Output Current

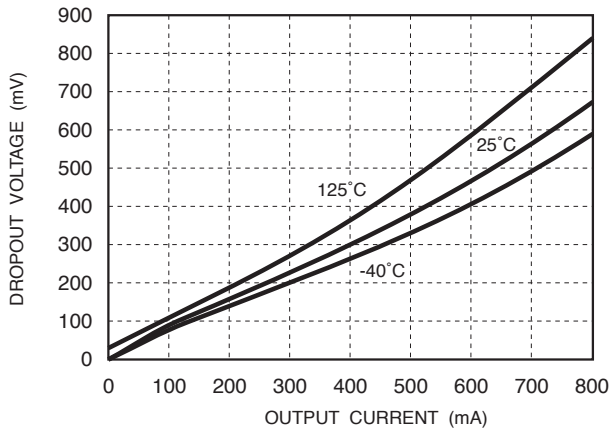


Load Regulation vs. Output Current

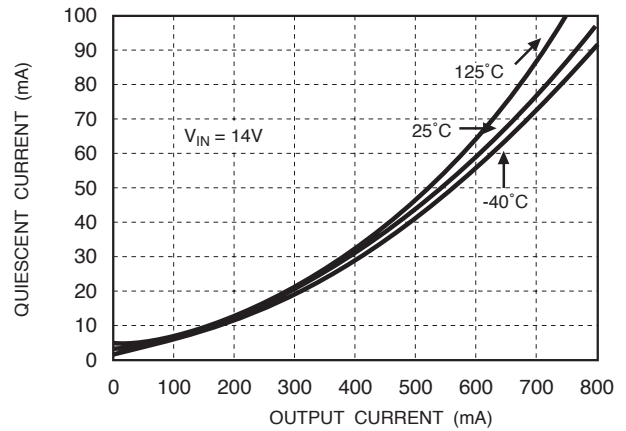


Typical Performance Characteristics Continued

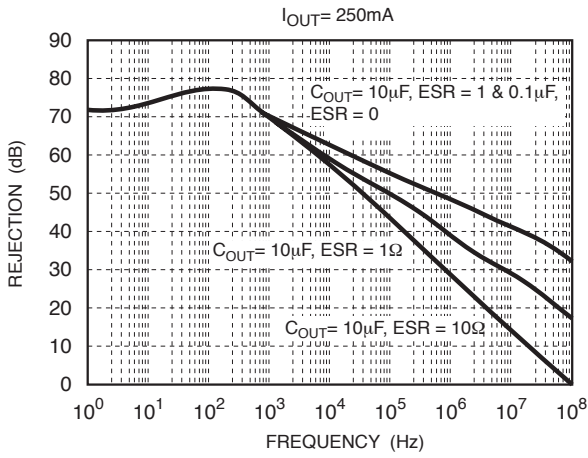
Dropout Voltage vs. Output Current



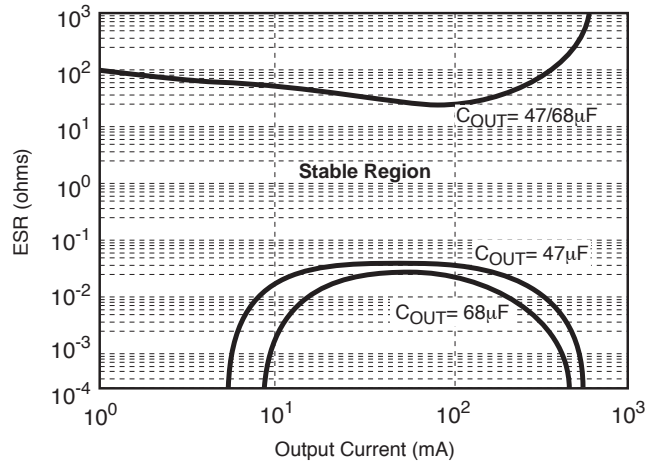
Quiescent Current vs. Output Current



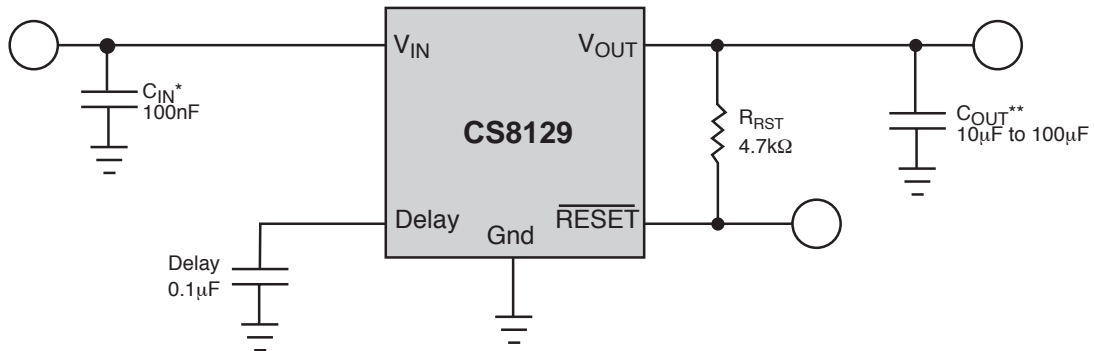
Ripple Rejection



Output Capacitor ESR

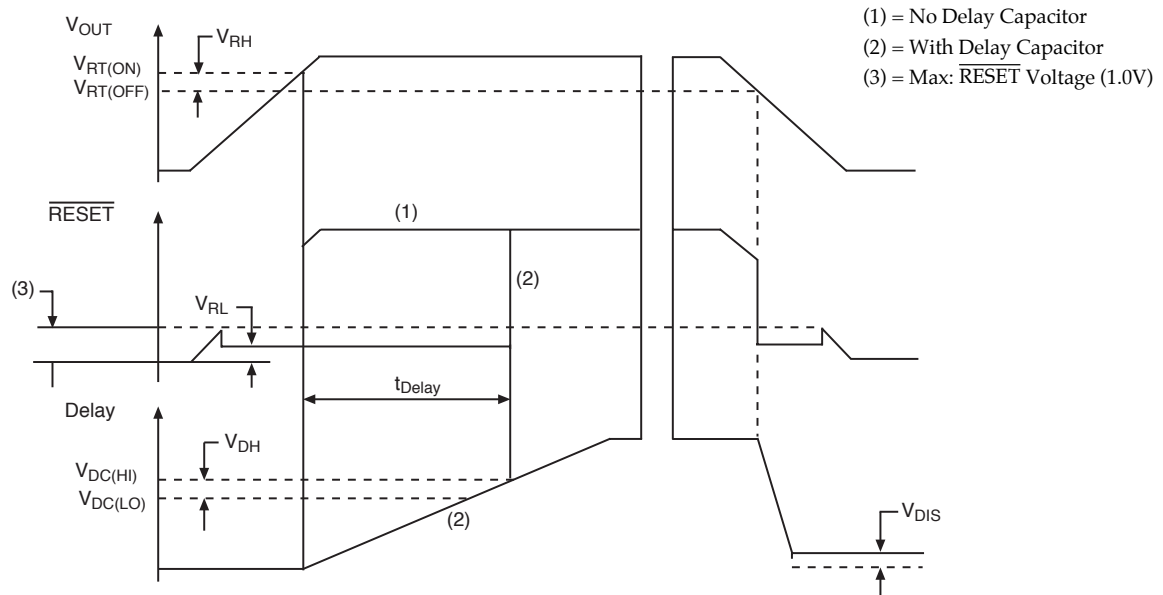


Test & Application Circuit



\* $C_{IN}$  required if regulator is far from the power source filter.

\*\* $C_{OUT}$  required for stability.



RESET Circuit Functional Description

The CS8129  $\overline{RESET}$  function has hysteresis on both the reset and delay comparators, a latching Delay capacitor discharge circuit, and operates down to 1V.

The  $\overline{RESET}$  circuit output is an open collector type with ON and OFF parameters as specified. The  $\overline{RESET}$  output NPN transistor is controlled by the two circuits described (see Block Diagram).

Low Voltage Inhibit Circuit

This circuit monitors output voltage, and when output voltage is below the specified minimum causes the  $\overline{RESET}$  output transistor to be in the ON (saturation) state. When the output voltage is above the specified level, this circuit permits the  $\overline{RESET}$  output transistor to go into the OFF state if allowed by the  $\overline{RESET}$  Delay circuit.

Reset Delay Circuit

This circuit provides a programmable (by external capacitor) delay on the  $\overline{RESET}$  output lead. The Delay lead provides source current to the external delay capacitor only when the "Low Voltage Inhibit" circuit indicates that out-

put voltage is above  $V_{RT(ON)}$ . Otherwise, the Delay lead sinks current to ground (used to discharge the delay capacitor). The discharge current is latched ON when the output voltage is below  $V_{RT(OFF)}$ . The Delay capacitor is fully discharged anytime the output voltage falls out of regulation, even for a short period of time. This feature ensures a controlled  $\overline{RESET}$  pulse is generated following detection of an error condition. The circuit allows the  $\overline{RESET}$  output transistor to go to the OFF (open) state only when the voltage on the Delay lead is higher than  $V_{DC(HI)}$ .

The Delay time for the  $\overline{RESET}$  function is calculated from the formula:

$$\text{Delay time} = \frac{C_{\text{Delay}} \times V_{\text{Delay Threshold}}}{I_{\text{Charge}}}$$

$$\text{Delay time} = C_{\text{Delay}(\mu\text{F})} \times 3.2 \times 10^5$$

If  $C_{\text{Delay}}=0.1\mu\text{F}$ , Delay time (ms)=32ms  $\pm$  50%: i.e. 16ms to 48ms. The tolerance of the capacitor must be taken into account to calculate the total variation in the delay time.

### Stability Considerations

The output or compensation capacitor helps determine three main characteristics of a linear regulator: start-up delay, load transient response and loop stability.

The capacitor value and type should be based on cost, availability, size and temperature constraints. A tantalum or aluminum electrolytic capacitor is best, since a film or ceramic capacitor with almost zero ESR can cause instability. The aluminum electrolytic capacitor is the least expensive solution, but, if the circuit operates at low temperatures (-25°C to -40°C), both the value and ESR of the least expensive will vary considerably. The capacitor manufacturers data sheet usually provides this information.

The value for the output capacitor  $C_{OUT}$  shown in the test and applications circuit should work for most applications, however it is not necessarily the optimized solution.

To determine an acceptable value for  $C_{OUT}$  for a particular application, start with a tantalum capacitor of the recommended value and work towards a less expensive alternative part.

**Step 1:** Place the completed circuit with a tantalum capacitor of the recommended value in an environmental chamber at the lowest specified operating temperature and monitor the outputs with an oscilloscope. A decade box connected in series with the capacitor will simulate the higher ESR of an aluminum capacitor. Leave the decade box outside the chamber, the small resistance added by the longer leads is negligible.

**Step 2:** With the input voltage at its maximum value, increase the load current slowly from zero to full load while observing the output for any oscillations. If no oscillations are observed, the capacitor is large enough to ensure a stable design under steady state conditions.

**Step 3:** Increase the ESR of the capacitor from zero using the decade box and vary the load current until oscillations appear. Record the values of load current and ESR that cause the greatest oscillation. This represents the worst case load conditions for the regulator at low temperature.

**Step 4:** Maintain the worst case load conditions set in step 3 and vary the input voltage until the oscillations increase. This point represents the worst case input voltage conditions.

**Step 5:** If the capacitor is adequate, repeat steps 3 and 4 with the next smaller valued capacitor. A smaller capacitor will usually cost less and occupy less board space. If the output oscillates within the range of expected operating conditions, repeat steps 3 and 4 with the next larger standard capacitor value.

**Step 6:** Test the load transient response by switching in various loads at several frequencies to simulate its real working environment. Vary the ESR to reduce ringing.

**Step 7:** Remove the unit from the environmental chamber and heat the IC with a heat gun. Vary the load current as instructed in step 5 to test for any oscillations.

Once the minimum capacitor value with the maximum ESR is found, a safety factor should be added to allow for the tolerance of the capacitor and any variations in regulator performance. Most good quality aluminum electrolytic capacitors have a tolerance of +/- 20% so the minimum value found should be increased by at least 50% to allow for this tolerance plus the variation which will occur at

low temperatures. The ESR of the capacitor should be less than 50% of the maximum allowable ESR found in step 3 above.

### Calculating Power Dissipation in a Single Output Linear Regulator

The maximum power dissipation for a single output regulator (Figure 1) is:

$$P_{D(max)} = (V_{IN(max)} - V_{OUT(min)}) I_{OUT(max)} + V_{IN(max)} I_Q \quad (1)$$

where

$V_{IN(max)}$  is the maximum input voltage,

$V_{OUT(min)}$  is the minimum output voltage,

$I_{OUT(max)}$  is the maximum output current for the application, and

$I_Q$  is the quiescent current the regulator consumes at  $I_{OUT(max)}$ .

Once the value of  $P_{D(max)}$  is known, the maximum permissible value of  $R_{\theta JA}$  can be calculated:

$$R_{\theta JA} = \frac{150^\circ\text{C} - T_A}{P_D} \quad (2)$$

The value of  $R_{\theta JA}$  can then be compared with those in the package section of the data sheet. Those packages with  $R_{\theta JA}$ 's less than the calculated value in equation 2 will keep the die temperature below 150°C.

In some cases, none of the packages will be sufficient to dissipate the heat generated by the IC, and an external heatsink will be required.

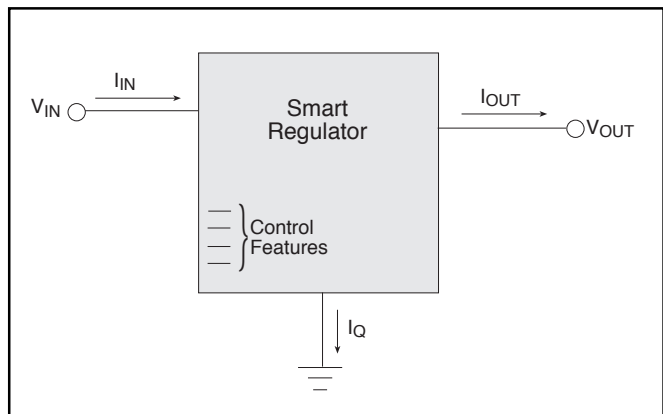


Figure 1: Single output regulator with key performance parameters labeled.

### Heat Sinks

A heat sink effectively increases the surface area of the package to improve the flow of heat away from the IC and into the surrounding air.

Each material in the heat flow path between the IC and the outside environment will have a thermal resistance. Like series electrical resistances, these resistances are summed to determine the value of  $R_{\theta JA}$ .

$$R_{\theta JA} = R_{\theta JC} + R_{\theta CS} + R_{\theta SA} \quad (3)$$

where

$R_{\theta JC}$  = the junction-to-case thermal resistance,  
 $R_{\theta CS}$  = the case-to-heatsink thermal resistance, and  
 $R_{\theta SA}$  = the heatsink-to-ambient thermal resistance.

$R_{\theta JC}$  appears in the package section of the data sheet. Like  $R_{\theta JA}$ , it too is a function of package type.  $R_{\theta CS}$  and  $R_{\theta SA}$  are functions of the package type, heatsink and the interface between them. These values appear in heat sink data sheets of heat sink manufacturers.

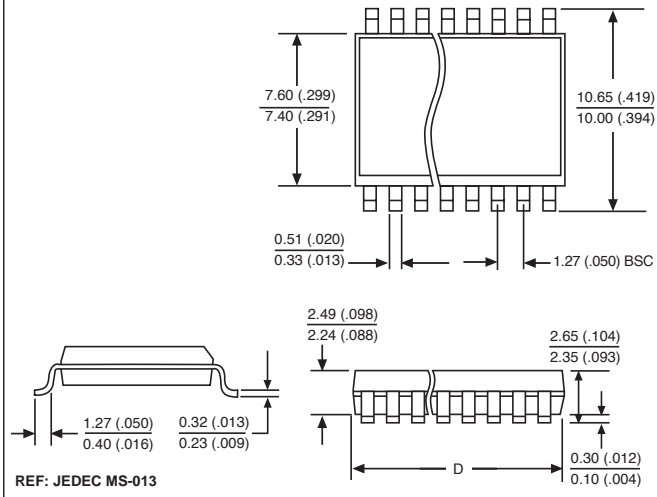


Package Specification

PACKAGE DIMENSIONS IN mm (INCHES)

Lead Count	D			
	Metric		English	
	Max	Min	Max	Min
16 L SOIC Wide	10.50	10.10	.413	.398

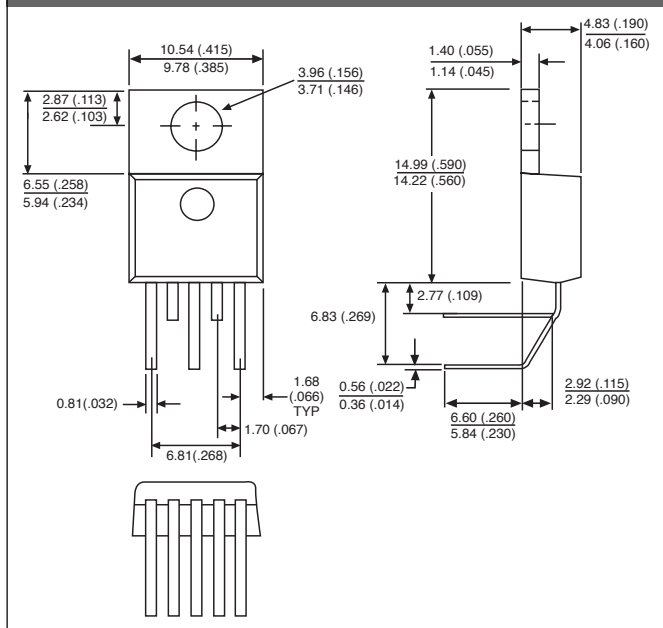
Surface Mount Wide Body (DW); 300 mil wide



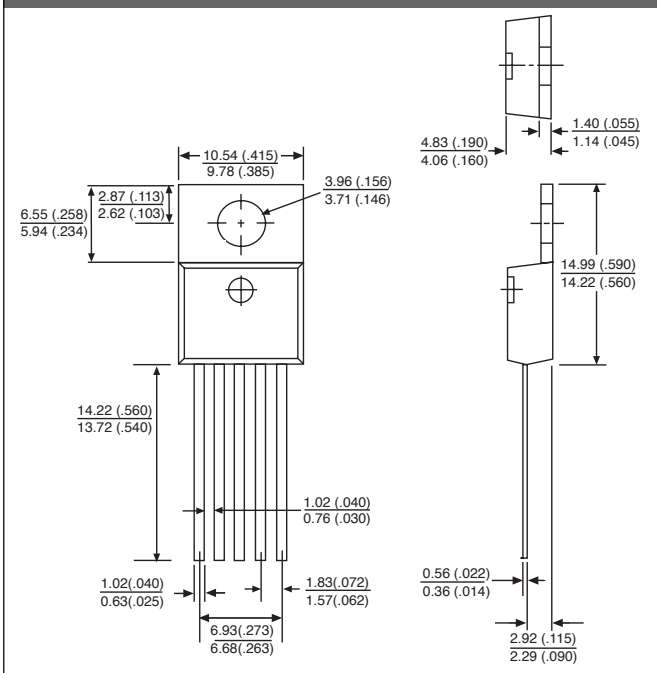
PACKAGE THERMAL DATA

Thermal Data		16 Lead SOIC Wide	5 Lead TO-220	
$R_{\theta JC}$	typ	23	2.1	$^{\circ}C/W$
$R_{\theta JA}$	typ	105	50	$^{\circ}C/W$

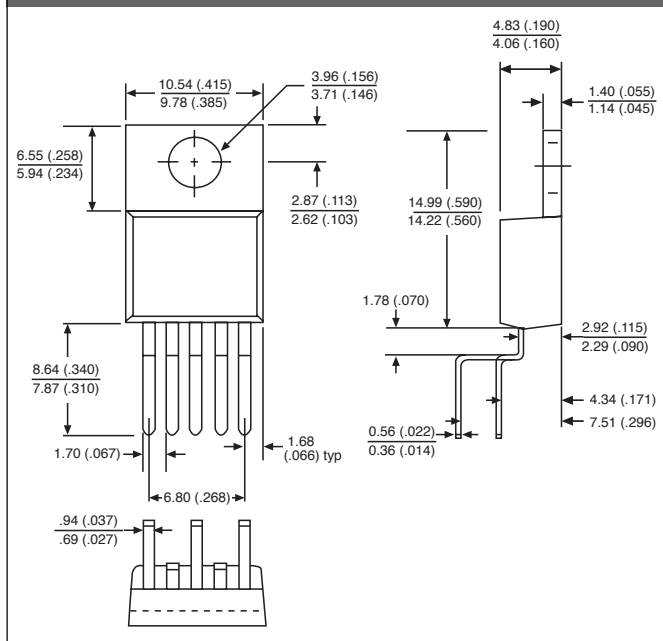
5 Lead TO-220 (THA) Horizontal



5 Lead TO-220 (T) Straight



5 Lead TO-220 (TVA) Vertical



Ordering Information

Part Number	Description
CS8129YDW16	16 Lead SOIC Wide
CS8129YDWR16	16 Lead SOIC Wide (tape & reel)
CS8129YT5	5 Lead TO-220 Straight
CS8129YTHA5	5 Lead TO-220 Horizontal
CS8129YTVA5	5 Lead TO-220 Vertical

Cherry Semiconductor Corporation reserves the right to make changes to the specifications without notice. Please contact Cherry Semiconductor Corporation for the latest available information.