

FEATURES

- Ease of Use
- Small Heat Sink
- OSD Option
- EMI Control Option
- Excellent Gray Scale Linearity

APPLICATIONS

- CRT Displays for 1280 x 1024 Resolution with Pixel Clock Frequency up to 160MHz

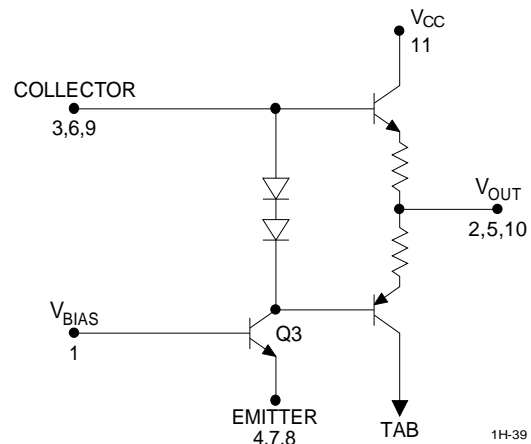
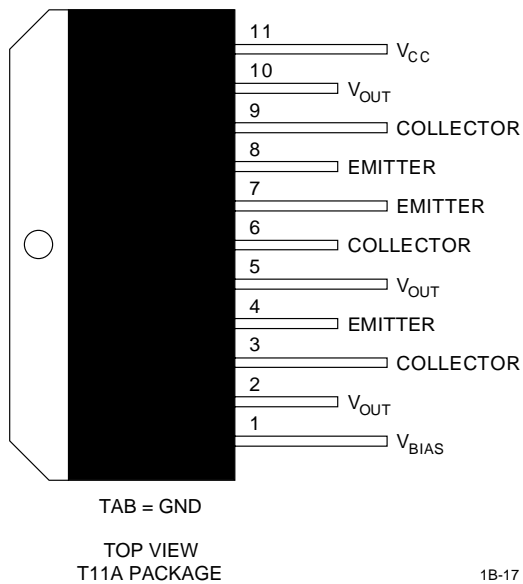
DESCRIPTION

The CVA2411TX is an improved low cost version that features excellent gray scale linearity with no crossover distortion and less EMI for 64KHz (horizontal scanning frequency) monitors. The CVA2411TX can be used with pre-amplifiers where the common emitter transistor is part of the pre-amp. With this device, OSD, peaking coil, and peaking capacitor can be available. A very small heat sink is required to pick-up ground from the standard TO220 package Tab. With 65MHz bandwidth, the device is an ideal low cost solution for 14", 15" and 17" monitors.

ORDERING INFORMATION

| Part | Package | Temperature |
|-----------|---------|-----------------|
| CVA2411TX | T11A | -20°C to +100°C |

CONNECTION DIAGRAM AND SIMPLIFIED SCHEMATIC



ABSOLUTE MAXIMUM RATINGS

Supply Voltage 95V
 Storage Temperature -25°C to +100°C

Operating Temperature -20°C to +100°C
 Lead Temperature +300°C

DC ELECTRICAL CHARACTERISTICS $T_{CASE} = +25^{\circ}C$

| SYMBOL | CHARACTERISTICS | MIN | TYP | MAX | UNITS |
|---------------------|---|-----|-----|------|-------|
| BV _{CEO} | Collector-Emitter Breakdown Voltage ($I_c = 1mA$) | 95 | | | V |
| BV _{CBO} | Collector-Base Breakdown Voltage ($I_c = 100\mu A$) | 100 | | | V |
| BV _{EBO} | Emitter-Base Breakdown Voltage ($I_E = 100\mu A$) | 3 | | | V |
| H _{FE} | DC Current Gain ($I_c = 35mA$) | 30 | 50 | | V |
| V _{BES} | | | | 0.95 | |
| V _{CES} | | | | 0.3 | |
| V _{BE(ON)} | | 0.6 | | | |
| I _{CEO} | | | | 100 | nA |

AC ELECTRICAL CHARACTERISTICS $T_{CASE} = +25^{\circ}C$

| SYMBOL | CHARACTERISTICS | MIN | TYP | MAX | UNITS |
|-----------------|---|-----|-----|-----|-------|
| C _{ob} | Output Capacitance | | 3 | | pF |
| C _{cb} | Junction Capacitance | | 2 | | pF |
| C _{ib} | Input Capacitance | | 8 | | pF |
| f _t | Current Gain Bandwidth Product ($I_c = 35mA$) | | 150 | | MHz |

FIGURE 1. TYPICAL CHARACTERISTICS

