



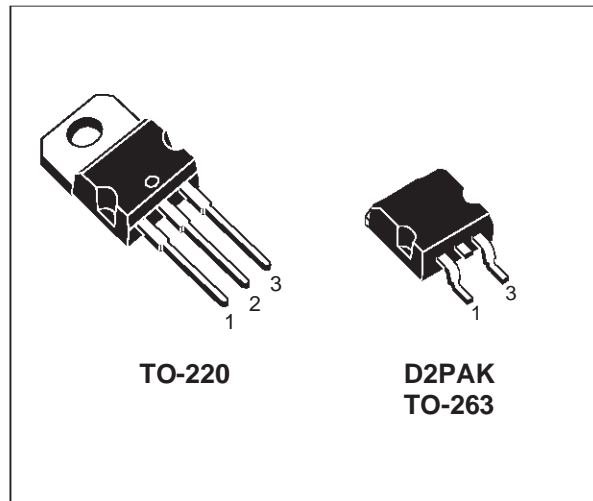
BU931T BUB931T

HIGH VOLTAGE IGNITION COIL DRIVER NPN POWER DARLINGTONS

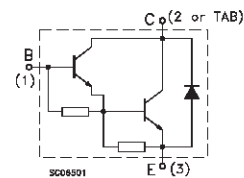
- VERY RUGGED BIPOLAR TECHNOLOGY
- HIGH OPERATING JUNCTION TEMPERATURE
- WIDE RANGE OF PACKAGES
- SURFACE-MOUNTING D2PAK (TO-263) POWER PACKAGE IN TUBE (NO SUFFIX) OR IN TAPE & REEL (SUFFIX "T4")

APPLICATIONS

- HIGH RUGGEDNESS ELECTRONIC IGNITIONS



INTERNAL SCHEMATIC DIAGRAM



ABSOLUTE MAXIMUM RATINGS

Symbol	Parameter	Value	Unit
V_{CES}	Collector-Emitter Voltage ($V_{BE} = 0$)	500	V
V_{CEO}	Collector-Emitter Voltage ($I_B = 0$)	400	V
V_{EBO}	Emitter-Base Voltage ($I_C = 0$)	5	V
I_C	Collector Current	10	A
I_{CM}	Collector Peak Current	15	A
I_B	Base Current	1	A
I_{BM}	Base Peak Current	5	A
P_{tot}	Total Dissipation at $T_c = 25^\circ\text{C}$	125	W
T_{stg}	Storage Temperature	-65 to 175	$^\circ\text{C}$
T_j	Max. Operating Junction Temperature	175	$^\circ\text{C}$

BU931T / BUB931T

THERMAL DATA

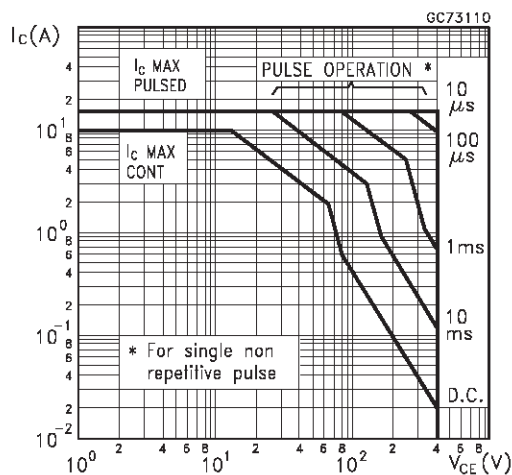
R _{thj-case}	Thermal Resistance Junction-case	Max	1.2	°C/W
-----------------------	----------------------------------	-----	-----	------

ELECTRICAL CHARACTERISTICS (T_{case} = 25 °C unless otherwise specified)

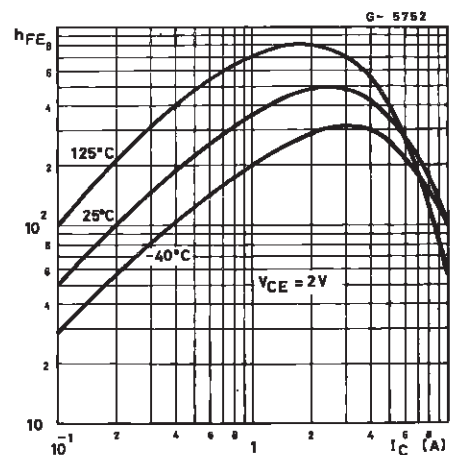
Symbol	Parameter	Test Conditions	Min.	Typ.	Max.	Unit
I _{CES}	Collector Cut-off Current (V _{BE} = 0)	V _{CE} = 500 V V _{CE} = 500 V T _j = 125 °C			100 0.5	μA mA
I _{CEO}	Collector Cut-off Current (I _B = 0)	V _{CE} = 450 V V _{CE} = 450 V T _j = 125 °C			100 0.5	μA mA
I _{EBO}	Emitter Cut-off Current (I _C = 0)	V _{EB} = 5 V			20	mA
V _{CEO(SUS)} *	Collector-Emitter Saturation Voltage	I _C = 100 mA L = 10 mH I _B = 0 V _{clamp} = RATED V _{CEO} (See fig.4)	400			V
V _{CE(sat)} *	Collector-Emitter Saturation Voltage	I _C = 7 A I _B = 70 mA I _C = 8 A I _B = 100 mA			1.6 1.8	V V
V _{BE(sat)} *	Base-Emitter Saturation Voltage	I _C = 7 A I _B = 70 mA I _C = 8 A I _B = 100 mA			2.2 2.4	V V
h _{FE} *	DC Current Gain	I _C = 5 A V _{CE} = 10 V	300			
V _F	Diode Forward Voltage	I _F = 10 A			2.5	V
	Functional Test (see fig. 1)	V _{CC} = 24 V V _{clamp} = 400 V L = 7 mH	8			A
t _s t _f	INDUCTIVE LOAD Storage Time Fall Time (see fig. 3)	V _{CC} = 12 V V _{clamp} = 300 V L = 7 mH I _C = 7 A I _B = 70 mA V _{BE} = 0 R _{BE} = 47 Ω		15 0.5		μs μs

* Pulsed: Pulse duration = 300 μs, duty cycle 1.5 %

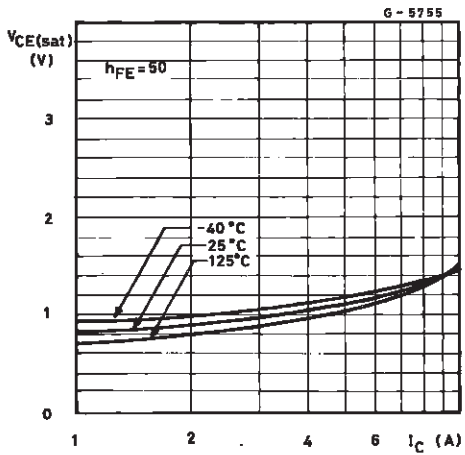
Safe Operating Area



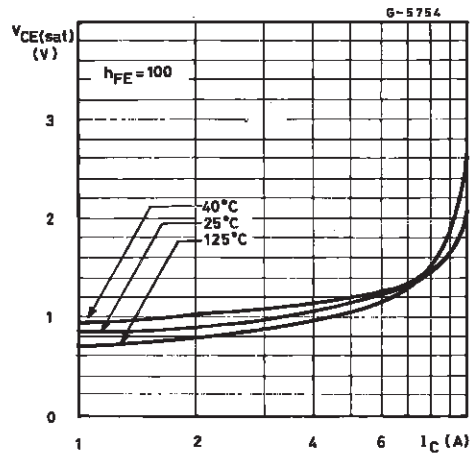
DC Current Gain



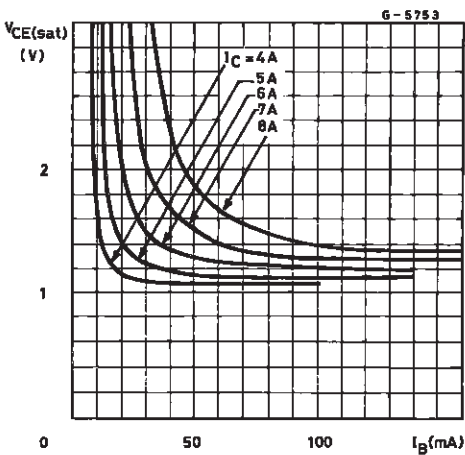
Collector Emitter Saturation Voltage



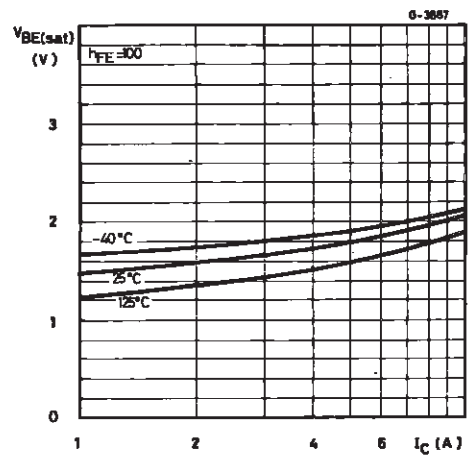
Collector Emitter Saturation Voltage



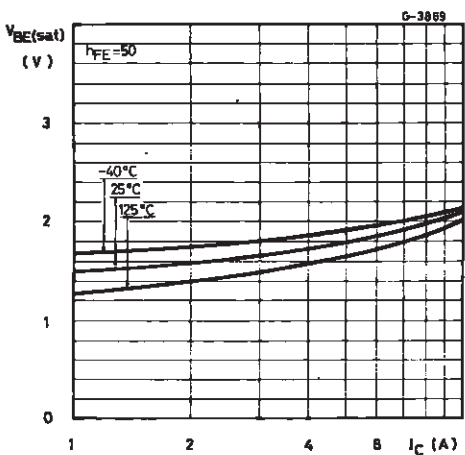
Collector Emitter Saturation Voltage



Base Emitter Saturation Voltage



Base Emitter Saturation Voltage



Switching Time Inductive Load

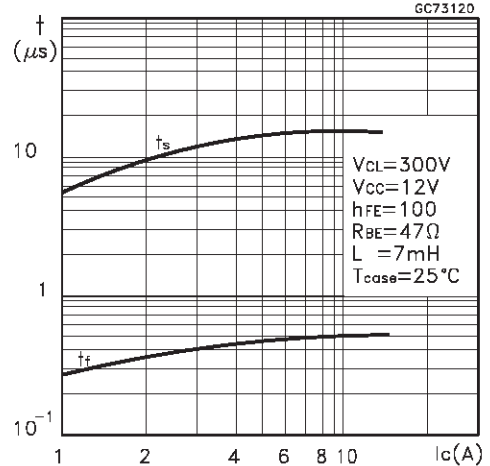


FIGURE 1: Functional Test Circuit

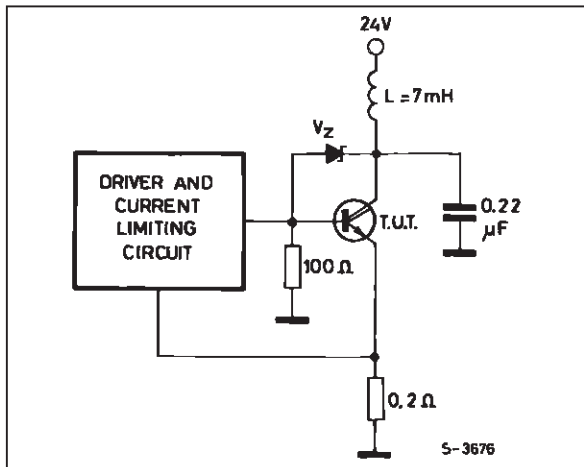


FIGURE 2: Functional Test Waveforms

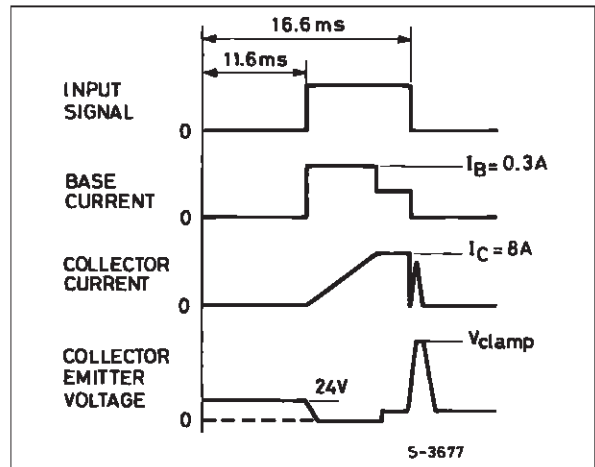


FIGURE 3: Switching Time Test Circuit

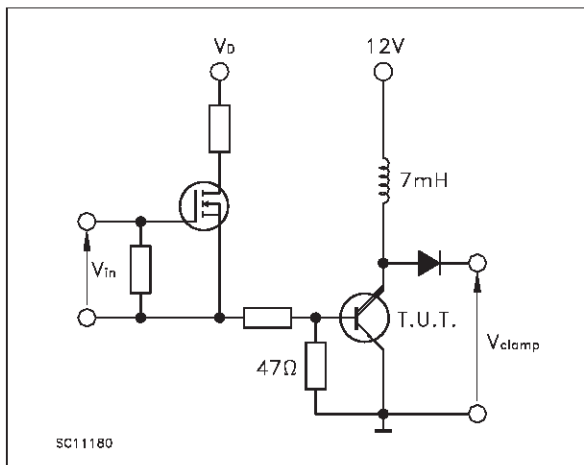
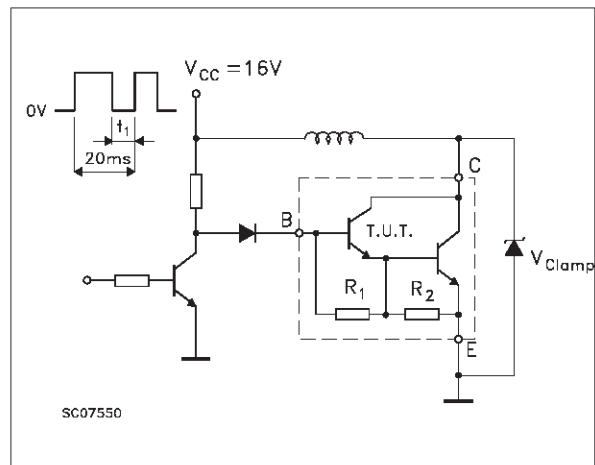
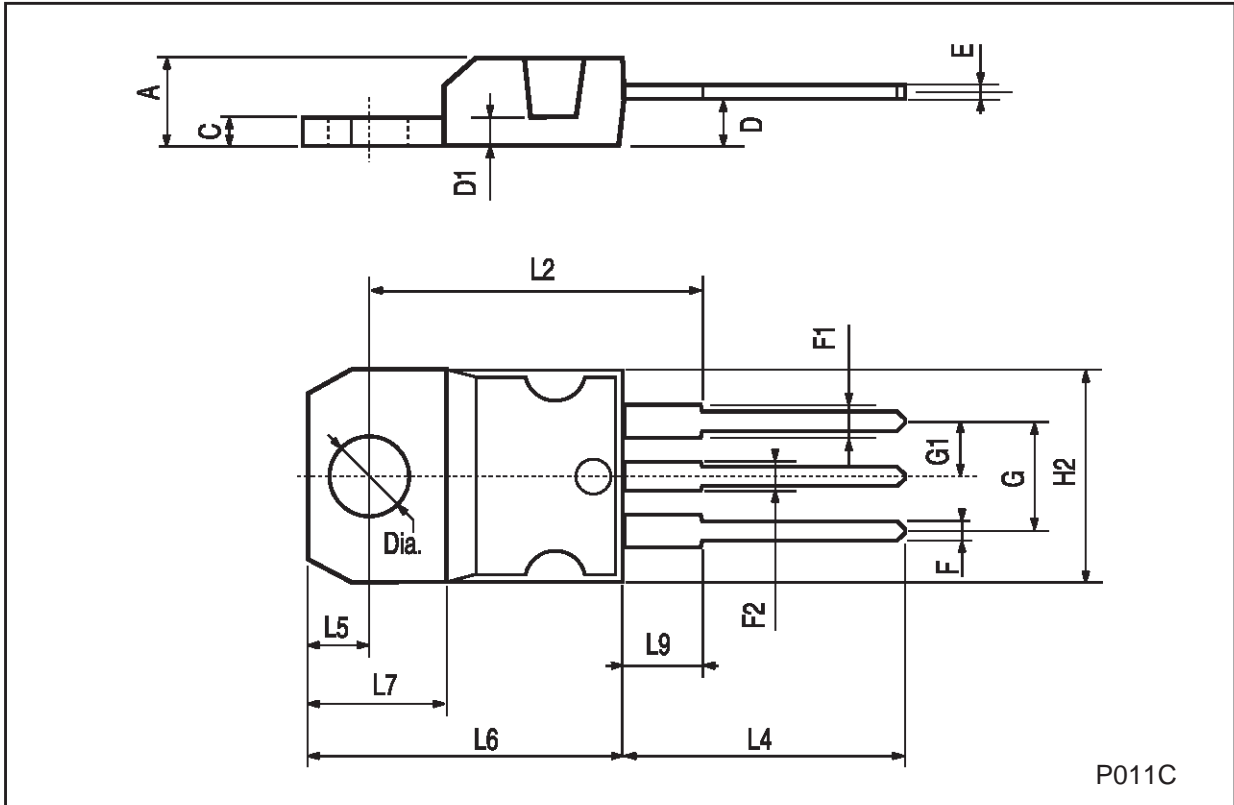


FIGURE 4: Sustaining Voltage Test Circuit



TO-220 MECHANICAL DATA

DIM.	mm			inch		
	MIN.	TYP.	MAX.	MIN.	TYP.	MAX.
A	4.40		4.60	0.173		0.181
C	1.23		1.32	0.048		0.051
D	2.40		2.72	0.094		0.107
D1		1.27			0.050	
E	0.49		0.70	0.019		0.027
F	0.61		0.88	0.024		0.034
F1	1.14		1.70	0.044		0.067
F2	1.14		1.70	0.044		0.067
G	4.95		5.15	0.194		0.203
G1	2.4		2.7	0.094		0.106
H2	10.0		10.40	0.393		0.409
L2		16.4			0.645	
L4	13.0		14.0	0.511		0.551
L5	2.65		2.95	0.104		0.116
L6	15.25		15.75	0.600		0.620
L7	6.2		6.6	0.244		0.260
L9	3.5		3.93	0.137		0.154
DIA.	3.75		3.85	0.147		0.151

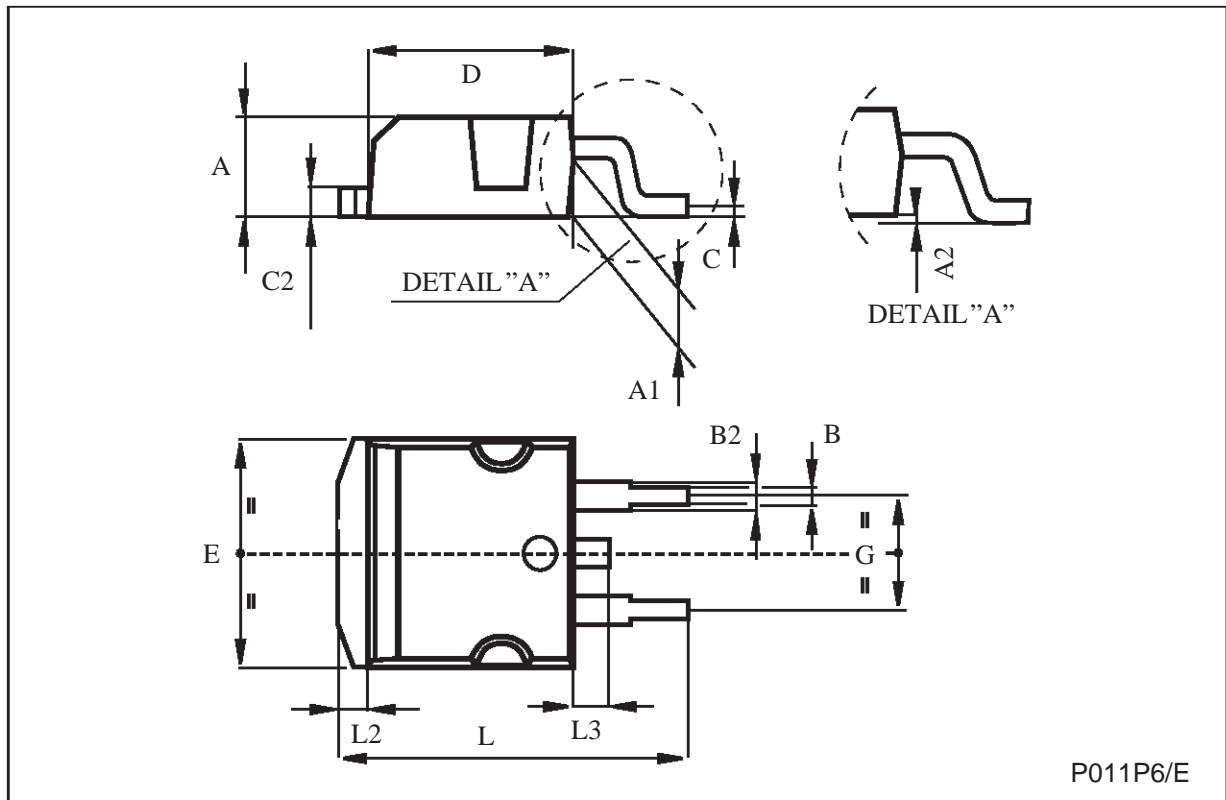


P011C



TO-263 (D²PAK) MECHANICAL DATA

DIM.	mm			inch		
	MIN.	TYP.	MAX.	MIN.	TYP.	MAX.
A	4.4		4.6	0.173		0.181
A1	2.49		2.69	0.098		0.106
B	0.7		0.93	0.027		0.036
B2	1.14		1.7	0.044		0.067
C	0.45		0.6	0.017		0.023
C2	1.21		1.36	0.047		0.053
D	8.95		9.35	0.352		0.368
E	10		10.4	0.393		0.409
G	4.88		5.28	0.192		0.208
L	15		15.85	0.590		0.624
L2	1.27		1.4	0.050		0.055
L3	1.4		1.75	0.055		0.068



Information furnished is believed to be accurate and reliable. However, STMicroelectronics assumes no responsibility for the consequences of use of such information nor for any infringement of patents or other rights of third parties which may result from its use. No license is granted by implication or otherwise under any patent or patent rights of STMicroelectronics. Specification mentioned in this publication are subject to change without notice. This publication supersedes and replaces all information previously supplied. STMicroelectronics products are not authorized for use as critical components in life support devices or systems without express written approval of STMicroelectronics.

The ST logo is a registered trademark of STMicroelectronics

© 1998 STMicroelectronics – Printed in Italy – All Rights Reserved

STMicroelectronics GROUP OF COMPANIES

Australia - Brazil - Canada - China - France - Germany - Italy - Japan - Korea - Malaysia - Malta - Mexico - Morocco - The Netherlands - Singapore - Spain - Sweden - Switzerland - Taiwan - Thailand - United Kingdom - U.S.A.

<http://www.st.com>