

Philips Semiconductors' digitally tuned TEA5767/68 FM stereo receiver IC is based on an innovative architecture concept that simplifies radio design, significantly reducing the number of external components. Delivering the highest performance levels, this one-chip radio solution occupies minimal PCB area (9x9 mm) making it ideal for all space-critical and low voltage applications such as mobile phones and MP3 players.

TEA5767/68

single-chip FM stereo radio

The single-chip TEA5767/68 is a miniature, digitally tuned radio IC that utilizes an entirely new radio architecture concept that replaces passive components and complex circuitry, with on-board silicon, drastically reducing the overall bill of materials and making design-in easier. It requires zero external alignments, resulting in shorter design times and lower manufacturing costs due to simplified component placement and reduced logistics overhead. Also, being adjustment free, it delivers increased quality and reliability, both in manufacture and throughout its lifetime in your end application.

As well as offering increased functionality in handheld devices, the radio IC is ideal for integration in a wide range of applications, where its minimal interaction with the rest of your application helps avoid reception / transmission interference. The TEA5767/68 also features very low power consumption and its small footprint makes it ideal for applications where board space is at a premium.

Capable of tuning to European, US and Japanese FM bands, the TEA5767/68 does not need an external FM discriminator and handles IF selectivity entirely on-chip.



Applications

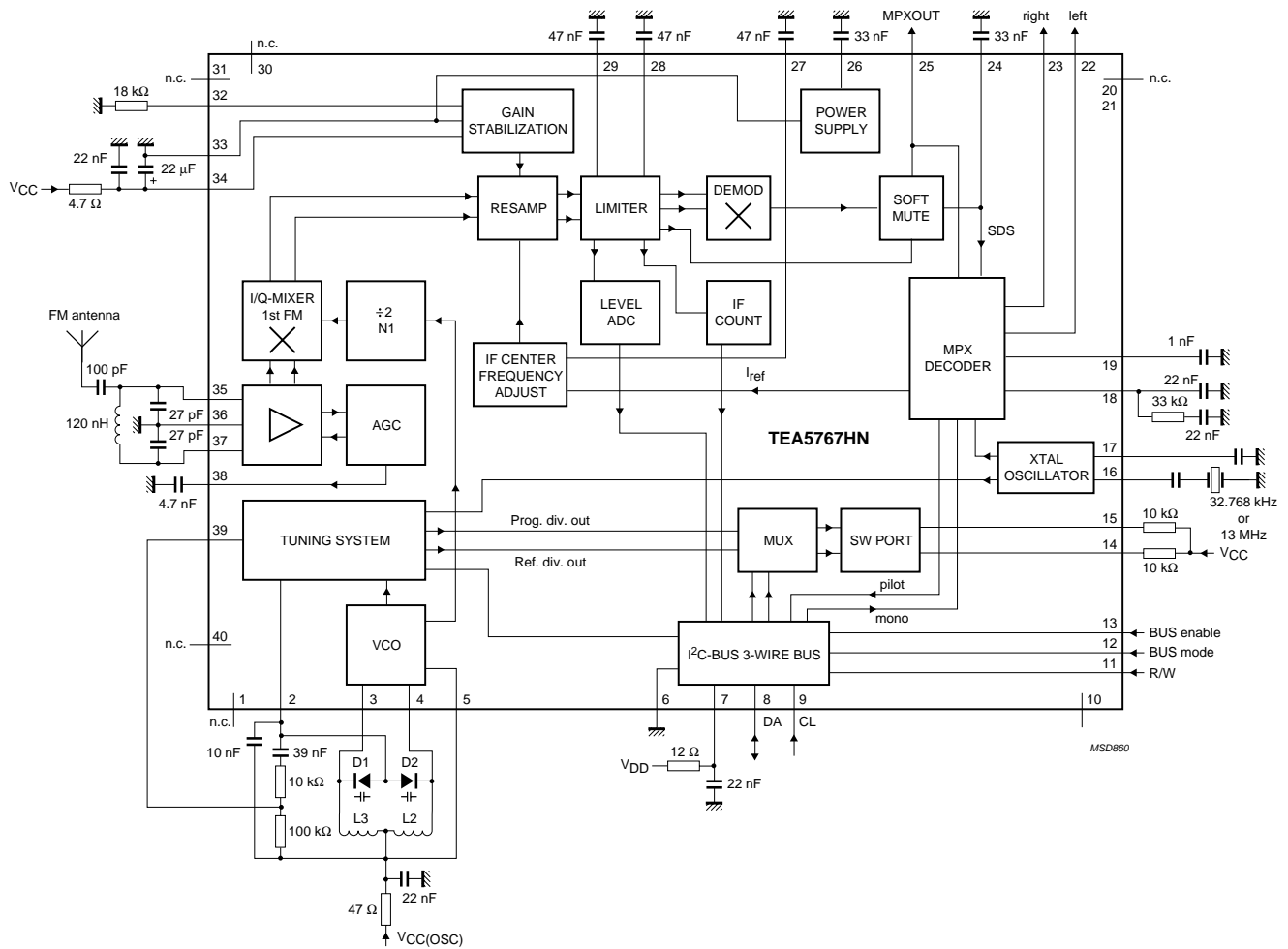
- FM stereo receiver in MP3 players, portable audio devices and mobile phones
- Miniature FM radio
- Mini- and micro-sized audio systems
- Home Hi-Fi

Key features

- Only 18 external components (19 passive components replaced by silicon)
- No alignments necessary
- Fully integrated FM IF selectivity and demodulation
- Signal dependent mono / stereo blend (stereo noise cancelling)
- Adjustment free stereo decoder
- Soft mute and signal dependent high cut control (HCC)
- Autonomous Search Tune (AST) to decrease bus communication
- Software switchable low / high injection local oscillator
- Two software programmable ports
- 32.768 kHz / 6.5 MHz / 13 MHz software switchable oscillator
- Package/interface options
 - TEA5767HL with 3-wire bus – LQFP32
 - TEA5768HL with I²C-bus – LQFP32
 - TEA5767HN with switchable 3-wire / I²C-bus – small HVQFN40
- Standby mode switched via bus
- 2.5 V minimum supply voltage
- Automotive temperature range (at 5 V_{CC})



TEA5767/68 single-chip FM stereo radio



Philips Semiconductors

Philips Semiconductors is a worldwide company with over 100 sales offices in more than 50 countries. For a complete up-to-date list of our sales offices please e-mail sales.addresses@www.semiconductors.philips.com. A complete list will be sent to you automatically. You can also visit our website <http://www.semiconductors.philips.com/sales> or contact any of the following sales offices by phone or mail:

North America

Philips Semiconductors C.R.M. Center
2800 Wells Branch Parkway
Mailstop P-411
Austin, Texas 78728
United States

Tel. +1 800 234 7381
Fax +1 800 943 0087

Europe, Africa, Middle East
and South America

Philips Semiconductors International
Fulfillment and Sales Support Center
P.O. Box 366
2700 AJ Zoetermeer
The Netherlands

Fax +31 79 3685 126

Asia Pacific

Philips Semiconductors Asia Pacific
Market Response Management Center
P.O. Box 68115
Kowloon East Post Office
Hong Kong

Fax +852 2756 8271

Japan

Philips Semiconductors
Philips Building 13-37
Kohnan 2-chome
Minato-ku,
Tokyo 108-8507

Tel. +81 3 3740 5130
Fax +81 3 3740 5057

© Koninklijke Philips Electronics N.V. 2002

SCB 73

2001

All rights are reserved. Reproduction in whole or in part is prohibited without the prior written consent of the copyright owner. The information presented in this document does not form part of any quotation or contract, is believed to be accurate and reliable and may be changed without notice. No liability will be accepted by the publisher for any consequence of its use. Publication thereof does not convey nor imply any license under patent- or other industrial or intellectual property rights.

Printed in The Netherlands

Date of release: March 2002

Document order number: 9397 750 09421

Let's make things better.



PHILIPS