

UTC CW574 LINEAR INTEGRATED CIRCUIT

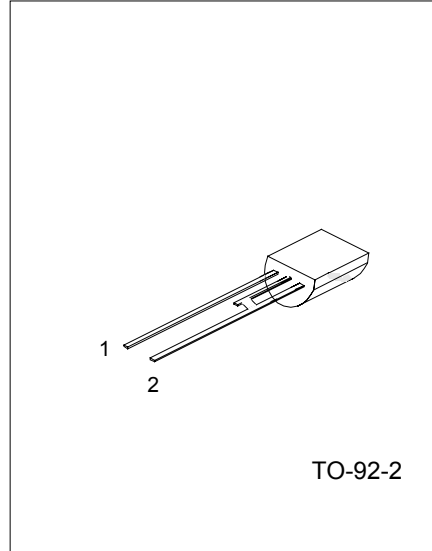
33V COLOR TV VOLTAGE REGULATOR

DESCRIPTION

The UTC CW574 is a parallel voltage regulator which provides stable harmonious voltage for high frequency tuner head of color TV.

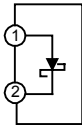
FEATURES

- *Low temperature coefficient.
- *Low dynamic resister.
- *Typical voltage: 33V.



TO-92-2: 1: Output 2: GND

BLOCK DIAGRAM



PIN FUNCTION

PIN	SYMBOL	FUNCTION
1	GND	GROUND
2	OUT	OUTPUT (31~35V)

ABSOLUTE MAXIMUM RATINGS (Tamb=25°C)

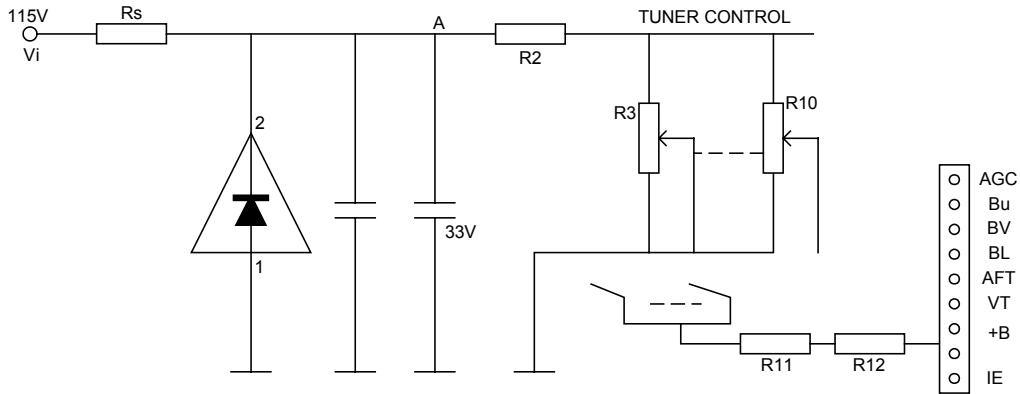
PARAMETER	SYMBOL	MIN.	MAX.	UNIT
Stable Current	Iz		10	mA
Power Dissipation	Pd		200	mW
Operating Temperature	Tamb	-20	75	°C
Storage Temperature	TSTG	-40	125	°C

ELECTRICAL CHARACTERISTICS (Tamb=25°C)

PARAMETER	SYMBOL	TEST CONDITIONS	MIN	TYP	MAX	UNIT
Stable Voltage	Vz	Iz=5mA	31	33	35	V
Dynamic Resister	Rz	Iz=5mA, Iac=0.5mA, f=1kHz		10	25	Ω
Stable Current And Temperature Characteristics	ΔVz	Iz=5mA, Tamb= -20~75°C	-1.0		1.0	mV/°C

UTC CW574 LINEAR INTEGRATED CIRCUIT

APPLICATION CIRCUIT



The UTC CW574 is a parallel voltage regulator which provides stable harmonious voltage for high frequency tuner head of color TV.

The main power 115V goes through Rs resistor to position 2 of UTC CW574 then the position A with 33V provides stable voltage for control circuit of high frequency tuner. The circuit from R3 to R10 is potential meter for tuning, according to different channels to change contact positions; to provide corresponding voltage to tuner; and to control the capacity of varicap diode in order to have high frequency tuner into proper channel.

The voltage range of UTC CW574 is required to cover necessary frequency range, and main issue of UTC CW574 is its reliable voltage stability which avoids unexpected frequency offset; therefore, the circuit of UTC CW574 contains temperature compensation to have lowermost temperature coefficient.

UTC assumes no responsibility for equipment failures that result from using products at values that exceed, even momentarily, rated values (such as maximum ratings, operating condition ranges, or other parameters) listed in products specifications of any and all UTC products described or contained herein. UTC products are not designed for use in life support appliances, devices or systems where malfunction of these products can be reasonably expected to result in personal injury. Reproduction in whole or in part is prohibited without the prior written consent of the copyright owner. The information presented in this document does not form part of any quotation or contract, is believed to be accurate and reliable and may be changed without notice.