

**ONE-TIME PROM VERSION 4-BIT SINGLE CHIP MICROCONTROLLER  
WITH DEDICATED ON-CHIP VCR CAMERA HARDWARE**

The  $\mu$ PD17P401 is a version of the  $\mu$ PD17401, incorporating various kinds of hardware ideally suited to VCR camera use, in which the on-chip mask ROM is replaced by one-time PROM.

Since the  $\mu$ PD17P401 can be programmed by the user, it is suitable for pre-production use in  $\mu$ PD17401 system development and for limited production.

**This data sheet should be read in conjunction with documentation on the  $\mu$ PD17401.**

**The electrical specifications of the  $\mu$ PD17P401 differ in some respects from those of the  $\mu$ PD17401 (supply current, etc.). Please note these differences before undertaking volume design of an application set.**

**FEATURES**

- $\mu$ PD17401 compatible (except electrical specifications)
- On-chip one-time PROM: 12288 x 16 bits
- Operating voltage range: 5 V  $\pm$ 10 %

**ORDERING INFORMATION**

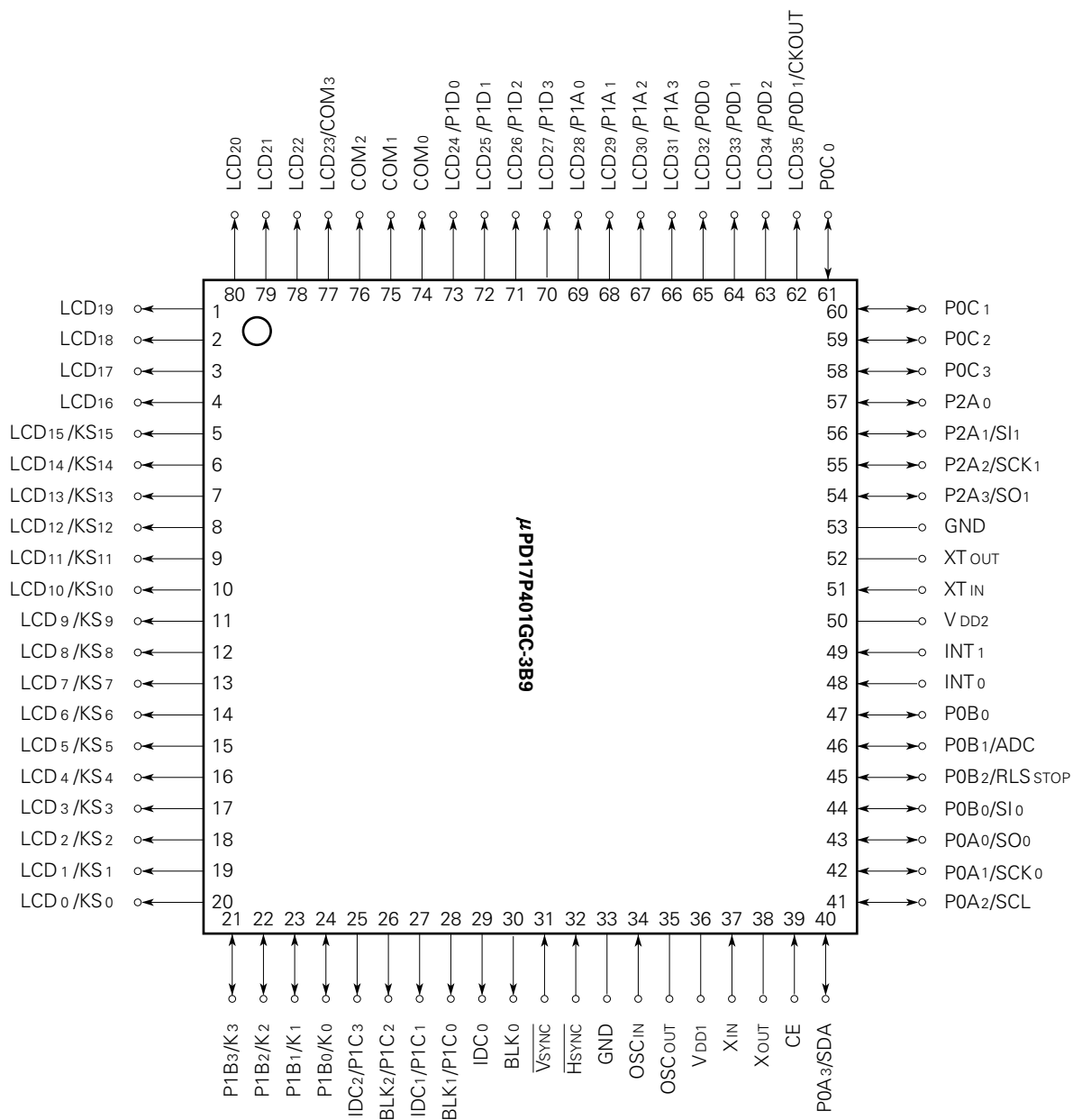
Order Code	Package	Quality Grade
$\mu$ PD17P401GC-xxx-3B9	80-pin plastic QFP (14 x 14 mm)	Standard

Please refer to "Quality grade on NEC Semiconductor Devices" (Document number IEI-1209) published by NEC Corporation to know the specification of quality grade on the devices and its recommended applications.

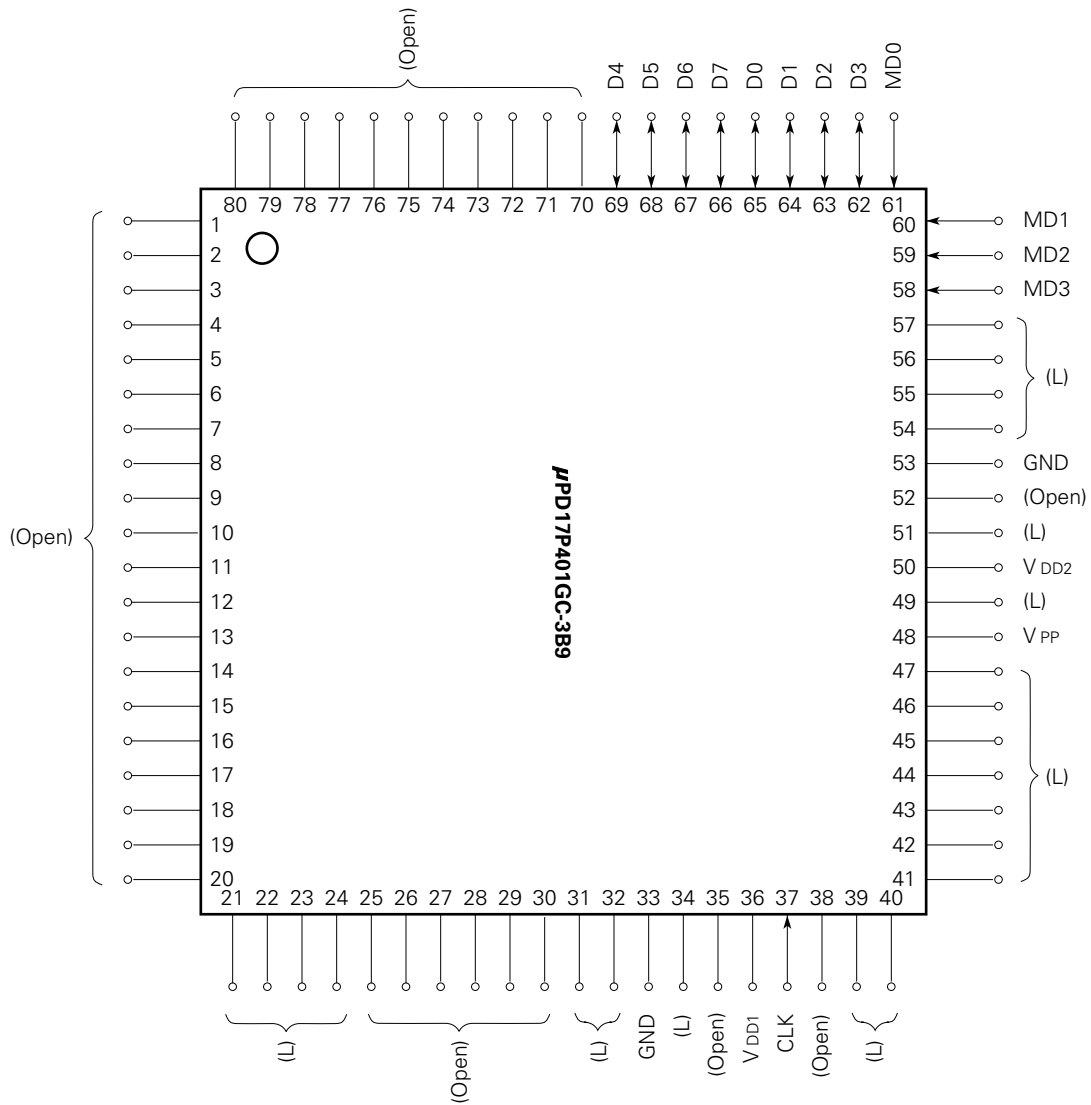
The information in this document is subject to change without notice.

PIN CONFIGURATION (Top View)

(1) Normal operating mode



(2) PROM programming mode



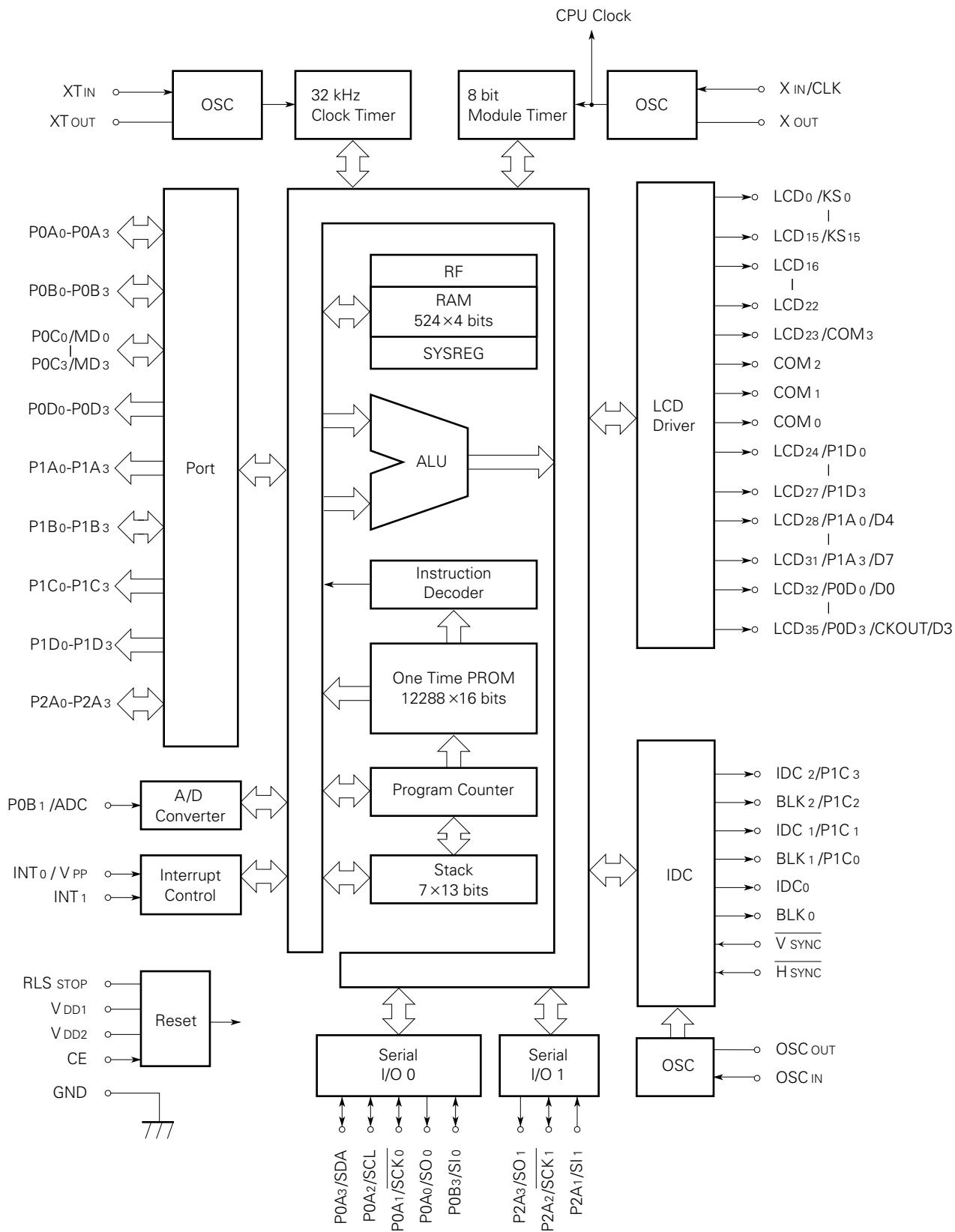
**Note** Items in parentheses indicate disposition of unused pins in the PROM programming mode.

**L** : Connect to GND via an individual resistor (470 Ω).

**Open:** Leave open.

P0A <sub>0</sub> to P0A <sub>3</sub>	: Input/output ports	SCL	: Serial clock input/output
P0B <sub>0</sub> to P0B <sub>3</sub>	: Input/output ports	SI <sub>0</sub> , SI <sub>1</sub>	: Serial data inputs
P0C <sub>0</sub> to P0C <sub>3</sub>	: Input/output ports	SO <sub>0</sub> , SO <sub>1</sub>	: Serial data outputs
P0D <sub>0</sub> to P0D <sub>3</sub>	: Output ports	$\overline{\text{SCK}}_0$ , $\overline{\text{SCK}}_1$	: Serial clock input/outputs
P1A <sub>0</sub> to P1A <sub>3</sub>	: Output ports	X <sub>IN</sub> , X <sub>OUT</sub>	: Main clock oscillator
P1B <sub>0</sub> to P1B <sub>3</sub>	: Input/output ports	XT <sub>IN</sub> , XT <sub>OUT</sub>	: Sub-clock oscillator
P1C <sub>0</sub> to P1C <sub>3</sub>	: Output ports	OSC <sub>IN</sub> , OSC <sub>OUT</sub>	: IDC oscillator
P1D <sub>0</sub> to P1D <sub>3</sub>	: Output ports	IDC <sub>0</sub> to IDC <sub>2</sub>	: IDC display signal outputs
P2A <sub>0</sub> to P2A <sub>3</sub>	: Input/output ports	BLK <sub>0</sub> to BLK <sub>2</sub>	: Blanking signal outputs
KS <sub>0</sub> to KS <sub>15</sub>	: Key source signal outputs	$\overline{\text{H}}_{\text{SYNC}}$	: Horizontal synchronization signal input
K <sub>0</sub> to K <sub>3</sub>	: Key source signal return inputs	$\overline{\text{V}}_{\text{SYNC}}$	: Vertical synchronization signal input
LCD <sub>0</sub> to LCD <sub>35</sub>	: LCD segment signal outputs	CLK	: PROM clock input
COM <sub>0</sub> to COM <sub>3</sub>	: LCD common signal outputs	MD <sub>0</sub> to MD <sub>3</sub>	: PROM mode selection inputs
CKOUT	: Sub-clock output	D <sub>0</sub> to D <sub>7</sub>	: PROM data input/outputs
RLS <sub>STOP</sub>	: Stop mode release input	V <sub>PP</sub>	: PROM power supply
CE	: Chip enable input	V <sub>DD1</sub> , V <sub>DD2</sub>	: Power supply
INT <sub>0</sub> , INT <sub>1</sub>	: External interrupt inputs	GND	: Ground
ADC	: A/D converter input		
SDA	: Serial data input/output		

BLOCK DIAGRAM



**CONTENTS**

**1. PIN FUNCTIONS ..... 7**

**1.1 NORMAL OPERATING MODE ..... 7**

**1.2 PROM PROGRAMMING MODE ..... 10**

**1.3 PIN EQUIVALENT CIRCUITS ..... 11**

**2. LIST OF FUNCTIONS ..... 17**

**3. ONE-TIME PROM (PROGRAM MEMORY) WRITE, READ AND VERIFY OPERATIONS ..... 19**

**3.1 PROGRAM MEMORY WRITE/READ/VERIFY OPERATING MODES ..... 19**

**3.2 PROGRAM MEMORY WRITE PROCEDURE ..... 20**

**3.3 PROGRAM MEMORY READ PROCEDURE ..... 21**

**4. ELECTRICAL CHARACTERISTICS ..... 22**

**5. PACKAGE DIMENSION ..... 28**

**APPENDIX. DEVELOPMENT TOOLS ..... 29**

1. PIN FUNCTIONS

1.1 NORMAL OPERATING MODE

PIN NO.	SYMBOL	FUNCTION	OUTPUT TYPE	AFTER POWER-ON RESET
62   65 66   69 70   73 74   76 77 78   80 1   4 5   20	LCD35/P0D3/CKOUT   LCD32/P0D0 LCD31/P1A3   LCD28/P1A0 LCD27/P1D3   LCD24/P1D0 COM0   COM2 LCD23/COM3 LCD22   LCD20 LCD19   LCD16 LCD15/KS15   LCD0/KS0	LCD controller/driver segment signal, LCD controller/driver common signal, key matrix key source signal, port 0D, port 1A, port 1D and watchdog timer 32 kHz crystal resonator oscillation signal outputs. <ul style="list-style-type: none"> <li>• LCD35 to LCD0</li> <li>• LCD controller/driver segment signal outputs</li> <li>• COM0 to COM3</li> <li>• LCD controller/driver common signal outputs</li> <li>• KS15 to KS0</li> <li>• Key matrix key source signal outputs</li> <li>• P0D3 to P0D0</li> <li>• 4-bit CMOS output port</li> <li>• P1A3 to P1A0</li> <li>• 4-bit CMOS output port</li> <li>• P1D3 to P1D0</li> <li>• 4-bit CMOS output port</li> <li>• CKOUT</li> <li>• Watchdog timer 32 kHz oscillation signal output</li> <li>• Watchdog timer 32 kHz crystal resonator (XTIN, XTOUT) oscillation frequency adjustment</li> </ul>	CMOS	Low-level output (LCD35 to LCD0, COM0 to COM3)
21   24	P1B3/K3   P1B0/K0	Port 1B and LCD segment key source signal return inputs. <ul style="list-style-type: none"> <li>• P1B3 to P1B0</li> <li>• 4-bit input/output port</li> <li>• Input/output set capability as a 4-bit unit</li> <li>• Internal pull-up resistor OFF</li> <li>• K3 to K0</li> <li>• Key source signal return inputs</li> <li>• Internal pull-up resistor ON</li> </ul>	Inputs with pull-up resistor	Input (P1B3 to P1B0)
25 26 27 28 29 30	IDC2/P1C3 BLK2/P1C2 IDC1/P1C1 BLK1/P1C0 IDC0 BLK0	IDC (Image Display Controller) character display signal and blanking signal, and port 1C outputs. <ul style="list-style-type: none"> <li>• IDC2 to IDC0</li> <li>• Character display signal outputs</li> <li>• BLK2 to BLK0</li> <li>• Character display blanking signal outputs</li> <li>• P1C3 to P1C0</li> <li>• 4-bit CMOS output port</li> </ul>	CMOS push-pull	Low-level output (IDC2 to IDC0, BLK2 to BLK0)

PIN NO.	SYMBOL	FUNCTION	OUTPUT TYPE	AFTER POWER-ON RESET
31	$\overline{V_{SYNC}}$	Inputs the IDC (Image Display Controller) vertical synchronization signal. Controls timing for output of the IDC character display signal and blanking signal. Should be made an active-low input. Either the rising edge or falling edge may be selected as the valid edge for an interrupt request.	—	Input
32	$\overline{H_{SYNC}}$	Inputs the IDC (Image Display Controller) horizontal synchronization signal. Controls timing for output of the IDC character display signal and blanking signal. Should be made an active-low input.	—	Input
33	GND	Pins for ground. Pins 33 and 53 are connected within the chip, but should also be connected to the same potential externally taking into consideration the characteristics of the IDC (Image Display Controller).	—	—
34 35	OSC <sub>IN</sub> OSC <sub>OUT</sub>	Connect the IDC (Image Display Controller) LC oscillator. This oscillation frequency is used to generate the character display signal. The oscillator is stopped when CE is low.	— CMOS push-pull	—
36	V <sub>DD1</sub>	Positive power supply. Applies 5 V ±10 % in normal operation mode.	—	—
37 38	X <sub>IN</sub> X <sub>OUT</sub>	Connect the system clock oscillator. A 10 MHz crystal resonator or ceramic resonator should be connected.	— CMOS push-pull	—
39	CE	μPD17P401 operation selection signal and reset signal input	—	Input



PIN NO.	SYMBOL	FUNCTION	OUTPUT TYPE	AFTER POWER-ON RESET
40 41 42 43 44 45 46 47	P0A3/SDA P0A2/SCL P0A1/SCK0 P0A0/SO0 P0B3/SI0 P0B2/RLSSTOP P0B1/ADC P0B0	Port 0A, port 0B, serial interface, clock stop release and A/D converter input/outputs. <ul style="list-style-type: none"> <li>• P0A3 to P0A0 <ul style="list-style-type: none"> <li>• 4-bit input/output port</li> <li>• Input/output settable bit-wise</li> </ul> </li> <li>• P0B3 to P0B0 <ul style="list-style-type: none"> <li>• 4-bit CMOS input/output port</li> <li>• Input/output settable bit-wise</li> </ul> </li> <li>• SDA, SCL <ul style="list-style-type: none"> <li>• SDA : Serial data input/output</li> <li>• SCL : Serial clock input/output</li> </ul> </li> <li>• <math>\overline{SCK0}</math>, SO0, SI0 <ul style="list-style-type: none"> <li>• <math>\overline{SCK0}</math> : Serial clock input/output</li> <li>• SO0 : Serial data output</li> <li>• SI0 : Serial data input</li> </ul> </li> <li>• RLSSTOP <ul style="list-style-type: none"> <li>• Clock stop release</li> </ul> </li> <li>• ADC <ul style="list-style-type: none"> <li>• Analog input to 6-bit resolution A/D converter</li> </ul> </li> </ul>	N-ch open-drain V <sub>DD</sub> withstand voltage (P0A3/SDA, P0A2/SCL)  CMOS push-pull (P0A1/SCK0, P0A0/SO0, P0B3, P0B2/RLSSTOP, P0B1, P0B0)	Input (P0A3 to P0A0, P0B3 to P0B0)
48 49	INT0 INT1	Input external interrupt request signal. Either the rising edge or falling edge may be selected as the effective edge for an interrupt request.	—	Input
50	VDD2	Watchdog 32 kHz oscillator power supply.	—	—
51 52	XTIN XTOUT	Connects watchdog 32 kHz oscillator. A 32 kHz crystal resonator should be connected.	— COMS push-pull	—
53	GND	Pin for ground. Pins 33 and 53 are connected within the chip, but should also be connected to the same potential externally taking into consideration the characteristics of the IDC (Image Display Controller).	—	—
54 55 57 58	P2A3/SO1 P2A2/SCK1 P2A1/SI1 P2A0	Port 2A and serial interface input/outputs. <ul style="list-style-type: none"> <li>• P2A3 to P2A0 <ul style="list-style-type: none"> <li>• 4-bit input/output port</li> <li>• Input/output set capability as bit-wise</li> </ul> </li> <li>• SO1, <math>\overline{SCK1}</math>, SI1 <ul style="list-style-type: none"> <li>• SO1 : Serial data output</li> <li>• <math>\overline{SCK1}</math> : Serial clock input/output</li> <li>• SI1 : Serial data input</li> </ul> </li> </ul>	N-ch open-drain 16 V withstand voltage (P2A3/SO1, P2A2/SCK1, P2A1, P2A0)	Input (P2A3 to P2A0)
58   61	POC3   POC0	4-bit CMOS input/output port. Input/output set capability as bit-wise.	CMOS push-pull	Input

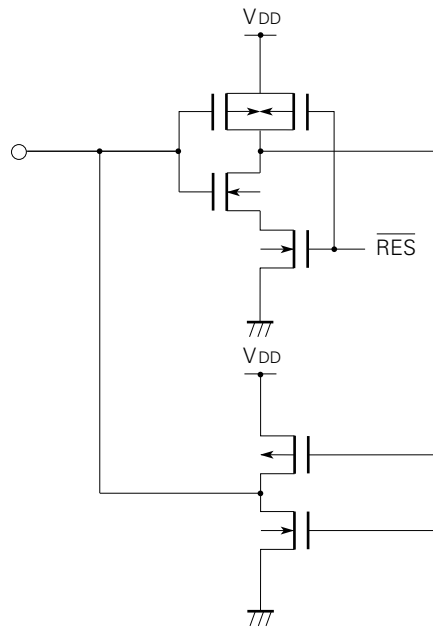
1.2 PROM PROGRAMMING MODE

PIN NO.	SYMBOL	FUNCTION	OUTPUT TYPE
33	GND	Ground. Pins 33 and 53 are connected within the chip, but should also be connected to the same potential externally.	—
36	V <sub>DD1</sub>	Positive power supply. Applies 6 V in program memory write, read and verify operations.	—
37	CLK	PROM programming clock input.	—
48	V <sub>PP</sub>	Positive power supply for PROM programming. Applies 12.5 V as program voltage in program memory write, read and verify operations.	—
50	V <sub>DD2</sub>	Positive power supply. Applies 6 V in program memory write, read and verify operations.	—
53	GND	Ground. Pins 33 and 53 are connected within the chip, but should also be connected to the same potential externally.	—
58   61	MD3   MD0	Operating mode selection inputs for PROM programming.	—
62   65 66   69	D3   D0 D7   D4	PROM programming 8-bit data input/output.	CMOS push-pull

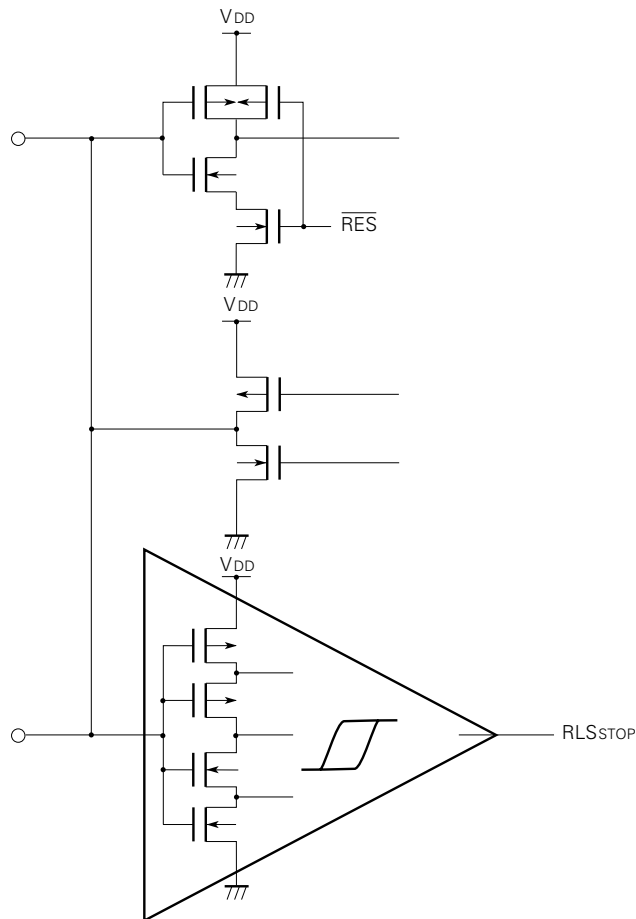
**Remarks** Pins other than the above are not used in the PROM programming mode. See “PIN CONFIGURATION (2) PROM PROGRAMMING MODE” for the disposition of unused pins.

1.3 PIN EQUIVALENT CIRCUITS

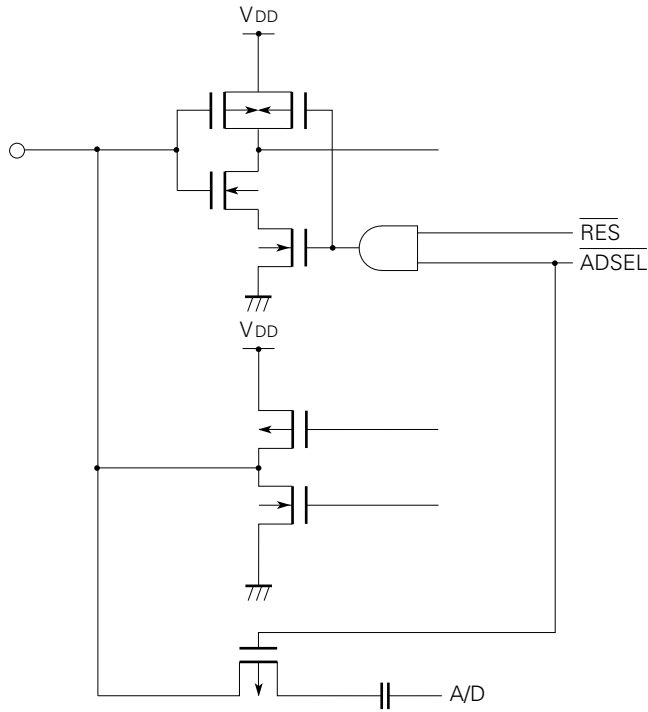
- 1.3.1 P0A (P0A<sub>1</sub>/ $\overline{\text{SCK}}_0$ , P0A<sub>0</sub>/SO<sub>0</sub>)
  - P0B (P0B<sub>3</sub>/SI<sub>0</sub>, P0B<sub>0</sub>)
  - P0C (P0C<sub>3</sub>, P0C<sub>2</sub>, P0C<sub>1</sub>, P0C<sub>0</sub>)
- } (Input/output)



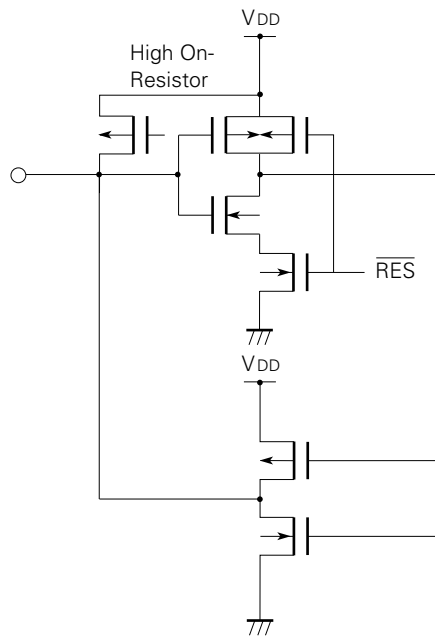
1.3.2 P0B (P0B<sub>2</sub>/RLS<sub>STOP</sub>) Input/output



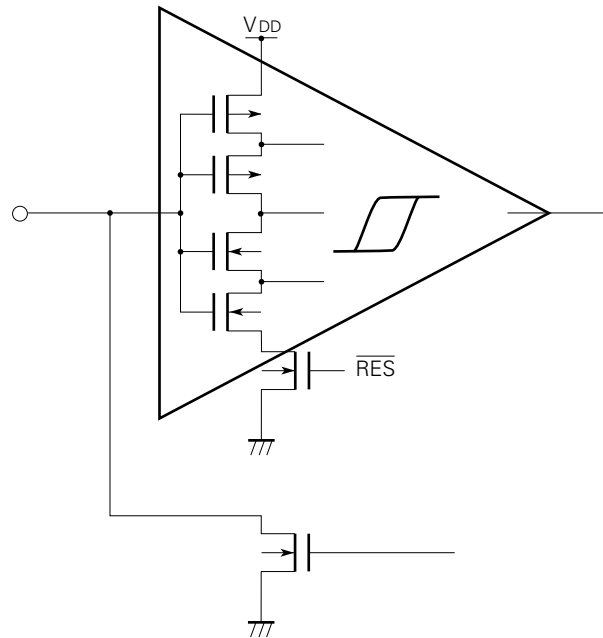
1.3.3 P0B (P0B1/ADC) (Input/output)



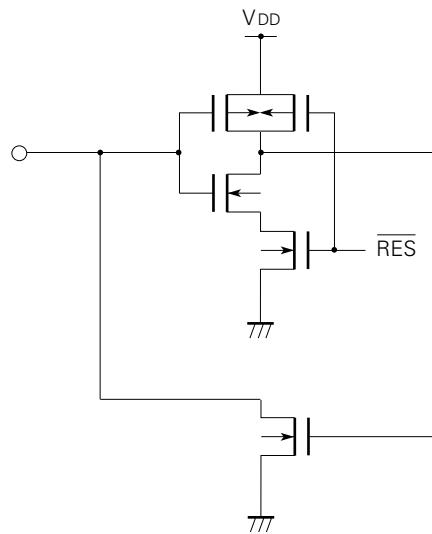
1.3.4 P1B (P1B3, P1B2, P1B1, P1B0) (Input/output)



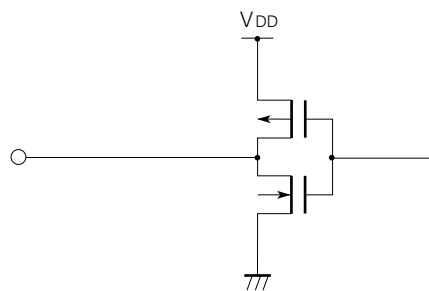
1.3.5 P0A (P0A<sub>3</sub>/SDA, P0A<sub>2</sub>/SCL) (Input/output)



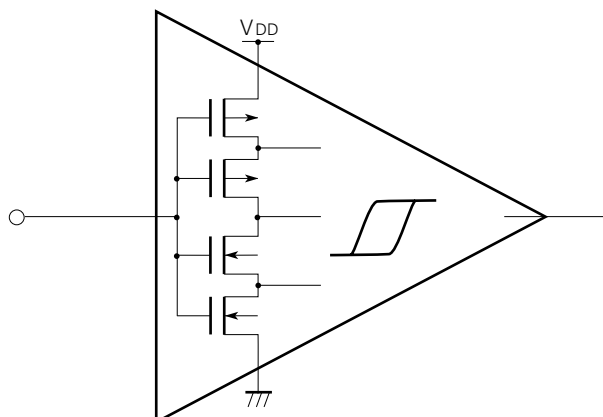
1.3.6 P2A (P2A<sub>3</sub>/SO<sub>1</sub>, P2A<sub>2</sub>/SCK<sub>1</sub>, P2A<sub>1</sub>/SI<sub>1</sub>, P2A<sub>0</sub>) (Input/output)



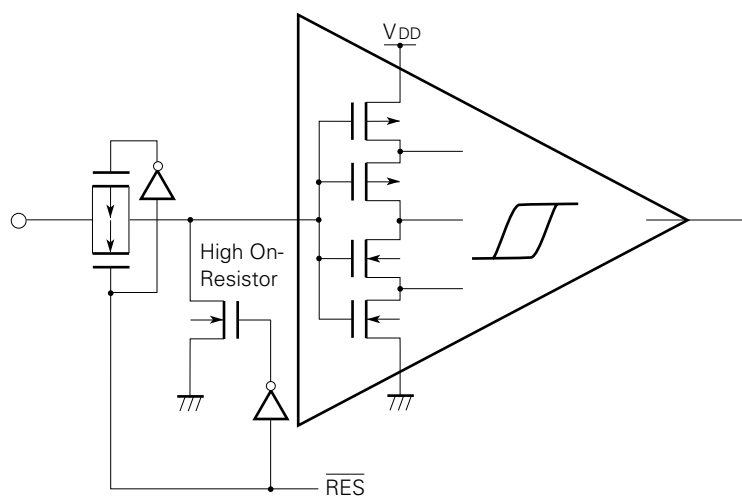
1.3.7 P1C (IDC<sub>2</sub>/P1C<sub>3</sub>, BLK<sub>2</sub>/P1C<sub>2</sub>, IDC<sub>1</sub>/P1C<sub>1</sub>, BLK<sub>1</sub>/P1C<sub>0</sub>) } (Output)  
IDC<sub>0</sub>, BLK<sub>0</sub>



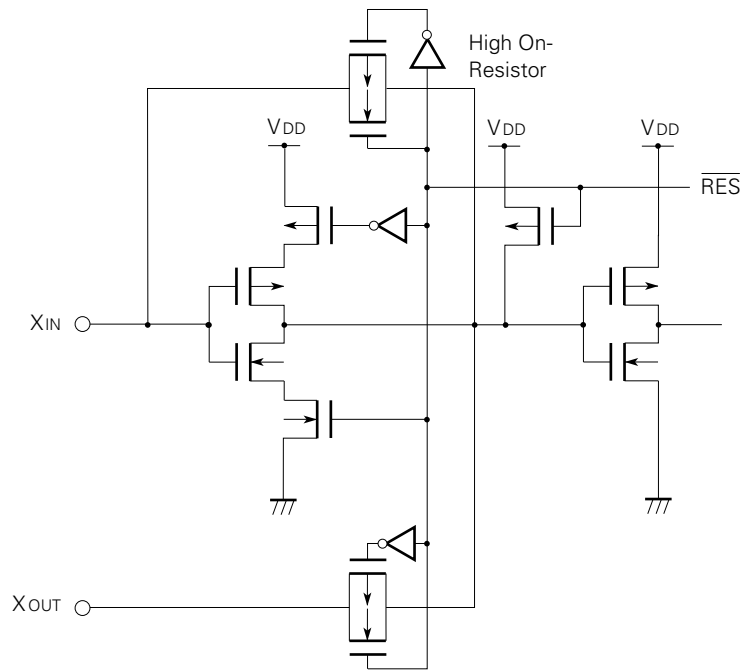
1.3.8 CE  
INT<sub>1</sub>, INT<sub>0</sub> } (Input)



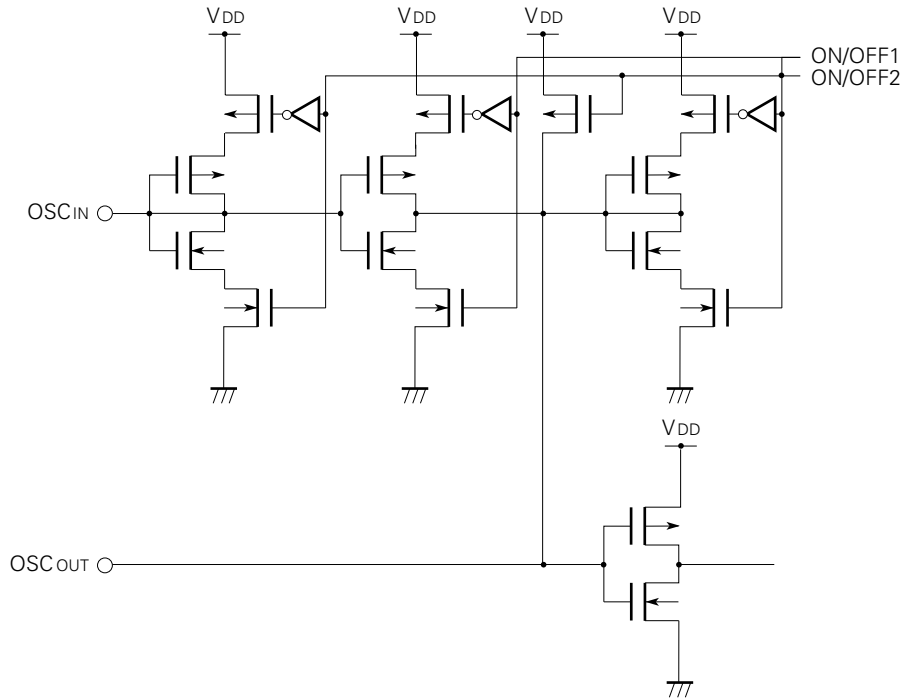
1.3.9  $\overline{V_{SYNC}}$ ,  $\overline{H_{SYNC}}$  (Input)



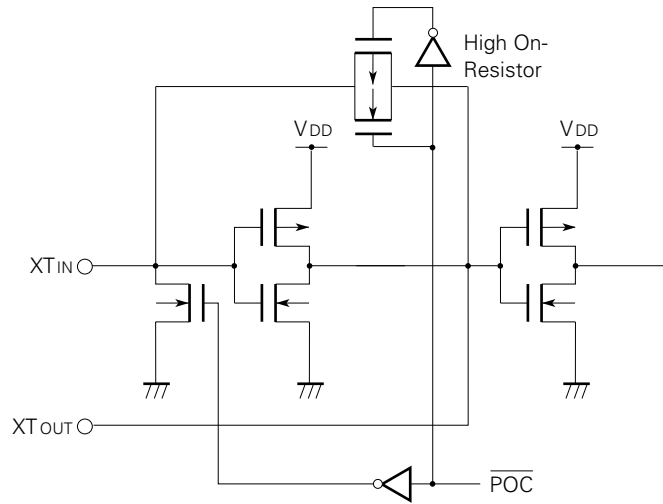
1.3.10 X<sub>IN</sub> (Input), X<sub>OUT</sub> (Output)



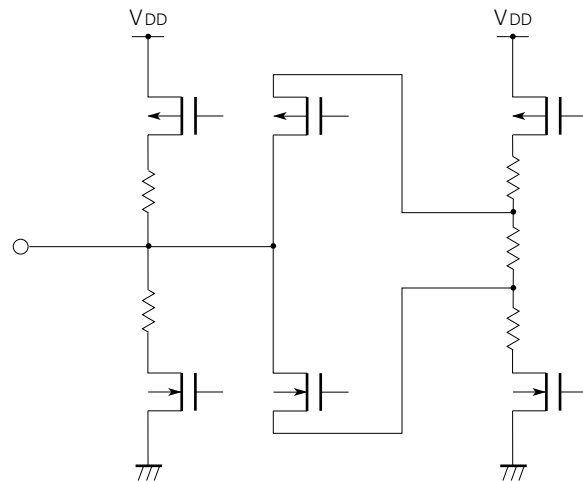
1.3.11 OSC<sub>IN</sub> (Input), OSC<sub>OUT</sub> (Output)



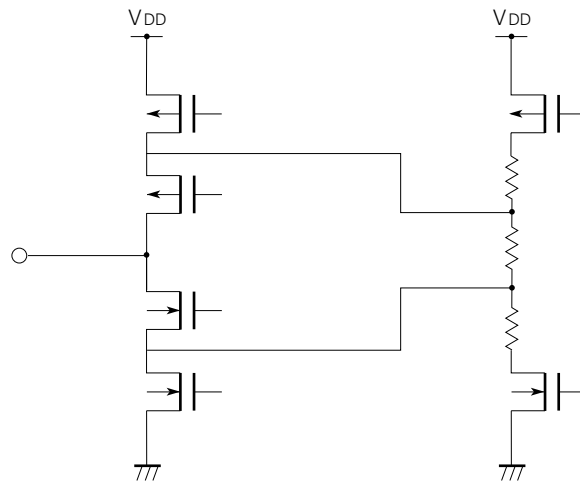
1.3.12 XT<sub>IN</sub> (Input), XT<sub>OUT</sub> (Output)



1.3.13 LCD<sub>23</sub>/COM<sub>3</sub>, COM<sub>2</sub>, COM<sub>1</sub>, COM<sub>0</sub> (Output)



1.3.14 LCD<sub>35</sub>/P0D<sub>3</sub>/CKOUT-LDC<sub>0</sub>/KS<sub>0</sub>\* (Output)



\* Except LCD<sub>23</sub>/COM<sub>3</sub>, COM<sub>2</sub>, COM<sub>1</sub>, COM<sub>0</sub>



2. LIST OF FUNCTIONS

Product Name		μPD17401	μPD17P401
ROM		12288 × 16 bits (Mask ROM)	12288 × 16 bits (PROM)
	Table reference area	12288 × 16 bits	
RAM		524 × 4 bits	
	Data buffers	4 × 4 bits	
	General registers	16 × 4 bits	
System registers		12 × 4 bits	
Register file		45 × 4 bits	
General-purpose port registers		45 × 4 bits	
	Port registers	9 × 4 bits	
	LCD registers	36 × 4 bits	
Instruction execution time		1.6 μs (with 10 MHz crystal resonator connected)	
Stack levels		7 levels (stack manipulation capability)	
General-purpose ports	Input/output ports	20	
	Input ports	0	
	Output ports	16 (Segment dual-function: 12)	
Image display controller (IDC)		<ul style="list-style-type: none"> <li>• Display characters: Max. 155 characters on one screen</li> <li>• Display positions : 14 lines × 24 columns</li> <li>• Character set : 255 characters (user-programmable)</li> <li>• Character format : 10 × 15 dots (2-dot space settable between characters)</li> <li>• Character size : Vertical/horizontal size independently settable Vertical (14, 28, 42, 56H) Horizontal (2, 4, 6, 8 μs)</li> <li>• Output pins : Blanking signal independently settable</li> </ul>	
LCD controller/driver		<ul style="list-style-type: none"> <li>• At 1/3 duty, 1/3 bias: 36 segments, 3 common</li> <li>• At 1/4 duty, 1/3 bias: 35 segments, 4 common</li> <li>Frame frequency : 250/n Hz (n = duty)</li> <li>Drive voltage : V<sub>DD</sub></li> <li>Key source dual-function pins: 16 pins</li> <li>12 pins usable as output port (4/4/4/4 pins independently settable)</li> </ul>	
Serial interface		<ul style="list-style-type: none"> <li>• 2 systems (3 channels)</li> <li>8-bit 3-wire: 2 channels</li> <li>8-bit 2-wire: 1 channel</li> </ul>	
A/D converter		<ul style="list-style-type: none"> <li>• 6 bits × 1 (successive approximation by software)</li> </ul>	
Interrupts		<ul style="list-style-type: none"> <li>• 5 channels (maskable interrupts)</li> <li>External interrupts: 3 channels (INT<sub>0</sub>, INT<sub>1</sub>, <math>\overline{V_{sync}}</math> pins)</li> <li>Internal interrupts: 2 channels (modulo timer, serial interface 0)</li> </ul>	
Timer		<ul style="list-style-type: none"> <li>• 3 systems</li> <li>Timer carry F/F (100 ms)</li> <li>8-bit modulo timer (1/2/8/80 kHz)</li> <li>Clock 32 kHz counter (week, day, hour, min., sec. count)</li> </ul>	

Item \ Product Name	μPD17401	μPD17P401
Reset	<ul style="list-style-type: none"> <li>• Power-ON reset (when power is turned on)</li> <li>• Reset via CE pin (CE pin: Low → high)</li> <li>• Power failure detection function</li> </ul>	
Standby	<ul style="list-style-type: none"> <li>• HALT mode: Release by CE, timer carry, interrupt, key input</li> <li>• STOP mode: Release by CE or RLSSTOP pin</li> </ul>	
Supply voltage	5 V +10 %	
Package	80-pin plastic QFP (14 × 14 mm)	

### 3. ONE-TIME PROM (PROGRAM MEMORY) WRITE, READ AND VERIFY OPERATIONS

The program memory incorporated in the μPD17P401 is 24576 × 8-bit electrically programmable one-time PROM. In normal operation, this PROM is accessed in a 16-bit word mode, but in program memory write, read and verify operations the memory is accessed in 8-bit word mode. In this case, the high-order 8 bits of the 16-bit word are allocated to an even address, and the low-order 8 bits to an odd address.

For PROM write, read and verify operations, PROM mode is set and the pins shown in Table 3-1 are used. Address updating is performed by means of clock input from the CLK pin rather than by address input.

**Table 3-1 Pins Used in Program Memory Write, Read and Verify**

Pin Name	Function
V <sub>PP</sub>	Program voltage (12.5 V) application
CLK	Address update clock input
MD0 to MD3	Operating mode selection
D0 to D7	8-bit data input/output
V <sub>DD1</sub> , V <sub>DD2</sub>	Supply voltage (6 V) application

Writing to the on-chip PROM is performed using a PROM programmer and dedicated program adapter. The following types of PROM programmer and program adapter should be used:

PROM programmer	AF-9703 (Manufactured by Ando Electric, Co., Ltd.) AF-9704 (Manufactured by Ando Electric, Co., Ltd.)
Program adapter	AF-9808D (Manufactured by Ando Electric, Co., Ltd.)

#### 3.1 PROGRAM MEMORY WRITE/READ/VERIFY OPERATING MODES

When +6 V is applied to the V<sub>DD</sub> pin and +12.5 V to the V<sub>PP</sub> pin, the μPD17P401 enters a program memory write/read/verify mode.

This mode is one of the operating modes shown in Table 3-2 according to the setting of pins MD0 to MD3.

Input pins not used in the program memory write/read/verify mode should be left open or connected to ground via a pull-down resistor (470 Ω) (see “PIN CONFIGURATION (2) PROM PROGRAMMING MODE”).

**Table 3-2 Program Memory Write/Read/Verify Operating Modes**

Operating Mode Specification						Operating Mode
V <sub>PP</sub>	V <sub>DD</sub>	MD0	MD1	MD2	MD3	
+12.5 V	+6 V	H	L	H	L	Program memory address zero-clear
		L	H	H	H	Write mode
		L	L	H	H	Read/verify mode
		H	X	H	H	Program inhibit mode

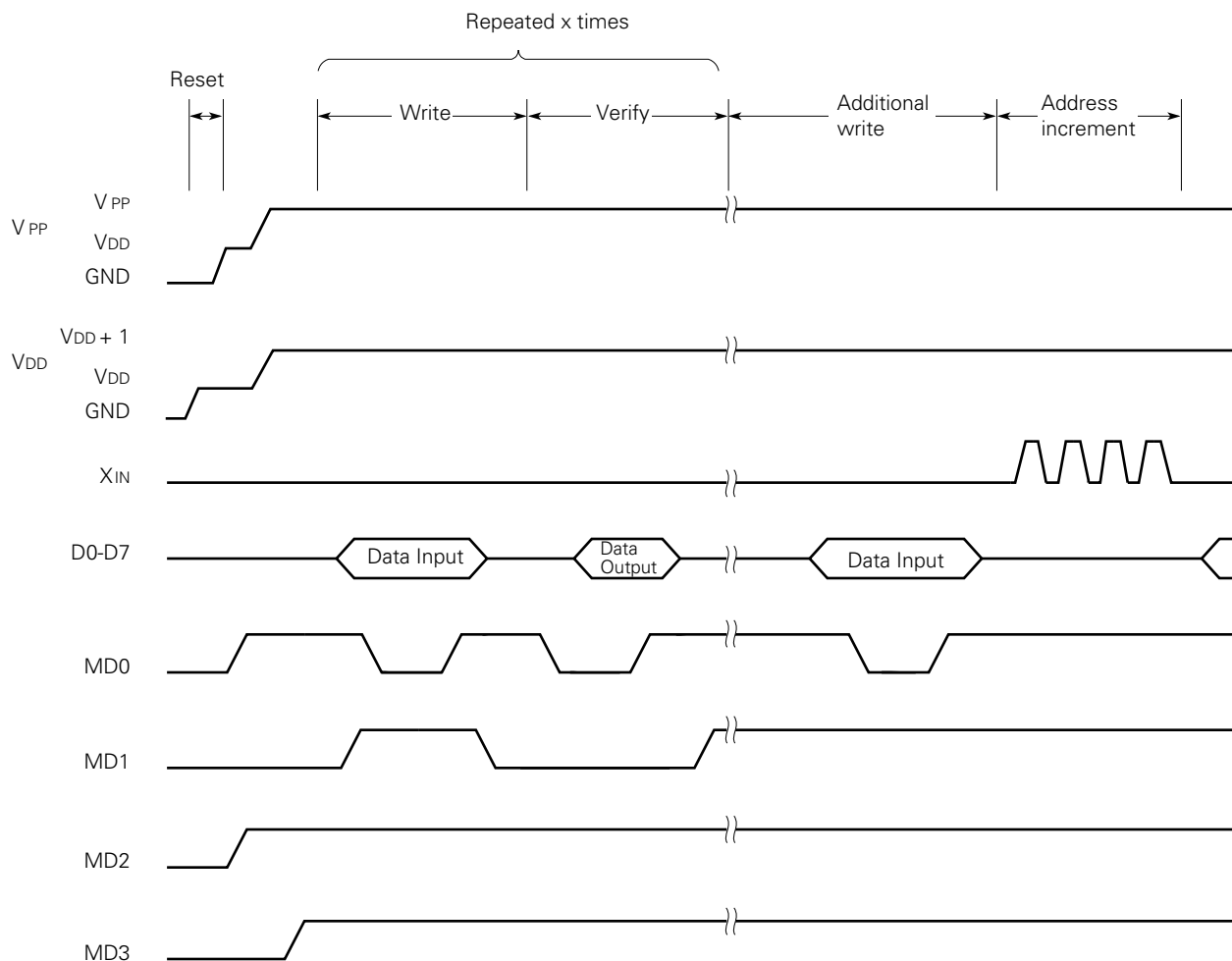
**Remarks** X: L or H

### 3.2 PROGRAM MEMORY WRITE PROCEDURE

The procedure for writing to program memory is as shown below, allowing high-speed writing.

- (1) Unused pins are connected to GND with a pull-down resistor. The CLK pin is driven low.
- (2) 5 V is supplied to the V<sub>DD</sub> pin. The V<sub>PP</sub> pin is driven low.
- (3) 5 V is supplied to the V<sub>PP</sub> pin after a 10 μs wait.
- (4) The mode setting pin is set to the program memory address zero-clear mode.
- (5) 6 V is supplied to V<sub>DD</sub>, 12.5 V to V<sub>PP</sub>.
- (6) Program inhibit mode.
- (7) Data is written in 1 ms write mode.
- (8) Program inhibit mode.
- (9) Verify mode. If write is successful, go to (10), otherwise repeat (7) to (9).
- (10) (Number of times written in (7) to (9): X) × 1 ms additional writes.
- (11) Program inhibit mode.
- (12) Program memory address is updated (+1) by inputting 4 pulses to the CLK pin.
- (13) Steps (7) to (12) are repeated until the last address.
- (14) Program memory address zero-clear mode.
- (15) V<sub>DD</sub>/V<sub>PP</sub> pin voltage is changed to 5 V.
- (16) Power OFF.

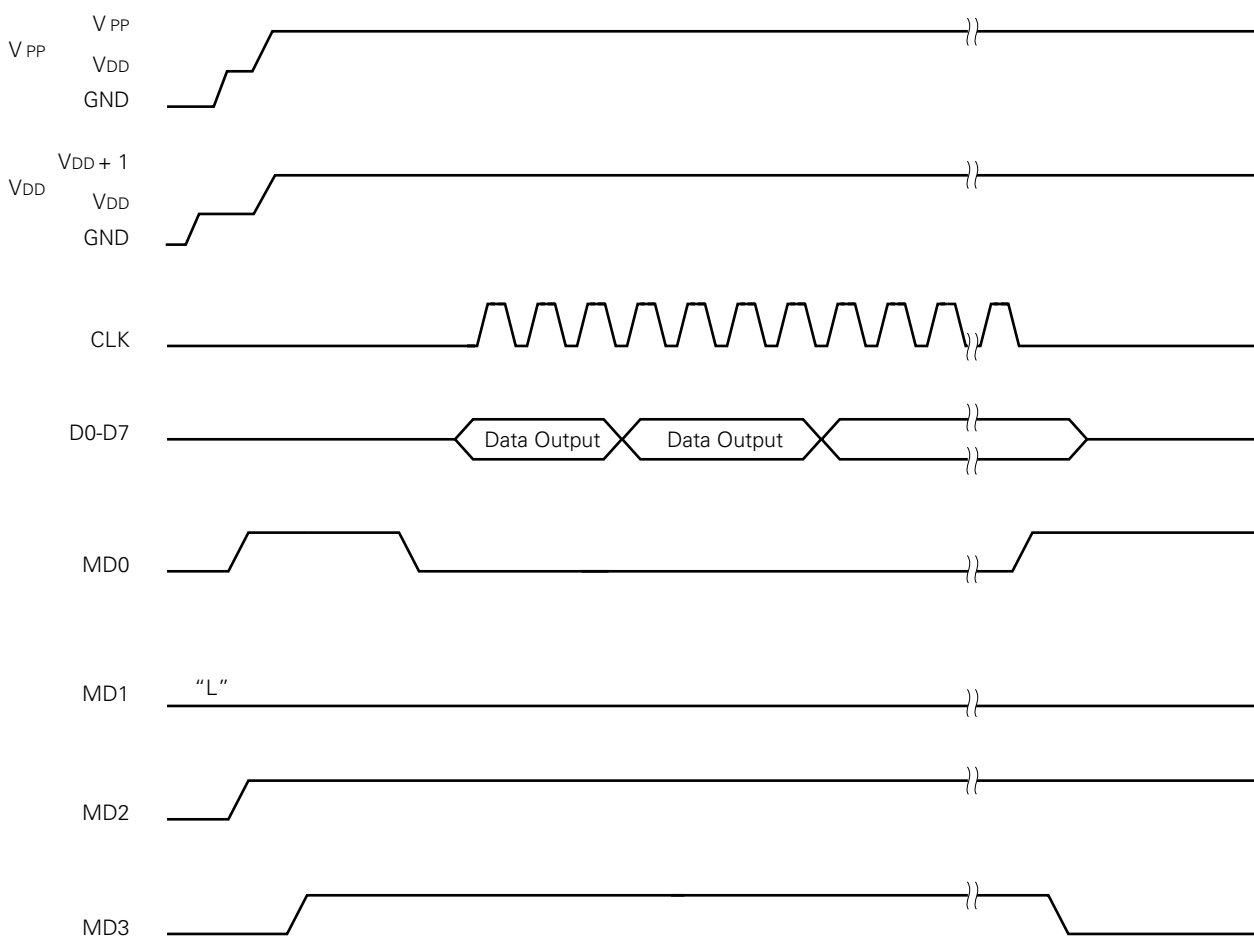
Steps (2) to (12) of this procedure are shown in the following Figure.



**3.3 PROGRAM MEMORY READ PROCEDURE**

- (1) Unused pins are connected to GND with a pull-down resistor. The CLK pin is driven low.
- (2) 5 V is supplied to the V<sub>DD</sub> pin. The V<sub>PP</sub> pin is driven low.
- (3) 5 V is supplied to the V<sub>PP</sub> pin after a 10 μs wait.
- (4) The mode setting pin is set to the program memory address zero-clear mode.
- (5) 6 V is supplied to V<sub>DD</sub>, 12.5 V to V<sub>PP</sub>.
- (6) Program inhibit mode.
- (7) Verify mode. When clock pulses are input to the CLK pin, data is output sequentially, one address per 4-input cycle.
- (8) Program inhibit mode.
- (9) Program memory address zero-clear mode.
- (10) V<sub>DD</sub>/V<sub>PP</sub> pin voltage is changed to 5 V.
- (11) Power OFF.

Steps (2) to (9) of this procedure are shown in the following Figure.



4. ELECTRICAL CHARACTERISTICS (PRELIMINARY)

ABSOLUTE MAXIMUM RATINGS (T<sub>a</sub> = 25 °C)

Supply Voltage	V <sub>DD</sub>		-0.3 to +6.0	V
PROM Supply Voltage	V <sub>PP</sub>		-0.3 to +13.5	V
Input Voltage	V <sub>I</sub>		-0.3 to V <sub>DD</sub> +0.3	V
Output Voltage	V <sub>O</sub>	Except P1A <sub>0</sub> to P1A <sub>3</sub>	-0.3 to V <sub>DD</sub> +0.3	V
Output Withstand Voltage	V <sub>BDS1</sub>	P0A <sub>2</sub> , P0A <sub>3</sub>	V <sub>DD</sub> +0.3	V
Output Withstand Voltage	V <sub>BDS2</sub>	P2A <sub>0</sub> to P2A <sub>3</sub>	18.0	V
Output Current High	I <sub>OH</sub>	1 pin	-10.0	mA
		All pins	-20.0	mA
Output Current Low	I <sub>OL</sub>	1 pin	10.0	mA
		All pins	20.0	mA
Total Loss	P <sub>T</sub>		450	mW
Operating Temperature	T <sub>opt</sub>		-40 to +85	°C
Storage Temperature	T <sub>stg</sub>		-55 to +125	°C

RECOMMENDED OPERATING CONDITIONS

CHARACTERISTICS	SYMBOL	MIN.	TYP.	MAX.	UNIT	CONDITIONS
Supply Voltage	V <sub>DD1</sub>	4.5	5.0	5.5	V	CPU and IDC operating
	V <sub>DD2</sub>	3.5	5.0	5.5	V	CPU operating, IDC stopped
	V <sub>DD3</sub>	2.2	5.0	5.5	V	CPU and IDC stopped, clock timer operating
Data Hold Voltage	V <sub>DDR</sub>	2.2		5.5	V	Crystal oscillation stopped
Supply Voltage Rise Time	t <sub>RISE</sub>			500	ms	V <sub>DD</sub> = 0 → 4.5 V
Output Withstand Voltage	V <sub>BDS</sub>			16.0	V	P2A <sub>0</sub> to P2A <sub>3</sub>
Operating Temperature	T <sub>a</sub>	-40		+85	°C	

DC CHARACTERISTICS (T<sub>a</sub> = -40 to +85 °C, V<sub>DD</sub> = 4.5 to 5.5 V)

CHARACTERISTICS	SYMBOL	STANDARD VALUES				CONDITIONS
		MIN.	TYP.	MAX.	UNIT	
Supply Voltage	V <sub>DD1</sub>	4.5	5.0	5.5	V	IDC operating
	V <sub>DD2</sub>	3.5	5.0	5.5	V	CPU operating
	V <sub>DD3</sub>	3.5	5.0	5.5	V	Clock timer operating
Supply Current	I <sub>DD1</sub>		2.6		mA	CPU operating, IDC stopped X <sub>IN</sub> pin sine wave input (f <sub>IN</sub> = 10 MHz, V <sub>IN</sub> = V <sub>DD</sub> ) T <sub>a</sub> = 25 °C
	I <sub>DD2</sub>		2.0		mA	CPU operating, IDC stopped, HALT instruction used 20 instruction executed per 1 ms X <sub>IN</sub> pin sine wave input (f <sub>IN</sub> = 10 MHz, V <sub>IN</sub> = V <sub>DD</sub> ) T <sub>a</sub> = 25 °C
Data Hold Voltage	V <sub>DDR1</sub>	3.5		5.5	V	Using power failure detection by timer F/F Crystal oscillation
	V <sub>DDR2</sub>	2.2		5.5	V	Using power failure detection by timer F/F Crystal oscillation stopped
	V <sub>DDR3</sub>	2.0		5.5	V	Data memory (RAM) hold
Data Hold Current	I <sub>DDR1</sub>		4	6	μA	Crystal oscillation stopped, clock timer operating T <sub>a</sub> = 25 °C
	I <sub>DDR2</sub>		2	6	μA	Crystal oscillation stopped, clock timer operating V <sub>DD</sub> = 5.0 V, T <sub>a</sub> = 25 °C
	I <sub>DDR3</sub>		6	8	μA	Crystal oscillation stopped, clock timer stopped T <sub>a</sub> = 25 °C
	I <sub>DDR4</sub>		5	6	μA	Crystal oscillation stopped, clock timer stopped V <sub>DD</sub> = 5.0 V, T <sub>a</sub> = 25 °C
Output Voltage Medium	V <sub>OMH1</sub>	3.1	3.3	3.5	V	COM <sub>0</sub> , COM <sub>1</sub> , COM <sub>3</sub> V <sub>DD</sub> = 5 V
	V <sub>OMM1</sub>	2.3	2.5	2.7	V	COM <sub>0</sub> , COM <sub>1</sub> , COM <sub>3</sub> V <sub>DD</sub> = 5 V
	V <sub>OML1</sub>	1.4	1.6	1.8	V	COM <sub>0</sub> , COM <sub>1</sub> , COM <sub>3</sub> V <sub>DD</sub> = 5 V
Input Voltage High	V <sub>IH1</sub>	0.7 V <sub>DD</sub>			V	P0A <sub>0</sub> to P0A <sub>3</sub> , P0B <sub>0</sub> to P0B <sub>3</sub> , P0C <sub>0</sub> to P0C <sub>3</sub> , P2A <sub>0</sub> to P2A <sub>3</sub>
	V <sub>IH2</sub>	0.6 V <sub>DD</sub>			V	P1B <sub>0</sub> to P1B <sub>3</sub>
	V <sub>IH3</sub>	0.8 V <sub>DD</sub>			V	CE, INT <sub>0</sub> , INT <sub>1</sub> , <u>HSYNC</u> , <u>VS<sub>SYNC</sub></u>

CHARACTERISTICS	SYMBOL	STANDARD VALUES				CONDITIONS
		MIN.	TYP.	MAX.	UNIT	
Input Voltage Low	V <sub>IL1</sub>			0.3 V <sub>DD</sub>	V	P0A <sub>0</sub> to P0A <sub>3</sub> , P0B <sub>0</sub> to P0B <sub>3</sub> , P0C <sub>0</sub> to P0C <sub>3</sub> , P2A <sub>0</sub> to P2A <sub>3</sub>
	V <sub>IL2</sub>			0.3 V <sub>DD</sub>	V	P1B <sub>0</sub> to P1B <sub>3</sub>
	V <sub>IL3</sub>			0.2 V <sub>DD</sub>	V	CE, INT <sub>0</sub> , INT <sub>1</sub> , H <sub>SYNC</sub> , V <sub>SYNC</sub>
Output Current High	I <sub>OH1</sub>	-1.0		-5.0	mA	* V <sub>OH</sub> = V <sub>DD</sub> - 1 V
	I <sub>OH2</sub>	-0.5	-1.0	-1.5	mA	LCD <sub>0</sub> to LCD <sub>35</sub> V <sub>OH</sub> = V <sub>DD</sub> - 1 V
	I <sub>OH3</sub>	-0.1	-0.8		mA	P1B <sub>0</sub> to P1B <sub>3</sub> pulled high V <sub>OH</sub> = GND
Output Current Low	I <sub>OL1</sub>	1.0			mA	* V <sub>OL</sub> = 1 V
	I <sub>OL2</sub>	1.0			mA	LCD <sub>0</sub> to LCD <sub>35</sub> V <sub>OL</sub> = 1 V
	I <sub>OL3</sub>	1.0			mA	P2A <sub>0</sub> to P2A <sub>3</sub> V <sub>OL</sub> = 1 V
Input Current High	I <sub>IH1</sub>	0.1	1.3		mA	X <sub>IN</sub> pulled low V <sub>IH</sub> = V <sub>DD</sub>
	I <sub>IH2</sub>	0.1	1.3		mA	OSC <sub>IN</sub> pulled low V <sub>IH</sub> = V <sub>DD</sub>
Output Off Leak Current	I <sub>L1</sub>			500		P0A <sub>2</sub> , P0A <sub>3</sub> V <sub>OH</sub> = V <sub>DD</sub>
	I <sub>L2</sub>			500		P2A <sub>0</sub> to P2A <sub>3</sub> V <sub>OH</sub> = 12 V
Output Withstand Voltage	V <sub>BDS</sub>	0		16	V	P2A <sub>0</sub> to P2A <sub>3</sub>

\* P0A<sub>2</sub>, P0A<sub>3</sub>, P0B<sub>0</sub> to P0B<sub>3</sub>, P0C<sub>0</sub> to P0C<sub>3</sub>, P1A<sub>2</sub>, P1A<sub>3</sub>, P1B<sub>0</sub> to P1B<sub>3</sub>, P1C<sub>0</sub> to P1C<sub>3</sub>, P1D<sub>0</sub> to P1D<sub>3</sub>, IDC<sub>0</sub>, BLK<sub>0</sub>

**AC CHARACTERISTICS** (T<sub>a</sub> = -40 to +85 °C, V<sub>DD</sub> = 4.5 to 5.5 V)

CHARACTERISTICS	SYMBOL	STANDARD VALUES				CONDITIONS
		MIN.	TYP.	MAX.	UNIT	
Operating Frequency	f <sub>IN1</sub>		10.0		MHz	Recommended CPU operation oscillation
	f <sub>IN2</sub>			1.0	kHz	SCL, SCK <sub>0</sub> , SCK <sub>1</sub> external clock frequency
A/D Conversion Resolution				4	bit	
A/D Conversion Total Error			±1.0	±1.5	LSB	T <sub>a</sub> = -10 to +50 °C
SIO External Clock Frequency			±1.0	1000	kHz	SIO0/SIO1 COM mode T <sub>a</sub> = -10 to +50 °C



REFERENCE CHARACTERISTICS

CHARACTERISTICS	SYMBOL	STANDARD VALUES				CONDITIONS
		MIN.	TYP.	MAX.	UNIT	
Supply Current	I <sub>DD3</sub>		5		mA	CPU and IDC operating V <sub>DD</sub> = 5.0 V, T <sub>a</sub> = 25 °C
Output Current High	I <sub>OH4</sub>		-0.2		mA	COM <sub>0</sub> , COM <sub>1</sub> , COM <sub>2</sub> V <sub>OH</sub> = V <sub>DD</sub> - 1 V
Output Current Medium	I <sub>OM1</sub>		-20		μA	COM <sub>0</sub> , COM <sub>1</sub> , COM <sub>2</sub> V <sub>OM</sub> = V <sub>DD</sub>
	I <sub>OM2</sub>		20		μA	COM <sub>0</sub> , COM <sub>1</sub> , COM <sub>2</sub> V <sub>OM</sub> = 0 V
Output Current Low	I <sub>OL5</sub>		0.2		mA	COM <sub>0</sub> , COM <sub>1</sub> , COM <sub>2</sub> V <sub>OL</sub> = 1 V

DC PROGRAMMING CHARACTERISTICS (T<sub>a</sub> = 25 °C, V<sub>DD</sub> = 6.0 ±0.25 V, V<sub>PP</sub> = 12.5 ±0.5 V)

CHARACTERISTICS	SYMBOL	MIN.	TYP.	MAX.	UNIT	CONDITIONS
Input Voltage High	V <sub>IH1</sub>	0.7 V <sub>DD</sub>		V <sub>DD</sub>	V	Except CLK
	V <sub>IH2</sub>	V <sub>DD</sub> - 0.5		V <sub>DD</sub>	V	CLK
Input Voltage Low	V <sub>IL1</sub>	0		0.3 V <sub>DD</sub>	V	Except CLK
	V <sub>IL2</sub>	0		0.4	V	CLK
Input Leakage Current	I <sub>LI</sub>			10	μA	V <sub>IN</sub> = V <sub>IL</sub> or V <sub>IH</sub>
Output Voltage High	V <sub>OH</sub>	V <sub>DD</sub> - 1.0			V	I <sub>OH</sub> = -1 mA
Output Voltage Low	V <sub>OL</sub>			1.0	V	I <sub>OL</sub> = 1 mA
V <sub>DD</sub> Supply Current	I <sub>DD</sub>			30	mA	
V <sub>PP</sub> Supply Current	I <sub>PP</sub>			30	mA	MD <sub>0</sub> = V <sub>IL</sub> , MD <sub>1</sub> = V <sub>IH</sub>

**Note 1** Ensure that V<sub>PP</sub> does not exceed +13.5 V including overshoot.

**2** Ensure that V<sub>DD</sub> is applied before V<sub>PP</sub> and cut off after V<sub>PP</sub>.

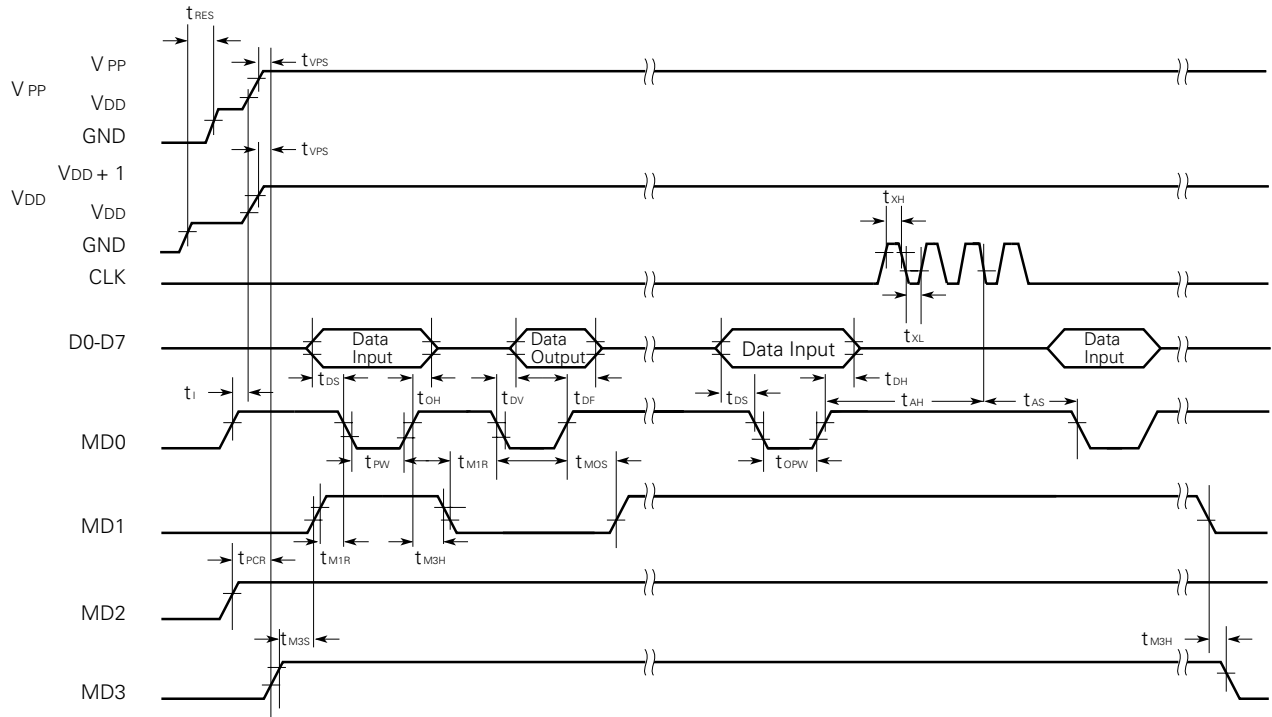
AC PROGRAMMING CHARACTERISTICS (T<sub>a</sub> = 25 °C, V<sub>DD</sub> = 6.0 ±0.25 V, V<sub>PP</sub> = 12.5 ±0.5 V)

CHARACTERISTICS	SYMBOL	*1	MIN.	TYP.	MAX.	UNIT	CONDITIONS
Address Setup Time *2 (to MD0↓)	t <sub>AS</sub>	t <sub>AS</sub>	2			μs	
MD1 Setup Time (to MD0↓)	t <sub>M1S</sub>	t <sub>OES</sub>	2			μs	
Data Setup Time (to MD0↓)	t <sub>DS</sub>	t <sub>DS</sub>	2			μs	
Address Hold Time *2 (from MD0↑)	t <sub>AH</sub>	t <sub>AH</sub>	2			μs	
Data Hold Time (from MD0↑)	t <sub>DH</sub>	t <sub>DH</sub>	2			μs	
Data Output Float Delay Time From MD0↑	t <sub>DF</sub>	t <sub>DF</sub>	0		130	ns	
V <sub>PP</sub> Setup Time (to MD3↑)	t <sub>VPS</sub>	t <sub>VPS</sub>	2			μs	
V <sub>DD</sub> Setup Time (to MD3↑)	t <sub>VDS</sub>	t <sub>VCS</sub>	2			μs	
Initial Program Pulse Width	t <sub>PW</sub>	t <sub>PW</sub>	0.95	1.0	1.05	ms	
Additional Program Pulse Width	t <sub>OPW</sub>	t <sub>OPW</sub>	0.95		21.0	ms	
MD0 Setup Time (to MD1↑)	t <sub>MOS</sub>	t <sub>CES</sub>	2			μs	
Data Output Delay Time From MD0↓	t <sub>DV</sub>	t <sub>DV</sub>			1	μs	MD0 = MD1 = V <sub>IL</sub>
MD1 Hold Time (from MD0↑)	t <sub>M1H</sub>	t <sub>OEH</sub>	2			μs	t <sub>M1H</sub> + t <sub>M1R</sub> ≥ 50 μs
MD1 Recovery Time (from MD0↓)	t <sub>M1R</sub>	t <sub>OR</sub>	2			μs	
Program Counter Reset Time	t <sub>PCR</sub>	–	10			μs	
CLK Input High/Low-Level Width	t <sub>XH</sub> , t <sub>XL</sub>	–	0.125			μs	
CLK Input Frequency	f <sub>X</sub>	–			4.19	MHz	
Initial Mode Setting Time	t <sub>I</sub>	–	2			μs	
MD3 Setup Time (to MD1↑)	t <sub>M3S</sub>	–	2			μs	
MD3 Hold Time (from MD1↓)	t <sub>M3H</sub>	–	2			μs	
MD3 Setup Time (to MD0↓)	t <sub>M3SR</sub>	–	2			μs	For program memory read
Data Output Delay Time From Address *2	t <sub>DAD</sub>	t <sub>ACC</sub>	2			μs	For program memory read
Data Output Hold Time From Address *2	t <sub>HAD</sub>	t <sub>OH</sub>	0		130	ns	For program memory read
MD3 Hold Time (from MD0↑)	t <sub>M3HR</sub>	–	2			μs	For program memory read
Data Output Float Delay Time From MD3↓	t <sub>DFR</sub>	–	2			μs	For Program memory read
Reset Setup Time	t <sub>RES</sub>		10			μs	

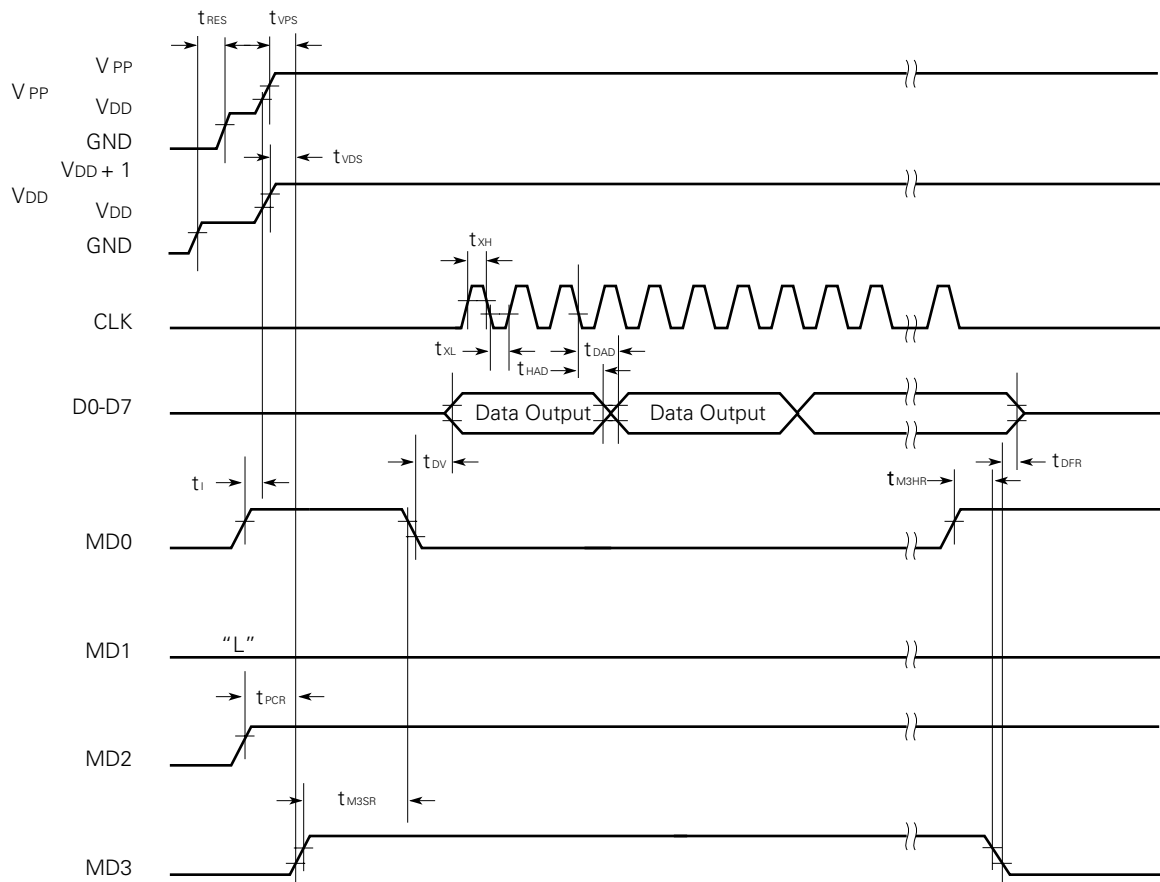
\*1 Corresponding μPD27C256 symbol.

2 Internal address incrementing (+1) is performed on the 3rd falling edge of CLK with 4 clock pulses as one cycle. Internal addresses are not connected to pins.

**Program Memory Write Timing**

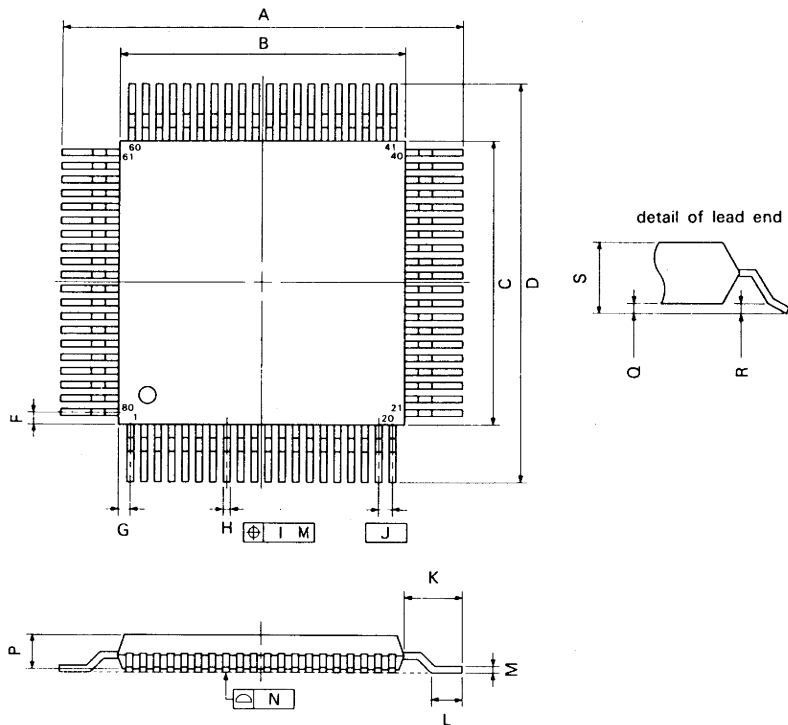


**Program Memory Read Timing**



5. PACKAGE DIMENSION

80PIN PLASTIC QFP (□14)



S80GC-65-3B9-1

NOTE

Each lead centerline is located within 0.13 mm (0.005 inch) of its true position (T.P.) at maximum material condition.

ITEM	MILLIMETERS	INCHES
A	17.2 <sup>±0.4</sup>	0.677 <sup>±0.016</sup>
B	14.0 <sup>±0.2</sup>	0.551 <sup>+0.008</sup> <sub>-0.008</sub>
C	14.0 <sup>±0.2</sup>	0.551 <sup>+0.008</sup> <sub>-0.008</sub>
D	17.2 <sup>±0.4</sup>	0.677 <sup>±0.016</sup>
F	0.8	0.031
G	0.8	0.031
H	0.30 <sup>±0.10</sup>	0.012 <sup>+0.004</sup> <sub>-0.004</sub>
I	0.13	0.005
J	0.65 (T.P.)	0.026 (T.P.)
K	1.6 <sup>±0.2</sup>	0.063 <sup>±0.008</sup>
L	0.8 <sup>±0.2</sup>	0.031 <sup>+0.008</sup> <sub>-0.008</sub>
M	0.15 <sup>+0.10</sup> <sub>-0.08</sub>	0.006 <sup>+0.004</sup> <sub>-0.004</sub>
N	0.15	0.006
P	2.7	0.106
Q	0.1 <sup>±0.1</sup>	0.004 <sup>±0.004</sup>
R	0.1 <sup>±0.1</sup>	0.004 <sup>±0.004</sup>
S	3.0 MAX.	0.119 MAX.

APPENDIX. DEVELOPMENT TOOLS

The following support tools are available for program development using the μPD17P401.

Hardware		
Name	Description	Ordering Code
In-circuit emulator (IE-17K)	The IE-17K is an in-circuit emulator which can be used with all models in the 17K series. For μPD17P401 program development, the IE-17K is used in conjunction with the SE-17401 system evaluation board. As the IE-17K features RAM-based operation, immediate program additions and amendments can be made by connecting a console to the IE-17K. Moreover, use of the SIMPLEHOST™ support software provides a higher-level program development environment.	IE-17K
SE board (SE-17401)	The SE-17401 is a μPD17P401 system evaluation board used together with the IE-17K or by itself.	SE-17401
Probe (EP-17401GC)	The EP-17401GC is a probe for connection of the target system to the SE-17401.	EP-17401GC
Conversion socket (EV-9200G-80)	The EV-9200G-80 is a socket for connection of the target system to the EP-17401GC.	EV-9200G-80
PROM programmer (AF-9703) (AF-9704)	Main PROM programmer unit. For the μPD17P401, the programmer is used in conjunction with the AF-9808D special-purpose program adapter (Ver.5 or later should be used).	AF-9703 AF-9704 (manufactured by Ando Electric, Co., Ltd.)
Program adapter (AF-9808D)	Special-purpose program adapter for the μPD17P401, used in conjunction with the AF-9703 or AF-9704.	AF-9808D (manufactured by Ando Electric, Co., Ltd.)

**Remarks** Please contact Ando Electric, Co., Ltd. for details of the PROM programmers and program adapter.

Software						
Name	Description	Host Machine	OS		Supply Medium	Ordering Code
17K series assembler (AS17K)	AS17K is the assembler for use with the entire 17K series. For μPD17P401 program development, AS17K is used in conjunction with the device file (AS17401).	PC-9800 series	MS-DOS™ (Ver.3.1 Ver.3.30 Ver.3.30A)		5-inch 2HD	μS5A10AS17K
					3.5-inch 2HD	μS5A13AS17K
		IBM PC/AT™	PC DOS™ (Ver.3.1)	5-inch 2D	μS7B11AS17K	
Device file* (AS17401)	AS17401 is the device file for the μPD17401 and μPD17P401, and is used together with the common 17K series assembler (AS17K).	PC-9800 series	MS-DOS (Ver.3.1 Ver.3.30 Ver.3.30A)		5-inch 2HD	μS5A10AS17401
					3.5-inch 2HD	μS5A13AS17401
		IBM PC/AT	PC DOS (Ver.3.1)	5-inch 2D	μS7B11AS17401	
Support software (SIMPLE-HOST)	SIMPLEHOST is software which implements the man-machine interface under MS-WINDOWS™ during program development using the IE-17K and a personal computer.	PC-9800 series	MS-DOS	MS-WINDOWS (Ver.2.1 Ver.2.11)	5-inch 2HD	μS5A10IE17K
			IBM PC/AT		PC DOS	3.5-inch 2HD
				5-inch 2D		μS7B11IE17K

\* Under development

**SIMPLEHOST™ is a trademark of NEC Corporation.**  
**MS-DOS™ and MS-WINDOWS™ are trademarks of MicroSoft Corporation.**  
**PC/AT™ and PC DOS™ are trademarks of IBM Corporation.**



**[MEMO]**

No part of this document may be copied or reproduced in any form or by any means without the prior written consent of NEC Corporation. NEC Corporation assumes no responsibility for any errors which may appear in this document.

NEC Corporation does not assume any liability for infringement of patents, copyrights or other intellectual property rights of third parties by or arising from use of a device described herein or any other liability arising from use of such device. No license, either express, implied or otherwise, is granted under any patents, copyrights or other intellectual property rights of NEC Corporation or others.

The devices listed in this document are not suitable for use in the field where very high reliability is required including, but not limited to, aerospace equipment, submarine cables, nuclear reactor control systems and life support systems. If customers intend to use NEC devices for above applications or those intend to use "Standard", or "Special" quality grade NEC devices for the applications not intended by NEC, please contact our sales people in advance.

Application examples recommended by NEC Corporation

Standard: Data processing and office equipment, Communication equipment (terminal, mobile), Test and Measurement equipment, Audio and Video equipment, Other consumer products, etc.

Special: Automotive and Transportation equipment, Communication equipment (trunk line), Train and Traffic control devices, Industrial robots, Burning control systems, antidisaster systems, anticrime systems etc.