

## FEATURES

- 3.3V power supply
- 2.0ns typical propagation delay
- Low power
- Differential LVPECL inputs
- 24mA TTL outputs
- Flow-through pinouts
- Available in 8-pin SOIC package

## DESCRIPTION

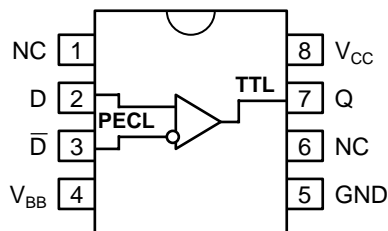
The SY10/100ELT21L are single differential LVPECL-to-LVTTL translators using a single +3.3V power supply. Because LVPECL (Low Voltage Positive ECL) levels are used, only +3.3V and ground are required. The small outline 8-lead SOIC package and low skew single gate design make the ELT21L ideal for applications that require the translation of a clock or data signal where minimal space, low power, and low cost are critical.

$V_{BB}$  allows a differential, single-ended, or AC-coupled interface to the device. If used, the  $V_{BB}$  output should be bypassed to  $V_{CC}$  with 0.01 $\mu$ F capacitor.

Under open input conditions, the /D will be biased at a  $V_{CC}/2$  voltage level and the D input will be pulled to ground. This condition will force the Q output low to provide added stability.

The ELT21L is available in both ECL standards: the 10ELT is compatible with positive ECL 10H logic levels, while the 100ELT is compatible with positive ECL 100K logic levels.

## PIN CONFIGURATION/BLOCK DIAGRAM



## PIN NAMES

Pin	Function
Q	TTL Output
D, /D	Differential LVPECL Inputs
$V_{CC}$	+3.3V Supply
$V_{BB}$	Reference Output
GND	Ground

**ABSOLUTE MAXIMUM RATINGS<sup>(1)</sup>**

Symbol	Parameter	Value	Unit
V <sub>CC</sub>	Power Supply Voltage	-0.5 to +3.8	V
V <sub>I</sub>	PECL Input Voltage	0V to V <sub>CC</sub> +0.5	V
V <sub>O</sub>	Voltage Applied to Output at HIGH State	-0.5 to V <sub>CC</sub>	V
I <sub>O</sub>	Current Applied to Output at LOW State	Twice the Rated I <sub>OL</sub>	mA
T <sub>store</sub>	Storage Temperature	-65 to +150	°C
T <sub>A</sub>	Operating Temperature	-40 to +85	°C

**TRUTH TABLE**

D	/D	Q
L	H	L
H	L	H
Open	Open	L

**NOTE:**

- Permanent device damage may occur if ABSOLUTE MAXIMUM RATINGS are exceeded. This is a stress rating only and functional operation is not implied at conditions other than those detailed in the operational sections of this data sheet. Exposure to ABSOLUTE MAXIMUM RATING conditions for extended periods may affect device reliability.

**TTL DC ELECTRICAL CHARACTERISTICS**

$$V_{CC} = +3.3V \pm 5\%$$

Symbol	Parameter	T <sub>A</sub> = -40°C		T <sub>A</sub> = 0°C		T <sub>A</sub> = +25°C			T <sub>A</sub> = +85°C		Unit	Condition
		Min.	Max.	Min.	Max.	Min.	Typ.	Max.	Min.	Max.		
I <sub>OS</sub>	Output Short Circuit Current	-80	-275	-80	-275	-80	—	-275	-80	-275	mA	V <sub>OUT</sub> = 0V
I <sub>CC</sub>	Power Supply Current	—	20	—	20	—	14	20	—	20	mA	
V <sub>OH</sub>	Output HIGH Voltage	2.0	—	2.0	—	2.0	—	—	2.0	—	V	I <sub>OH</sub> = -3.0mA
V <sub>OL</sub>	Output LOW Voltage	—	0.5	—	0.5	—	—	0.5	—	0.5	V	I <sub>OL</sub> = 24mA

**PECL DC ELECTRICAL CHARACTERISTICS**

$$V_{CC} = +3.3V \pm 5\%$$

Symbol	Parameter	T <sub>A</sub> = -40°C		T <sub>A</sub> = 0°C		T <sub>A</sub> = +25°C			T <sub>A</sub> = +85°C		Unit	Condition	
		Min.	Max.	Min.	Max.	Min.	Typ.	Max.	Min.	Max.			
I <sub>IH</sub>	Input HIGH Current	—	150	—	150	—	—	150	—	150	μA		
I <sub>IL</sub>	Input LOW Current	D	0.5	—	0.5	—	—	—	0.5	—	μA		
		/D	-300	—	-300	—	-300	—	-300	—			
V <sub>IH</sub>	Input HIGH Voltage <sup>(2)</sup>	10ELT	2070	2410	2130	2460	2170	—	2490	2240	2580	mV	
		100ELT	2135	2420	2135	2420	2135	—	2420	2135	2420		
V <sub>IL</sub>	Input LOW Voltage <sup>(2)</sup>	10ELT	1350	1800	1350	1820	1350	—	1820	1350	1855	mV	
		100ELT	1490	1825	1490	1825	1490	—	1825	1490	1825		
V <sub>BB</sub>	Reference Output <sup>(2)</sup>	10ELT	1870	2000	1920	2030	1950	2000	2050	1990	2110	mV	
		100ELT	1920	2040	1920	2040	1920	1980	2040	1920	2040		

**NOTES:**

- These values are for V<sub>CC</sub> = 3.3V. Level Specifications will vary 1:1 V<sub>CC</sub>.

## AC ELECTRICAL CHARACTERISTICS

$V_{CC} = +3.3V \pm 5\%$

Symbol	Parameter	TA = -40°C		TA = 0°C		TA = +25°C			TA = +85°C		Unit	Condition
		Min.	Max.	Min.	Max.	Min.	Typ.	Max.	Min.	Max.		
$t_{PLH}$ $t_{PHL}$	Propagation Delay	1.5	2.5	1.5	2.5	1.5	2.0	2.5	1.5	2.5	ns	$C_L = 20pF$
$t_{skpp}$	Part-to-Part Skew <sup>(1,2)</sup>	—	0.5	—	0.5	—	—	0.5	—	0.5	ns	$C_L = 20pF$
$f_{MAX}$	Maximum Input Frequency <sup>(2,3,4)</sup>	275	—	275	—	275	—	—	275	—	MHz	$C_L = 20pF$
$V_{CMR}$	Common Mode Range	1.2	$V_{CC}$	1.2	$V_{CC}$	1.2	—	$V_{CC}$	1.2	$V_{CC}$	V	
$V_{PP}$	Minimum Peak-to-Peak Input <sup>(5)</sup>	100	—	100	—	100	—	—	100	—	mV	
$t_r$ $t_f$	Output Rise/Fall Time (1.0V to 2.0V)	0.5	1.0	0.5	1.0	0.5	—	1.0	0.5	1.0	ns	$C_L = 20pF$

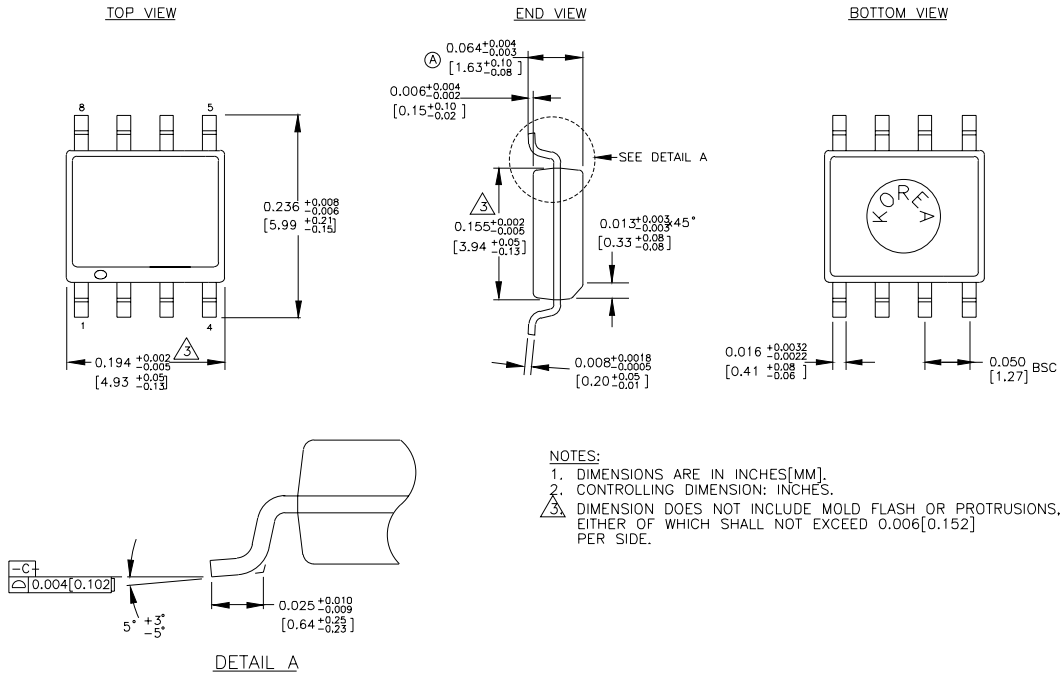
### NOTES:

1. Part-to-Part Skew considering HIGH-to-HIGH transitions at common  $V_{CC}$  level.
2. These parameters are guaranteed but not tested.
3. Frequency at which output levels will meet a 0.8V to 2.0V minimum swing.
4. The  $f_{MAX}$  value is specified as the minimum guaranteed maximum frequency. Actual operational maximum frequency may be greater.
5. 100mV input guarantees full logic at output.

## PRODUCT ORDERING CODE

Ordering Code	Package Type	Operating Range	Vcc Range (V)
SY10ELT21LZC	Z8-1	Commercial	+3.3V ±5%
SY10ELT21LZCTR	Z8-1	Commercial	+3.3V ±5%
SY100ELT21LZC	Z8-1	Commercial	+3.3V ±5%
SY100ELT21LZCTR	Z8-1	Commercial	+3.3V ±5%

**8 LEAD SOIC .150" WIDE (Z8-1)**



Rev. 03

**MICREL-SYNERGY 3250 SCOTT BOULEVARD SANTA CLARA CA 95054 USA**

TEL + 1 (408) 980-9191 FAX + 1 (408) 914-7878 WEB <http://www.micrel.com>

This information is believed to be accurate and reliable, however no responsibility is assumed by Micrel for its use nor for any infringement of patents or other rights of third parties resulting from its use. No license is granted by implication or otherwise under any patent or patent right of Micrel Inc.

© 2000 Micrel Incorporated