

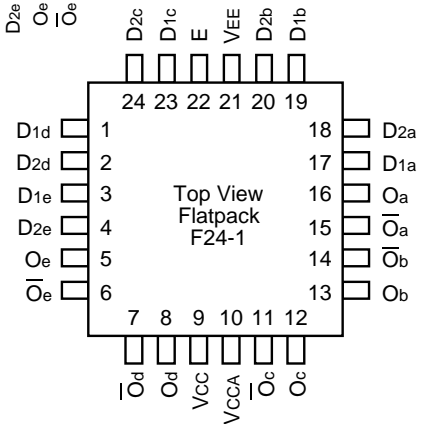
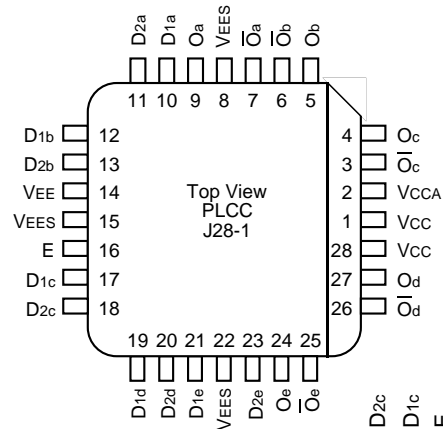
**FEATURES**

- Max. propagation delay of 700ps
- IEE min. of -45mA
- Industry standard 100K ECL levels
- Extended supply voltage option:  
VEE = -4.2V to -5.5V
- Voltage and temperature compensation for improved noise immunity
- Internal 75KΩ input pull-down resistors
- 50% faster than Fairchild 300K
- Function and pinout compatible with Fairchild F100K
- Available in 24-pin CERPACK and 28-pin PLCC packages

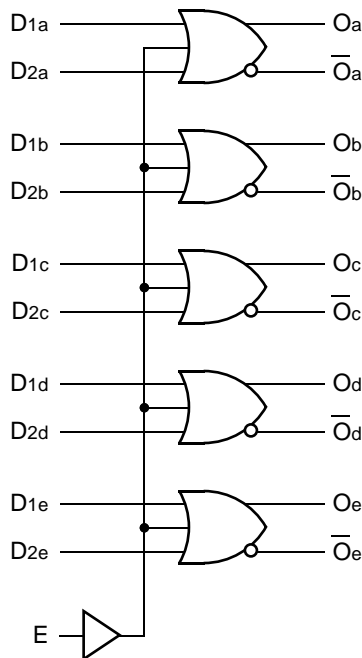
**DESCRIPTION**

The SY100S302 offers five 2-input OR/NOR gates designed for use in high-performance ECL systems. The five gates are controlled by a common Enable signal. All inputs have 75KΩ pull-down resistors and all outputs are buffered.

**PIN CONFIGURATIONS**



**BLOCK DIAGRAM**



**PIN NAMES**

Pin	Function
D <sub>na</sub> – D <sub>ne</sub>	Data Inputs (n-1...5)
E	Enable Input
O <sub>a</sub> – O <sub>e</sub>	Data Outputs
$\overline{O_a} - \overline{O_e}$	Complementary Data Outputs
VEES	VEE Substrate
VCCA	Vcco for ECL Outputs

**TRUTH TABLE<sup>(1)</sup>**

D1X	D2X	E	OX	$\overline{OX}$
L	L	L	L	H
L	L	H	H	L
L	H	L	H	L
L	H	H	H	L
H	L	L	H	L
H	L	H	H	L
H	H	L	H	L
H	H	H	H	L

**NOTE:**

- H = High Voltage Level  
L = Low Voltage Level

**DC ELECTRICAL CHARACTERISTICS**

$V_{EE} = -4.2V$  to  $-5.5V$  unless otherwise specified,  $V_{CC} = V_{CCA} = GND$

Symbol	Parameter	Min.	Typ.	Max.	Unit	Condition
I <sub>IH</sub>	Input HIGH Current, All Inputs	—	—	200	μA	$V_{IN} = V_{IH} (Max.)$
I <sub>EE</sub>	Power Supply Current	-45	-28	-21	mA	Inputs Open

**AC ELECTRICAL CHARACTERISTICS****CERPACK**

$V_{EE} = -4.2V$  to  $-5.5V$  unless otherwise specified,  $V_{CC} = V_{CCA} = GND$

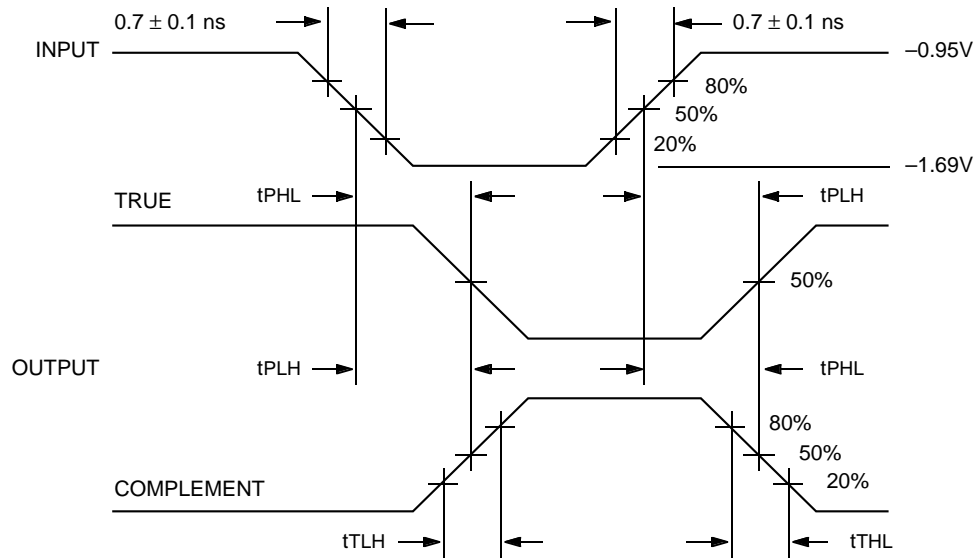
Symbol	Parameter	TA = 0°C		TA = +25°C		TA = +85°C		Unit	Condition
		Min.	Max.	Min.	Max.	Min.	Max.		
t <sub>PLH</sub> t <sub>PHL</sub>	Propagation Delay Data to Output	300	750	300	750	300	750	ps	
t <sub>PLH</sub> t <sub>PHL</sub>	Propagation Delay Enable to Output	250	950	250	950	250	950	ps	
t <sub>TLH</sub> t <sub>THL</sub>	Transition Time 20% to 80%, 80% to 20%	300	900	300	900	300	900	ps	

**PLCC**

$V_{EE} = -4.2V$  to  $-5.5V$  unless otherwise specified,  $V_{CC} = V_{CCA} = GND$

Symbol	Parameter	TA = 0°C		TA = +25°C		TA = +85°C		Unit	Condition
		Min.	Max.	Min.	Max.	Min.	Max.		
t <sub>PLH</sub> t <sub>PHL</sub>	Propagation Delay Data to Output	250	700	250	700	250	700	ps	
t <sub>PLH</sub> t <sub>PHL</sub>	Propagation Delay Enable to Output	250	900	250	900	250	900	ps	
t <sub>TLH</sub> t <sub>THL</sub>	Transition Time 20% to 80%, 80% to 20%	300	900	300	900	300	900	ps	

**TIMING DIAGRAM**



**Propagation Delay and Transition Times**

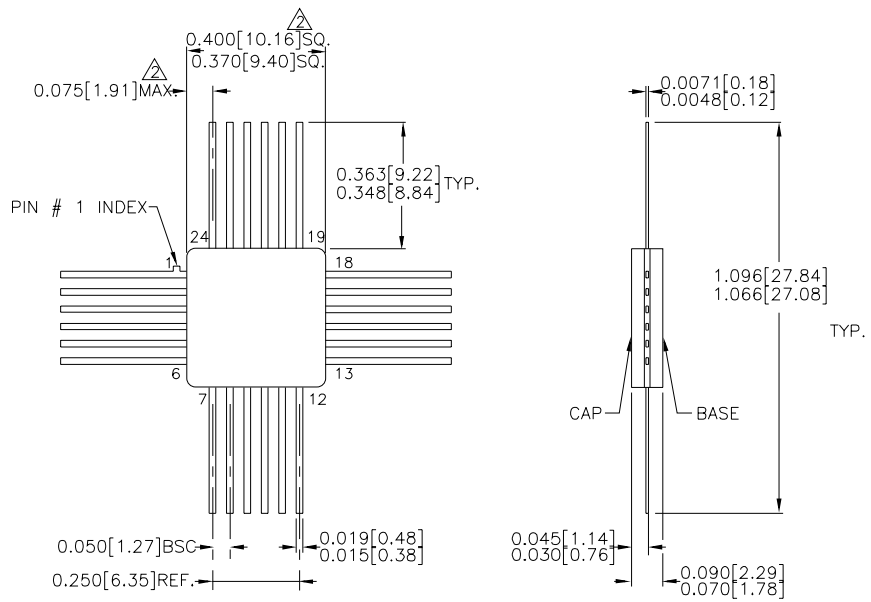
**NOTE:**

$V_{EE} = -4.2V$  to  $-5.5V$  unless otherwise specified,  $V_{CC} = V_{CCA} = GND$

**PRODUCT ORDERING CODE**

Ordering Code	Package Type	Operating Range
SY100S302FC	F24-1	Commercial
SY100S302JC	J28-1	Commercial
SY100S302JCTR	J28-1	Commercial

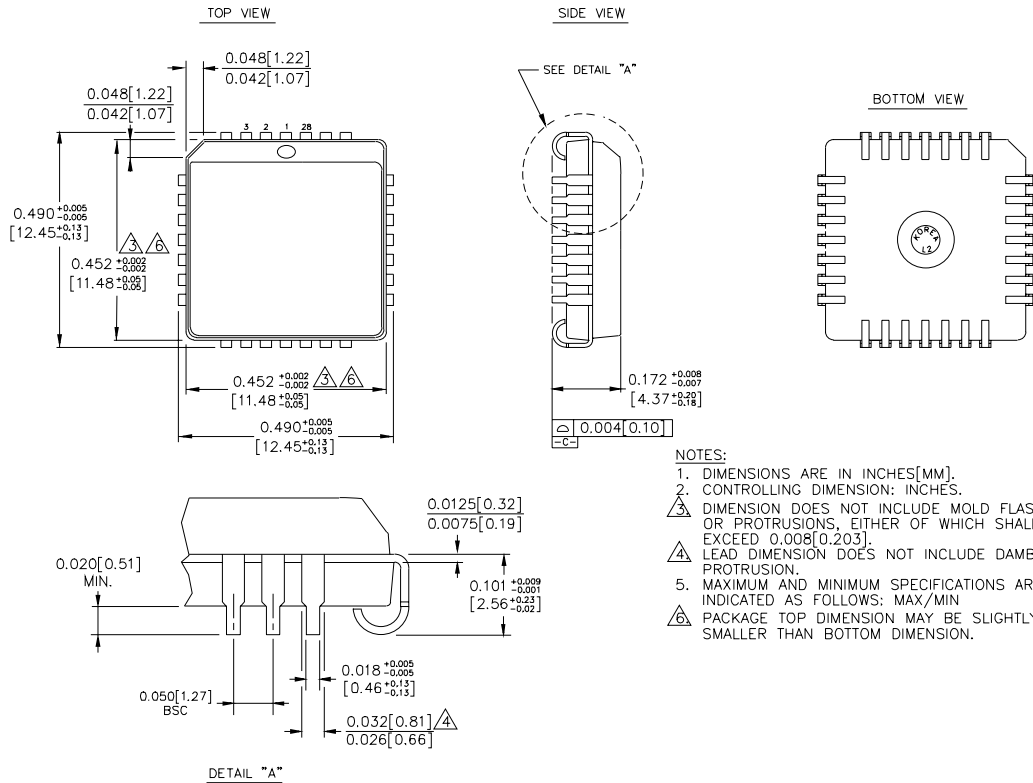
**24 LEAD CERPACK (F24-1)**



- NOTES:**
1. DIMENSIONS ARE IN INCHES[MM].
  - △ THIS DIMENSION INCLUDES GLASS PROTRUSION AND CAP TO BASE ALIGNMENT TOLERANCES.
  3. DIMENSIONS SHOWN ARE MAX/MIN, WHERE NOTED.

Rev. 03

**28 LEAD PLCC (J28-1)**



Rev. 03

**MICREL-SYNERGY 3250 SCOTT BOULEVARD SANTA CLARA CA 95054 USA**

TEL + 1 (408) 980-9191 FAX + 1 (408) 914-7878 WEB <http://www.micrel.com>

This information is believed to be accurate and reliable, however no responsibility is assumed by Micrel for its use nor for any infringement of patents or other rights of third parties resulting from its use. No license is granted by implication or otherwise under any patent or patent right of Micrel Inc.

© 2000 Micrel Incorporated