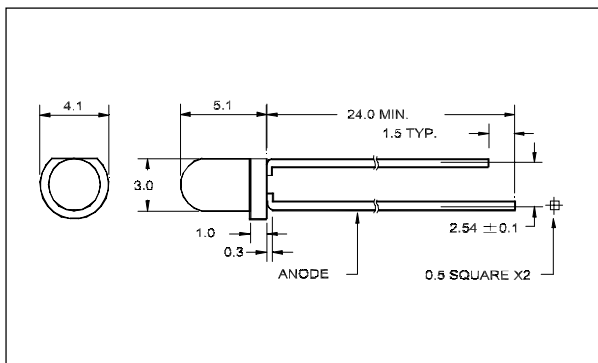


Standard T-1 LED Lamps

FEATURES

- Excellent on/off contrasts
- Solid state reliability
- Choice of diffused or color clear lens
- Other colors/materials available
- Can be packaged on tape in a reel or in a box



MAXIMUM RATINGS (Ta = 25°C)

PART NO.	FORWARD CURRENT (I _f) (mA)	REVERSE VOLTAGE (V _r) (V)	POWER DISSIPATION (P _D) (mW)	OPERATING TEMPERATURE (T _{opr}) (°C)	STORAGE TEMPERATURE (T _{stg}) (°C)
MT1103-RG	30	5.0	85	-25~+85	-25~+100
MT2103-G	30	5.0	85	-25~+85	-25~+100
MT3103-Y	30	5.0	85	-25~+85	-25~+100
MT4103-O	30	5.0	85	-25~+85	-25~+100
MT4103-HR	30	5.0	85	-25~+85	-25~+100
MT1403-RG	30	5.0	85	-25~+85	-25~+100
MT2403-G	30	5.0	85	-25~+85	-25~+100
MT3403-Y	30	5.0	85	-25~+85	-25~+100
MT4403-O	30	5.0	85	-25~+85	-25~+100
MT4403-HR	30	5.0	85	-25~+85	-25~+100

OPTO-ELECTRICAL CHARACTERISTICS (Ta = 25°C)

PART NO.	MATERIAL	LENS COLOR	VIEWING ANGLE typ.	LUMINOUS INTENSITY (mcd)			FORWARD VOLTAGE (V)			REVERSE CURRENT		PEAK WAVE LENGTH
				min.	typ.	@mA	typ.	max.	@mA	µA	Vr	nm
MT1103-RG	GaP	Red Diff	56°	1.0	2.4	20	2.1	3.0	20	100	5	700
MT2103-G	GaP	Green Diff	56°	4.8	40.0	20	2.1	3.0	20	100	5	567
MT3103-Y	GaAsP/GaP	Yellow Diff	56°	4.0	25.0	20	2.1	3.0	20	100	5	585
MT4103-O	GaAsP/GaP	Orange Diff	56°	5.6	35.0	20	2.1	3.0	20	100	5	635
MT4103-HR	GaAsP/GaP	Red Diff	56°	5.6	35.0	20	2.1	3.0	20	100	5	635
MT1403-RG	GaP	Red Clear	36°	3.2	8.2	20	2.1	3.0	20	100	5	700
MT2403-G	GaP	Green Clear	36°	16.0	80.0	20	2.1	3.0	20	100	5	567
MT3403-Y	GaAsP/GaP	Yellow Clear	36°	13.4	60.0	20	2.1	3.0	20	100	5	585
MT4403-O	GaAsP/GaP	Orange Clear	36°	18.8	75.0	20	2.1	3.0	20	100	5	635
MT4403-HR	GaAsP/GaP	Red Clear	36°	18.8	75.0	20	2.1	3.0	20	100	5	635



120 Broadway • Menands, New York 12204
Toll Free: (800) 98-4LEDS • Fax: (518) 432-7454