

AN8837SB

Low power consumption CD-DA head amplifier IC for 3-beam system optical pick-up

■ Overview

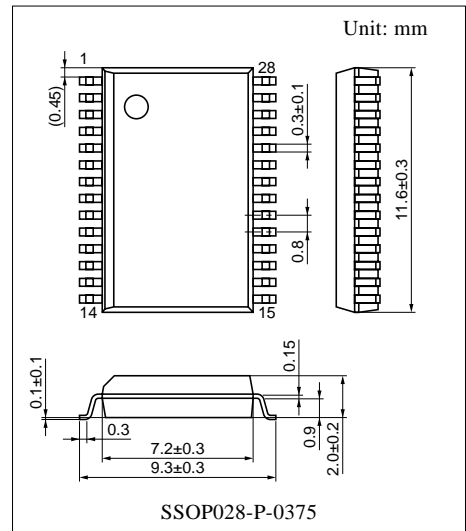
The AN8837SB is a head amplifier IC for digital servo. It can configure an efficient CD system in combination with the MN6627XX series, and allows a full-automatic adjustment of tracking balance-gain-offset and focus balance-gain-offset with fewer external parts.

■ Features

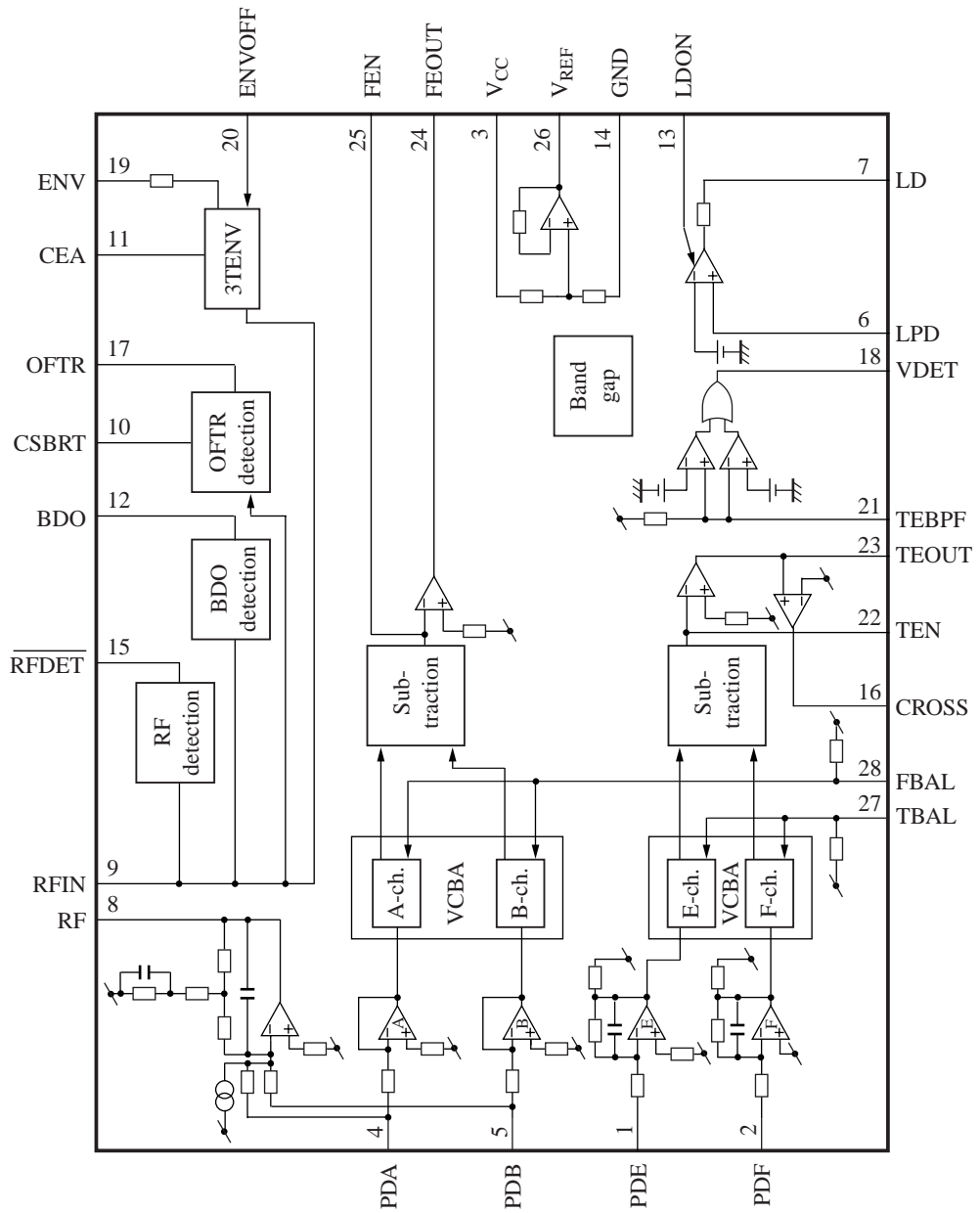
- Operating supply voltage $V_{CC} = 2.7 \text{ V to } 5.5 \text{ V}$
- Balance adjustment function built-in
Focus error amp./tracking error amp.
- OFTR/BDO detection
- CROSS detection and vibration detection
- APC amp.

■ Applications

- CD player



■ Block Diagram



■ Pin Descriptions

Pin No.	Description	Pin No.	Description
1	Tracking signal input pin 1	15	NRFDET output pin
2	Tracking signal input pin 2	16	CROSS output pin
3	Power supply pin	17	OFTR output pin
4	Focus signal input pin 1	18	VDET output pin
5	Focus signal input pin 2	19	3TENV output pin
6	APC amp. input pin	20	ENV control pin
7	APC amp. output pin	21	VDET input pin
8	RF adding output pin	22	TE amp. input pin
9	Input pin for the detection circuits	23	TE amp. output pin
10	Capacitor connection pin for OFTR	24	FE amp. output pin
11	Capacitor connection pin for HPF amp.	25	FE amp. input pin
12	BDO output pin	26	V _{REF} output pin
13	APC control pin	27	TBAL control pin
14	GND pin	28	FBAL control pin

■ Absolute Maximum Ratings

Parameter	Symbol	Rating	Unit
Supply voltage	V _{CC}	5.8	V
Supply current	I _{CC}	20	mA
Power dissipation	P _D	116	mW
Operating ambient temperature *	T _{opr}	-20 to +75	°C
Storage temperature *	T _{stg}	-55 to +125	°C

Note) *: Except for the operating ambient temperature and storage temperature, all ratings are for T_a = 25°C.

■ Recommended Operating Range

Parameter	Symbol	Range	Unit
Supply voltage	V _{CC}	2.7 to 5.5	V

■ Electrical Characteristics at $T_a = 25^\circ\text{C}$

Parameter	Symbol	Conditions	Min	Typ	Max	Unit
Current consumption with no load	I_{TOT}	$V_{\text{CC}} = 3\text{ V}$	3.8	5.8	7.8	mA
V_{REF} output pin	V_{REF}	$V_{\text{CC}} = 3\text{ V}$	1.37	1.50	1.63	V
Focus error amplification						
Focus error amp. output offset voltage	$V_{\text{FO-OFF}}$	$V_{\text{CC}} = 3\text{ V}$	-100	0	100	mV
Focus error offset balance crosstalk amount	$V_{\text{FO-OFB}}$	$V_{\text{CC}} = 3\text{ V}$ $V_{\text{FB}} = V_{\text{REF}} \pm 0.375\text{V}$	-120	0	120	mV
Focus error amp. V-V conversion gain	G_{FO1}	$V_{\text{CC}} = 3\text{ V}$ $V_{\text{FB}} = V_{\text{REF}}$	9.6	12.2	14.7	dB
Focus error amp. V-V conversion relative gain	ΔG_{FO2}	$V_{\text{CC}} = 3\text{ V}$ $V_{\text{FB}} = V_{\text{REF}}$	-1.5	0	1.5	dB
Focus balance variable range 1-H	$B_{\text{FO1-H}}$	$V_{\text{CC}} = 3\text{ V}$ $V_{\text{FB}} = V_{\text{REF}} + 0.375\text{V}$	1.21	1.31	1.41	—
Focus balance variable range 1-L	$B_{\text{FO1-L}}$	$V_{\text{CC}} = 3\text{ V}$ $V_{\text{FB}} = V_{\text{REF}} - 0.375\text{V}$	0.48	0.69	0.9	—
Focus balance variable range 2-H	$B_{\text{FO2-H}}$	$V_{\text{CC}} = 3\text{ V}$ $V_{\text{FB}} = V_{\text{REF}} + 0.375\text{V}$	0.48	0.69	0.9	—
Focus balance variable range 2-L	$B_{\text{FO2-L}}$	$V_{\text{CC}} = 3\text{ V}$ $V_{\text{FB}} = V_{\text{REF}} - 0.375\text{V}$	1.21	1.31	1.41	—
Focus error amp. frequency characteristics	G_{FOF}	$V_{\text{CC}} = 3\text{ V}$ $f = 3\text{ kHz}, 50\text{ kHz}$	-4.7	-3.2	-1.7	dB
Tracking error amplification						
Tracking error amp. output offset voltage	$V_{\text{TR-OFF}}$	$V_{\text{CC}} = 3\text{ V}$	-97	0	97	mV
Tracking error offset balance crosstalk amount	$V_{\text{TR-OFB}}$	$V_{\text{CC}} = 3\text{ V}$ $V_{\text{TB}} = V_{\text{REF}} \pm 0.375\text{V}$	-120	0	120	mV
Tracking error amp. I-V conversion gain	R_{TR1}	$V_{\text{CC}} = 3\text{ V}$ $V_{\text{TB}} = V_{\text{REF}}$	570	740	910	k Ω
Tracking error amp. I-V conversion relative gain	ΔR_{TR2}	$V_{\text{CC}} = 3\text{ V}$ $V_{\text{TB}} = V_{\text{REF}}$	-18	0	18	%
Tracking balance variable range 1-H	$B_{\text{TR1-H}}$	$V_{\text{CC}} = 3\text{ V}$ $V_{\text{TB}} = V_{\text{REF}} + 0.375\text{V}$	0.47	0.68	0.89	—
Tracking balance variable range 1-L	$B_{\text{TR1-L}}$	$V_{\text{CC}} = 3\text{ V}$ $V_{\text{TB}} = V_{\text{REF}} - 0.375\text{V}$	1.22	1.33	1.44	—
Tracking balance variable range 2-H	$B_{\text{TR2-H}}$	$V_{\text{CC}} = 3\text{ V}$ $V_{\text{TB}} = V_{\text{REF}} + 0.375\text{V}$	1.22	1.33	1.44	—
Tracking balance variable range 2-L	$B_{\text{TR2-L}}$	$V_{\text{CC}} = 3\text{ V}$ $V_{\text{TB}} = V_{\text{REF}} - 0.375\text{V}$	0.47	0.68	0.89	—
Tracking error amp. frequency characteristics	G_{TR1}	$V_{\text{CC}} = 3\text{ V}$ $f = 5\text{ kHz}, 100\text{ kHz}$	-5.0	-3.5	-2.0	dB
TEMUTE operation	$V_{23\text{M}}$	$V_{\text{CC}} = 3\text{ V}$	-75	0	75	mV

■ Electrical Characteristics at $T_a = 25^\circ\text{C}$ (continue)

Parameter	Symbol	Conditions	Min	Typ	Max	Unit
CROSS detection						
CROSS high-level output	$V_{\text{CR-H}}$	$V_{\text{CC}} = 3 \text{ V}$, $V_{\text{TB}} = V_{\text{REF}}$, $f = 10 \text{ kHz}$	2.6	—	—	V
CROSS low-level output	$V_{\text{CR-L}}$	$V_{\text{CC}} = 3 \text{ V}$, $V_{\text{TB}} = V_{\text{REF}}$, $f = 10 \text{ kHz}$	—	—	0.4	V
CROSS comparator hysteresis 1	ΔV_{HS1}	$V_{\text{CC}} = 3 \text{ V}$	35	50	65	mV
CROSS comparator hysteresis 2	ΔV_{HS2}	$V_{\text{CC}} = 3 \text{ V}$	-57	-42	-27	mV
RF amplification						
RF amp. offset voltage	$V_{\text{RF-OFF}}$	$V_{\text{CC}} = 3 \text{ V}$	-910	-710	-510	mV
RF amp. transfer gain	G_{RF}	$V_{\text{CC}} = 3 \text{ V}$	7.7	9.3	10.9	dB
RF amp. relative transfer gain	ΔG_{RF}	$V_{\text{CC}} = 3 \text{ V}$	-0.8	0	0.8	dB
RF amp. frequency characteristics *	G_{RFF}	$V_{\text{CC}} = 3 \text{ V}$ $f = 500 \text{ kHz}$, 3 MHz	-3.7	-1.5	0.7	dB
RF amp. relative frequency characteristics *	ΔG_{RFF}	$V_{\text{CC}} = 3 \text{ V}$ $f = 500 \text{ kHz}$, 3 MHz	-1.0	0	1.0	dB
RF amp. EQ characteristics 1 *	G_{EQ1}	$V_{\text{CC}} = 3 \text{ V}$ $f = 500 \text{ kHz}$, 1.5 MHz	0.5	1.7	3.6	dB
RF amp. EQ characteristics 2 *	G_{EQ2}	$V_{\text{CC}} = 3 \text{ V}$ $f = 100 \text{ kHz}$, 500 kHz	-3.5	-2.0	-0.5	dB
RF detection						
RFDET detection operation	V_{NRF}	$V_{\text{CC}} = 3 \text{ V}$, $f = 500 \text{ kHz}$	88	132	176	mV[p-p]
RFDET high-level	$V_{\text{NRF-H}}$	$V_{\text{CC}} = 3 \text{ V}$, $f = 500 \text{ kHz}$	2.6	—	—	V
RFDET low-level	$V_{\text{NRF-L}}$	$V_{\text{CC}} = 3 \text{ V}$, $f = 500 \text{ kHz}$	—	—	0.4	V
BDO						
BDO detection level	V_{BDO}	$V_{\text{CC}} = 3 \text{ V}$	-70	-44	-18	mV
BDO high-level	$V_{\text{BDO-H}}$	$f = 5 \text{ kHz}$, 170 mV[p-p] , $V_{\text{CC}} = 3 \text{ V}$	2.6	—	—	V
BDO low-level	$V_{\text{BDO-L}}$	$f = 5 \text{ kHz}$, 170 mV[p-p] , $V_{\text{CC}} = 3 \text{ V}$	—	—	0.4	V
OFTR						
OFTR detection current	G_{FAGC1}	$V_{\text{CC}} = 3 \text{ V}$	1.03	1.45	1.87	μA
OFTR high-level	$V_{\text{OFT-H}}$	$V_{\text{CC}} = 3 \text{ V}$, $f = 5 \text{ kHz}$, 700 mV[p-p]	2.6	—	—	V
OFTR low-level	$V_{\text{OFT-L}}$	$V_{\text{CC}} = 3 \text{ V}$, $f = 5 \text{ kHz}$, 700 mV[p-p]	—	—	0.4	V
LD APC						
APC operating voltage	V_{APC}	$V_{\text{CC}} = 3 \text{ V}$	147	170	193	mV

Note) *: The values mentioned above are subject to change according to the state of a printed circuit board, a socket, etc.

■ Electrical Characteristics at $T_a = 25^\circ\text{C}$ (continued)

Parameter	Symbol	Conditions	Min	Typ	Max	Unit
VDET						
VDET detection level 1	V_{DET1}	$V_{\text{CC}} = 3 \text{ V}$	38	51	64	mV
VDET detection level 2	V_{DET2}	$V_{\text{CC}} = 3 \text{ V}$	-64	-51	-38	mV
VDET high-level	$V_{\text{DET-H}}$	$V_{\text{CC}} = 3 \text{ V}$	2.6	—	—	V
VDET low-level	$V_{\text{DET-L}}$	$V_{\text{CC}} = 3 \text{ V}$	—	—	0.4	V
TEBPF input impedance	Z_{TEB}	$V_{\text{CC}} = 3 \text{ V}$	140	200	260	k Ω
3TENV						
ENV amp. offset voltage	$V_{\text{ENV-OF}}$	$V_{\text{CC}} = 3 \text{ V}$	-75	0	75	mV
CEA-ENV transfer characteristics	G_{CENV}	$V_{\text{CC}} = 3 \text{ V}$	6	7.6	9.2	times
CEA input impedance	Z_{CEA}	$V_{\text{CC}} = 3 \text{ V}$	6.8	8.7	10.6	k Ω
ENV output impedance	Z_{ENV}	$V_{\text{CC}} = 3 \text{ V}$	6.2	8.0	9.8	k Ω
ENV amp. operation	$V_{\text{OP-ENV}}$	$V_{\text{CC}} = 3 \text{ V}$, $f = 800 \text{ kHz}$ AM modulation	70	110	150	mV[p-p]
ENV amp. no-operation	$V_{\text{ENV-OFF}}$	$V_{\text{CC}} = 3 \text{ V}$, $f = 800 \text{ kHz}$ AM modulation	-15	0	15	mV[p-p]
RF amplification						
RF-amp. output impedance	Z_{RFOS}	$V_{\text{CC}} = 3 \text{ V}$	—	—	29	Ω

■ Application Circuit Example

