

SANYO	No.4580	2SC4860
		NPN Epitaxial Planar Silicon Transistor UHF Converter, Local Oscillator Applications

Features

- High cutoff frequency : $f_T = 6.5\text{GHz typ.}$
- High gain : $|S_{21e}|^2 = 11.5\text{dB typ (} f = 1\text{GHz)}$
- Small Cob : $NF = 0.65\text{pF typ.}$

Absolute Maximum Ratings at $T_a = 25^\circ\text{C}$

			unit
Collector to Base Voltage	V_{CB0}	20	V
Collector to Emitter Voltage	V_{CE0}	10	V
Emitter to Base Voltage	V_{EB0}	2	V
Collector Current	I_C	30	mA
Collector Dissipation	P_C	150	mW
Junction Temperature	T_j	150	$^\circ\text{C}$
Storage Temperature	T_{stg}	-55 to +150	$^\circ\text{C}$

Electrical Characteristics at $T_a = 25^\circ\text{C}$

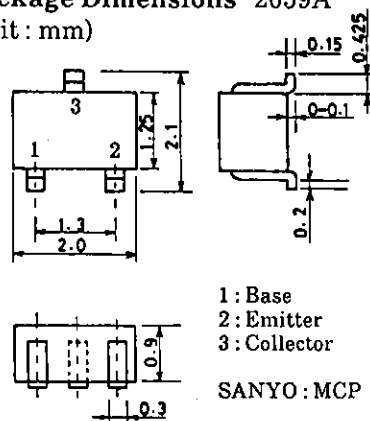
			min	typ	max	unit
Collector Cutoff Current	I_{CBO}	$V_{CB} = 10\text{V}, I_E = 0$			1.0	μA
Emitter Cutoff Current	I_{EBO}	$V_{EB} = 1\text{V}, I_C = 0$			10	μA
DC Current Gain	h_{FE}	$V_{CE} = 5\text{V}, I_C = 5\text{mA}$	60*		270*	
Gain-Bandwidth Product	f_T	$V_{CE} = 5\text{V}, I_C = 5\text{mA}$		6.5		GHz
Output Capacitance	Cob	$V_{CB} = 10\text{V}, f = 1\text{MHz}$		0.65	1.1	pF
Forward Transfer Gain	$ S_{21e} ^2$	$V_{CE} = 5\text{V}, I_C = 5\text{mA}, f = 1\text{GHz}$	8	11.5		dB
Noise Figure	NF	$V_{CE} = 5\text{V}, I_C = 5\text{mA}, f = 1\text{GHz}$		2.2	4.0	dB

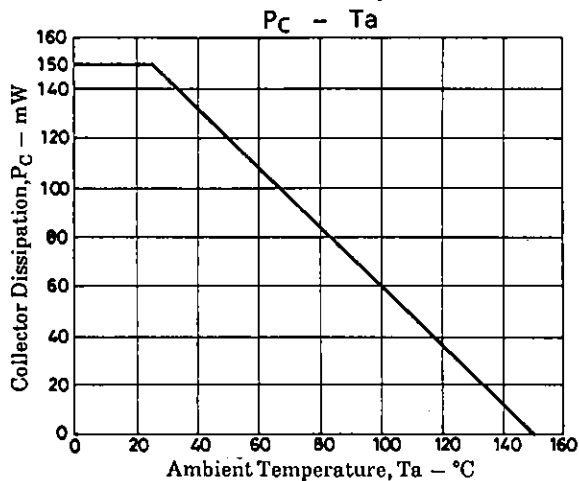
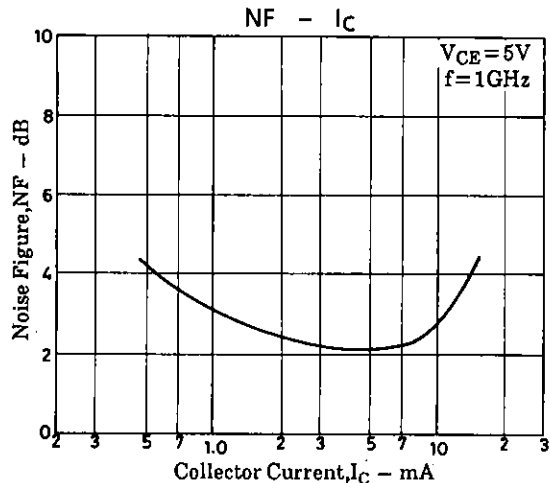
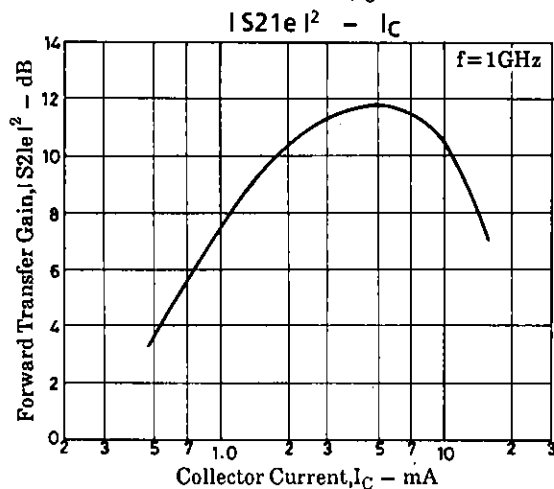
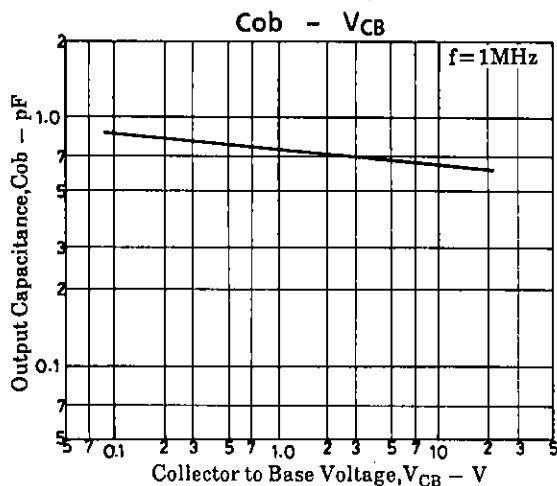
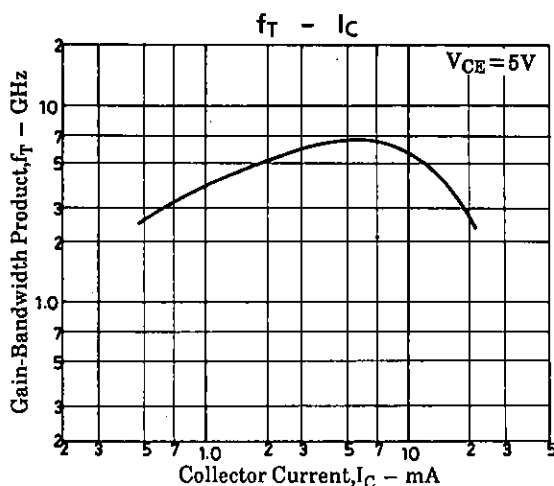
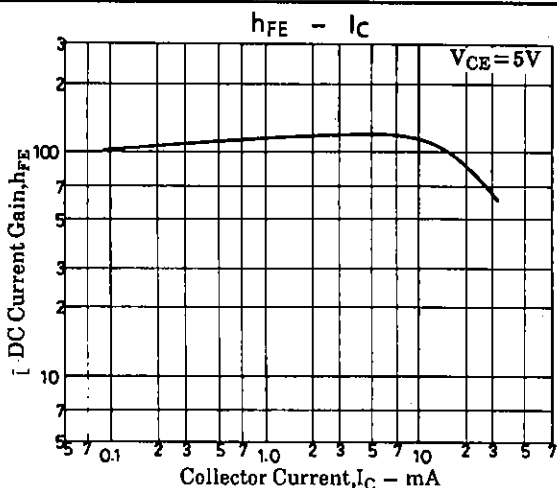
* : The 2SC4860 is classified by 5mA h_{FE} as follows :

60	3	120	90	4	180	135	5	270
----	---	-----	----	---	-----	-----	---	-----

Marking : EN
 h_{FE} rank : 3, 4, 5

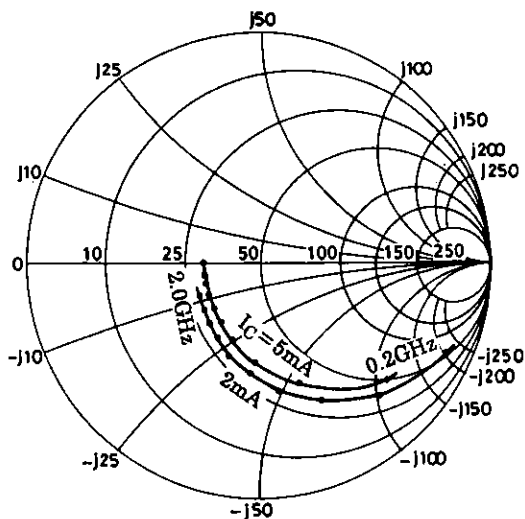
Package Dimensions 2059A
(unit : mm)



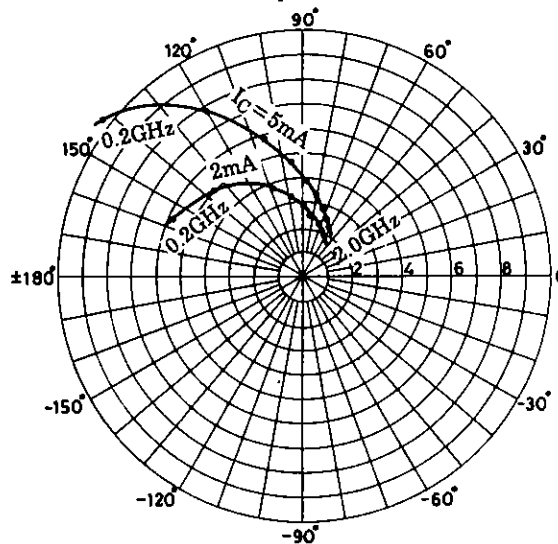


S Parameter

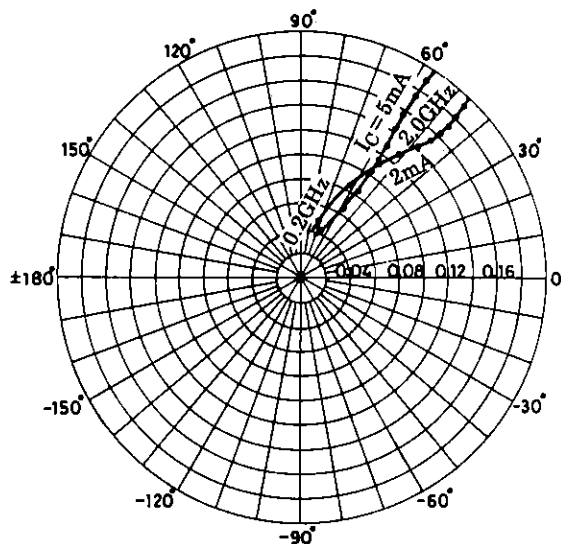
S11e: $V_{CE}=5V$
 $f=200\sim 2000MHz$ (200MHz step)



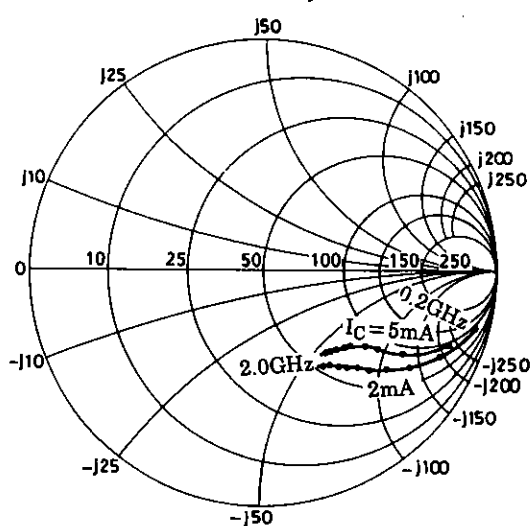
S21e: $V_{CE}=5V$
 $f=200\sim 2000MHz$ (200MHz step)



S12e: $V_{CE}=5V$
 $f=200\sim 2000MHz$ (200MHz step)



S22e: $V_{CE}=5V$
 $f=200\sim 2000MHz$ (200MHz step)



S Parameter (Common emitter)

 $V_{CE}=5V, I_C=2mA, Z_0=50\Omega$

Freq (MHz)	$ S_{11} $	$\angle S_{11}$	$ S_{21} $	$\angle S_{21}$	$ S_{12} $	$\angle S_{12}$	$ S_{22} $	$\angle S_{22}$
200	0.888	-25.7	5.847	155.4	0.049	73.1	0.946	-14.8
400	0.765	-47.7	5.082	136.2	0.085	62.3	0.845	-25.6
600	0.645	-66.2	4.368	121.1	0.110	55.1	0.755	-32.7
800	0.553	-81.7	3.777	108.9	0.127	50.9	0.678	-37.8
1000	0.475	-95.5	3.281	98.5	0.141	47.8	0.625	-42.0
1200	0.419	-108.4	2.915	89.5	0.153	46.1	0.586	-45.0
1400	0.367	-120.1	2.593	81.5	0.162	45.3	0.553	-48.0
1600	0.337	-131.8	2.350	74.4	0.170	45.2	0.525	-50.7
1800	0.312	-141.7	2.141	69.2	0.180	45.5	0.501	-53.8
2000	0.297	-153.0	1.996	63.3	0.191	46.0	0.488	-56.3

 $V_{CE}=5V, I_C=5mA, Z_0=50\Omega$

Freq (MHz)	$ S_{11} $	$\angle S_{11}$	$ S_{21} $	$\angle S_{21}$	$ S_{12} $	$\angle S_{12}$	$ S_{22} $	$\angle S_{22}$
200	0.737	-42.9	10.312	142.5	0.043	67.0	0.858	-21.1
400	0.540	-72.3	7.574	119.9	0.068	58.5	0.698	-29.9
600	0.418	-93.2	5.789	105.8	0.084	56.3	0.601	-33.4
800	0.349	-110.1	4.604	95.5	0.099	56.3	0.548	-35.7
1000	0.299	-125.4	3.885	87.1	0.114	56.6	0.518	-38.0
1200	0.275	-137.3	3.310	80.1	0.128	56.8	0.498	-39.9
1400	0.257	-149.9	2.906	73.6	0.142	57.2	0.480	-42.3
1600	0.249	-161.0	2.595	67.7	0.157	57.1	0.466	-45.5
1800	0.246	-170.2	2.346	63.6	0.172	57.1	0.450	-48.5
2000	0.245	179.7	2.174	58.4	0.189	56.7	0.447	-51.5

■ No products described or contained herein are intended for use in surgical implants, life-support systems, aerospace equipment, nuclear power control systems, vehicles, disaster/crime-prevention equipment and the like, the failure of which may directly or indirectly cause injury, death or property loss.

■ Anyone purchasing any products described or contained herein for an above-mentioned use shall:

- ① Accept full responsibility and indemnify and defend SANYO ELECTRIC CO., LTD., its affiliates, subsidiaries and distributors and all their officers and employees, jointly and severally, against any and all claims and litigation and all damages, cost and expenses associated with such use:
- ② Not impose any responsibility for any fault or negligence which may be cited in any such claim or litigation on SANYO ELECTRIC CO., LTD., its affiliates, subsidiaries and distributors or any of their officers and employees jointly or severally.

■ Information (including circuit diagrams and circuit parameters) herein is for example only; it is not guaranteed for volume production. SANYO believes information herein is accurate and reliable, but no guarantees are made or implied regarding its use or any infringements of intellectual property rights or other rights of third parties.