



ST70134 - ST70135A

ASCOT ADSL MODEM CHIP SET FOR CPE

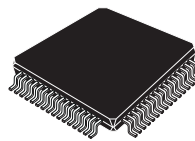
PRODUCT PREVIEW

- COMPLETE CHIP SET FOR ADSL CPE MODEM
- COMPLIANCE WITH ANSI T1.413 ISSUE 1 & ISSUE 2
- COMPLIANCE WITH G.992.1 (FULL RATE) & G.992.2 (G. LITE)
- IMPLEMENTS DISCRETE MULTITONE (DMT) MODULATION AND DEMODULATION ON CPE SIDE
- DATA RATES UP TO 8Mbps DOWNSTREAM AND TO 1Mbps UPSTREAM WITH 32Kbps GRANULARITY
- BUILT-IN ATM TRANSPORT
- SUPPORT ADAPTIVE RATE MODE IN 32Mbps INCREMENTS
- 255/128 CARRIERS WITH 4.3125KHz SPACING
- DEDICATED SOFTWARE DRIVER AVAILABLE
- PROCESSOR INDEPENDENT C++ SOURCE COMPILATION
- FREQUENCY DIVISION MULTIPLEXING (FDM) FOR HIGH ROBUSTNESS IN PRESENCE OF CROSSTALK
- REED-SOLOMON FORWARD ERROR CORRECTION
- TRELLIS CODER AND DECODER
- PROGRAMMABLE SIMULTANEOUS SUPPORT OF INTERLEAVED AND NON-INTERLEAVED CHANNELS (DUAL LATENCY)
- FULL, REDUCED AND MINIMAL ATM OVERHEAD FRAMING MODES
- BIT STREAM MODE CAPABILITY FOR STM TRANSPORT
- DIRECT CONNECTION TO ATM SYSTEMS VIA UTOPIA INTERFACE (LEVEL 1 OR 2)

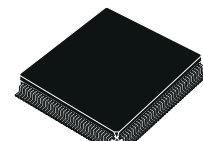
- MICROCONTROLLER INTERFACE WITH 16 BITS MULTIPLEXED ADDRESS/DATA BUS
- LOW POWER TECHNOLOGY: 1.3w TOTAL
- SINGLE 3.3V POWER SUPPLY
- 0 TO +70°C OPERATING TEMPERATURE RANGE

APPLICATIONS

- HIGH SPEED INTERNET ACCESS
- REMOTE ACCESS TO CORPORATE NETWORK FOR TELECOMMUTERS AND BRANCH OFFICES
- VIDEO-ON-DEMAND OVER TWISTED PAIR
- CPE ADSL MODEMS, AND ROUTERS
- ADSL PC NIC's
- G. LITE CPE SPLITTERLESS APPLICATIONS



TQFP64



PQFP144

ORDERING NUMBERS:

ST70134 (TQFP64)
ST70135A (PQFP144)

GENERAL DESCRIPTION

The ADSL modem chip set with ATM interface provides all the active functions required to build a complete ATM-based ADSL modem from line interface to ATM UTOPIA bus. The chip set employs Discrete MultiTone modulation as specified in ANSI T1.413.

The chip set operates at CPE end of the loop (ATU-R mode). Reed-Solomon forward error correction plus Trellis coding with or without interleaving in internal interleaving RAM provides maximum noise immunity (see Figure 3).

Interleaving is optional and can be used simultaneously on a slow channel (e.g., for data or control info) while a fast channel (e.g., video) operates without interleaving. ICs include rate adaptation capabilities during show time.

In transmit direction the chip set allows to select an attenuation of the signal in case of short loops or large echo (politeness). In receive direction the chip set can optionally control an external multiplexer to select an external attenuation of the signal in case of short loops, and provide a 2-bit output external gain control.

ASCOT chip set

ASCOT is a two-chip ADSL modem transceiver. STMicroelectronics provides the necessary software for transceiver's external controller.

ASCOT can easily be hooked up with ATM systems through the built-in UTOPIA level 2/1 interface. That allows ATM traffic to be carried at up to 8Mbit/s downstream and 1Mbit/s upstream, over a very plain and widespread twisted pair.

ASCOT is intended for use at ATU-R end.

The modem control software can be compiled as C++ code, independently on the processor used.

The driver can be interfaced to any external real time operating system.

These pages block diagrams show the main functions built-in in ST70134 and ST70135A.

ASCOT chip set supports three different rate adaptation modes: fixed rate adaptation mode, fixed with capability to boost within fixed range, dynamic rate adaptation during show time.

Modem's performances are set by the following parameters: Rate adaptation mode, Downstream and Upstream bit rate for both latency paths, Noise margins (min, max and target typically at 10E-7 BER without RS, interleaving and trellis), Maximum power spectral density for downstream, Maximum power for both up and downstream, Carrier mask (which tones are disabled), maximum interleaving delay.

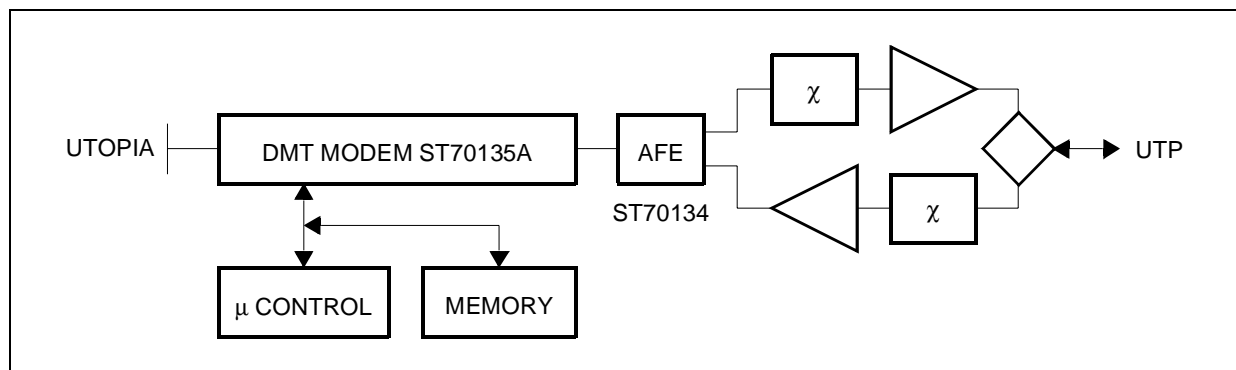
Tones from number 8 to number 255 can be used: from 8 to 31 for upsteam signals and from 32 to 255 for downstream signals. Numbers 16 and 64 (96 for ADSL over ISDN) are dedicated to pilot tones which are employed for synchronisation purposes with ATU-C end. The software sets the use of tones for optimisation of performances.

Time recovery is carried out by the chip-set through the pilot tones. This activity is undertaken in two steps in order to achieve no more than 2ppm with ATU-C.

The transceiver controller software monitors line and channel. As far as line is concerned noise margin, attenuation, power, carrier load, relative capacity occupation are checked.

Channel's monitoring deals with cell-delineation, actual ATM (fast and interleaved) up and downstream rates.

Figure 1 : ADSL modem block configuration



ASCOT ICs

ASCOT consists of an Analog Front End (ST70134) and a Discrete Multitone Modem (ST70135A) integrated circuits which are produced by STMicroelectronics.

Here below we will briefly go through the main topics of both the ICs (see Figure 2 and Figure 3).

Analog Front End (ST70134)

HCMOS5A (0.5µm) mixed digital and analog technology has been chosen to produce this component that embodies the analog functions of the ASCOT.

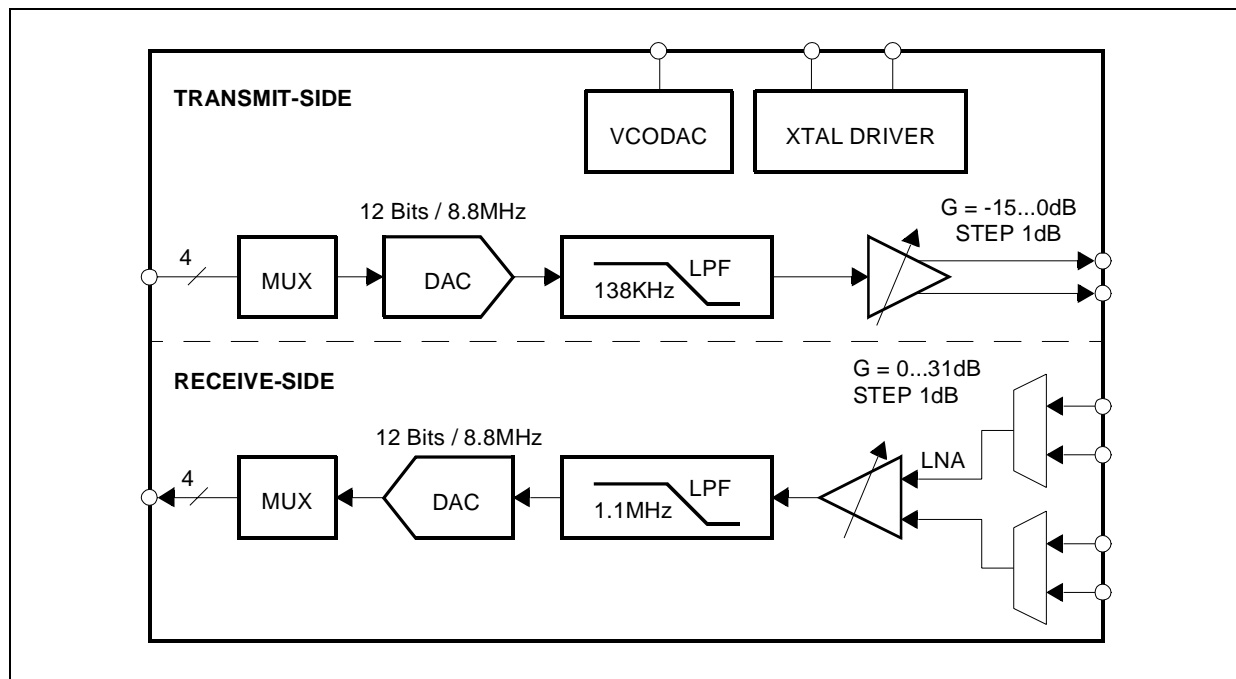
Automatic gain control amplifiers, placed at the analog interface of transmit and receive paths, allow to keep acceptable level of the signal ADC's and DAC's resolution, that is 12-bit wide with 8.8MHz sampling rate.

A built-in driver allows for external clock generation using a VCXO.

ST70134 Analog Front End's main features:

- Rx low noise amplifier (0-31dB in 1dB steps)
- Tx pre-driver amplifier (-15dB -0)
- Two input ports allow selection of RX signals, e.g. with or without external attenuation
- Programmable low pass and band pass filters
- 12-bit DAC and ADC, sampling at 8.832MHz
- Xtal: 35.328MHz, ±50ppm, the accuracy of the frequency is determined by the External XTAL
- Direct connection to ST70135A DMT modem
- Error correction on ADC output
- Analog and digital loop back modes
- Single 3.3V supply, or 3.3V analog and 3.0V digital supplies
- Power dissipation 0.4W
- Power-down mode 0.1W
- TQFP64 (10 x 10mm body, 0.5mm pitch)

Figure 2 : Analog Front End block diagram



Discrete MultiTone Digital Modem (ST70135A)

The DMT modem has been developed in HCMOS6 (0.35µm) technology. It performs PMD (Physical Medium Dependant) sub-layer and TC (Transmission Convergence) sub-layer functions. In other words we can split the chip into two separate blocks: the first one which carries out modem functions (PMD sub layer) and a second one in charge of ATM framing. The chip is controlled and programmed by an external processor and is seen as a memory mapped device.

MODEM Functions

The modem part of the chip includes all the necessary blocks needed for digitally DMT mapping and demapping. A 14-bit code for every carrier allows constellations with up to 16383 points. Internally, digital filters carry out Time Equalization to reduce the effects of the inter symbol interference. That is followed by Fast Fourier Transform (in transmit direction an Inverse FFT is performed) in order to change from time domain to frequency domain. Afterwards a Frequency Equalization cuts down carrier by carrier the channel distortion, signal's amplitude attenuation and phase rotation. By efficient algorithms, this block drives, through the ST70134's integrated VCXO controller, the NT crystal oscillator which comes up in an excellent synchronisation (less than 2ppm) with ATU-C.

FRAMING Functions

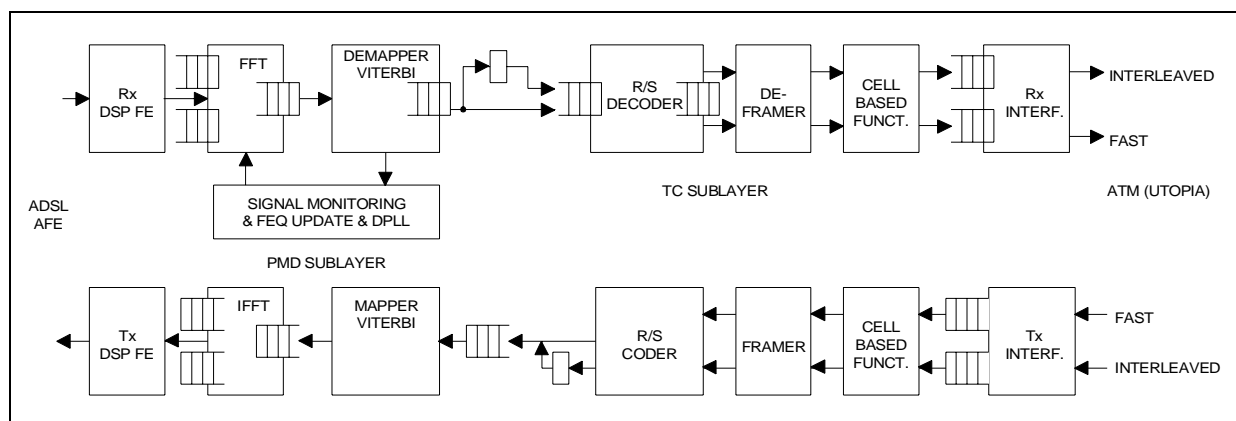
ST70135A performs framing functions for generic and ATM TC sub layers.

ATM TC sub layer performs cell level functions: delineation, idle cells or unassigned cells insertion/extraction, payload scrambling, Header Error Correction (HEC) check and data frame generation.

ST70135A DMT modem main features:

- Time-domain equalisation
- Rotor and frequency-domain equalisation
- Decimation, interpolation
- FFT and IFFT
- Mapping/demapping over 256 carriers
- Trellis coding and decoding using Viterbi algorithm
- Error and noise monitoring on individual tones
- Reed-Solomon encoding and decoding
- (De) framing and (de) interleaving
- Cell HEC generation/verification
- Payload (de) scrambling
- ATM cell insertion/extraction
- Idle &/or Unassigned cell insertion/filtering
- VPI/VCI filtering
- UTOPIA interface (Level 1 or 2)
- Microcontroller interface with 16-bit multiplexed address/data bus and big/little endian format supported
- JTAG test port
- Single 3.3V supply, 1.0W
- PQFP144 (28 x 28mm body, 0.65mm pitch)

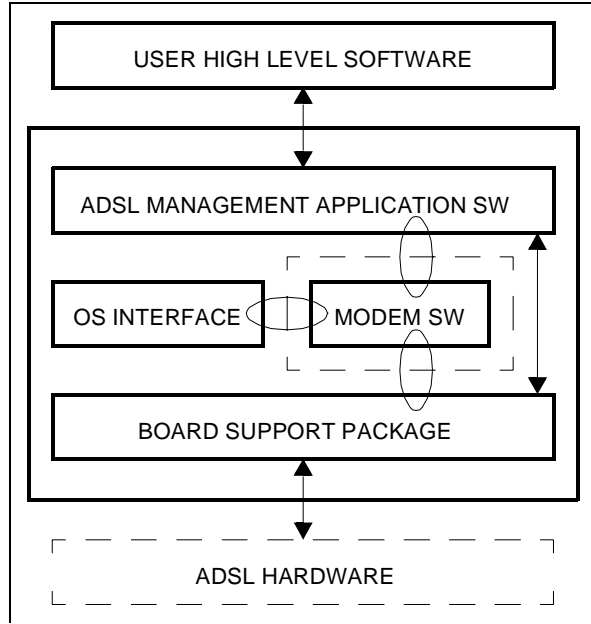
Figure 3 : DMT Modem block diagram



ADSL Modem control software

The ADSL transceiver is based on a programmable DMT modem (ST70135A) whose configuration is loaded by an external controller.

Figure 4 : Software Architecture



Additionally to the control functions, STMicroelectronics provides the DMT modem software. The software is written in C++ language, and is designed to be portable to any processor.

The driver has to be interfaced with a real time OS kernel, it is compatible with any standard product available on the market. The kernel manages the tasks dedicated to modem software.

The modem Software core comes with two software modules: Board Support Package (BSP) and Application Programming Interface (API). BSP manages the hardware dependent features (i.e. interrupts, peripheral mapping).

APIs interface to the higher level application software and to the OS.

ADSL Loop performances

The hereafter tables show the performances that a system, which houses ASCOT, can achieve for ANSI and ETSI loops. The following results refer to an end-to end ADSL equipment with no external disturbance.

ANSI Loop (26awg)

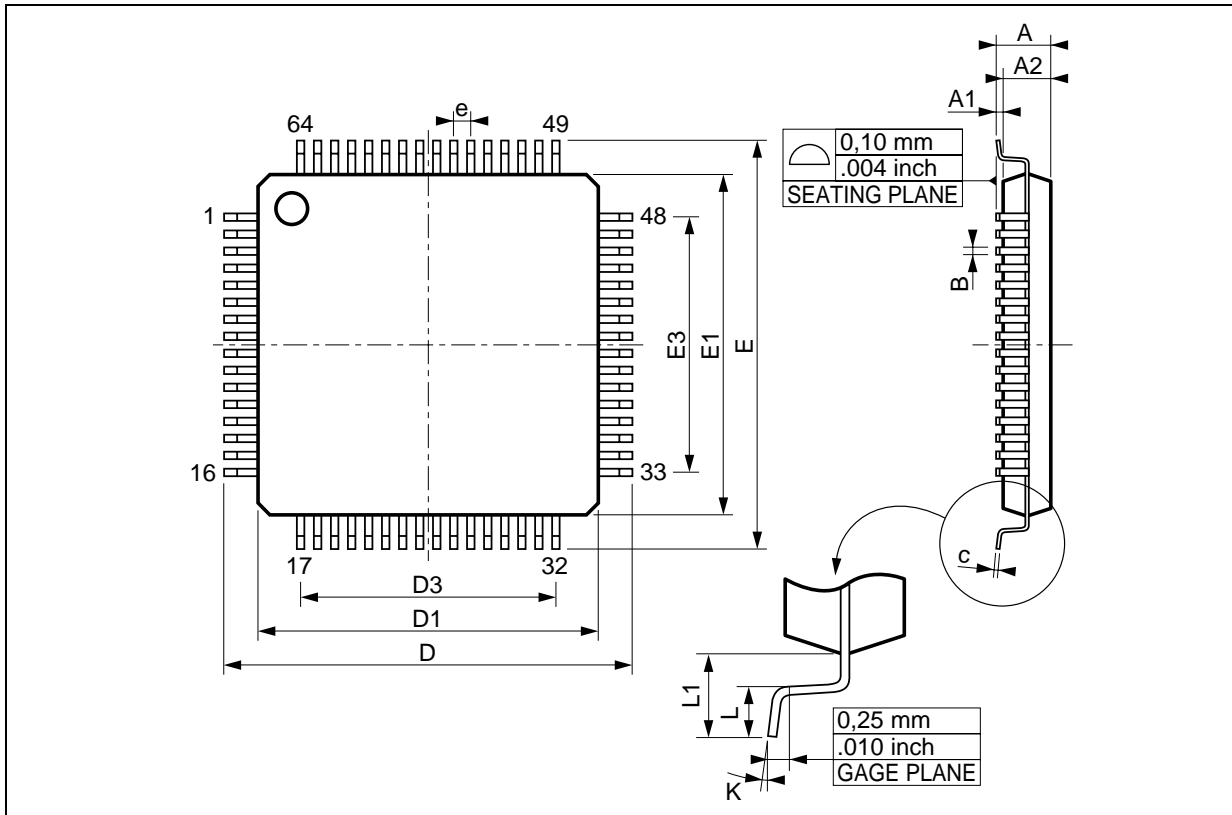
Length	Downstream	Upstream
9Kft	7.47 E +0.6	1.05 E +06
12Kft	3.69 E +0.6	9.37 E +05
15Kft	1.56 E +0.6	7.25 E +05

ETSI Loop (Loop 2, noise model A)

Length	Downstream	Upstream
2Km	8.00 E +0.6	8.32 E +05
4Km	4.07 E +0.6	6.72 E +05
5Km	1.70 E +0.6	4.72 E +05

PACKAGE MECHANICAL DATA

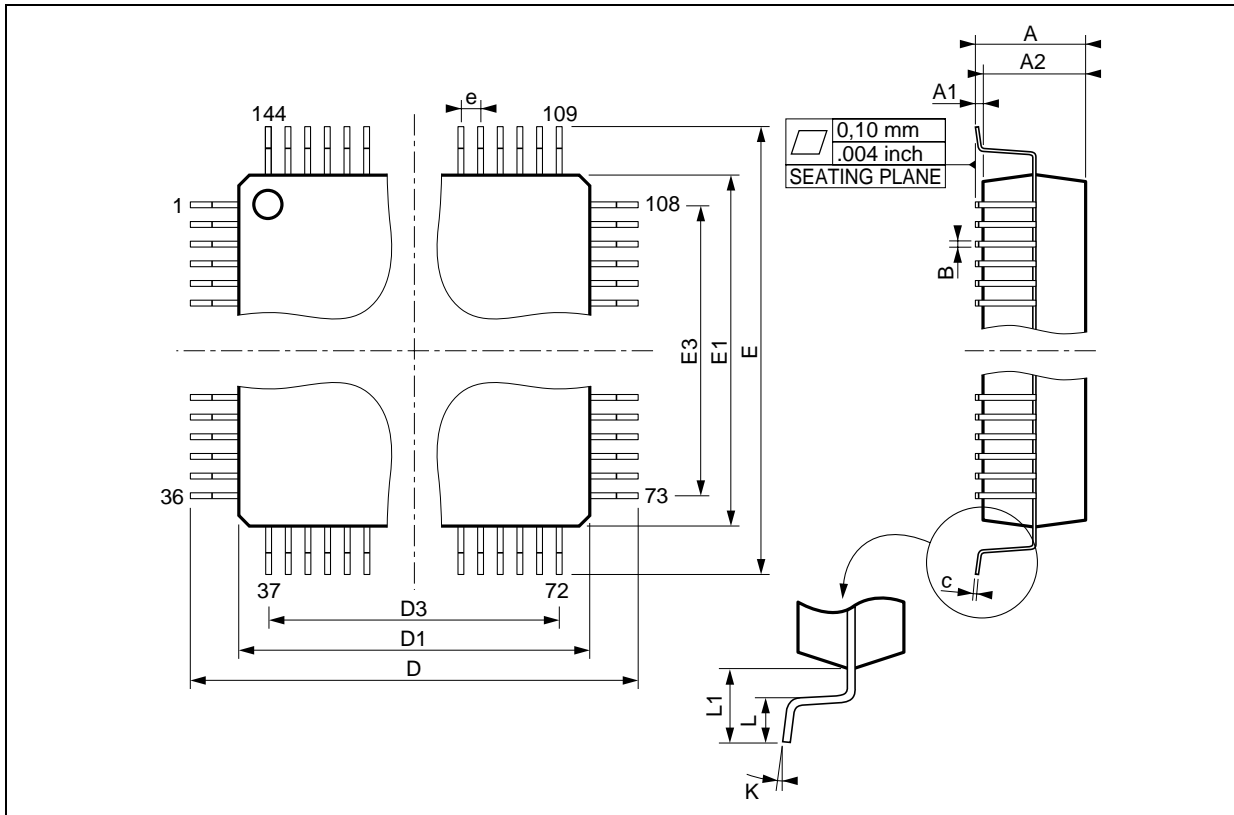
Figure 5 : Package Outline TQFP64



Dimension	Millimeter			Inch		
	Minimum	Typical	Maximum	Minimum	Typical	Maximum
A			1.60			0.063
A1	0.05		0.15	0.002		0.006
A2	1.35	1.40	1.45	0.053	0.055	0.057
B	0.18	0.23	0.28	0.007	0.009	0.011
C	0.12	0.16	0.20	0.0047	0.0063	0.0079
D		12.00			0.472	
D1		10.00			0.394	
D3		7.50			0.295	
e		0.50			0.0197	
E		12.00			0.472	
E1		10.00			0.394	
E3		7.50			0.295	
L	0.40	0.60	0.75	0.0157	0.0236	0.0295
L1		1.00			0.0393	
K	0° (minimum), 7° (maximum)					

PACKAGE MECHANICAL DATA

Figure 6 : Package Outline PQFP144



Dimension	Millimeter			Inch		
	Minimum	Typical	Maximum	Minimum	Typical	Maximum
A			4.07			0.160
A1	0.25			0.010		
A2	3.17	3.42	3.67	0.125	0.135	0.144
B	0.22		0.38	0.009		0.015
C	0.13		0.23	0.005		0.009
D	30.95	31.20	31.45	1.219	1.228	1.238
D1	27.90	28.00	28.10	1.098	1.102	1.106
D3		22.75			0.896	
e		0.65			0.026	
E	30.95	31.20	31.45	1.219	1.228	1.238
E1	27.90	28.00	28.10	1.098	1.102	1.106
E3		22.75			0.896	
L	0.65	0.80	0.95	0.026	0.031	0.037
L1		1.60			0.063	
K	0° (minimum), 7° (maximum)					

Information furnished is believed to be accurate and reliable. However, STMicroelectronics assumes no responsibility for the consequences of use of such information nor for any infringement of patents or other rights of third parties which may result from its use. No license is granted by implication or otherwise under any patent or patent rights of STMicroelectronics. Specifications mentioned in this publication are subject to change without notice. This publication supersedes and replaces all information previously supplied. STMicroelectronics products are not authorized for use as critical components in life support devices or systems without express written approval of STMicroelectronics.

The ST logo is a registered trademark of STMicroelectronics

© 2000 STMicroelectronics - All Rights Reserved

STMicroelectronics GROUP OF COMPANIES

Australia - Brazil - China - Finland - France - Germany - Hong Kong - India - Italy - Japan - Malaysia - Malta - Morocco
Singapore - Spain - Sweden - Switzerland - United Kingdom - U.S.A.

<http://www.st.com>