



MC33174 - MC35174

LOW POWER QUAD BIPOLAR OPERATIONAL AMPLIFIERS

- GOOD CONSUMPTION/SPEED RATIO :
ONLY 200 μ A FOR 2.1MHz, 2V μ s
- SINGLE (OR DUAL) SUPPLY OPERATION
FROM +4V TO +44V (\pm 2V TO \pm 22V)
- WIDE INPUT COMMON MODE MODE
VOLTAGE RANGE INCLUDING V_{CC}^-
- LOW LEVEL OUTPUT VOLTAGE CLOSE TO
 V_{CC}^- : 100mV TYPICAL
- PIN TO PIN COMPATIBLE WITH
STANDARD QUAD OP-AMPS

DESCRIPTION

The MC3x174 series are quad bipolar operational amplifier offering both low consumption (200 μ A) and good speed (2.1MHz, 2V/ μ s).

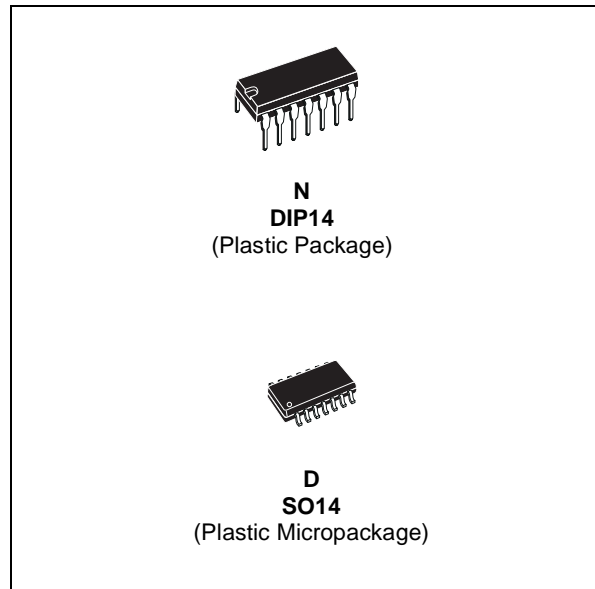
Moreover the Input Common Mode Range extends down to the lower supply rail, allowing single supply operation from +4V to +44V.

ORDER CODE

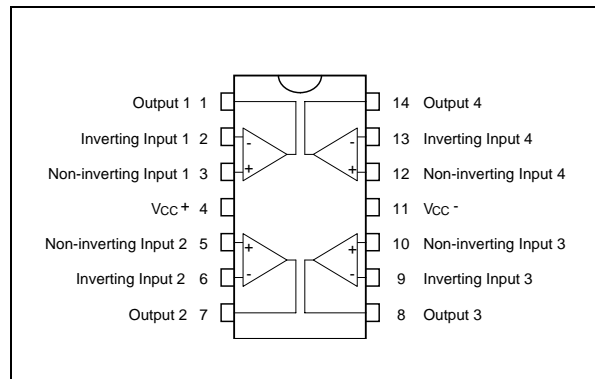
| Part Number | Temperature Range | Package | |
|---------------------------|-------------------|---------|---|
| | | N | D |
| MC33174 | -40°C, +105°C | • | • |
| MC35174 | -55°C, +125°C | • | • |
| Example : MC33174N | | | |

N = Dual in Line Package (DIP)

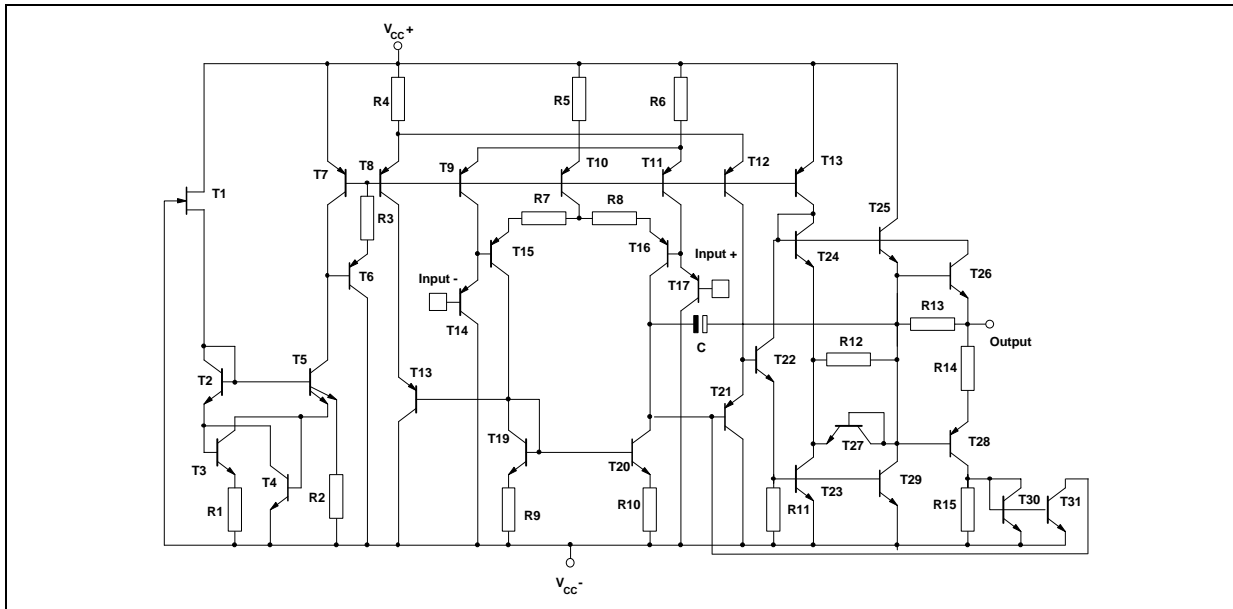
D = Small Outline Package (SO) - also available in Tape & Reel (DT))



PIN CONNECTIONS (top view)



SCHEMATIC DIAGRAM (for 1/4 MC33174)



MAXIMUM RATINGS

| Symbol | Parameter | Value | Unit |
|------------|--------------------------------------|------------------------------------------------|--------------------|
| V_{CC} | Supply Voltage | ± 22 | V |
| V_{id} | Differential Input Voltage | see note 1) | V |
| V_i | Input Voltage | see note 1 | V |
| | Output Short Circuit Duration | Indefinite | s |
| T_{oper} | Operating Free-Air Temperature range | MC33174 -40 to 105 MC35174 -55 to 125 | $^{\circ}\text{C}$ |
| T_j | Junction Temperature | 150 | $^{\circ}\text{C}$ |
| T_{stg} | Storage Temperature | -65 to 150 | $^{\circ}\text{C}$ |

1. Either or both input voltages must not exceed the magnitude of V_{cc} .

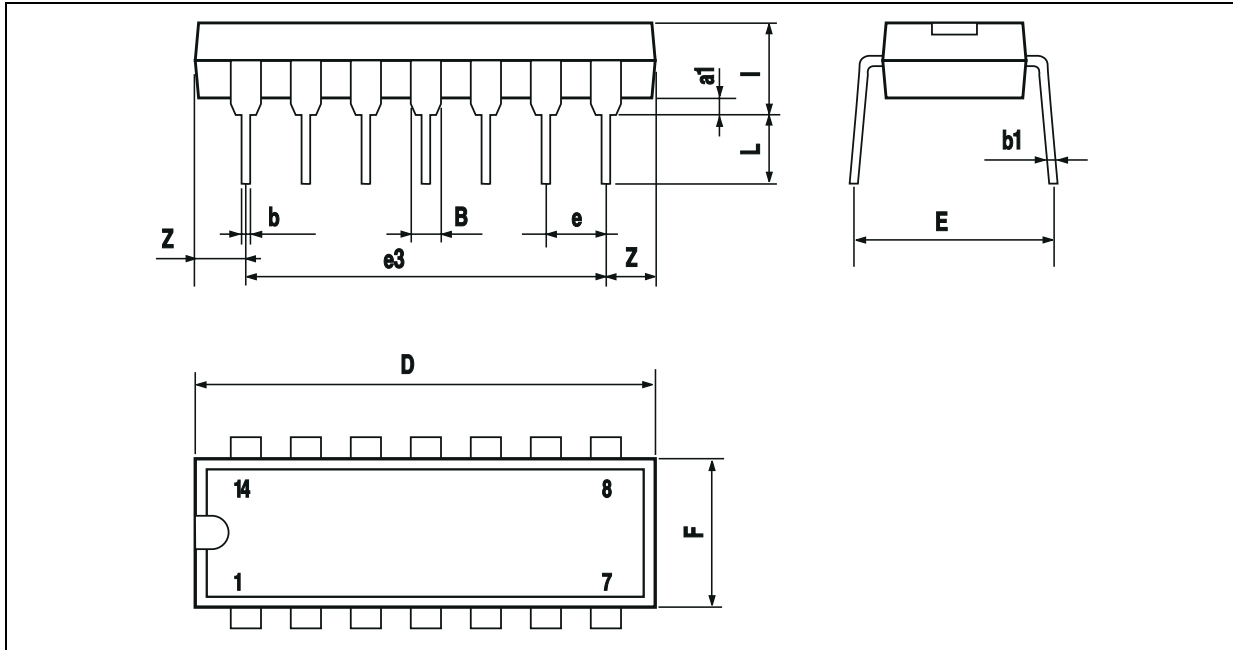
OPERATING CONDITIONS

| Symbol | Parameter | Value | Unit |
|----------|----------------|---------------------|------|
| V_{CC} | Supply Voltage | ± 2 to ± 22 | V |

ELECTRICAL CHARACTERISTICS $V_{CC}^+ = +15V$, $V_{CC}^- = -15V$, R_L connected to Ground, $T_{amb} = 25^\circ C$ (unless otherwise specified)

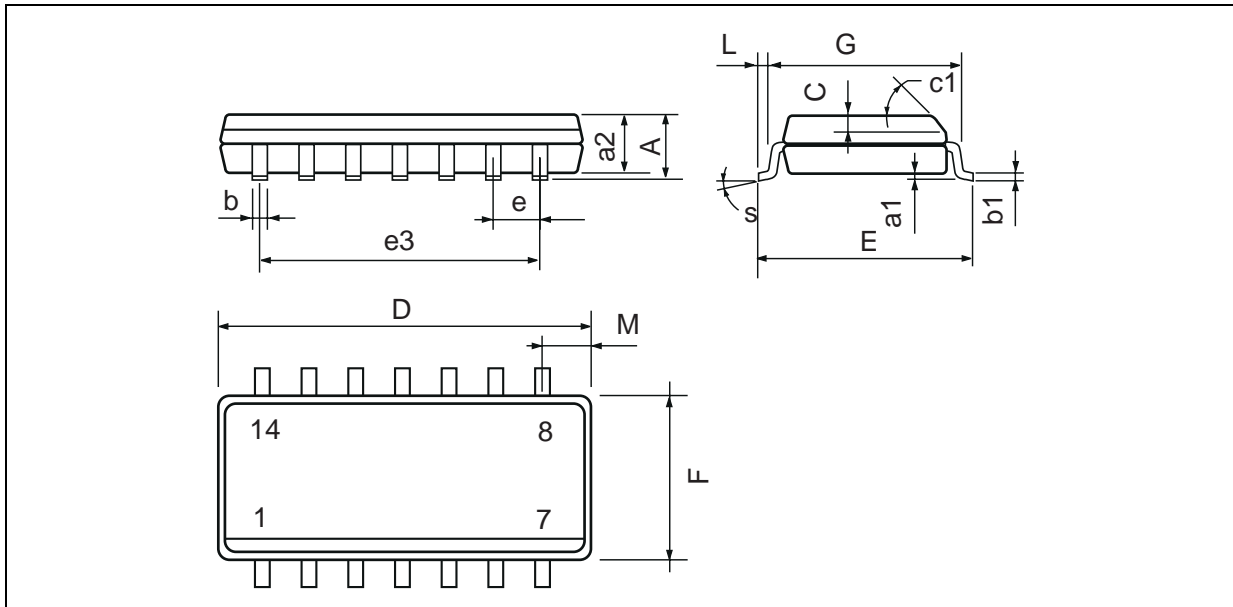
| Symbol | Parameter | Min. | Typ. | Max. | Unit |
|-----------------|------------------------------------------------------------------------------------------------------------------------------------------------------------------------------------------------------------------------------------------------------|----------------------------------------------------------------------|-------------|------------------------|------------------------|
| V_{io} | Input Offset Voltage $V_{CC}^+ = +15V$, $V_{CC}^- = -15V$, $V_{ic} = 0V$ $V_{CC}^+ = 5V$, $V_{CC}^- = 0V$, $V_{ic} = 0V$, $V_o = 1.4V$ $V_{CC}^+ = +15V$, $V_{CC}^- = -15V$, $V_{ic} = 0V$, $T_{min.} \leq T_{amb} \leq T_{max.}$ | | 1 1 | 4.5 5 6.5 | mV |
| DV_{io} | Input Offset Voltage Drift | | 10 | | $\mu V/^\circ C$ |
| I_{io} | Input Offset Current ($V_{ic} = 0V$) $T_{min.} \leq T_{amb} \leq T_{max.}$ | | 5 | 20 40 | nA |
| I_{ib} | Input Bias Current ($V_{ic} = 0V$) $T_{min.} \leq T_{amb} \leq T_{max.}$ | | 20 | 100 200 | nA |
| A_{vd} | Large Signal Voltage Gain ($R_L = 10k\Omega$, $V_o = \pm 10V$) $T_{min.} \leq T_{amb} \leq T_{max.}$ | 50 25 | 100 | | V/mV |
| V_{OH} | High Level Output Voltage $V_{CC}^+ = 5V$, $V_{CC}^- = 0V$, $R_L = 10k\Omega$ $V_{CC}^+ = +15V$, $V_{CC}^- = -15V$, $R_L = 10k\Omega$ $V_{CC}^+ = +15V$, $V_{CC}^- = -15V$, $R_L = 10k\Omega$, $T_{min.} \leq T_{amb} \leq T_{max.}$ | 3.5 13.6 13.3 | 4.2 14.2 | | V |
| V_{OL} | Low Level Output Voltage $V_{CC}^+ = 5V$, $V_{CC}^- = 0V$, $R_L = 10k\Omega$ $V_{CC}^+ = +15V$, $V_{CC}^- = -15V$, $R_L = 10k\Omega$ $V_{CC}^+ = +15V$, $V_{CC}^- = -15V$, $R_L = 10k\Omega$, $T_{min.} \leq T_{amb} \leq T_{max.}$ | | 0.1 -14 | 0.15 -13.6 -13.3 | V |
| I_{sc} | Output Short Circuit Current ($V_{id} = \pm 1V$, $V_o = 0V$) Source Sink | 3 15 | 6 27 | | mA |
| V_{icm} | Input Common Mode Voltage Range $T_{min.} \leq T_{amb} \leq T_{max.}$ | V_{CC}^- to $(V_{CC}^+ - 1.8)$ V_{CC}^- to $(V_{CC}^+ - 2.2)$ | | | V |
| CMR | Common-mode Rejection Ratio ($V_{ic} = V_{icm \text{ min.}}$) | 80 | 100 | | dB |
| SVR | Supply Voltage Rejection Ratio ($V_{CC} = \pm 5$ to $\pm 15V$) | 80 | 100 | | dB |
| I_{CC} | Supply Current $V_{CC}^+ = 5V$, $V_{CC}^- = 0V$, no load $V_{CC}^+ = +15V$, $V_{CC}^- = -15V$, no load $V_{CC}^+ = +15V$, $V_{CC}^- = -15V$, no load, $T_{min.} \leq T_{amb} \leq T_{max.}$ | | 200 220 | 250 250 300 | μA |
| SR | Slew Rate ($V_i = \pm 10V$, $R_L = 10k\Omega$, $C_L = 100pF$) | 1.6 | 2 | | V/ μs |
| GBP | Gain Bandwidth Product $R_L = 10k\Omega$, $C_L = 100pF$, $f = 100kHz$ | 1.4 | 2.1 | | MHz |
| ϕ_m | Phase Margin ($R_L = 10k\Omega$, $C_L = 100pF$) | | 45 | | Degrees |
| e_n | Equivalent Input Noise Voltage ($f = 1kHz$) | | 29 | | $\frac{nV}{\sqrt{Hz}}$ |
| THD | Total Harmonic Distortion | | 0.05 | | % |
| V_{O1}/V_{O2} | Channel Separation | | 120 | | dB |

PACKAGE MECHANICAL DATA
14 PINS - PLASTIC DIP



| Dimensions | Millimeters | | | Inches | | |
|------------|-------------|-------|------|--------|-------|-------|
| | Min. | Typ. | Max. | Min. | Typ. | Max. |
| a1 | 0.51 | | | 0.020 | | |
| B | 1.39 | | 1.65 | 0.055 | | 0.065 |
| b | | 0.5 | | | 0.020 | |
| b1 | | 0.25 | | | 0.010 | |
| D | | | 20 | | | 0.787 |
| E | | 8.5 | | | 0.335 | |
| e | | 2.54 | | | 0.100 | |
| e3 | | 15.24 | | | 0.600 | |
| F | | | 7.1 | | | 0.280 |
| i | | | 5.1 | | | 0.201 |
| L | | 3.3 | | | 0.130 | |
| Z | 1.27 | | 2.54 | 0.050 | | 0.100 |

PACKAGE MECHANICAL DATA
14 PINS - PLASTIC MICROPACKAGE (SO)



| Dimensions | Millimeters | | | Inches | | |
|------------|-------------|------|------|--------|-------|-------|
| | Min. | Typ. | Max. | Min. | Typ. | Max. |
| A | | | 1.75 | | | 0.069 |
| a1 | 0.1 | | 0.2 | 0.004 | | 0.008 |
| a2 | | | 1.6 | | | 0.063 |
| b | 0.35 | | 0.46 | 0.014 | | 0.018 |
| b1 | 0.19 | | 0.25 | 0.007 | | 0.010 |
| C | | 0.5 | | | 0.020 | |
| c1 | 45° (typ.) | | | | | |
| D (1) | 8.55 | | 8.75 | 0.336 | | 0.344 |
| E | 5.8 | | 6.2 | 0.228 | | 0.244 |
| e | | 1.27 | | | 0.050 | |
| e3 | | 7.62 | | | 0.300 | |
| F (1) | 3.8 | | 4.0 | 0.150 | | 0.157 |
| G | 4.6 | | 5.3 | 0.181 | | 0.208 |
| L | 0.5 | | 1.27 | 0.020 | | 0.050 |
| M | | | 0.68 | | | 0.027 |
| S | 8° (max.) | | | | | |

Note : (1) D and F do not include mold flash or protrusions - Mold flash or protrusions shall not exceed 0.15mm (.066 inc) ONLY FOR DATA BOOK.

Information furnished is believed to be accurate and reliable. However, STMicroelectronics assumes no responsibility for the consequences of use of such information nor for any infringement of patents or other rights of third parties which may result from its use. No license is granted by implication or otherwise under any patent or patent rights of STMicroelectronics. Specifications mentioned in this publication are subject to change without notice. This publication supersedes and replaces all information previously supplied. STMicroelectronics products are not authorized for use as critical components in life support devices or systems without express written approval of STMicroelectronics.

© The ST logo is a registered trademark of STMicroelectronics

© 2002 STMicroelectronics - Printed in Italy - All Rights Reserved
STMicroelectronics GROUP OF COMPANIES

Australia - Brazil - Canada - China - Finland - France - Germany - Hong Kong - India - Israel - Italy - Japan - Malaysia
Malta - Morocco - Singapore - Spain - Sweden - Switzerland - United Kingdom - United States

© <http://www.st.com>

