

---

# HN58C65 Series

8192-word × 8-bit Electrically Erasable and Programmable CMOS  
ROM

# HITACHI

ADE-203-374A (Z)

Rev. 1.0

Apr. 12, 1995

---

## Description

The Hitachi HN58C65 is a electrically erasable and programmable ROM organized as 8192-word × 8-bit. It realizes high speed, low power consumption, and a high level of reliability, employing advanced MNOS memory technology and CMOS process and circuitry technology. It also has a 32-byte page programming function to make its erase and write operations faster.

## Features

- Single 5 V Supply
- On chip latches: address, data,  $\overline{CE}$ ,  $\overline{OE}$ ,  $\overline{WE}$
- Automatic byte write: 10 ms max
- Automatic page write (32 byte): 10 ms max
- Fast access time: 250 ns max
- Low power dissipation: 20 mW/MHz typ (Active)  
2.0 mW typ (Standby)
- $\overline{Data}$  polling and Ready/ $\overline{Busy}$
- Data protection circuitry on power on/power off
- Conforms to JEDEC byte-wide standard
- Reliable CMOS with MNOS cell technology
- $10^5$  erase/write cycles (in page mode)
- 10 year data retention

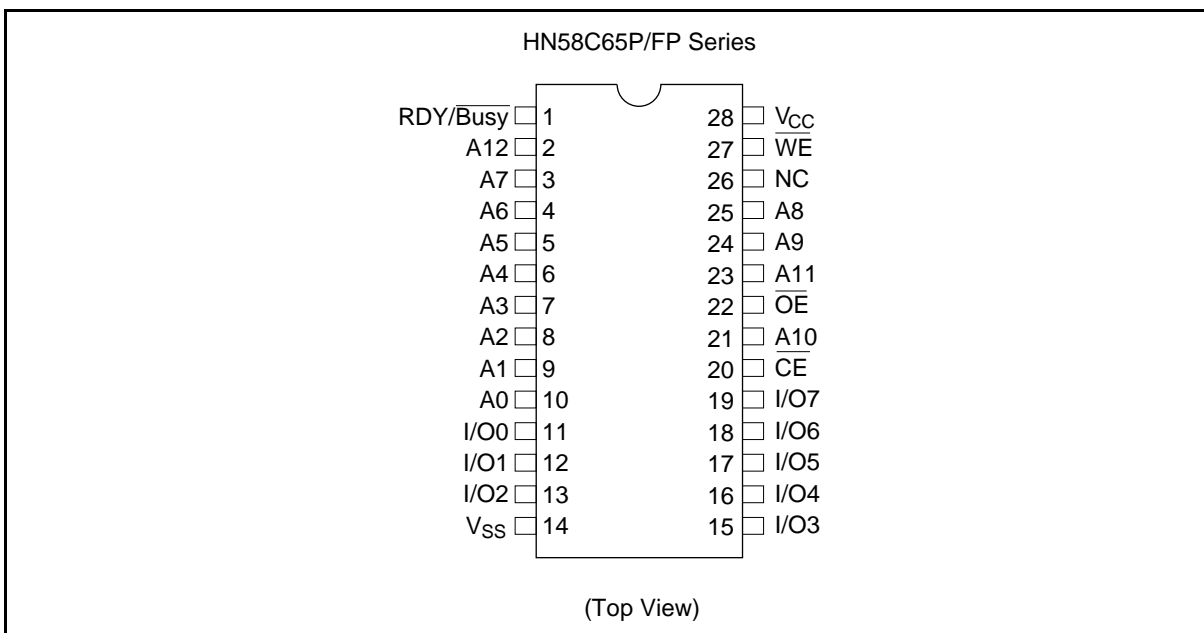
## Ordering Information

Type No.	Access Time	Package
HN58C65P-25	250 ns	600 mil 28 pin plastic DIP (DP-28)
HN58C65FP-25	250 ns	28 pin plastic SOP <sup>1</sup> (FP-28D/DA)

Note: 1. T is added to the end of the type no. for a SOP of 3.0 mm (max) thickness.

## HN58C65 Series

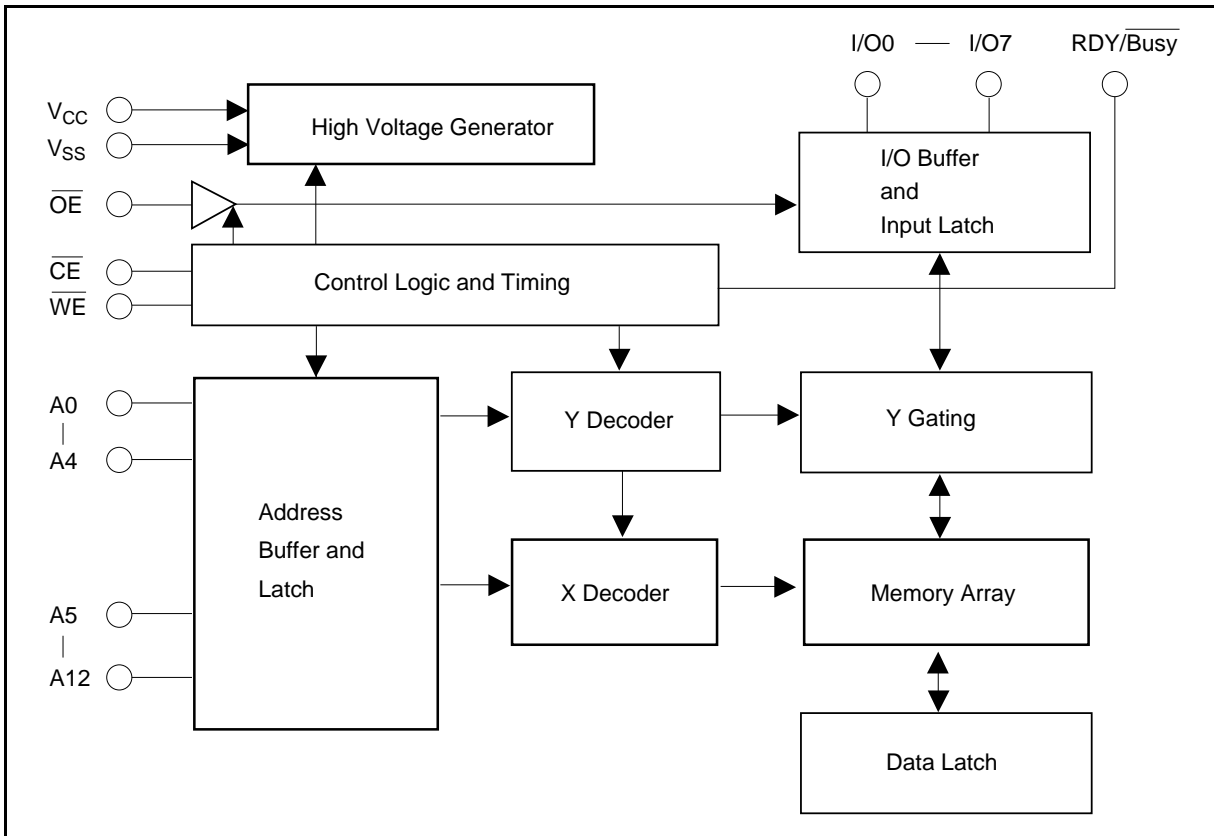
### Pin Arrangement



### Pin Description

Pin Name	Function
A0 – A12	Address input
I/O1 – I/O7	Data input/output
$\overline{OE}$	Output enable
$\overline{CE}$	Chip enable
$\overline{WE}$	Write enable
$V_{cc}$	Power (+5 V)
$V_{ss}$	Ground
NC	No connection
$\overline{RDY/Busy}$	Ready/Busy

**Block Diagram**



**Mode Selection**

Pin Mode	$\overline{CE}$	$\overline{OE}$	$\overline{WE}$	$\overline{RDY/Busy}$	I/O
Read	$V_{IL}$	$V_{IL}$	$V_{IH}$	High-Z	Dout
Standby	$V_{IH}$	$X^1$	X	High-Z	High-Z
Write	$V_{IL}$	$V_{IH}$	$V_{IL}$	High-Z to $V_{OL}$	Din
Deselect	$V_{IL}$	$V_{IH}$	$V_{IH}$	High-Z	High-Z
Write inhibit	X	X	$V_{IH}$		
	X	$V_{IL}$	X	High-Z	—
Data polling	$V_{IL}$	$V_{IL}$	$V_{IH}$	$V_{OL}$	Data out (I/O7)

Note: 1. X = Don't care

---

## HN58C65 Series

---

### Absolute Maximum Ratings

Parameter	Symbol	Value	Unit
Supply voltage <sup>1</sup>	$V_{CC}$	-0.6 to +7.0	V
Input voltage <sup>1</sup>	$V_{in}$	-0.5 <sup>2</sup> to +7.0	V
Operating temperature range <sup>3</sup>	$T_{opr}$	0 to +70	°C
Storage temperature range	$T_{stg}$	-55 to +125	°C

Notes: 1. With respect to  $V_{SS}$   
2. -3.0 V for pulse width  $\leq$  50 ns.  
3. Including electrical characteristics and data retention.

### Recommended DC Operating Conditions

Parameter	Symbol	Min	Typ	Max	Unit
Supply voltage	$V_{CC}$	4.5	5.0	5.5	V
Input voltage	$V_{IL}$	-0.3	—	0.8	V
	$V_{IH}$	2.2	—	$V_{CC} + 1$	V
Operating temperature	$T_{opr}$	0	—	70	°C

## HN58C65 Series

### DC Characteristics (Ta = 0 to +70°C, V<sub>CC</sub> = 5 V ± 10%)

Parameter	Symbol	Min	Typ	Max	Unit	Test Conditions
Input leakage current	I <sub>LI</sub>	—	—	2	μA	V <sub>CC</sub> = 5.5 V V <sub>in</sub> = 5.5 V
Output leakage current	I <sub>LO</sub>	—	—	2	μA	V <sub>CC</sub> = 5.5 V V <sub>out</sub> = 5.5/0.4 V
V <sub>CC</sub> current (Standby)	I <sub>CC1</sub>	—	—	1	mA	$\overline{CE} = V_{IH}, \overline{CE} = V_{CC}$
V <sub>CC</sub> current (Active)	I <sub>CC2</sub>	—	—	8	mA	I <sub>out</sub> = 0 mA Duty = 100% Cycle = 1 μs at V <sub>CC</sub> = 5.5 V
		—	—	25	mA	I <sub>out</sub> = 0 mA Duty = 100% Cycle = 250 ns at V <sub>CC</sub> = 5.5 V
Input low voltage	V <sub>IL</sub>	-0.3 <sup>1</sup>	—	0.8	V	
Input high voltage	V <sub>IH</sub>	2.2	—	V <sub>CC</sub> + 1	V	
Output low voltage	V <sub>OL</sub>	—	—	0.4	V	I <sub>OL</sub> = 2.1 mA
Output high voltage	V <sub>OH</sub>	2.4	—	—	V	I <sub>OH</sub> = -400 μA

Note: 1. -1.0 V for pulse width ≤ 50 ns

### Capacitance (Ta = 25°C, f = 1 MHz)

Parameter	Symbol	Min	Typ	Max	Unit	Test Conditions
Input capacitance <sup>*1</sup>	C <sub>in</sub>	—	—	6	pF	V <sub>in</sub> = 0 V
Output capacitance <sup>*1</sup>	C <sub>out</sub>	—	—	12	pF	V <sub>out</sub> = 0 V

Note: 1. This parameter is periodically sampled and not 100% tested.

### AC Characteristics (Ta = 0 to +70°C, V<sub>CC</sub> = 5 V ± 10%)

#### Test Conditions

- Input pulse levels: 0.4 V to 2.4 V
- Input rise and fall time: ≤ 20 ns
- Output load: 1TTL gate + 100 pF
- Reference levels for measuring timing: 0.8 V and 2 V

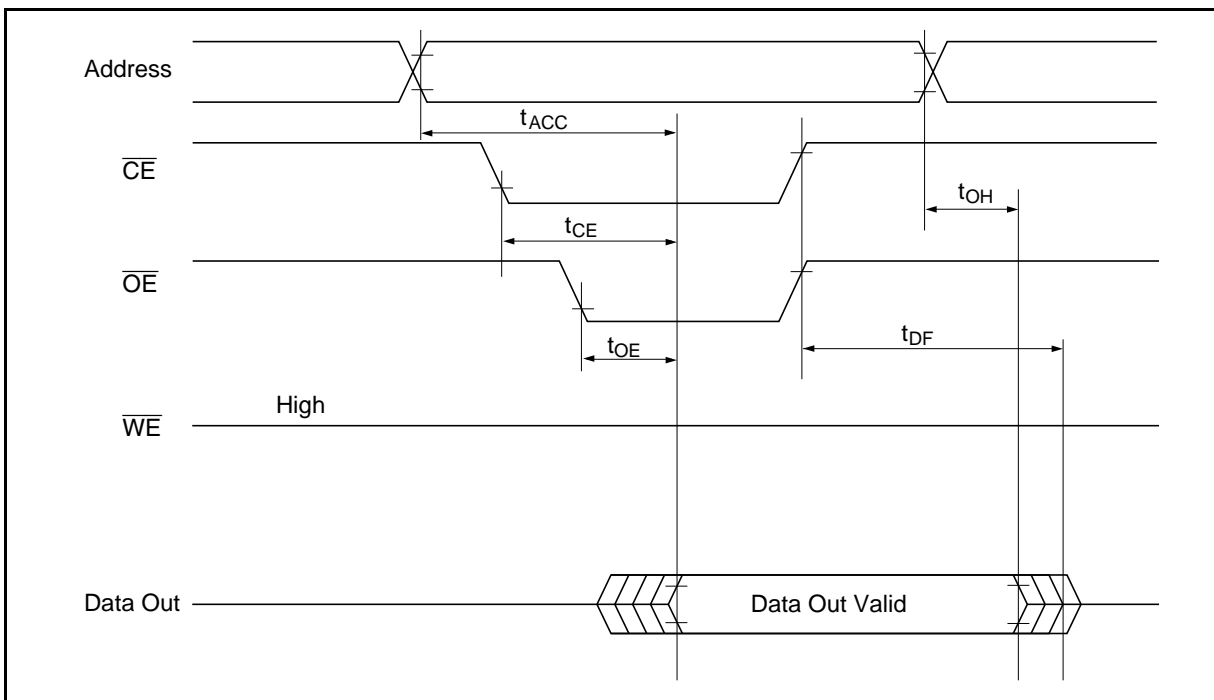
## HN58C65 Series

### Read Cycle

Parameter	Symbol	Min	Max	Unit	Test Conditions
Address to output delay	$t_{ACC}$	—	250	ns	$\overline{CE} = \overline{OE} = V_{IL}, \overline{WE} = V_{IH}$
$\overline{CE}$ to output delay	$t_{CE}$	—	250	ns	$\overline{OE} = V_{IL}, \overline{WE} = V_{IH}$
$\overline{OE}$ to output delay	$t_{OE}$	10	100	ns	$\overline{CE} = V_{IL}, \overline{WE} = V_{IH}$
Address to output hold	$t_{OH}$	0	—	ns	$\overline{CE} = \overline{OE} = V_{IL}, \overline{WE} = V_{IH}$
$\overline{OE}, \overline{CE}$ high to output float <sup>*1</sup>	$t_{DF}$	0	90	ns	$\overline{CE} = V_{IL}, \overline{WE} = V_{IH}$

Note: 1.  $t_{DF}$  is defined at which the outputs achieve the open circuit conditions and are no longer driven.

### Read Timing Waveform



**Write Cycle**

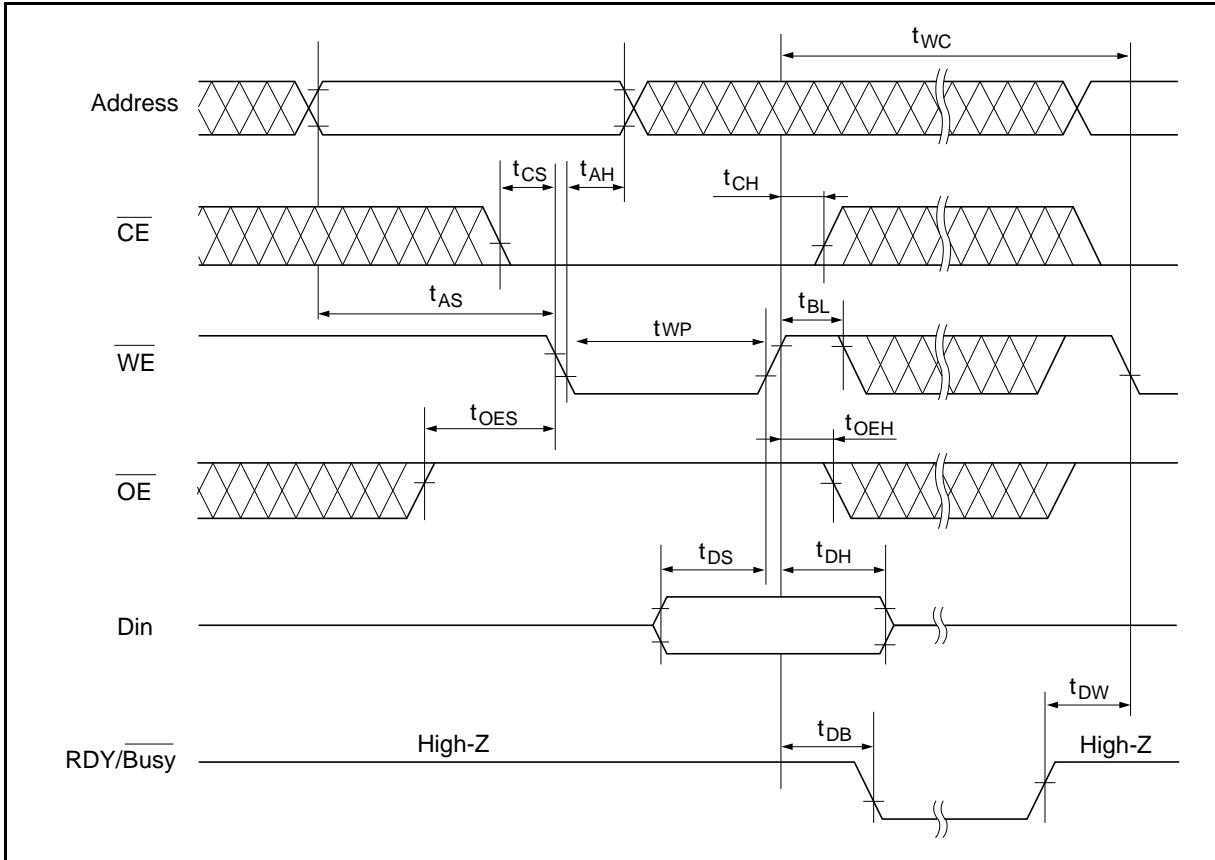
Parameter	Symbol	Min <sup>*1</sup>	Typ	Max	Unit	Test Conditions
Address setup time	$t_{AS}$	0	—	—	ns	
Address hold time	$t_{AH}$	150	—	—	ns	
$\overline{CE}$ to write setup time ( $\overline{WE}$ controlled)	$t_{CS}$	0	—	—	ns	
$\overline{CE}$ hold time ( $\overline{WE}$ controlled)	$t_{CH}$	0	—	—	ns	
$\overline{WE}$ to write setup time ( $\overline{CE}$ controlled)	$t_{WS}$	0	—	—	ns	
$\overline{WE}$ hold time ( $\overline{CE}$ controlled)	$t_{WH}$	0	—	—	ns	
$\overline{OE}$ to write setup time	$t_{OES}$	0	—	—	ns	
$\overline{OE}$ hold time	$t_{OEH}$	0	—	—	ns	
Data setup time	$t_{DS}$	100	—	—	ns	
Data hold time	$t_{DH}$	20	—	—	ns	
$\overline{WE}$ pulse width ( $\overline{WE}$ controlled)	$t_{WP}$	200	—	—	ns	
$\overline{CE}$ pulse width ( $\overline{CE}$ controlled)	$t_{CW}$	200	—	—	ns	
Data latch time	$t_{DL}$	100	—	—	ns	
Byte lode cycle	$t_{BLC}$	0.30	—	30	$\mu$ s	
Byte lode window	$t_{BL}$	100	—	—	$\mu$ s	
Write cycle time	$t_{WC}$	—	—	$10^2$	ms	
Time to devce busy	$t_{DB}$	120	—	—	ns	
Write start time	$t_{DW}$	150	—	—	ns	

Notes: 1. Use this device in longer cycle than this value.

2.  $t_{WC}$  must be longer than this value unless polling technique is used. This device automatically completes the internal write operation within this value.

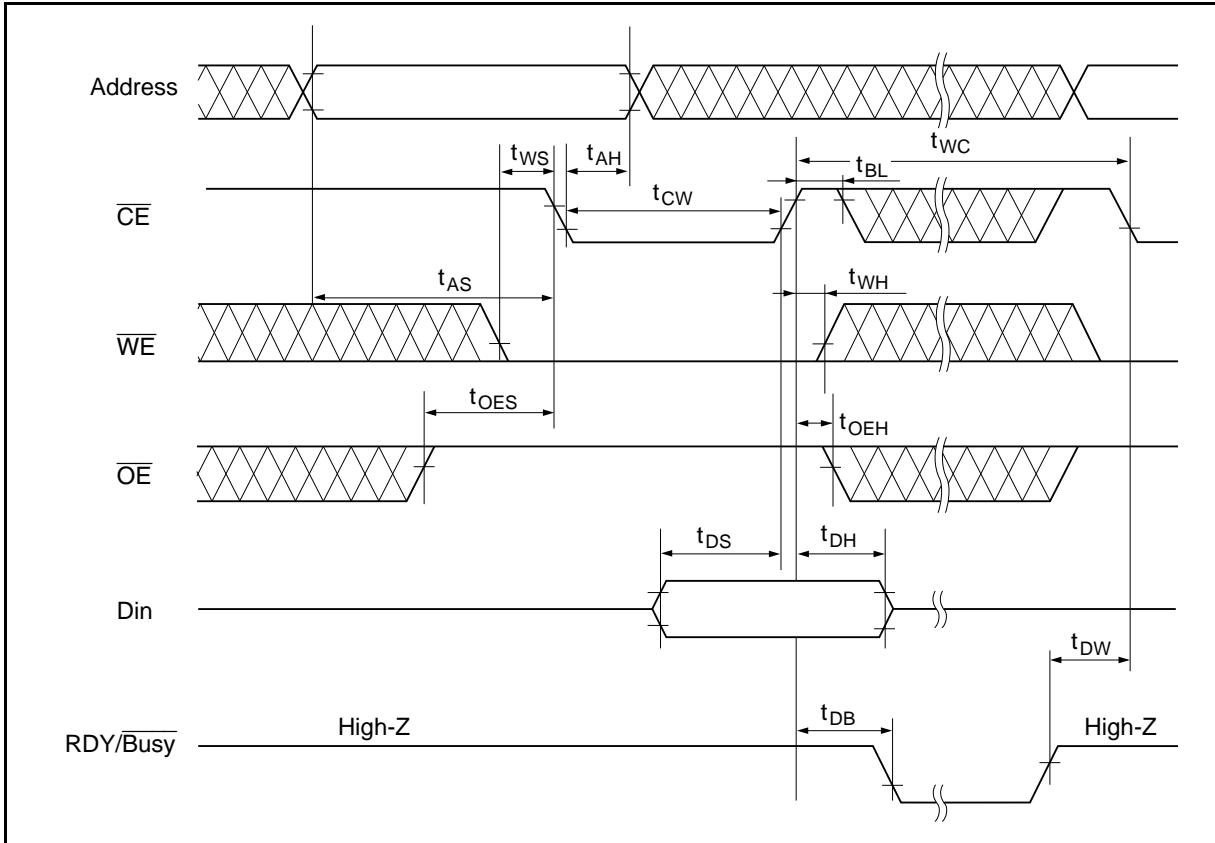
# HN58C65 Series

## Byte Write Timing Waveform (1) ( $\overline{WE}$ Controlled)



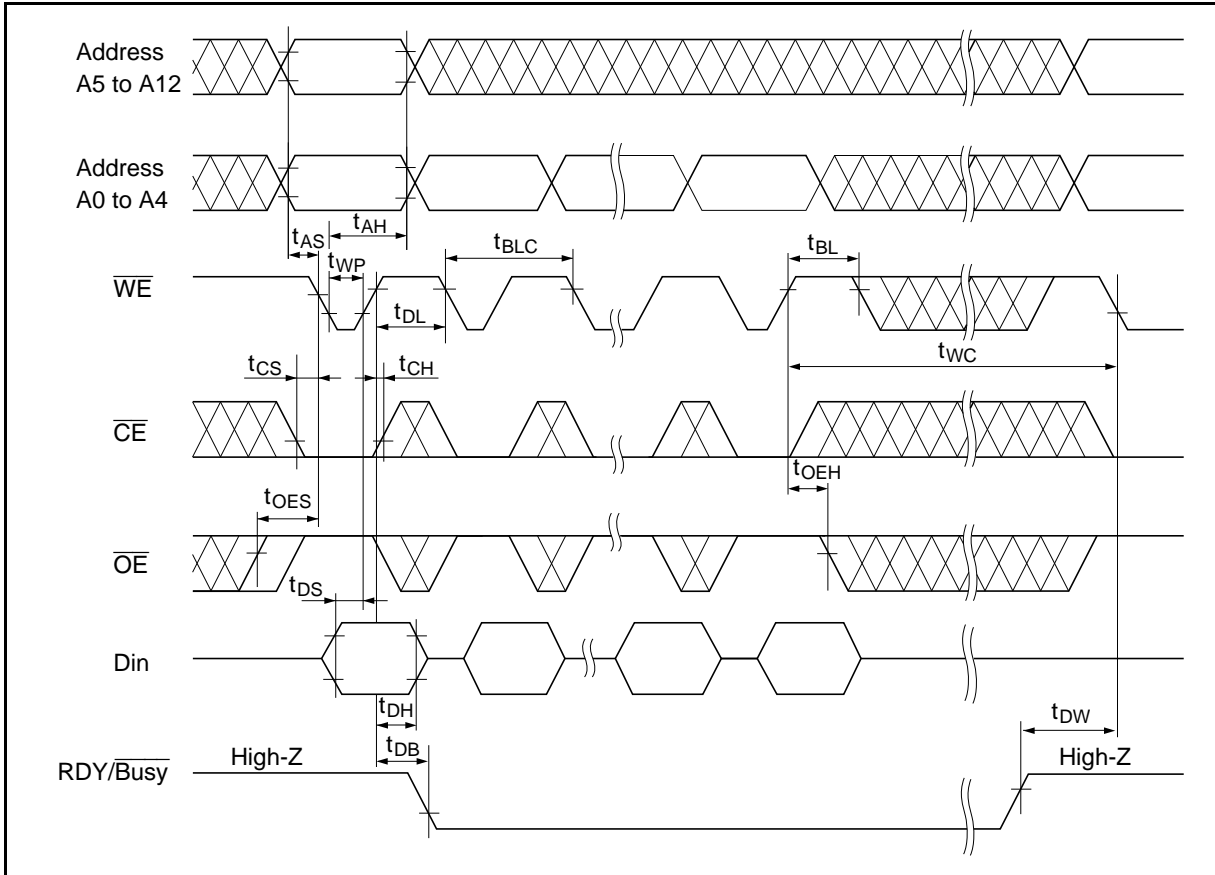


**Byte Write Timing Waveform (2) ( $\overline{\text{CE}}$  Controlled)**

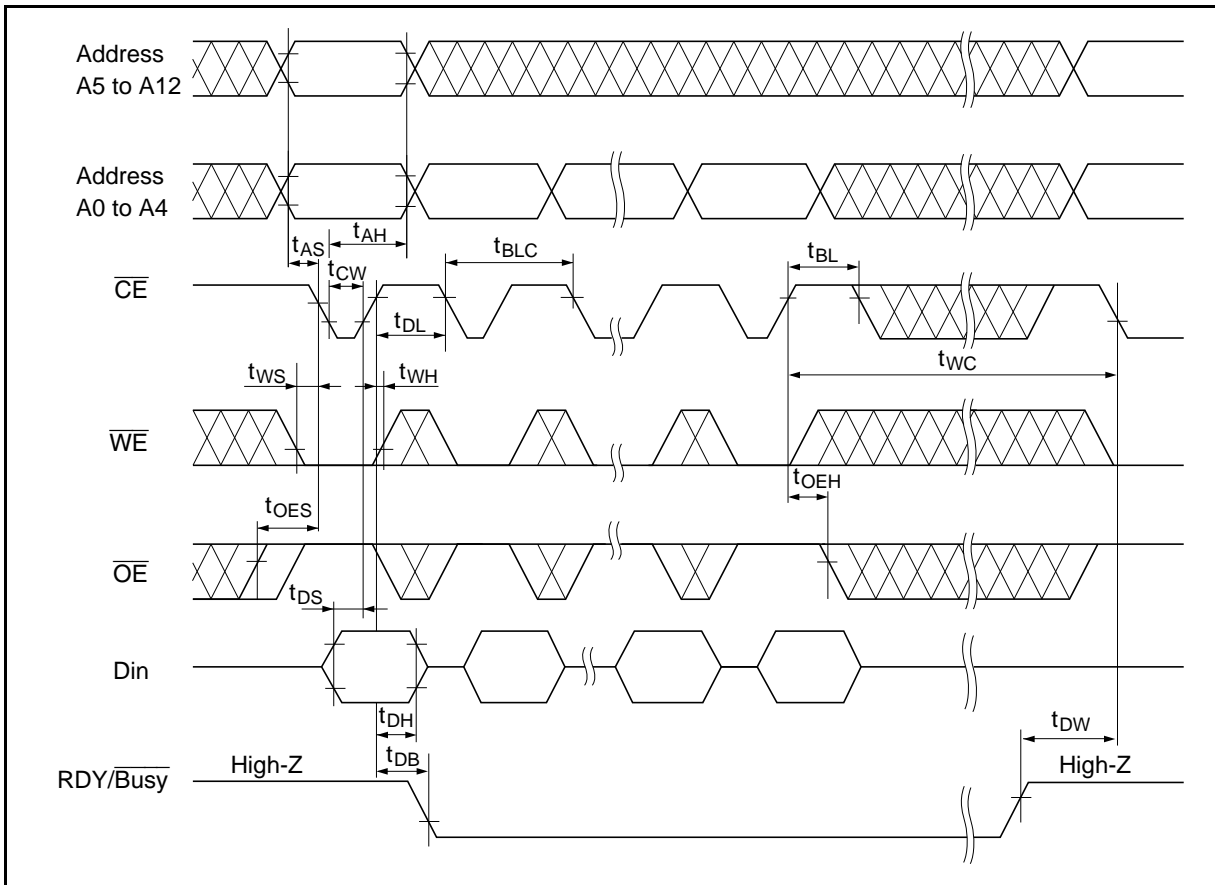


# HN58C65 Series

## Page Write Timing Waveform (1) ( $\overline{\text{WE}}$ Controlled)

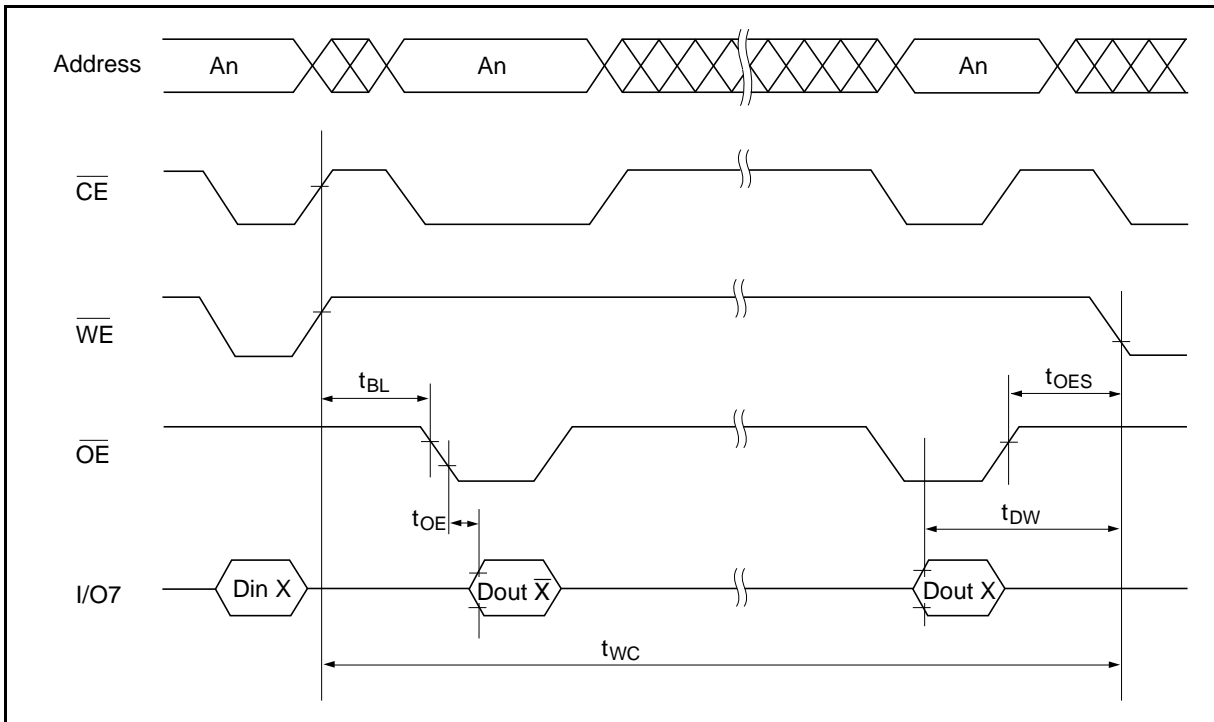


Page Write Timing Waveform (2) ( $\overline{\text{CE}}$  Controlled)



## HN58C65 Series

### Data Polling Timing Waveform



### Functional Description

#### Automatic Page Write

Page-mode write feature allows 1 to 32 bytes of data to be written into the EEPROM in a single write cycle. Following the initial byte cycle, an additional 1 to 31 bytes can be written in the same manner. Each additional byte load cycle must be started within 30  $\mu$ s of the preceding rising edge of the  $\overline{WE}$ . When  $\overline{CE}$  or  $\overline{WE}$  is high for 100  $\mu$ s after data input, the EEPROM enters write mode automatically and the input data are written into the EEPROM.

#### Data Polling

Data polling allows the status of the EEPROM to be determined. If EEPROM is set to read mode during a write cycle, an inversion of the last byte of data to be loaded outputs from I/O7 to indicate that the EEPROM is performing a write operation.

#### RDY/ $\overline{Busy}$ Signal

RDY/ $\overline{Busy}$  signal also allows the status of the EEPROM to be determined. The RDY/ $\overline{Busy}$  signal has high impedance, except in write cycle and is lowered to  $V_{OL}$  after the first write signal. At the end of a write cycle, the RDY/ $\overline{Busy}$  signal changes state to high impedance.

**$\overline{\text{WE}}$ ,  $\overline{\text{CE}}$  Pin Operation**

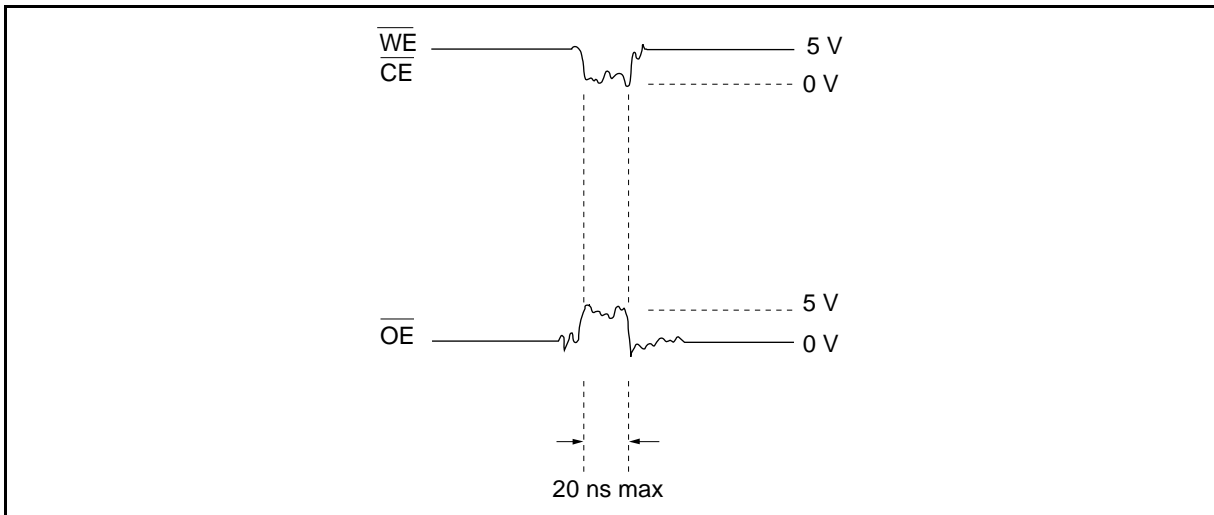
During a write cycle, addresses are latched by the falling edge of  $\overline{\text{WE}}$  or  $\overline{\text{CE}}$  and data is latched by the rising edge of  $\overline{\text{WE}}$  or  $\overline{\text{CE}}$ .

**Write/Erase Endurance and Data Retention Time**

The endurance is  $10^5$  cycles in case of the page programming and  $3 \times 10^3$  cycles in case of byte programming (1% cumulative failure rate). The data retention time is more than 10 years when a device is page-programmed less than  $10^4$  cycles.

**Data Protection****1. Data Protection against Noise on Control Pins ( $\overline{\text{CE}}$ ,  $\overline{\text{OE}}$ ,  $\overline{\text{WE}}$ ) during Operation**

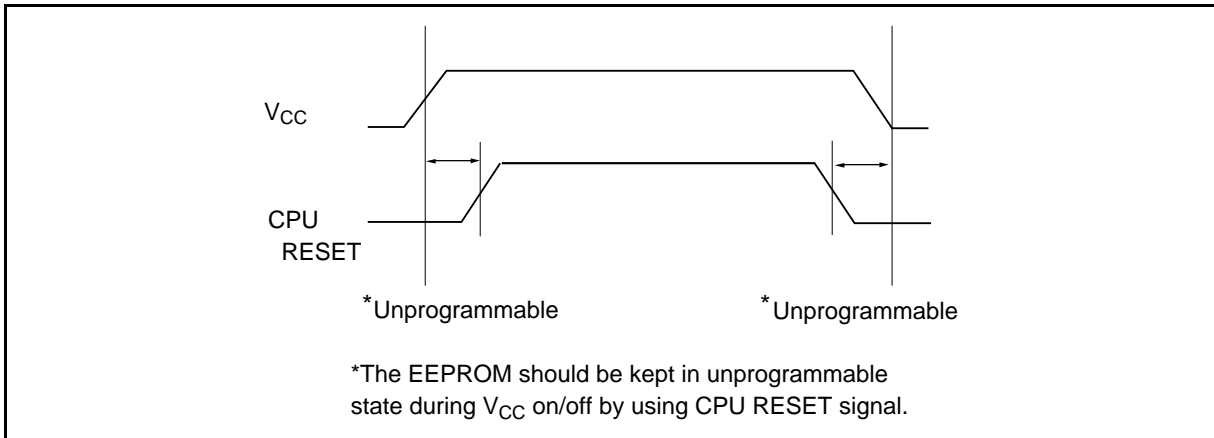
During readout or standby, noise on the control pins may act as a trigger and turn the EEPROM to program mode by mistake. To prevent this phenomenon, this device has a noise cancelation function that cuts noise if its width is 20 ns or less in program mode. Be careful not to allow noise of a width of more than 20 ns on the control pins.



## HN58C65 Series

### 2. Data Protection at $V_{CC}$ On/Off

When  $V_{CC}$  is turned on or off, noise on the control pins generated by external circuits (CPU, etc.) may act as a trigger and turn the EEPROM to program mode by mistake. To prevent this unintentional programming, the EEPROM must be kept in an unprogrammable state while the CPU is in an unstable state.



In addition, when  $V_{CC}$  is turned on or off, the input level of on control pins must be held as shown in the table below.

$\overline{CE}$	$V_{CC}$	X	X
$\overline{OE}$	X	$V_{SS}$	X
$\overline{WE}$	X	X	$V_{CC}$

X: Don't care.

$V_{CC}$ : Pull-up to  $V_{CC}$  level

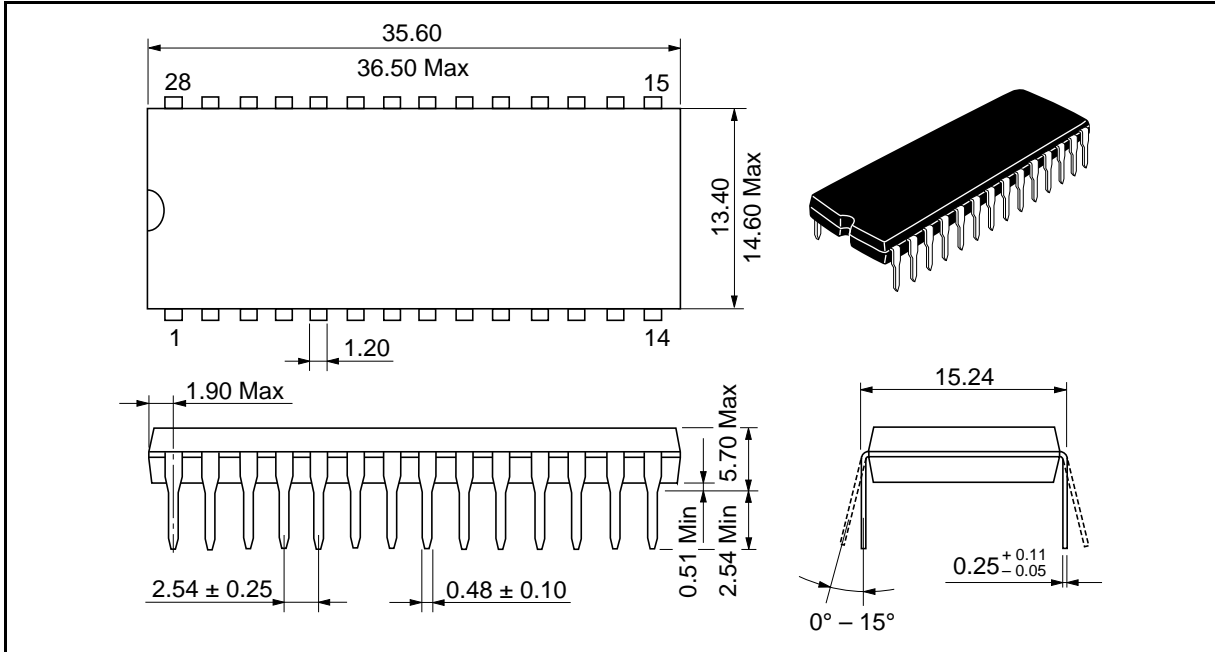
$V_{SS}$ : Pull-down to  $V_{SS}$  level.

# HN58C65 Series

## Package Dimensions

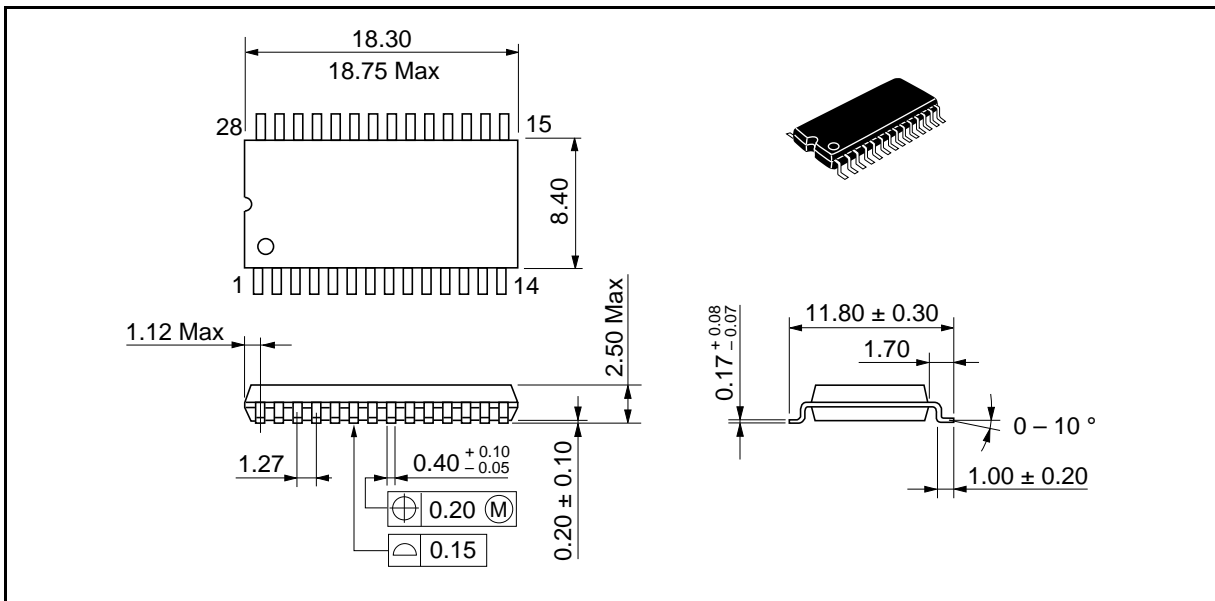
HN58C65P series (DP-28)

Unit: mm



HN58C65FP Series (FP-28D)

Unit: mm



# HN58C65 Series

HN58C65FP Series (FP-28DA)

Unit: mm

