

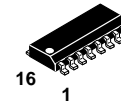
MC145074

Product Preview

Stereo Audio Sigma-Delta Digital-to-Analog Converter CMOS

The MC145074 is a high precision, Stereo Audio Digital-to-Analog Converter that utilizes second order sigma-delta modulators with 2-tap FIR feedback architecture. The part can be used as a stand alone stereo digital modulator, or as a companion part to the MC145076 smoothing filter to achieve high quality, low cost audio performance.

- Peak S/(N+D) > 100 dB
- Single 5 V Supply Operation
- Accepts 16, 18, or 20-Bit Data Words
- Dual/Single Pin Data Input Modes
- Programmable WCLK Divider
- Operating Temperature Range: - 40 to + 85°C
- Low Power Consumption: 40 mW Typical
- Companion to MC145076 Stereo Audio FIR Smoothing Filter

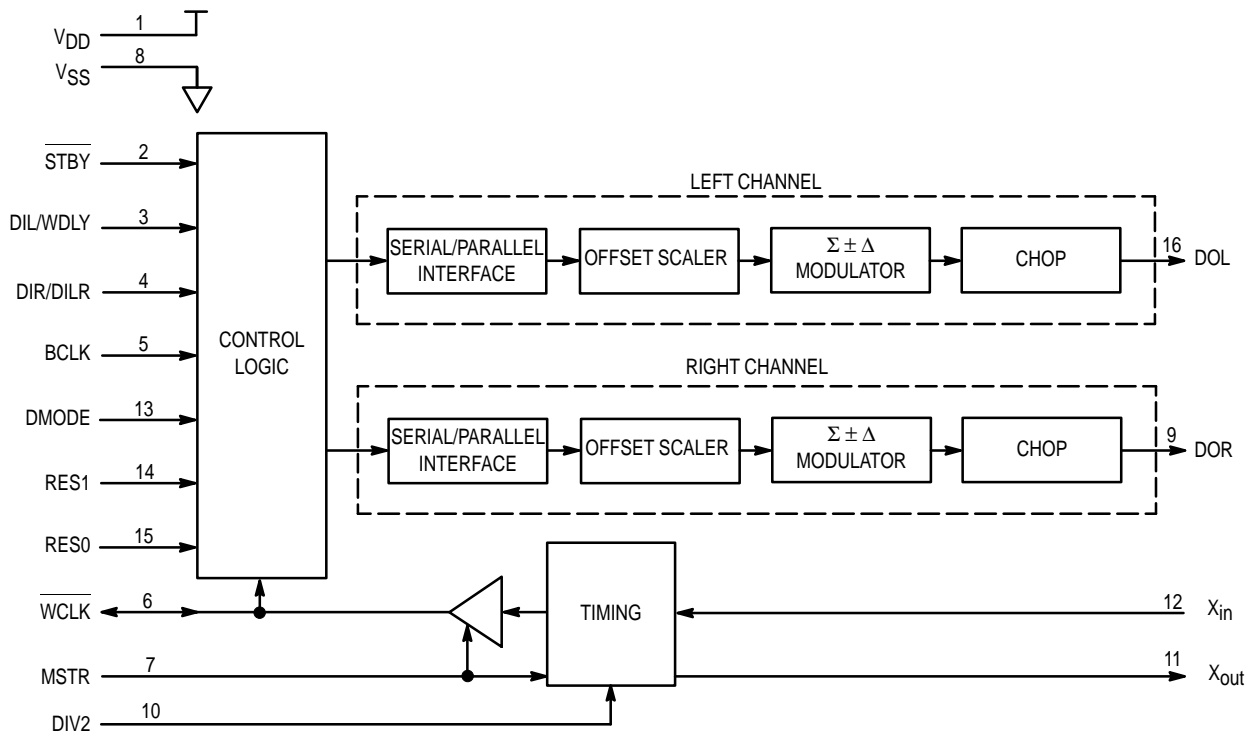


D SUFFIX
16 PIN SOIC
CASE 751B-05

ORDERING INFORMATION
MC145074D SOIC Package

PIN ASSIGNMENT

V _{DD}	1	16	DOL
STBY	2	15	RES0
DIL/WDLY	3	14	RES1
DIR/DILR	4	13	DMODE
BCLK	5	12	X _{in}
WCLK	6	11	X _{out}
MSTR	7	10	DIV2
V _{SS}	8	9	DOR



This document contains information on a product under development. Motorola reserves the right to change or discontinue this product without notice.

MAXIMUM RATINGS* (Voltages Referenced to V_{SS})

Symbol	Parameter	Value	Unit
V_{DD}	DC Supply Voltage	6.0	V
V_{in}	DC Input Voltage, Any Digital Input	$V_{SS} - 0.5$ to $V_{DD} + 0.5$	V
I_{in}	DC Input Current, per Pin	± 10	mA
T_{stg}	Storage Temperature	- 55 to 150	$^{\circ}\text{C}$
T_L	Lead Temperature, 1 mm from Case for 10 Seconds	260	$^{\circ}\text{C}$

* Maximum Ratings are those values beyond which damage to the device may occur. Functional operation should be restricted to the Operation Ranges below.

This device contains protection circuitry to guard against damage due to high static voltages or electric fields. However, precautions must be taken to avoid applications of any voltage higher than maximum rated voltages to this high-impedance circuit. For proper operation, V_{in} and V_{out} should be constrained to the range $V_{SS} \leq (V_{in} \text{ or } V_{out}) \leq V_{DD}$.

Unused inputs must always be tied to an appropriate logic voltage level (e.g., either V_{SS} or V_{DD}). Unused outputs must be left open.

OPERATION RANGES (Applicable to Guaranteed Limits)

Symbol	Parameter	Value	Unit
V_{DD}	DC Supply Voltage, Referenced to V_{SS}	4.5 to 5.5	V
V_{in}, V_{out}	Digital Input/Output Voltage	$V_{SS} - 0.5$ to $V_{DD} + 0.5$	V
I_D	Input Pin Current Drain	1	μA
T_A	Operating Temperature	- 40 to + 85	$^{\circ}\text{C}$

DC ELECTRICAL CHARACTERISTICS

(Voltages Referenced to V_{SS} , Full Temperature and Voltage Ranges per Operation Ranges table, unless otherwise indicated)

Symbol	Parameter	Min	Typ	Max	Unit
I_{dd}	Power Supply Current	—	—	10	mA
V_{IL} V_{IH}	Input Voltage Low Level Input High Level Input	— $V_{DD} \times 0.7$	— —	$V_{DD} \times 0.3$ —	V
V_{OL} V_{OH}	Output Voltage Low Level Output (Load = 0.4 mA) High Level Output (Load = 0.4 mA)	— $V_{DD} - 0.3$	— —	0.3 —	V
I_{lkg}	Input Leakage Current	—	—	± 10	μA

AC ELECTRICAL CHARACTERISTICS

(Full Temperature and Voltage Ranges per Operation Ranges Table at 50 pf Loads on Outputs)

Symbol	Parameter	Figure	Guaranteed Limit	Unit
	Operating Frequency X_{in} (DIV2 = 0) (DIV2 = 1)		18.5 37.0	MHz
	Bit Clock Frequency		18.5	MHz
t_r, t_f	Maximum Rise and Fall Times (BCKL, WCLK)	2, 5	6	ns
t_{PLH} t_{TLH}	X_{out} L–H Propagation Delay X_{out} Rise Time	2	30 15	ns
t_{PHL} t_{THL}	X_{out} H–L Propagation Delay X_{out} Fall Time	2	30 15	ns
t_{PLH} t_{TLH}	DOL, DOR L–H Propagation Delays DOL, DOR Rise Time	3	15 5	ns
t_{PHL} t_{THL}	DOL, DOR H–L Propagation Delays DOL, DOR Fall Time	3	15 5	ns
t_{PLH} t_{TLH}	<u>WCLK</u> Output L–H Propagation Delay WCLK Output Rise Time	4	15 5	ns
t_{PHL} t_{THL}	<u>WCLK</u> Output H–L Propagation Delay WCLK Output Fall Time	4	15 5	ns
t_{su} t_h	DIR Master Program Mode Minimum Setup Time DIR Master Program Mode Minimum Hold Time	5	5 5	ns
t_{su} t_h	DIR, DIL Minimum Setup Time DIR, DIL Minimum Hold Time	5	5 5	ns
t_{su} t_h	<u>WCLK</u> Minimum Setup Time to BCLK (not DMODE = WDLY = 1) WCLK Minimum Hold Time to BCLK (not DMODE = WDLY = 1)	6	5 5	ns
t_{su} t_h	<u>WCLK</u> Minimum Setup Time to X_{in} (not DMODE = WDLY = 1) WCLK Minimum Hold Time to X_{in} (not DMODE = WDLY = 1)	6	5 5	ns
t_{su} t_h	<u>WCLK</u> Minimum Setup Time to BCLK (DMODE = WDLY = 1) WCLK Minimum Hold Time to BCLK (DMODE = WDLY = 1)	7	5 5	ns
t_{LAG} t_{LEAD}	BCLK to X_{in} (1st Edge Only) Lag Time (DMODE = WDLY = 1) BCLK to X_{in} (1st Edge Only) Lead Time (DMODE = WDLY = 1)	7	5 5	ns

SWITCHING WAVEFORMS

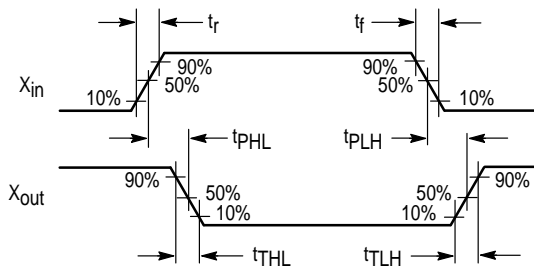


Figure 1. X_{out} Propagation Delay Timing

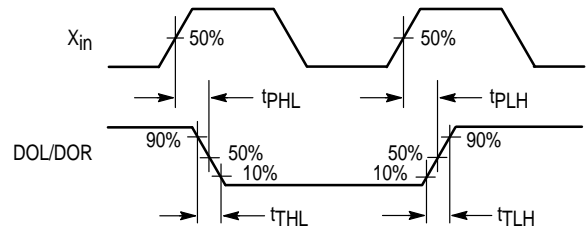


Figure 2. DOL/DOR Propagation Delay Timing

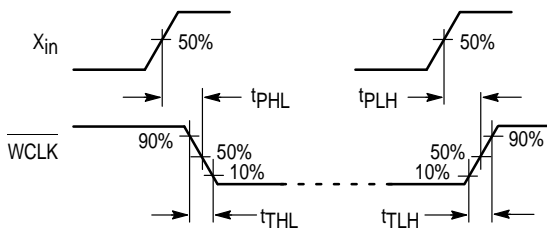


Figure 3. WCLK Out Propagation Delay Timing (Master Mode)

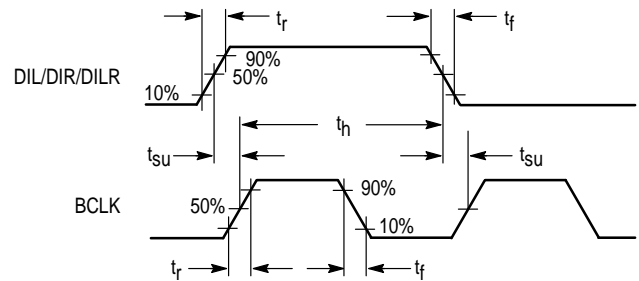


Figure 4. DIL/DIR/DILR Setup and Hold Timing

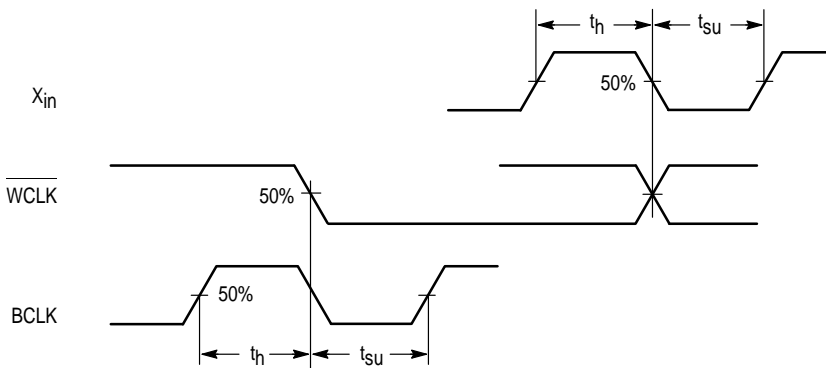


Figure 5. WCLK Timing (All Modes Except DMODE = 1, WDLY = 1)

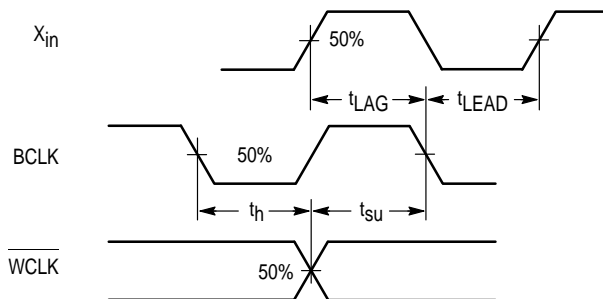


Figure 6. WCLK Timing (DMODE = 1, WDLY = 1)

OSR	Bits	16	18	20
	S/(N+D) dB	S/(N+D) dB	S/(N+D) dB	S/(N+D) dB
128x	90	90	90	
192x	94	98	99	
256x	95	103	105	
384x	96	107	113	

NOTE: Values are for 0 dB input signal, 0 – 20 kHz BW, and 44.1 kHz 1x fs Sampling Rate.

Figure 7. Digital S/(N+D) Performance Levels

PIN DESCRIPTIONS

VDD

Positive Device Supply (Pin 1)

VDD is the positive supply, nominally + 5 volts.

STBY

Active–Low Standby Input (Pin 2)

A low level on the STBY pin will force the device into a standby state. If the device is being operated in the master mode (MSTR = 1), the WCLK internal divider can be programmed using the DIR/DILR, and BCLK pins while the STBY pin is active. When the device is in standby, the DOL and DOR pins will output a 50% duty cycle data stream that will generate a 1/2 scale analog output, when averaged through the output filter.

DIL/WDLY

Left Channel Data/Word Clock Delay Input (Pin 3)

When the DMODE pin is low, this pin is the left channel (MSB first) 2's complement serial data input. When the DMODE pin is high, this pin controls the WCLK delay. A high level on this pin will delay the WCLK an additional clock cycle internal to the device.

DIR/DILR

Right Channel Data/Multiplexed Left – Right Data Input (Pin 4)

When the DMODE pin is low, this pin is the right channel (MSB first) 2's complement serial data input. When the DMODE pin is high, this pin is the multiplexed left then right channel data input. If the part is being operated in the master mode (MSTR = 1), the WCLK internal divider can be programmed by clocking control word data onto this pin with the BCLK pin while the device is in the standby mode (STBY = 0).

BCLK

Bit Clock Input (Pin 5)

The BCLK pin provides the serial bit shift clock for the left and right channel data in all modes of operation. A rising edge on the BCLK pin shifts serial data into the device.

WCLK

Word Clock Output/Input (Pin 6)

The WCLK pin is used to latch the shifted serial data word into the device. The MC145074 can accept an external word clock when in the slave mode, or can use an internally generated word clock when operating in the master mode. When DMODE is low, left and right channel data is latched into the device on the falling edge of WCLK. When DMODE is high, left channel data is latched on the rising edge of WCLK and right channel data is latched on the falling edge of WCLK with both channel inputs being input to the modulator on the next rising edge of WCLK. The internal divide ratio used to generate WCLK, as well as the rising or falling edge latching of the input data can be programmed using the DIR/DILR and BCLK pins while the device is in the standby mode.

MSTR

Active–High Master Mode Select Input (Pin 7)

A high level on the MSTR pin will select the master mode of operation. In the master mode, the MC145074 will generate and output a word clock signal on the WCLK pin. A low level on the MSTR pin will place the MC145074 in the slave mode, and the WCLK signal must be provided by an external source. The default master mode divide rate is MODCLK/64.

VSS

Device Ground (Pin 8)

VSS is normally connected to ground.

DOR

Right Channel Data Output (Pin 9)

DOR is the right channel modulator data output.

DIV2

Master Clock Divide Control Input (Pin 10)

DIV2 is the X_{in} divide by two control pin. When cleared, the X_{in} pin directly provides the modulator clock (MODCLK), and the data output bit streams are not chopped. When this pin is set, the X_{in} clock is divided by two to provide the modulator clock and the output data bit stream is chopped at the X_{in} frequency using an alternating 1,0 chop. The chop is used to reduce even order distortion for a stand-alone application without the MC145076. The reconstructed output signal will drop 6dB due to the chopping.

X_{out}

Master Clock Output (Pin 11)

X_{out} is the inverted output signal of X_{in} and may be used for a buffered clock output or for a crystal oscillator.

X_{in}

Master Clock Input (Pin 12)

X_{in} is the input clock pin for the MC145074, and may be used with X_{out} as the inverter for a crystal oscillator.

DMODE

Data Mode Input (Pin 13)

A low level on the DMODE pin will select the dual data pin mode of operation. In this mode, the serial input data is entered on the DIR and DIL pins. A high level on the DMODE pin selects the multiplexed mode of operation. In this mode, the left and right channel serial input data must be multiplexed on the DIR/DILR pin.

RES0 and RES1

Input Data Resolution Pins (Pins 14, 15)

The RES0 and RES1 pins select the length of the serial data word input to the MC145074. The serial input data can be 16, 18, or 20–bits in length with the most significant bits clocked in first. Figure 9 lists the serial interface formats.

DOL

Left Channel Data Output (Pin 16)

DOL is the left channel modulator data output.

DMODE	RES1	RES0	Operating Mode
0	0	0	Dual Data Pin 16–Bit Input
0	0	1	Dual Data Pin 18–Bit Input
0	1	0	Dual Data Pin 20–Bit Input
0	1	1	Factory Test Mode
1	0	0	Single Data Pin 16–Bit Input
1	0	1	Single Data Pin 18–Bit Input
1	1	0	Single Data Pin 20–Bit Input
1	1	1	Factory Test Mode

Figure 8. Serial Interface Formats

FUNCTIONAL DESCRIPTION

The MC145074 is a high precision Stereo Audio Digital-to-Analog Converter, which utilizes a second-order sigma-delta modulator with a patented 2-tap architecture that significantly reduces problems normally associated with one-bit sigma-delta technology. Normally, a second order modulator can develop patterns in the digital output representation of small signals and with small DC input offsets. It is common to add dither to mask these effects, but a reduction of dynamic range can result. The implementation used in the MC145074 has considerable immunity to these troublesome inputs, and without performance compromise.

With RC filtering, the MC145074 can be used as a stand-alone stereo digital modulator for applications with modest requirements. High performance can be realized with the companion MC145076 Stereo Audio FIR Smoothing Filter, which reduces the in-band IM products formed by large amplitude spectral components of the out-of-band noise shaping, clock corruption, and power supply noise.

The MC145074 has been designed for maximum flexibility and is well suited for high fidelity audio and multimedia applications. If used in conjunction with a differential MC145076 smoothing filter, a peak S/(N+D) ratio of > 100 dB can be achieved by utilizing 18 or 20-bit input data and a 256x oversampling ratio. The MC145074 has a maximum operating frequency of 18.5 MHz, and can be used with any sampling rate including 32, 44.1, or 48 kHz.

The MC145074 can accept a 1x, or a 2x input clock with serial data output chop. The device can accept 16, 18, or 20-bit digital data in a dual data pin input format, or single pin multiplexed format. An offset scaler is included to allow 0 dB digital inputs while maintaining low distortion. The offset, scaled data is applied to the D/A modulator before being optionally chopped (2x mode), and sent to an external smoothing filter. When this device is used with the MC145076, dividing the clock down or using the chop mode is not necessary.

TIMING CIRCUIT

The internal timing circuits of the MC145074 are driven by the X_{IN} clock. When the DIV2 pin is active high, the MC145074 divides the X_{IN} clock by two to generate the internal modulator clock (MODCLK), and uses the X_{IN} clock frequency to chop the output data using a 50% chop signal. When the MC145074 is operated in the master mode, the WCLK pin is configured as an output. The WCLK output is generated by dividing down the modulator clock. The divide

ratio of the internal frequency divider can be programmed utilizing a 5-bit control word while the MC145074 is in the standby mode. The 5-bit control word is defined as the last 5-bits (MSB first) that are clocked into the DIR/DILR pin using the BCLK signal. When cleared, the most significant bit of the control word indicates that the WCLK signal is negative edge triggered (just as in the slave mode). If the most significant bit is set, the WCLK is positive edge triggered. The next three most significant or middle three bits of the control word determine the value of the divide ratio of the internal frequency divider. The least significant bit of the 5-bit control word indicates a prescaler divide by two when cleared, and divide by three when set. The divider modes are summarized in Figure 10.

NOTE

The default mode of operation is control word \$06 which provides a WCLK signal (negative edge triggered) at a frequency of 1/64 the modulator clock frequency. This is the preferred operating mode of 256x OSR and 4x FIR.

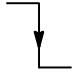

Control Word Value (Hex)	Divide Ratio	WCLK Edge	Control Word Value (Hex)	Divide Ratio	WCLK Edge
0	8		10	8	
1	12		11	12	
2	16		12	16	
3	24		13	24	
4	32		14	32	
5	48		15	48	
6	64		16	64	
7	96		17	96	
8	128		18	128	
9	192		19	192	
A	256		1A	256	
B	384		1B	384	
C	512		1C	512	
D	768		1D	768	
E	1024		1E	1024	
F	1536		1F	1536	

Figure 9. WCLK Divider Modes

OFFSET SCALER

Second order sigma-delta modulators typically give up about 2 dB of dynamic range and an adjustment to the digital input words must be made if full scale digital input word recognition is desired. The offset scaler circuitry of the MC145074 digitally attenuates the input linearly to 3/4 or approximately -2.5 dB. Figure 11 illustrates the function of the offset scaler block. An ideal DAC would perform as shown in curve one, but the sigma-delta modulator actually operates as shown in curve two. The digital input words to the MC145074 are attenuated to 3/4. This allows the MC145074 to operate on all 2's complement digital inputs from \$80000 to \$7FFFF, with the resulting response shown in curve three. In addition to scaling the digital input word, the offset scaler adds a digital dc offset of 1/8th to re-center the digital input word so that the MC145074 output signal is centered around $V_{DD}/2$.

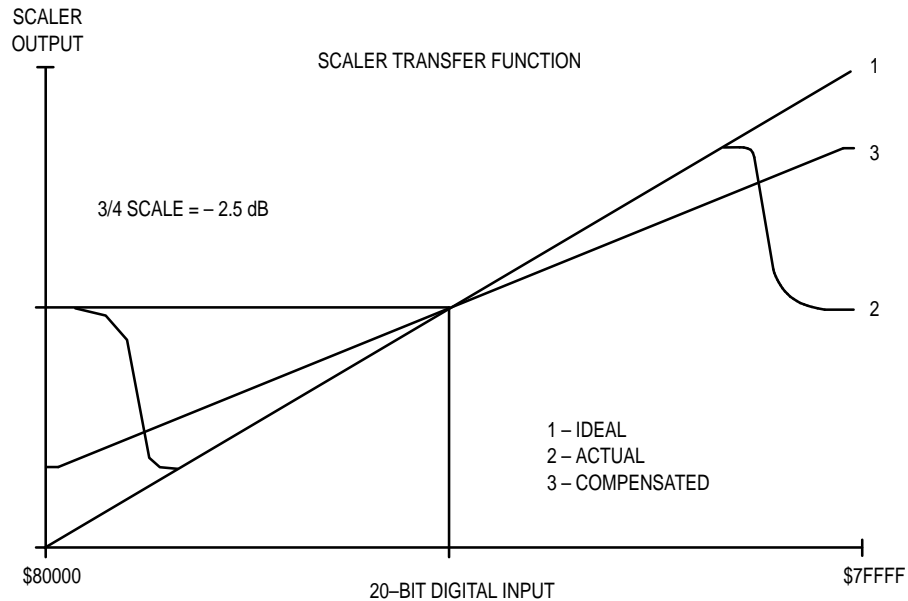


Figure 10. Offset Scaler Operation

SERIAL INTERFACE AND CONTROL LOGIC

The serial interface and control logic of the MC145074 may be configured to accept 16, 18, or 20-bit data words by applying the appropriate logic levels to the RES1 and RES0 pins. The DMODE input pin configures the serial interface to accept 2's complement data (MSB first) in a dual data pin or single pin, multiplexed input format. It should be noted that in some cases when using the single data pin input mode and a large OSR, the BCLK rate may be too high for some DSPs, unless an interface circuit is added. Figure 9 shows the available serial interface formats of the MC145074.

When operating in a dual data pin mode, 2's complement data words are serially input from the DIR and DIL pins as shown in Figure 12. A rising edge on BCLK serially shifts in the data present on the DIR and DIL inputs. After all data bits of an input word are shifted in, a falling edge on WCLK

latches the data word into the MC145074. The BCLK can be a continuous clock as long as the serial input data word is right justified in the word time, or as long as there exists one and only one BCLK cycle for every data bit input to the device.

When operating in a single pin multiplexed mode, the DIR input pin is reconfigured as the DILR pin. Left and right channel serial input data is multiplexed into the MC145074 on the DILR pin, and is serially shifted into the part using BCLK as shown in Figure 13. When WDLY is low, left channel data is latched into the part on the rising edge of WCLK, and right channel data is latched on the falling edge of WCLK. As in the dual data pin mode, the BCLK can be either an asynchronous or continuous clock as long as the serial input data word is right justified in the word time. Forcing WDLY high allows the WCLK cycle to appear one clock cycle early as shown in Figure 14.

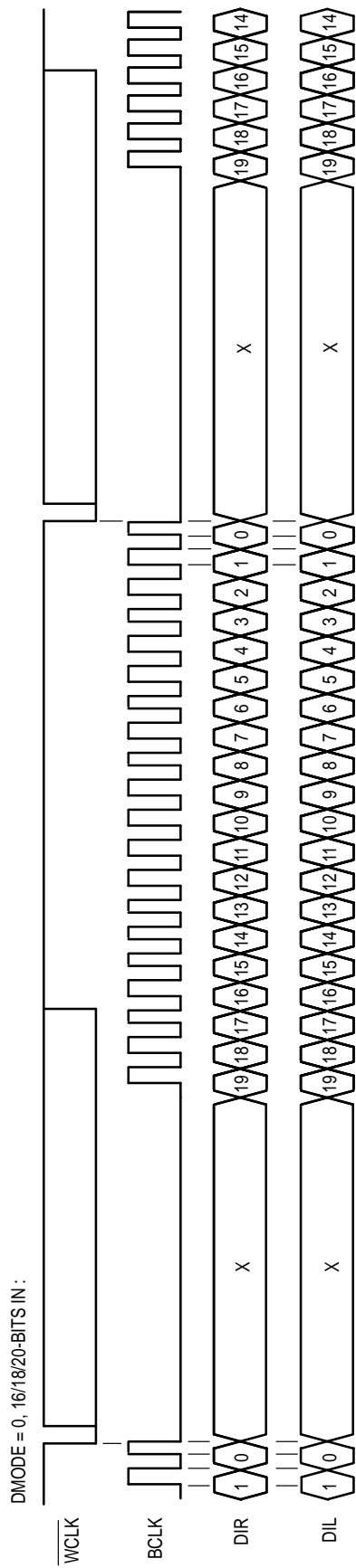


Figure 11. DMODE = 0 Serial Interface Timing Diagram

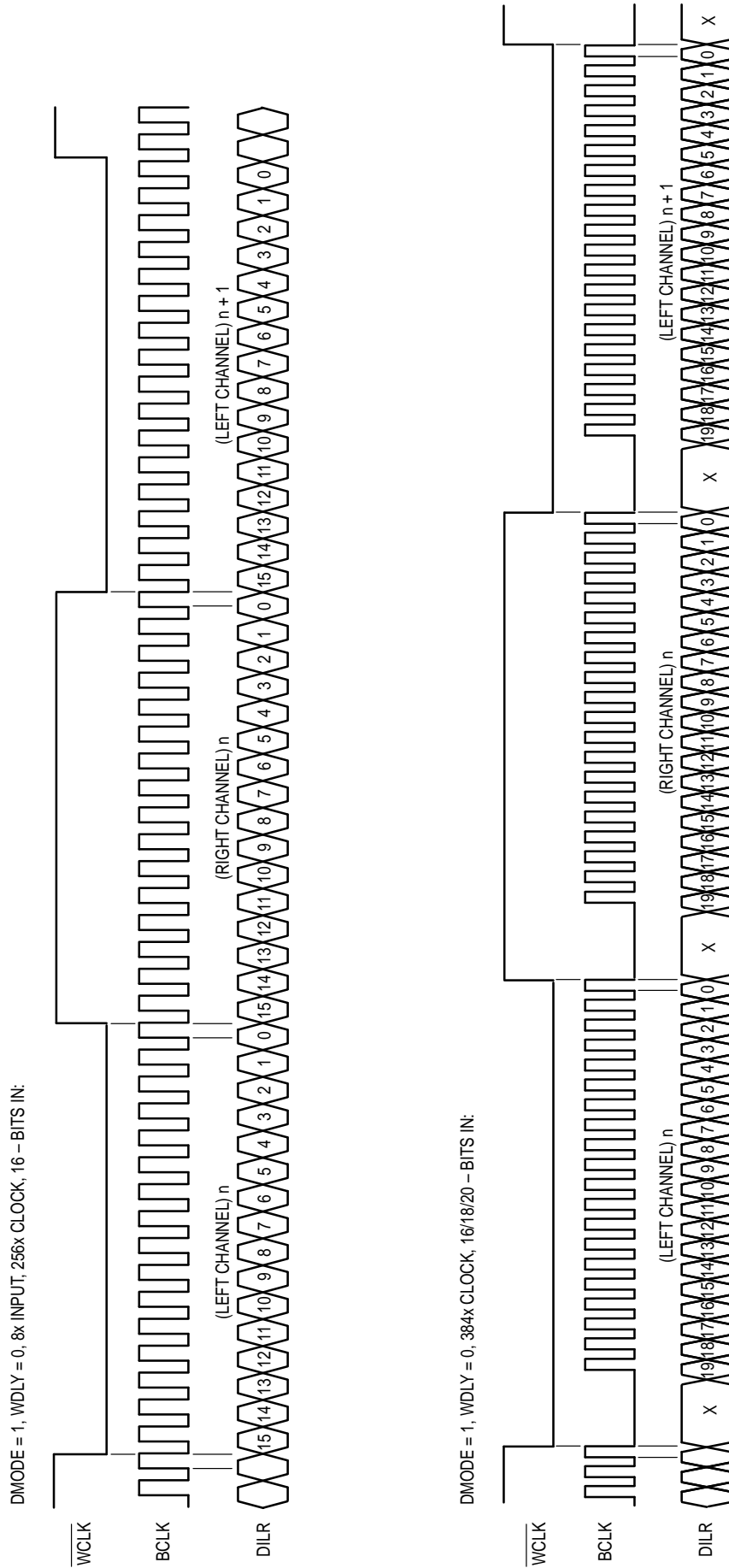


Figure 12. DMODE = 1, WDLY = 0, Serial Interface Timing Diagram

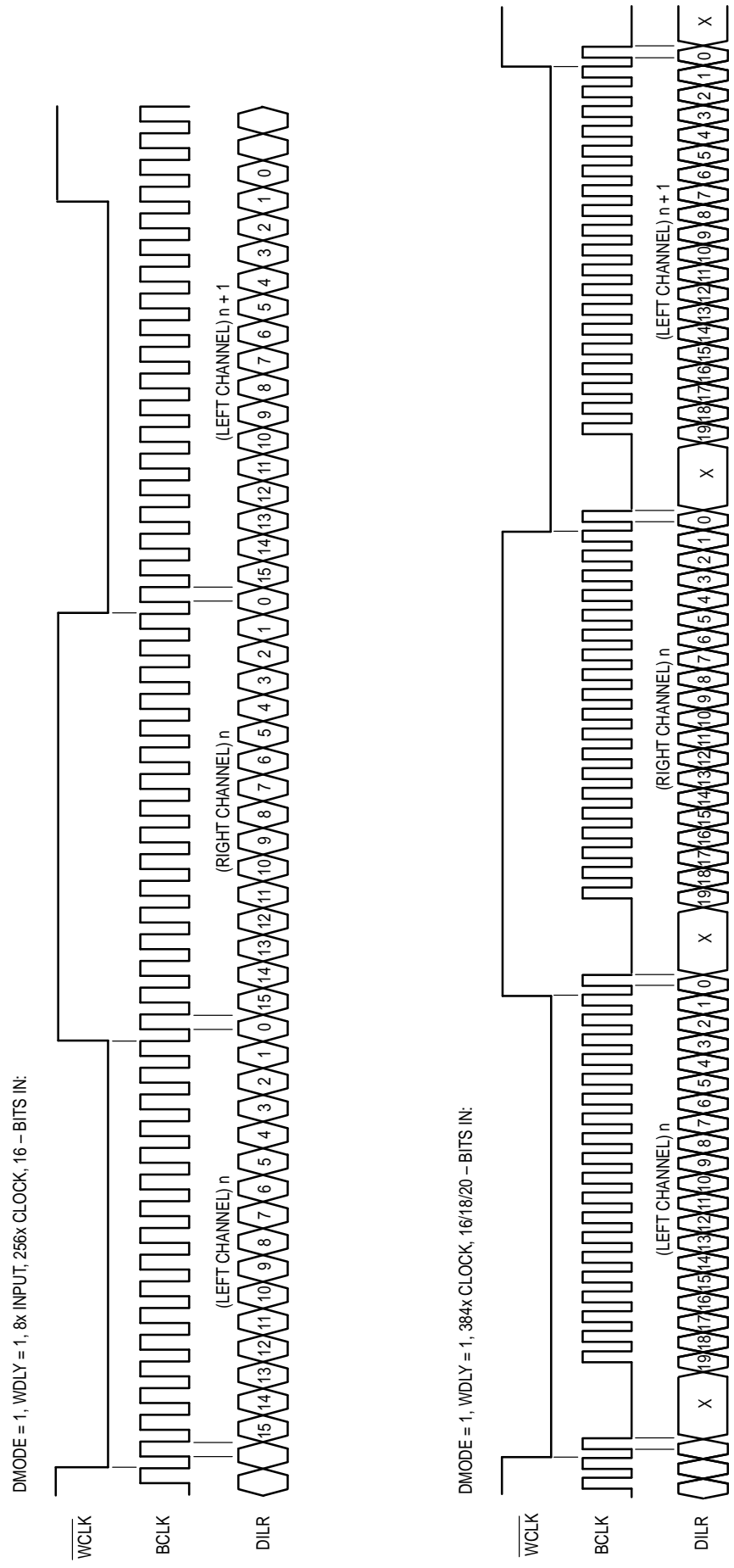


Figure 13. DMODE = 1, WDLY = 1, Serial Interface Timing Diagram

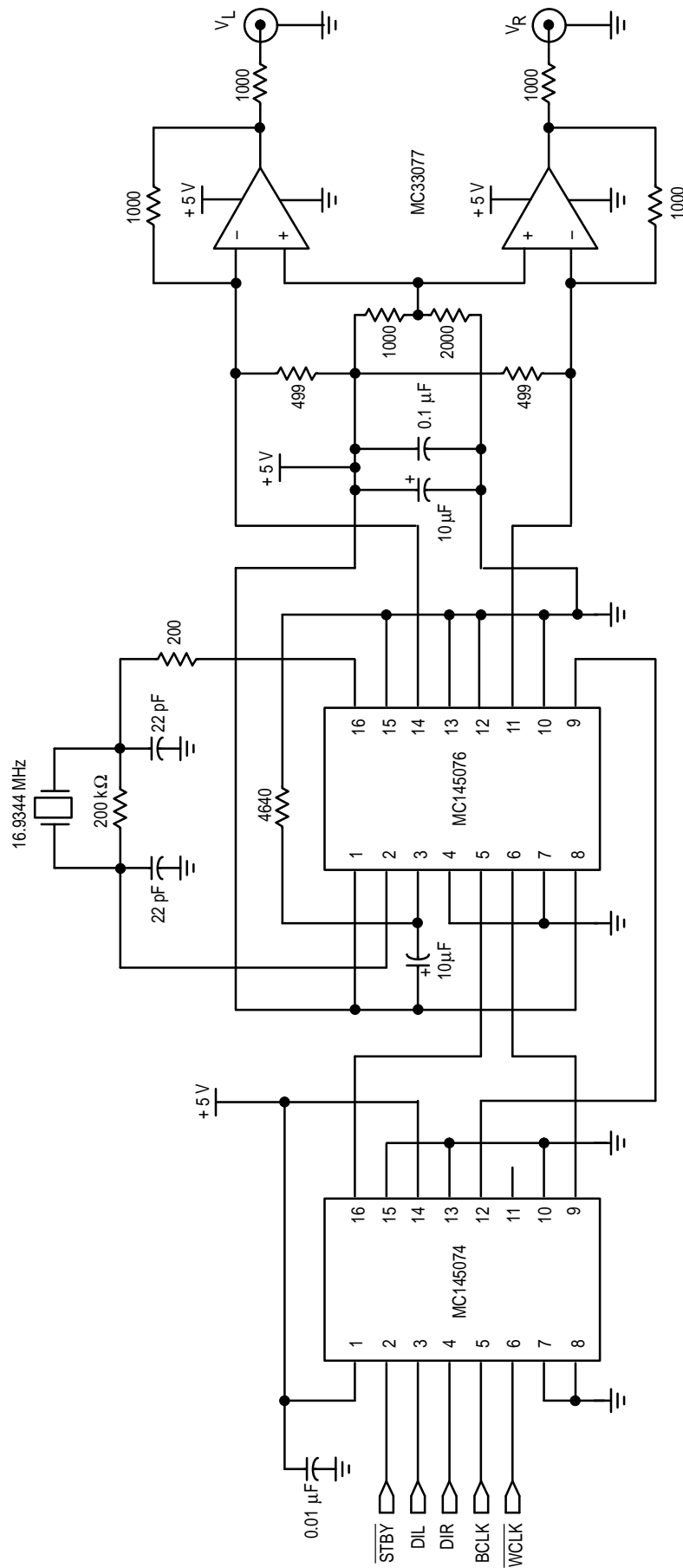
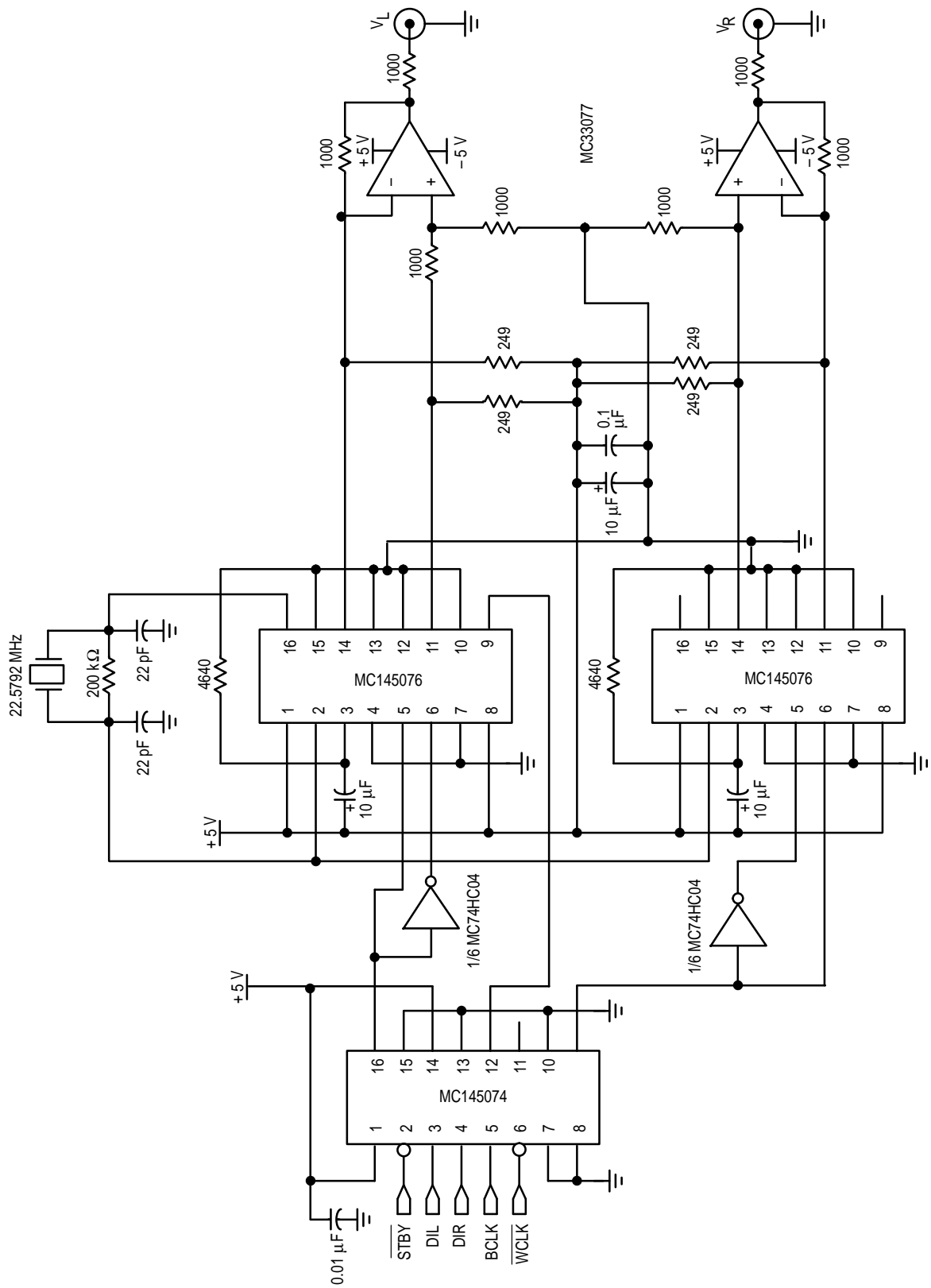


Figure 14. Low Cost + 5 V Stereo Audio System, Typically 88 dB S/(N+D)

* ALL RESISTORS 1%



* ALL RESISTORS 1%

Figure 15. Mid Performance Stereo Audio System, Typically 98 dB S/(N+D)

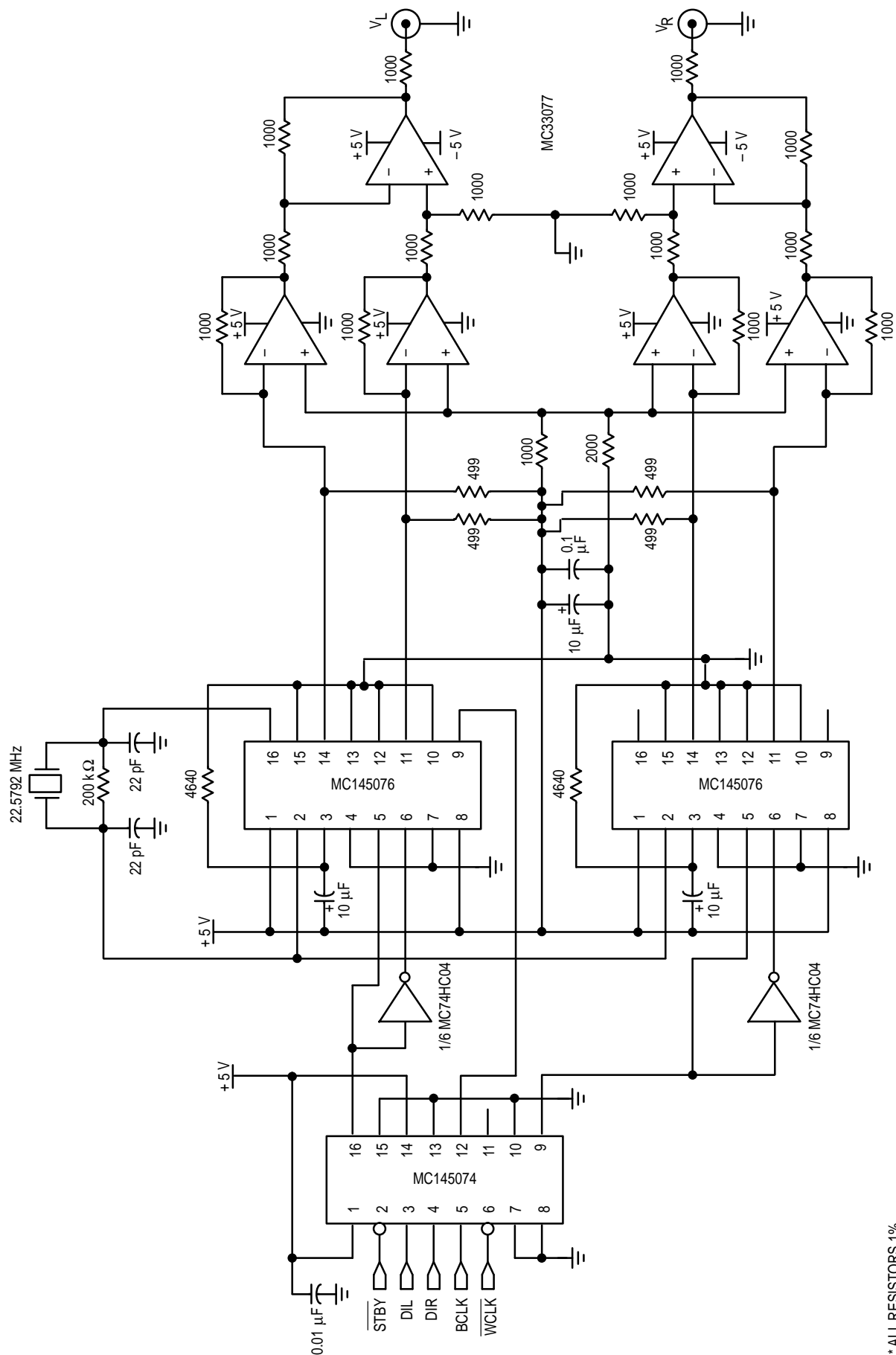
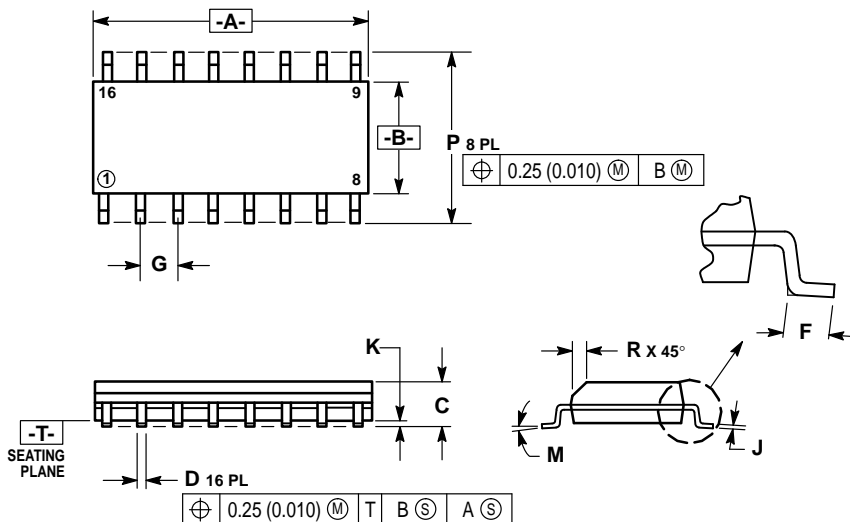


Figure 16. High Performance Stereo Audio System, Typically 105 dB S/(N+D)

* ALL RESISTORS 1%

PACKAGE DIMENSIONS

SOIC PACKAGE CASE 751B-05



NOTES:

1. DIMENSIONING AND TOLERANCING PER ANSI Y14.5M, 1982.
2. CONTROLLING DIMENSION: MILLIMETER.
3. DIMENSIONS A AND B DO NOT INCLUDE MOLD PROTRUSION.
4. MAXIMUM MOLD PROTRUSION 0.15 (0.006) PER SIDE.
5. DIMENSION D DOES NOT INCLUDE DAMBAR PROTRUSION. ALLOWABLE DAMBAR PROTRUSION SHALL BE 0.127 (0.005) TOTAL IN EXCESS OF THE D DIMENSION AT MAXIMUM MATERIAL CONDITION.

DIM	MILLIMETERS		INCHES	
	MIN	MAX	MIN	MAX
A	9.80	10.00	0.386	0.393
B	3.80	4.00	0.150	0.157
C	1.35	1.75	0.054	0.068
D	0.35	0.49	0.014	0.019
F	0.40	1.25	0.016	0.049
G	1.27 BSC		0.050 BSC	
J	0.19	0.25	0.008	0.009
K	0.10	0.25	0.004	0.009
M	0°	7°	0°	7°
P	5.80	6.20	0.229	0.244
R	0.25	0.50	0.010	0.019

Motorola reserves the right to make changes without further notice to any products herein. Motorola makes no warranty, representation or guarantee regarding the suitability of its products for any particular purpose, nor does Motorola assume any liability arising out of the application or use of any product or circuit, and specifically disclaims any and all liability, including without limitation consequential or incidental damages. "Typical" parameters which may be provided in Motorola data sheets and/or specifications can and do vary in different applications and actual performance may vary over time. All operating parameters, including "Typicals" must be validated for each customer application by customer's technical experts. Motorola does not convey any license under its patent rights nor the rights of others. Motorola products are not designed, intended, or authorized for use as components in systems intended for surgical implant into the body, or other applications intended to support or sustain life, or for any other application in which the failure of the Motorola product could create a situation where personal injury or death may occur. Should Buyer purchase or use Motorola products for any such unintended or unauthorized application, Buyer shall indemnify and hold Motorola and its officers, employees, subsidiaries, affiliates, and distributors harmless against all claims, costs, damages, and expenses, and reasonable attorney fees arising out of, directly or indirectly, any claim of personal injury or death associated with such unintended or unauthorized use, even if such claim alleges that Motorola was negligent regarding the design or manufacture of the part. Motorola and are registered trademarks of Motorola, Inc. Motorola, Inc. is an Equal Opportunity/Affirmative Action Employer.

How to reach us:

USA/EUROPE/Locations Not Listed: Motorola Literature Distribution;
P.O. Box 20912; Phoenix, Arizona 85036. 1-800-441-2447 or 602-303-5454

JAPAN: Nippon Motorola Ltd.; Tatsumi-SPD-JLDC, 6F Seibu-Butsuryu-Center,
3-14-2 Tatsumi Koto-Ku, Tokyo 135, Japan. 03-81-3521-8315

MFAX: RMFAX0@email.sps.mot.com - TOUCHTONE 602-244-6609
INTERNET: http://Design-NET.com

ASIA/PACIFIC: Motorola Semiconductors H.K. Ltd.; 8B Tai Ping Industrial Park,
51 Ting Kok Road, Tai Po, N.T., Hong Kong. 852-26629298



MC145074/D

