

DATA SHEET

74HC2G14; 74HCT2G14 Inverting Schmitt-triggers

Preliminary specification

2003 May 1

Inverting Schmitt-triggers

74HC2G14; 74HCT2G14

FEATURES

- Wide supply voltage range from 2.0 to 6.0 V
- High noise immunity
- Low power dissipation
- Balanced propagation delays
- Unlimited input rise and fall times
- Very small 6 pins package.

APPLICATIONS

- Wave and pulse shapers for highly noisy environments
- Astable multivibrators

QUICK REFERENCE DATA

GND = 0 V; $T_{amb} = 25\text{ }^{\circ}\text{C}$; $t_r = t_f \leq 6.0\text{ ns}$.

SYMBOL	PARAMETER	CONDITIONS	TYPICAL		UNIT
			HC2G	HCT2G	
t_{PHL}/t_{PLH}	propagation delay nA to nY	$C_L = 50\text{ pF}$; $V_{CC} = 4.5\text{ V}$	16	21	ns
C_I	input capacitance		2	2	pF
C_{PD}	power dissipation capacitance	notes 1 and 2	10	10	pF

Notes

1. C_{PD} is used to determine the dynamic power dissipation (P_D in μW).

$P_D = C_{PD} \times V_{CC}^2 \times f_i \times N + \sum (C_L \times V_{CC}^2 \times f_o)$ where:

f_i = input frequency in MHz; f_o = output frequency in MHz;

C_L = output load capacitance in pF;

V_{CC} = supply voltage in Volts;

N = total switching outputs;

$\sum (C_L \times V_{CC}^2 \times f_o)$ = sum of outputs.

2. For HC2G the condition is $V_I = \text{GND to } V_{CC}$.

For HCT2G the condition is $V_I = \text{GND to } V_{CC} - 1.5\text{ V}$.

FUNCTION TABLE

See note 1.

INPUTS	OUTPUTS
nA	nY
L	H
H	L

Note

1. H = HIGH voltage level;
L = LOW voltage level.

- Monostable multivibrators
- Output capability: standard.

DESCRIPTION

The 74HC2G/HCT2G14 is a high-speed Si-gate CMOS device.

The 74HC2G/HCT2G14 provides two inverting buffers with Schmitt-trigger action. This device is capable of transforming slowly changing input signals into sharply defined, jitter-free output signals.

Inverting Schmitt-triggers

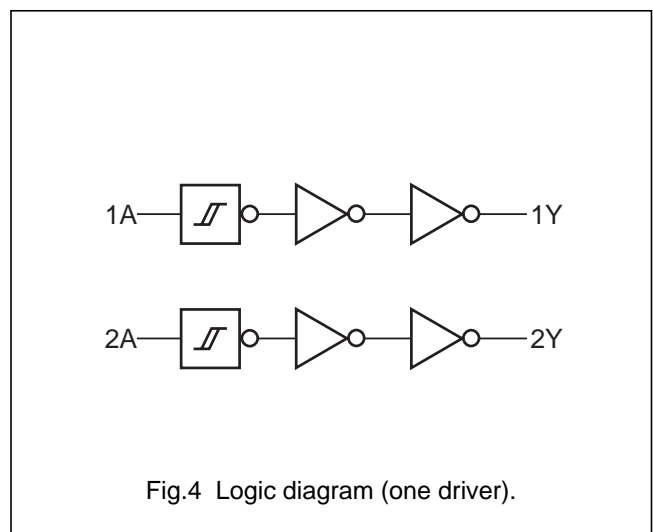
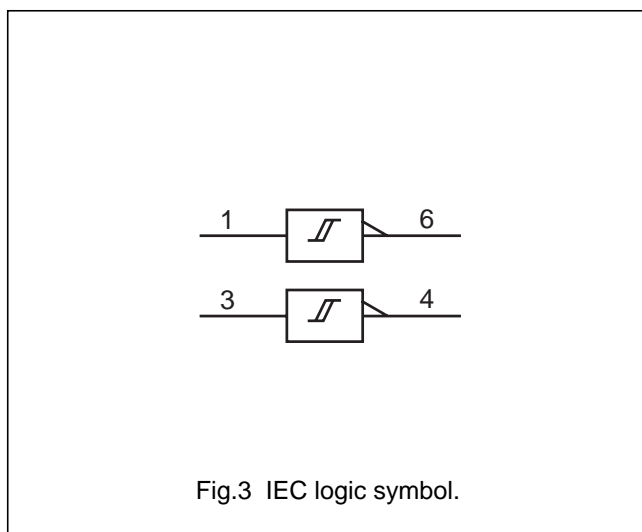
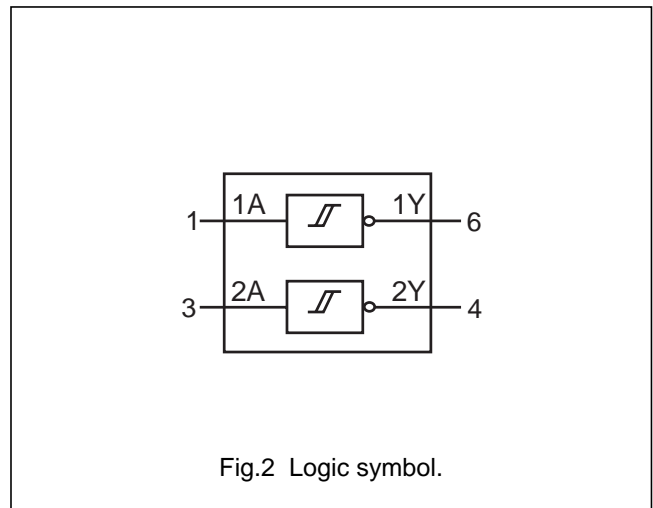
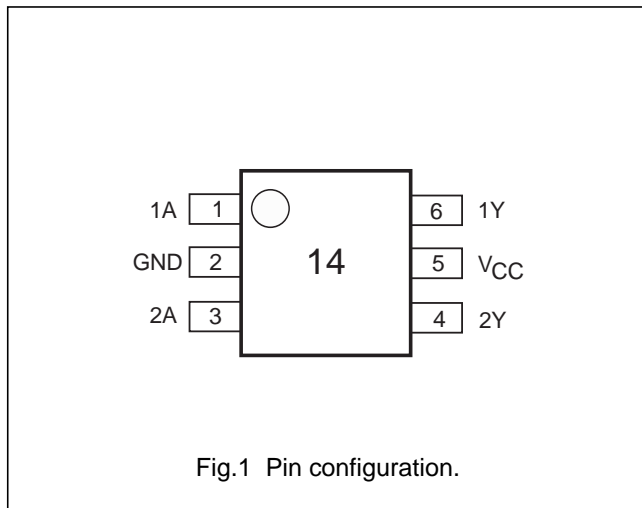
74HC2G14; 74HCT2G14

ORDERING INFORMATION

TYPE NUMBER	PACKAGES					
	TEMPERATURE RANGE	PINS	PACKAGE	MATERIAL	CODE	MARKING
74HC2G14GW	-40 to +125 °C	6	SC-88	plastic	SOT363	HK
74HC2G14GV	-40 to +125 °C	6	SC-74	plastic	SOT457	H14
74HCT2G14GW	-40 to +125 °C	6	SC-88	plastic	SOT363	TK
74HCT2G14GV	-40 to +125 °C	6	SC-74	plastic	SOT457	T14

PINNING

PIN	SYMBOL	DESCRIPTION
1, 3	1A to 2A	data input
2	GND	ground (0 V)
4, 6	2Y to 1Y	data output
8	V _{CC}	DC supply voltage



Inverting Schmitt-triggers

74HC2G14; 74HCT2G14

RECOMMENDED OPERATING CONDITIONS

SYMBOL	PARAMETER	CONDITIONS	74HC2G14			74HCT2G14			UNIT
			MIN.	TYP.	MAX.	MIN.	TYP.	MAX.	
V_{CC}	supply voltage		2.0	5.0	6.0	4.5	5.0	5.5	V
V_I	input voltage		0	–	V_{CC}	0	–	V_{CC}	V
V_O	output voltage		0	–	V_{CC}	0	–	V_{CC}	V
T_{amb}	operating ambient temperature	see DC and AC characteristics per device	–40	+25	+125	–40	+25	+125	°C

LIMITING VALUES

In accordance with the Absolute Maximum Rating System (IEC 60134); voltages are referenced to GND (ground = 0 V).

SYMBOL	PARAMETER	CONDITIONS	MIN.	MAX.	UNIT
V_{CC}	supply voltage		–0.5	+7.0	V
I_{IK}	input diode current	$V_I < -0.5$ V or $V_I > V_{CC} + 0.5$ V; note 1	–	±20	mA
I_{OK}	output diode current	$V_O < -0.5$ V or $V_O > V_{CC} + 0.5$ V; note 1	–	±20	mA
I_O	output source or sink current	-0.5 V < $V_O < V_{CC} + 0.5$ V; note 1	–	25	mA
I_{CC}	V_{CC} or GND current	note 1	–	50	mA
T_{stg}	storage temperature		–65	+150	°C
P_D	power dissipation per package	for temperature range from –40 to +125 °C; note 2	–	300	mW

Notes

1. The input and output voltage ratings may be exceeded if the input and output current ratings are observed.
2. Above 110 °C the value of P_D derates linearly with 8 mW/K.

Inverting Schmitt-triggers

74HC2G14; 74HCT2G14

DC CHARACTERISTICS

Type 74HC2G14

At recommended operating conditions; voltages are referenced to GND (ground = 0 V).

SYMBOL	PARAMETER	TEST CONDITIONS		T _{amb} (°C)						UNIT	
		OTHER	V _{CC} (V)	+25			-40 to +85		-40 to +125		
				MIN.	TYP. ⁽¹⁾	MAX.	MIN.	MAX.	MIN.		MAX.
V _{OH}	HIGH-level output voltage	V _I = V _{IH} or V _{IL} ; I _O = -20 μA	2.0	1.9	2.0	-	1.9	-	1.9	-	V
		V _I = V _{IH} or V _{IL} ; I _O = -20 μA	4.5	4.4	4.5	-	4.4	-	4.4	-	V
		V _I = V _{IH} or V _{IL} ; I _O = -20 μA	6.0	5.9	6.0	-	5.9	-	5.9	-	V
		V _I = V _{IH} or V _{IL} ; I _O = -4.0 mA	4.5	4.18	4.32	-	4.13	-	3.7	-	V
		V _I = V _{IH} or V _{IL} ; I _O = -5.2 mA	6.0	5.68	5.81	-	5.63	-	5.2	-	V
V _{OL}	LOW-level output voltage	V _I = V _{IH} or V _{IL} ; I _O = 20 μA	2.0	-	0	0.1	-	0.1	-	0.1	V
		V _I = V _{IH} or V _{IL} ; I _O = 20 μA	4.5	-	0	0.1	-	0.1	-	0.1	V
		V _I = V _{IH} or V _{IL} ; I _O = 20 μA	6.0	-	0	0.1	-	0.1	-	0.1	V
		V _I = V _{IH} or V _{IL} ; I _O = 4.0 mA	4.5	-	0.15	0.26	-	0.33	-	0.4	V
		V _I = V _{IH} or V _{IL} ; I _O = 5.2 mA	6.0	-	0.16	0.26	-	0.33	-	0.4	V
I _I	input leakage current	V _I = V _{CC} or GND	6.0	-	-	±0.1	-	±1.0	-	±1.0	μA
I _{CC}	quiescent supply current	V _I = V _{CC} or GND; I _O = 0	6.0	-	-	1.0	-	10	-	20	μA

Note

1. All typical values are measured at T_{amb} = 25 °C.

Inverting Schmitt-triggers

74HC2G14; 74HCT2G14

Type 74HCT2G14

At recommended operating conditions; voltages are referenced to GND (ground = 0 V).

SYMBOL	PARAMETER	TEST CONDITIONS		T _{amb} (°C)						UNIT	
		OTHER	V _{CC} (V)	+25			-40 to +85		-40 to +125		
				MIN.	TYP. ⁽¹⁾	MAX.	MIN.	MAX.	MIN.		MAX.
V _{OH}	HIGH-level output voltage	V _I = V _{IH} or V _{IL} ; I _O = -20 μA	4.5	4.4	4.5	–	4.4	–	4.4	–	V
		V _I = V _{IH} or V _{IL} ; I _O = -4.0 mA	4.5	4.18	4.32	–	4.13	–	3.7	–	V
V _{OL}	LOW-level output voltage	V _I = V _{IH} or V _{IL} ; I _O = 20 μA	4.5	–	0	0.1	–	0.1	–	0.1	V
		V _I = V _{IH} or V _{IL} ; I _O = 4.0 mA	4.5	–	0.15	0.26	–	0.33	–	0.4	V
I _I	input leakage current	V _I = V _{CC} or GND	5.5	–	–	±0.1	–	±1.0	–	±1.0	μA
I _{CC}	quiescent supply current	V _I = V _{CC} or GND; I _O = 0	5.5	–	–	1.0	–	10	–	20	μA
ΔI _{CC}	additional supply current per input	V _I = V _{CC} - 2.1 V; I _O = 0	4.5 to 5.5	–	–	300	–	375	–	410	μA

Note1. All typical values are measured at T_{amb} = 25 °C.

Inverting Schmitt-triggers

74HC2G14; 74HCT2G14

TRANSFER CHARACTERISTICS

Type 74HC2G14

Over recommended operating conditions; voltage are referenced to GND (ground = 0 V).

SYMBOL	PARAMETER	TEST CONDITIONS		T _{amb} (°C)						UNIT	
		WAVEFORMS	V _{CC} (V)	+25			-40 to +85		-40 to +125		
				MIN.	TYP. ⁽¹⁾	MAX.	MIN.	MAX.	MIN.		MAX.
V _{t+}	positive going threshold	see Figs. 5 and 6	2.0	1.0	1.18	1.5	1.0	1.5	1.0	1.5	V
			4.5	2.3	2.6	3.15	2.3	3.15	2.3	3.15	V
			6.0	3.0	3.46	4.2	3.0	4.2	3.0	4.2	V
V _{t-}	negative going threshold	see Figs. 5 and 6	2.0	0.3	0.6	0.9	0.3	0.9	0.3	0.9	V
			4.5	1.13	1.47	2.0	1.13	2.0	1.13	2.0	V
			6.0	1.5	2.06	2.6	1.5	2.6	1.5	2.6	V
V _h	hysteresis (V _{t+} - V _{t-})	see Figs. 5 and 6	2.0	0.3	0.6	1.0	0.3	1.0	0.3	1.0	V
			4.5	0.6	1.13	1.4	0.6	1.4	0.6	1.4	V
			6.0	0.8	1.40	1.7	0.8	1.7	0.8	1.7	V

Note

1. All typical values are measured at T_{amb} = 25 °C.

Type 74HCT2G14

Over recommended operating conditions; voltage are referenced to GND (ground = 0 V).

SYMBOL	PARAMETER	TEST CONDITIONS		T _{amb} (°C)						UNIT	
		OTHER	V _{CC} (V)	+25			-40 to +85		-40 to +125		
				MIN.	TYP. ⁽¹⁾	MAX.	MIN.	MAX.	MIN.		MAX.
V _{t+}	positive going threshold	see Figs. 5 and 6	4.5	1.2	1.58	1.9	1.2	1.9	1.2	1.9	V
			5.5	1.4	1.78	2.1	1.4	2.1	1.4	2.1	V
V _{t-}	negative going threshold	see Figs. 5 and 6	4.5	0.5	0.87	1.2	0.5	1.2	0.5	1.2	V
			5.5	0.6	1.11	1.4	0.6	1.4	0.6	1.4	V
V _h	hysteresis (V _{t+} - V _{t-})	see Figs. 5 and 6	4.5	0.4	0.71	–	0.4	–	0.4	–	V
			5.5	0.4	0.67	–	0.4	–	0.4	–	V

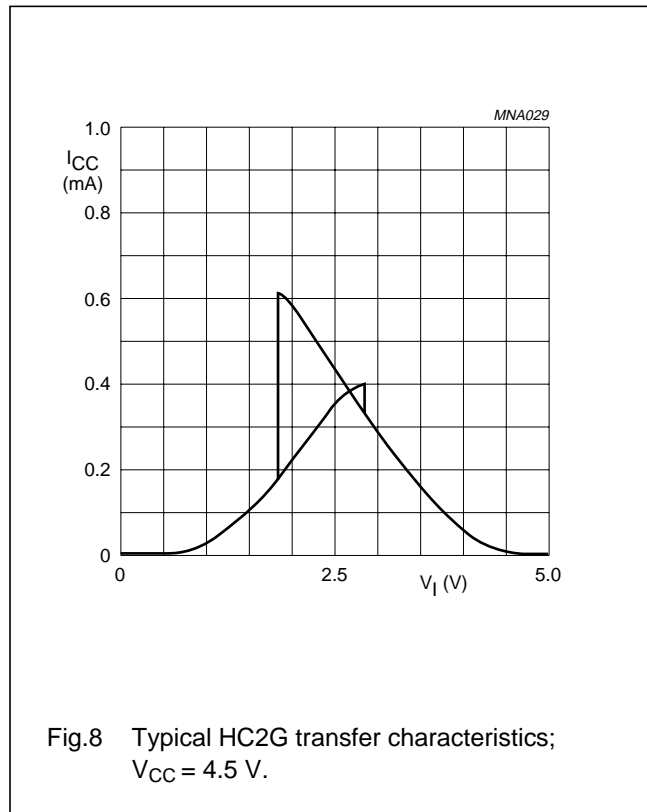
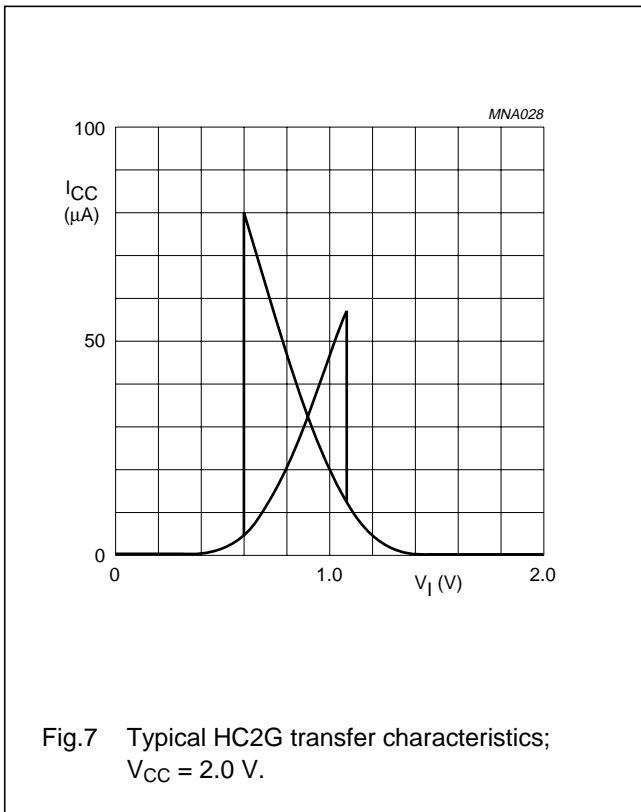
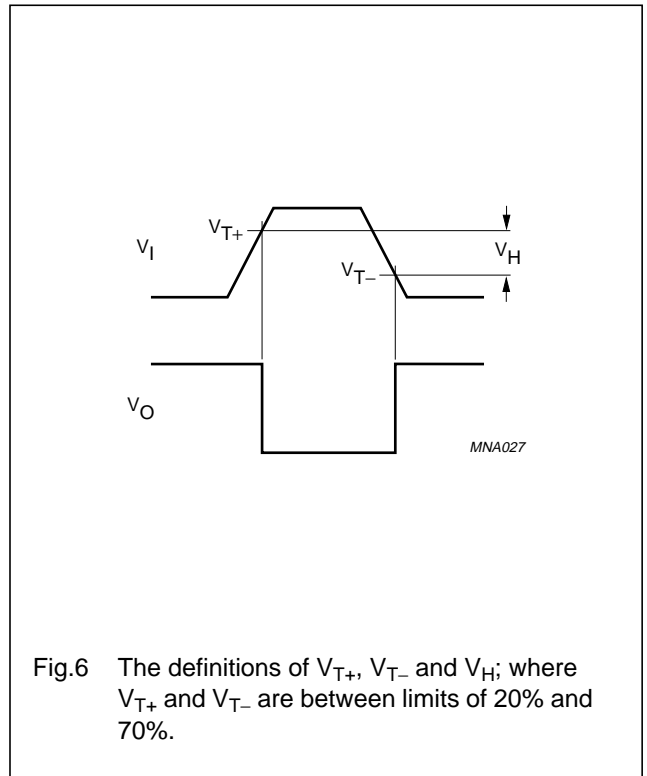
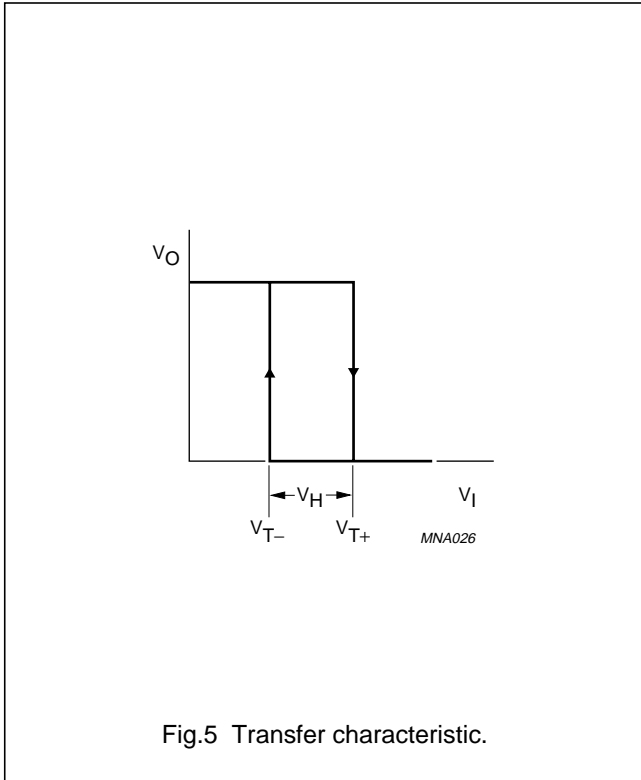
Note

1. All typical values are measured at T_{amb} = 25 °C.

Inverting Schmitt-triggers

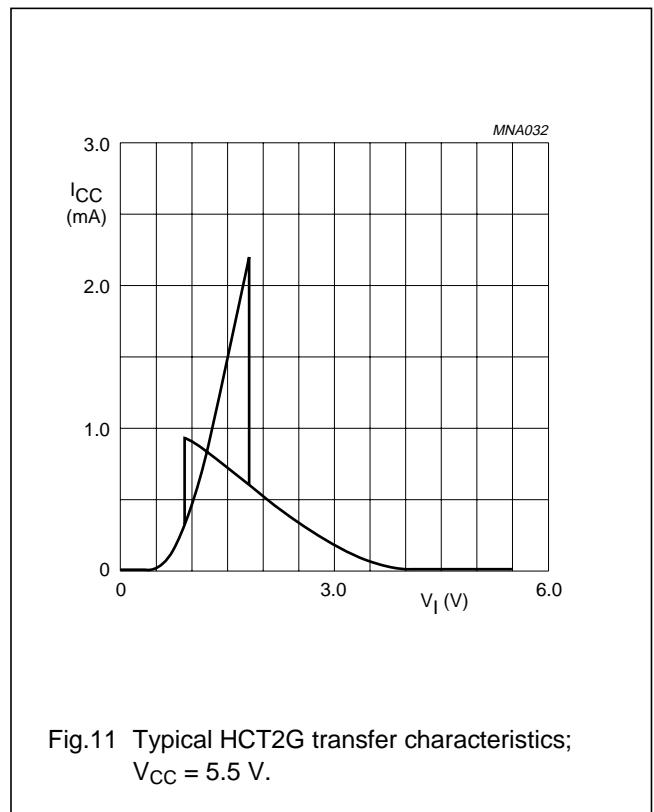
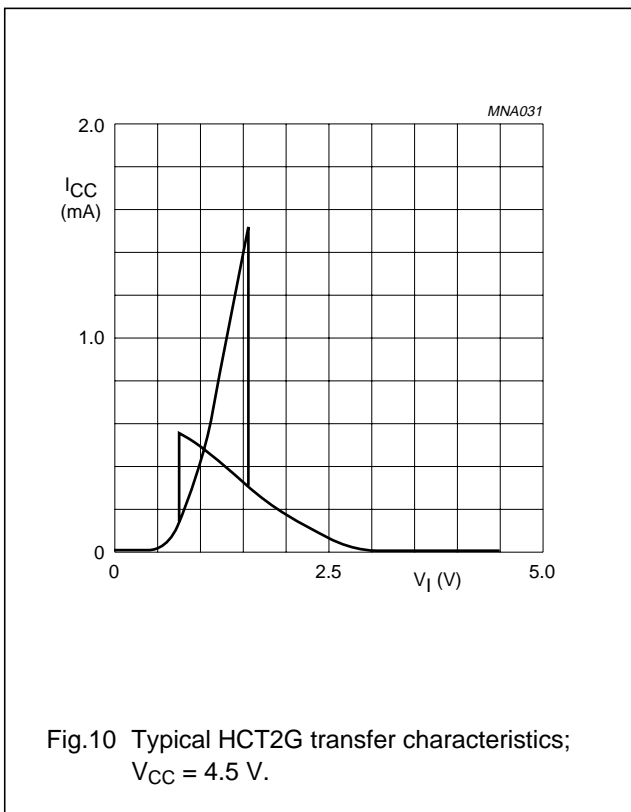
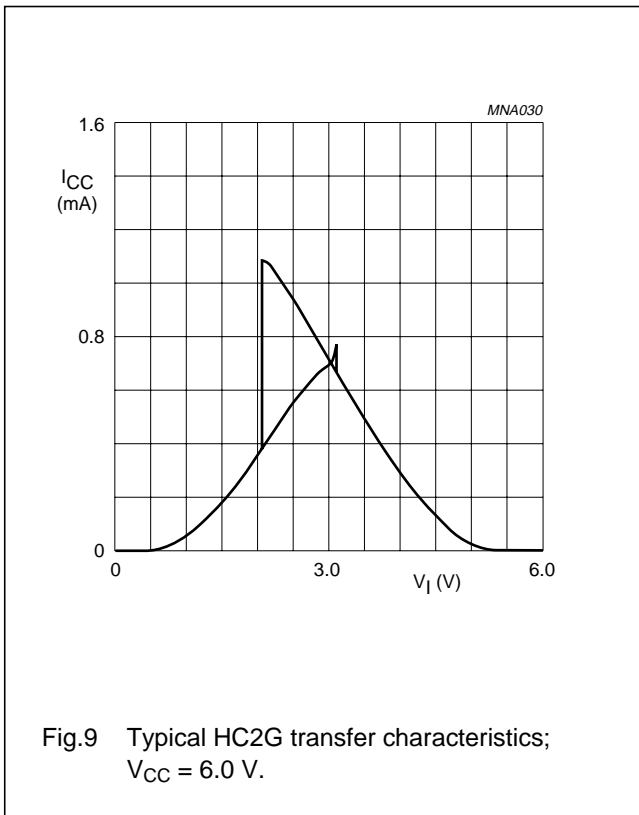
74HC2G14; 74HCT2G14

TRANSFER CHARACTERISTIC WAVEFORMS



Inverting Schmitt-triggers

74HC2G14; 74HCT2G14



Inverting Schmitt-triggers

74HC2G14; 74HCT2G14

AC CHARACTERISTICS

Type 74HC2G14

GND = 0 V; $t_r = t_f \leq 6.0$ ns; $C_L = 50$ pF.

SYMBOL	PARAMETER	TEST CONDITIONS	T_{amb} (°C)								UNIT	
			WAVEFORMS	V_{CC} (V)	+25			-40 to +85		-40 to +125		
					MIN.	TYP. ⁽¹⁾	MAX.	MIN.	MAX.	MIN.		MAX.
t_{PHL}/t_{PLH}	propagation delay nA to nY	see Figs 12 and 13	2.0	–	53	125	–	155	–	190	ns	
			4.5	–	16	25	–	31	–	38	ns	
			6.0	–	13	21	–	26	–	32	ns	
t_{THL}/t_{TLH}	output transition time	see Figs 12 and 13	2.0	–	20	75	–	95	–	110	ns	
			4.5	–	7	15	–	19	–	22	ns	
			6.0	–	5	13	–	16	–	19	ns	

Note

1. All typical values are measured at $T_{amb} = 25$ °C.

Type 74HCT2G14

GND = 0 V; $t_r = t_f \leq 6.0$ ns; $C_L = 50$ pF.

SYMBOL	PARAMETER	TEST CONDITIONS	T_{amb} (°C)								UNIT	
			WAVEFORMS	V_{CC} (V)	+25			-40 to +85		-40 to +125		
					MIN.	TYP. ⁽¹⁾	MAX.	MIN.	MAX.	MIN.		MAX.
t_{PHL}/t_{PLH}	propagation delay nA to nY	see Figs 12 and 13	4.5	–	21	32	–	40	–	48	ns	
t_{THL}/t_{TLH}	output transition time	see Figs 12 and 13	4.5	–	6	15	–	19	–	22	ns	

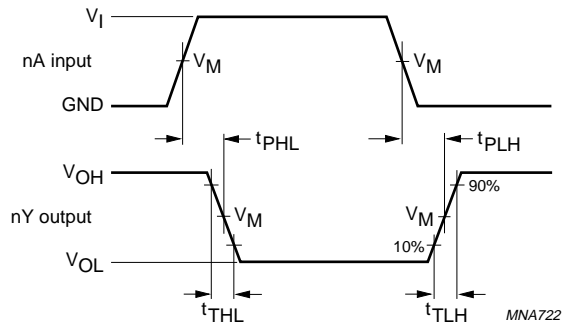
Note

1. All typical values are measured at $T_{amb} = 25$ °C.

Inverting Schmitt-triggers

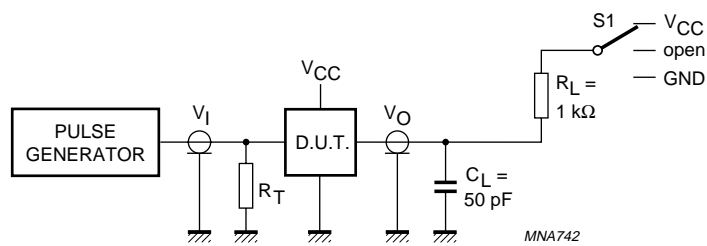
74HC2G14; 74HCT2G14

AC WAVEFORMS



For HC2G: $V_M = 50\%$; $V_I = \text{GND to } V_{CC}$.
 For HCT2G: $V_M = 1.3 \text{ V}$; $V_I = \text{GND to } 3.0 \text{ V}$.

Fig.12 The input (nA) to output (nY) propagation delays and output transition times.



TEST	S ₁
t _{PLH} /t _{PHL}	open
t _{PLZ} /t _{PZL}	V _{CC}
t _{PHZ} /t _{PZH}	GND

Definitions for test circuit:
 C_L = load capacitance including jig and probe capacitance (see "AC characteristics").
 R_T = termination resistance should be equal to the output impedance Z_o of the pulse generator.

Fig.13 Load circuitry for switching times.

Inverting Schmitt-triggers

74HC2G14; 74HCT2G14

APPLICATION INFORMATION

The slow input rise and fall times cause additional power dissipation, this can be calculated using the following formula:

$$P_{ad} = f_i \times (t_r \times I_{CCa} + t_f \times I_{CCa}) \times V_{CC}$$

Where:

P_{ad} = additional power dissipation (μW)

f_i = input frequency (MHz)

t_r = input rise time (ns); 10% to 90%

t_f = input fall time (ns); 90% to 10%

I_{CCa} = average additional supply current (μA).

Average I_{CCa} differs with positive or negative input transitions, as shown in Fig.14 and Fig.15.

HC2G14/HCT2G14 used in relaxation oscillator circuit, see Fig.16.

Note to the application information:

- All values given are typical unless otherwise specified.

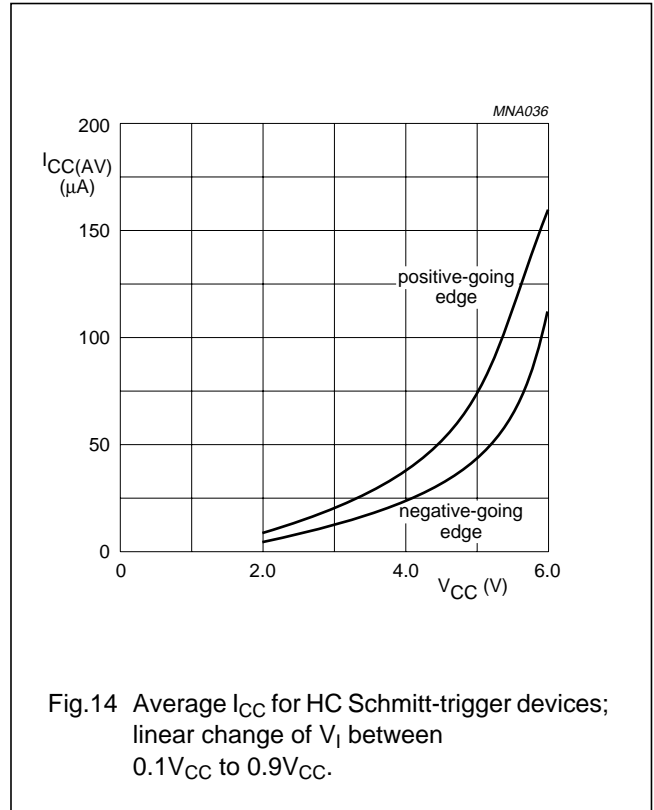


Fig.14 Average I_{CC} for HC Schmitt-trigger devices; linear change of V_I between $0.1V_{CC}$ to $0.9V_{CC}$.

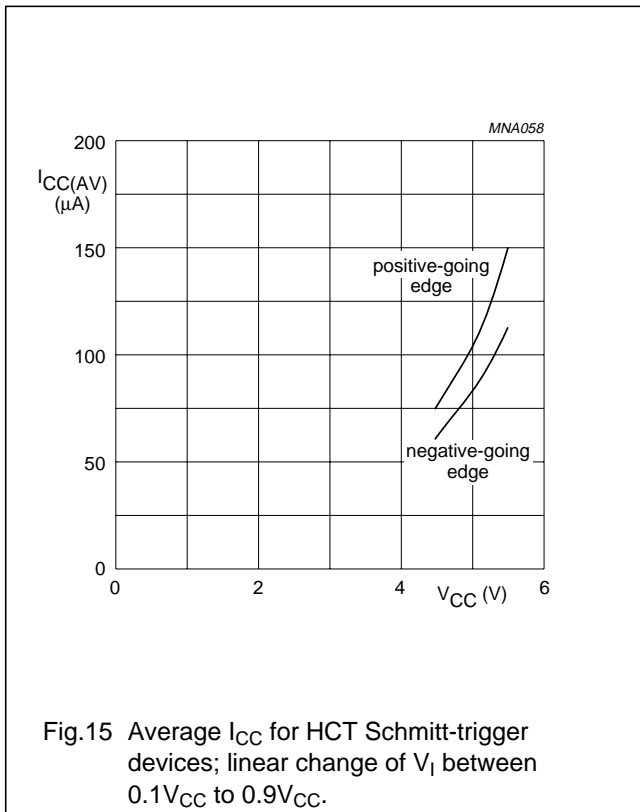
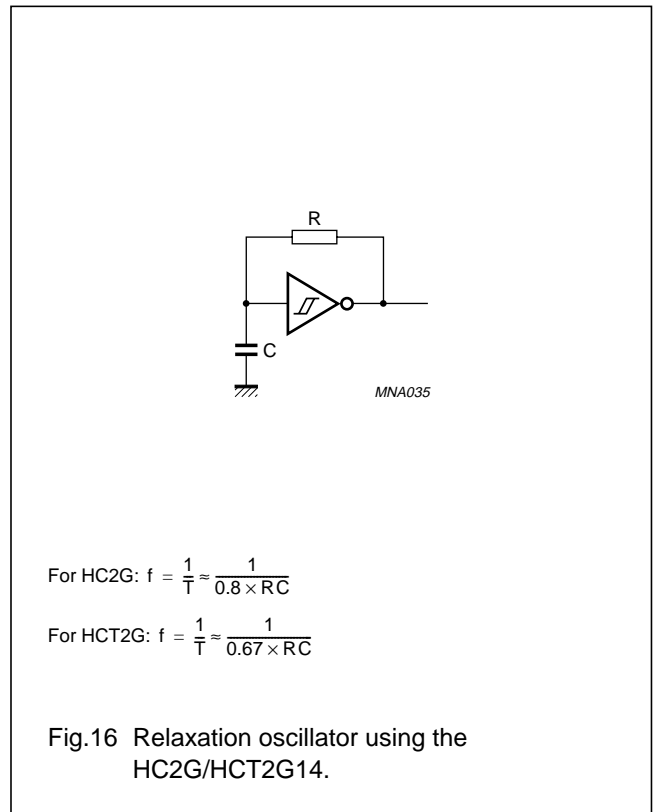


Fig.15 Average I_{CC} for HCT Schmitt-trigger devices; linear change of V_I between $0.1V_{CC}$ to $0.9V_{CC}$.



For HC2G: $f = \frac{1}{T} \approx \frac{1}{0.8 \times RC}$

For HCT2G: $f = \frac{1}{T} \approx \frac{1}{0.67 \times RC}$

Fig.16 Relaxation oscillator using the HC2G/HCT2G14.

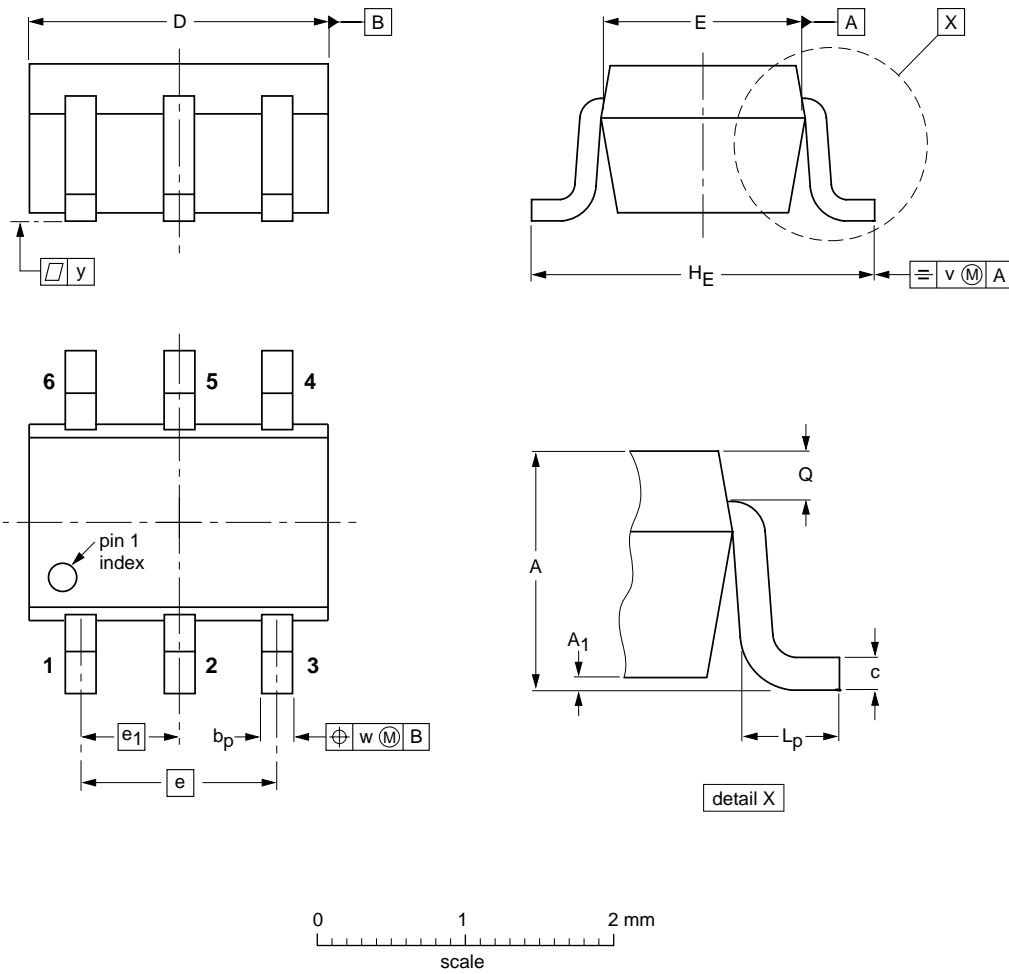
Inverting Schmitt-triggers

74HC2G14; 74HCT2G14

PACKAGE OUTLINE

Plastic surface mounted package; 6 leads

SOT363



DIMENSIONS (mm are the original dimensions)

UNIT	A	A ₁ max	b _p	c	D	E	e	e ₁	H _E	L _p	Q	v	w	y
mm	1.1 0.8	0.1	0.30 0.20	0.25 0.10	2.2 1.8	1.35 1.15	1.3	0.65	2.2 2.0	0.45 0.15	0.25 0.15	0.2	0.2	0.1

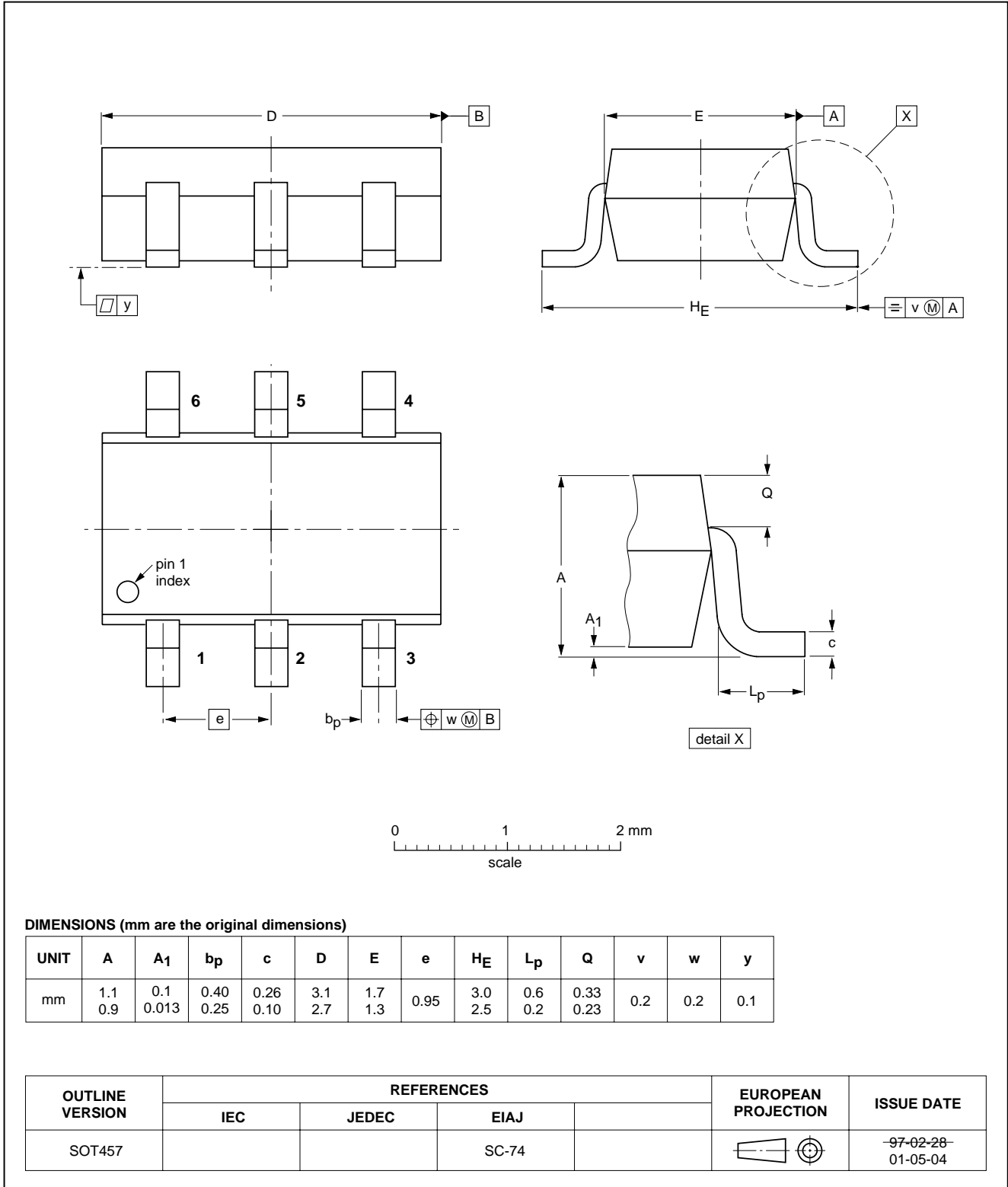
OUTLINE VERSION	REFERENCES				EUROPEAN PROJECTION	ISSUE DATE
	IEC	JEDEC	EIAJ			
SOT363			SC-88			97-02-28

Inverting Schmitt-triggers

74HC2G14; 74HCT2G14

Plastic surface mounted package; 6 leads

SOT457



Inverting Schmitt-triggers

74HC2G14; 74HCT2G14

SOLDERING

Introduction to soldering surface mount packages

This text gives a very brief insight to a complex technology. A more in-depth account of soldering ICs can be found in our *"Data Handbook IC26; Integrated Circuit Packages"* (document order number 9398 652 90011).

There is no soldering method that is ideal for all surface mount IC packages. Wave soldering can still be used for certain surface mount ICs, but it is not suitable for fine pitch SMDs. In these situations reflow soldering is recommended.

Reflow soldering

Reflow soldering requires solder paste (a suspension of fine solder particles, flux and binding agent) to be applied to the printed-circuit board by screen printing, stencilling or pressure-syringe dispensing before package placement.

Several methods exist for reflowing; for example, convection or convection/infrared heating in a conveyor type oven. Throughput times (preheating, soldering and cooling) vary between 100 and 200 seconds depending on heating method.

Typical reflow peak temperatures range from 215 to 250 °C. The top-surface temperature of the packages should preferably be kept below 220 °C for thick/large packages, and below 235 °C for small/thin packages.

Wave soldering

Conventional single wave soldering is not recommended for surface mount devices (SMDs) or printed-circuit boards with a high component density, as solder bridging and non-wetting can present major problems.

To overcome these problems the double-wave soldering method was specifically developed.

If wave soldering is used the following conditions must be observed for optimal results:

- Use a double-wave soldering method comprising a turbulent wave with high upward pressure followed by a smooth laminar wave.
- For packages with leads on two sides and a pitch (e):
 - larger than or equal to 1.27 mm, the footprint longitudinal axis is **preferred** to be parallel to the transport direction of the printed-circuit board;
 - smaller than 1.27 mm, the footprint longitudinal axis **must** be parallel to the transport direction of the printed-circuit board.

The footprint must incorporate solder thieves at the downstream end.

- For packages with leads on four sides, the footprint must be placed at a 45° angle to the transport direction of the printed-circuit board. The footprint must incorporate solder thieves downstream and at the side corners.

During placement and before soldering, the package must be fixed with a droplet of adhesive. The adhesive can be applied by screen printing, pin transfer or syringe dispensing. The package can be soldered after the adhesive is cured.

Typical dwell time is 4 seconds at 250 °C.

A mildly-activated flux will eliminate the need for removal of corrosive residues in most applications.

Manual soldering

Fix the component by first soldering two diagonally-opposite end leads. Use a low voltage (24 V or less) soldering iron applied to the flat part of the lead. Contact time must be limited to 10 seconds at up to 300 °C.

When using a dedicated tool, all other leads can be soldered in one operation within 2 to 5 seconds between 270 and 320 °C.

Inverting Schmitt-triggers

74HC2G14; 74HCT2G14

Suitability of surface mount IC packages for wave and reflow soldering methods

PACKAGE	SOLDERING METHOD	
	WAVE	REFLOW ⁽¹⁾
BGA, HBGA, LFBGA, SQFP, TFBGA	not suitable	suitable
HBCC, HLQFP, HSQFP, HSOP, HTQFP, HTSSOP, HVQFN, SMS	not suitable ⁽²⁾	suitable
PLCC ⁽³⁾ , SO, SOJ	suitable	suitable
LQFP, QFP, TQFP	not recommended ⁽³⁾⁽⁴⁾	suitable
SSOP, TSSOP, VSO	not recommended ⁽⁵⁾	suitable

Notes

1. All surface mount (SMD) packages are moisture sensitive. Depending upon the moisture content, the maximum temperature (with respect to time) and body size of the package, there is a risk that internal or external package cracks may occur due to vaporization of the moisture in them (the so called popcorn effect). For details, refer to the Drypack information in the *“Data Handbook IC26; Integrated Circuit Packages; Section: Packing Methods”*.
2. These packages are not suitable for wave soldering as a solder joint between the printed-circuit board and heatsink (at bottom version) can not be achieved, and as solder may stick to the heatsink (on top version).
3. If wave soldering is considered, then the package must be placed at a 45° angle to the solder wave direction. The package footprint must incorporate solder thieves downstream and at the side corners.
4. Wave soldering is only suitable for LQFP, TQFP and QFP packages with a pitch (e) equal to or larger than 0.8 mm; it is definitely not suitable for packages with a pitch (e) equal to or smaller than 0.65 mm.
5. Wave soldering is only suitable for SSOP and TSSOP packages with a pitch (e) equal to or larger than 0.65 mm; it is definitely not suitable for packages with a pitch (e) equal to or smaller than 0.5 mm.

Inverting Schmitt-triggers

74HC2G14; 74HCT2G14

DATA SHEET STATUS

DATA SHEET STATUS	PRODUCT STATUS	DEFINITIONS ⁽¹⁾
Objective specification	Development	This data sheet contains the design target or goal specifications for product development. Specification may change in any manner without notice.
Preliminary specification	Qualification	This data sheet contains preliminary data, and supplementary data will be published at a later date. Philips Semiconductors reserves the right to make changes at any time without notice in order to improve design and supply the best possible product.
Product specification	Production	This data sheet contains final specifications. Philips Semiconductors reserves the right to make changes at any time without notice in order to improve design and supply the best possible product.

Note

1. Please consult the most recently issued data sheet before initiating or completing a design.

DEFINITIONS

Short-form specification — The data in a short-form specification is extracted from a full data sheet with the same type number and title. For detailed information see the relevant data sheet or data handbook.

Limiting values definition — Limiting values given are in accordance with the Absolute Maximum Rating System (IEC 60134). Stress above one or more of the limiting values may cause permanent damage to the device. These are stress ratings only and operation of the device at these or at any other conditions above those given in the Characteristics sections of the specification is not implied. Exposure to limiting values for extended periods may affect device reliability.

Application information — Applications that are described herein for any of these products are for illustrative purposes only. Philips Semiconductors make no representation or warranty that such applications will be suitable for the specified use without further testing or modification.

DISCLAIMERS

Life support applications — These products are not designed for use in life support appliances, devices, or systems where malfunction of these products can reasonably be expected to result in personal injury. Philips Semiconductors customers using or selling these products for use in such applications do so at their own risk and agree to fully indemnify Philips Semiconductors for any damages resulting from such application.

Right to make changes — Philips Semiconductors reserves the right to make changes, without notice, in the products, including circuits, standard cells, and/or software, described or contained herein in order to improve design and/or performance. Philips Semiconductors assumes no responsibility or liability for the use of any of these products, conveys no licence or title under any patent, copyright, or mask work right to these products, and makes no representations or warranties that these products are free from patent, copyright, or mask work right infringement, unless otherwise specified.