

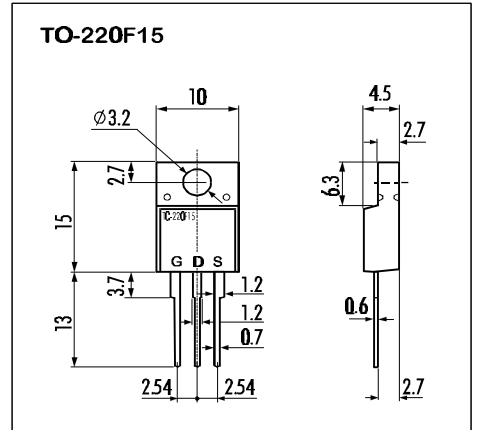
> Features

- High Current
- Low On-Resistance
- No Secondary Breakdown
- Low Driving Power
- High Forward Transconductance

> Applications

- Motor Control
- General Purpose Power Amplifier
- DC-DC converters

> Outline Drawing

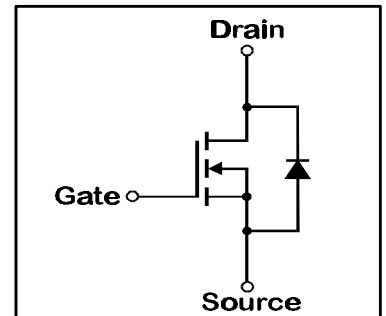


> Maximum Ratings and Characteristics

- Absolute Maximum Ratings (T_C=25°C), unless otherwise specified

Item	Symbol	Rating	Unit
Drain-Source-Voltage	V _{DS}	150	V
Continuous Drain Current	I _D	6	A
Pulsed Drain Current	I _{D(puls)}	24	A
Continuous Reverse Drain Current	I _{DR}	6	A
Gate-Source-Voltage	V _{GS}	±20	V
Max. Power Dissipation	P _D	30	W
Operating and Storage Temperature Range	T _{ch}	150	°C
	T _{stg}	-55 ~ +150	°C

> Equivalent Circuit



- Electrical Characteristics (T_C=25°C), unless otherwise specified

Item	Symbol	Test conditions	Min.	Typ.	Max.	Unit
Drain-Source Breakdown-Voltage	V _{(BR)DSS}	I _D =1mA V _{GS} =0V	150			V
Gate Threshold Voltage	V _{GS(th)}	I _D =1mA V _{DS} =V _{GS}	1,0	1,5	2,5	V
Zero Gate Voltage Drain Current	I _{DSS}	V _{DS} =150V T _{ch} =25°C		10	500	μA
		V _{GS} =0V T _{ch} =125°C		0,2	1,0	mA
Gate Source Leakage Current	I _{GSS}	V _{GS} =±20V V _{DS} =0V		10	100	nA
Drain Source On-State Resistance	R _{DS(on)}	I _D =3A V _{GS} =4V		0,40	0,65	Ω
		I _D =3A V _{GS} =10V		0,33	0,50	Ω
Forward Transconductance	g _{fs}	I _D =3A V _{DS} =25V	3	6		S
Input Capacitance	C _{iss}	V _{DS} =25V		600	900	pF
Output Capacitance	C _{oss}	V _{GS} =0V		100	150	pF
Reverse Transfer Capacitance	C _{rss}	f=1MHz		30	45	pF
Turn-On-Time t _{on} (t _{on} =t _{d(on)} +t _r)	t _{d(on)}	V _{CC} =30V		10	15	ns
	t _r	I _D =6A		40	60	ns
Turn-Off-Time t _{off} (t _{off} =t _{d(off)} +t _f)	t _{d(off)}	V _{GS} =10V		90	120	ns
	t _f	R _{GS} =25Ω		30	50	ns
Diode Forward On-Voltage	V _{SD}	I _F =2xI _{DR} V _{GS} =0V T _{ch} =25°C		1,01	1,52	V
Reverse Recovery Time	t _{rr}	I _F =I _{DR} V _{GS} =0V		80		ns
		-dI _F /dt=100A/μs T _{ch} =25°C				

- Thermal Characteristics

Item	Symbol	Test conditions	Min.	Typ.	Max.	Unit
Thermal Resistance	R _{th(ch-a)}	channel to air			62,5	°C/W
	R _{th(ch-c)}	channel to case			4,17	°C/W

N-channel MOS-FET

150V 0,5Ω 6A 30W

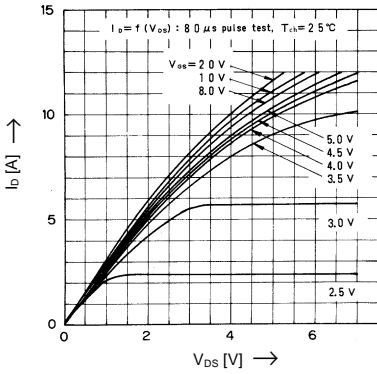
2SK1098-M

F-III Series

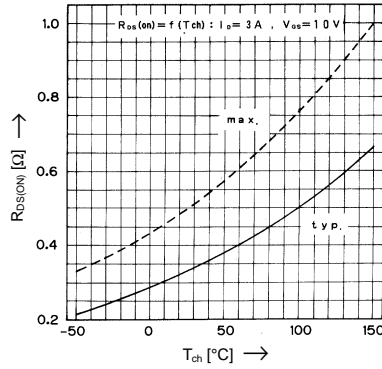


> Characteristics

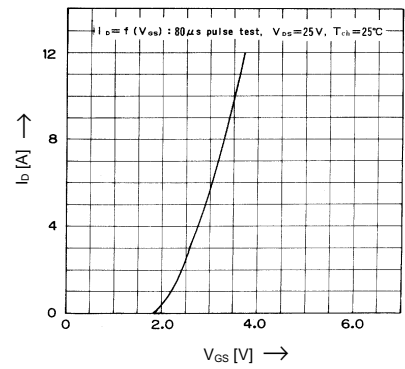
Typical Output Characteristics



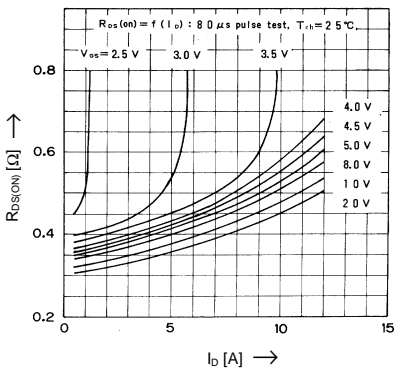
Drain-Source-On-State Resistance vs. T_{ch}



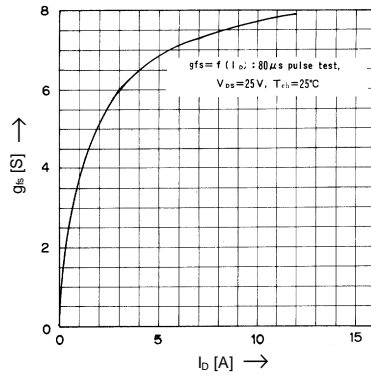
Typical Transfer Characteristics



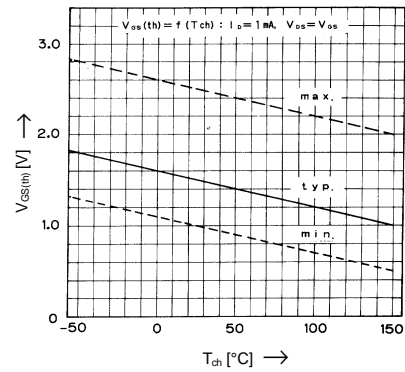
Typical Drain-Source-On-State-Resistance vs. I_D



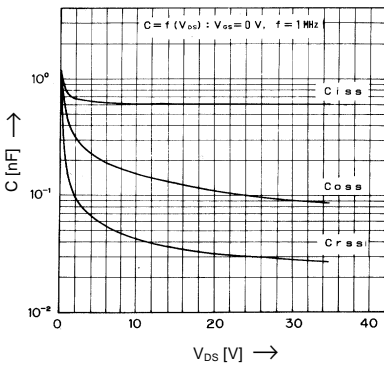
Typical Forward Transconductance vs. I_D



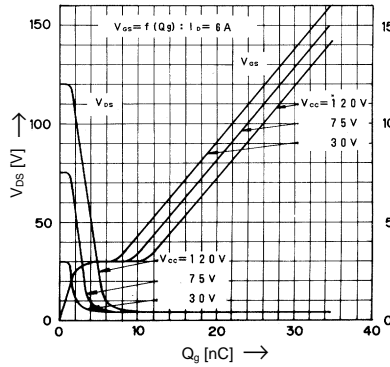
Gate Threshold Voltage vs. T_{ch}



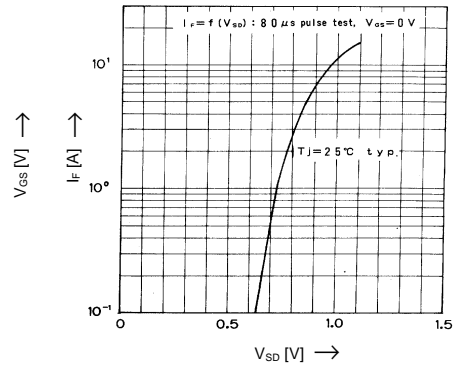
Typical Capacitance vs. V_{DS}



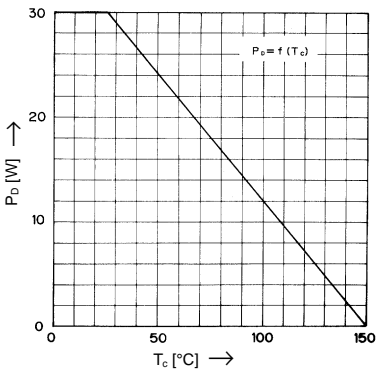
Typical Input Charge



Forward Characteristics of Reverse Diode



Allowable Power Dissipation vs. T_c



Safe operation area

