

ATM QUAD SONET FRAMER

The μ PD98411 NEASCOT-P40 is one of ATM-LAN LSIs and provides the functions of the TC sublayer of the SONET/SDH-base physical layer of the ATM protocol specified by the ATM Forum. Its main functions include a transmission function to map an ATM cell passed from an ATM layer to the payload of 155M-bps SONET STS-3c/SDH STM-1 frame and transmit the cell to the PMD (Physical Media Dependent) sublayer of the physical layer, and a reception function to separate the overhead and ATM cell from the data string received from the PMD device and transmit the ATM cell to the ATM layer. The μ PD98411 NEASCOT-P40 combines these transmission /reception functions into a port function that is realized as a single 4-port LSI chip. This LSI is ideally suited for use in the ATM hubs, ATM switches, and other equipment used to configure an ATM network.

In addition, the μ PD98411 also has a clock recovery function for each port to extract synchronous clock for reception of receive data from the bit stream, and a clock synthesis function to generate a clock for transmission.

For the details of functional description, refer to the following user's manual.

μ PD98411 User's Manual : S12736E

FEATURES

- Incorporates an ATM user network interface TC sublayer function for four channels.
- Conforms to ATM FORUM UNI v3.1.
- Incorporates four clock recovery PLLs and one clock synthesizer PLL.
- Conforms to ATM FORUM UTOPIA Level 2 v1.0.
 - ATM layers can be selected from the multi-PHY interface (up to 800 Mbps) in several different modes.

Single 16-bit	1TCLAV/1RCLAV (Cell Available signal mode)
Single 8-bit	Direct Status Indication mode
Dual 8-bit	Multiplexed Status Polling mode

- A management interface can be set to either of two modes.

RD-WR-RDY style (Intel-compatible mode)
DS-R/W-ACK style (Motorola-compatible mode)

- The line-side PMD interface accepts a P-ECL level input.
- Supports a loopback function.
- Supports a pseudo error generation frame transmission function.
- Incorporates one general input port per channel and three output ports (each able to drive an LED) per channel.
- Supports JTAG boundary scan test (IEEE 1149.1).

**The information in this document is subject to change without notice. Before using this document, please confirm that this is the latest version.
Not all devices/types available in every country. Please check with local NEC representative for availability and additional information.**

- Incorporates a wide range of operation, administration, and maintenance (OAM) functions.

Transmission

Alarm Condition and Failure Detection	Line Quality Monitoring
APS	Insertion of B1-byte computation
Line AIS/Path AIS	Insertion of B2-byte computation
Line RDI/Path RDI	Insertion of B3-byte computation
	Automatic transmission of a Line REI
	Automatic transmission of a Path REI

Reception

Alarm Condition and Failure Detection	Notification of Degraded Line Quality	Line Quality Monitor Counter
External input signal change	B1 error	B1 error counter
LOS	B2 error	B2 error counter
OOF	B3 error	B3 error counter
LOF	Line REI	Line REI counter
LOP	Path REI	Path REI counter
OCD	Frequency justification	Frequency justification counter
LCD	FIFO overflow	HEC processing dropped cell counter
Line AIS/Path AIS		FIFO overflow dropped cell counter
Line RDI/Path RDI		Received idle cell counter
APS		Valid cell counter

- 0.35-μm CMOS process
- Low power consumption; +3.3 V single-voltage power supply

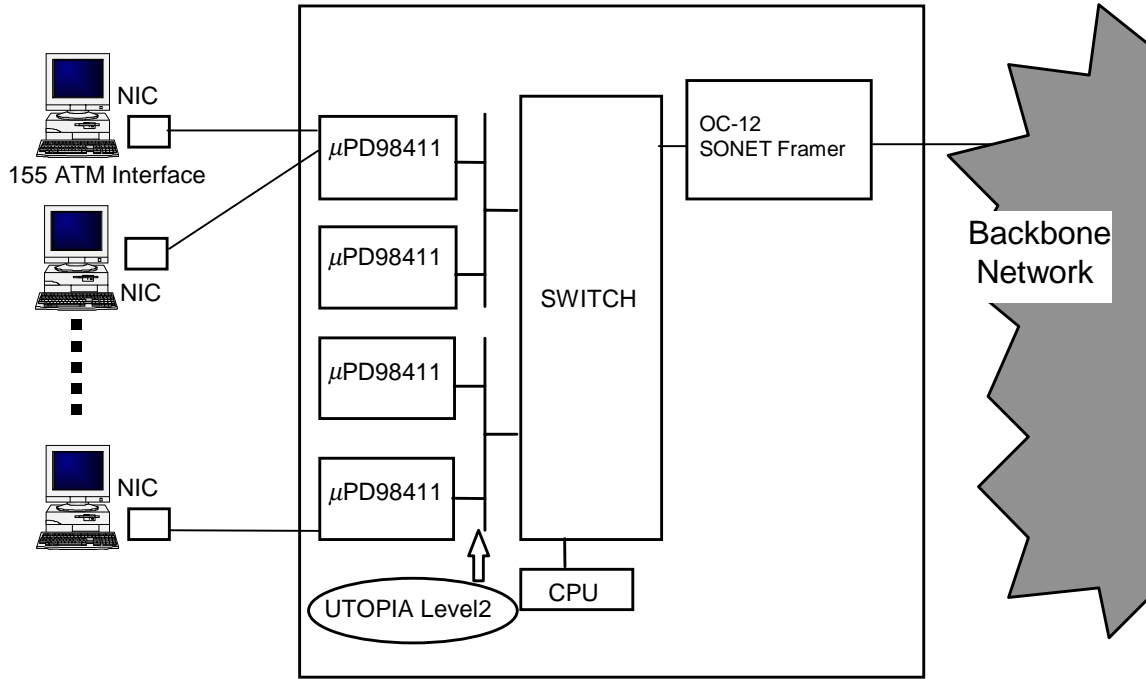
ORDERING INFORMATION

Part Number	Package
μPD98411GN-MMU	240-pin plastic QFP (fine pitch) (32 × 32 mm)

APPLICATIONS

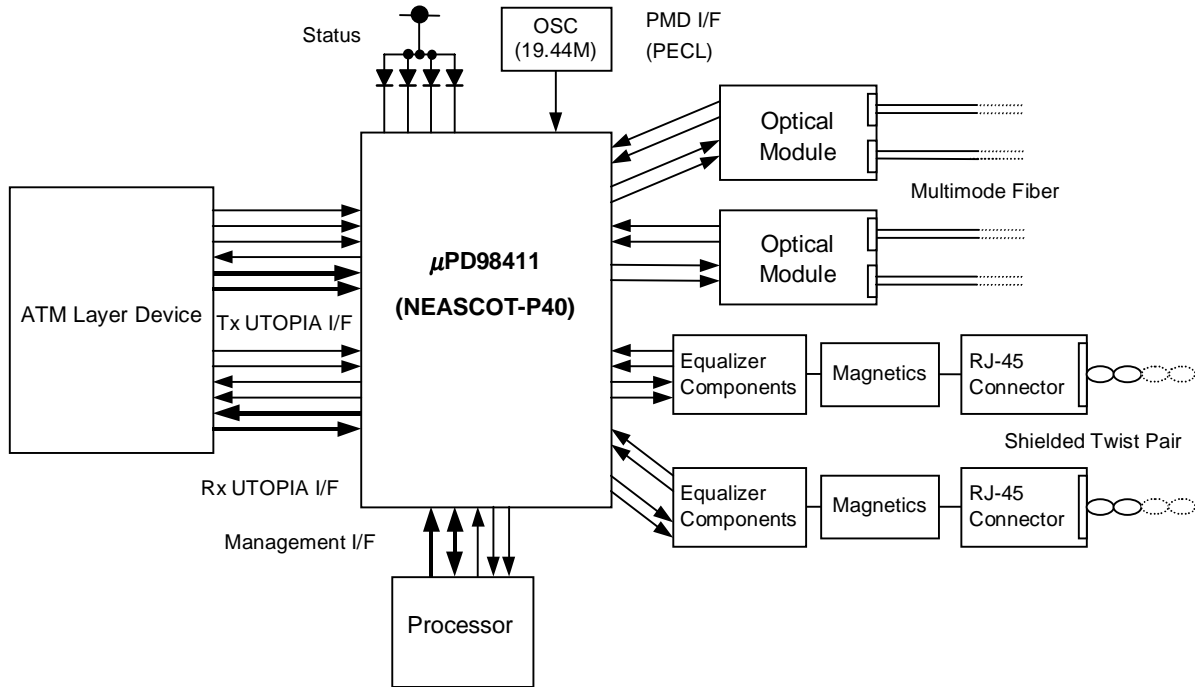
The following are examples of the application using the μPD98411.

• ATM Switches



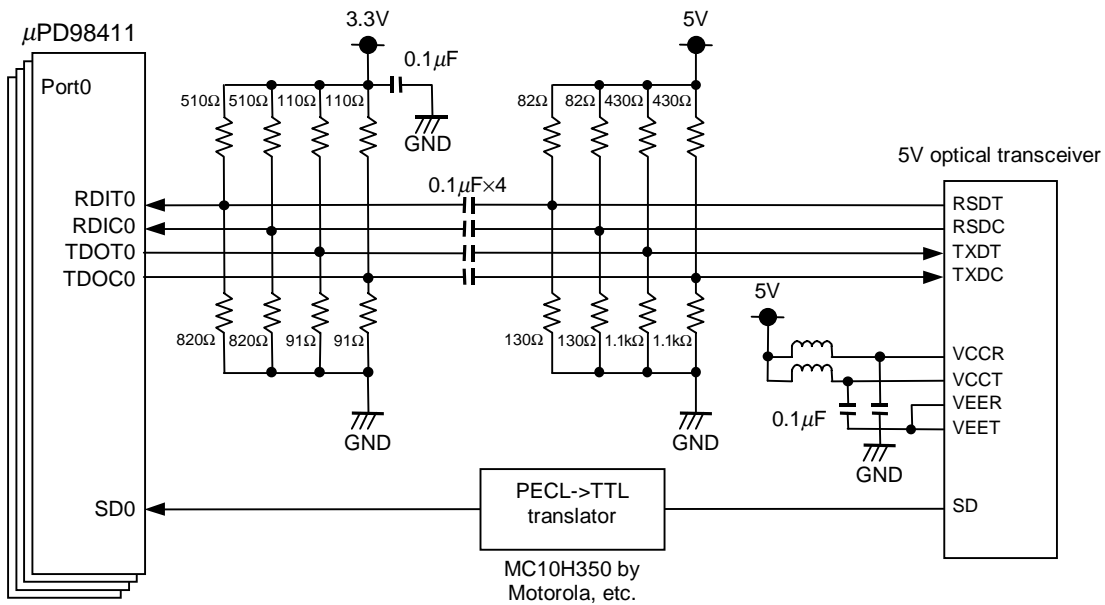
SYSTEM CONFIGURATION

1) μPD98411 System Application



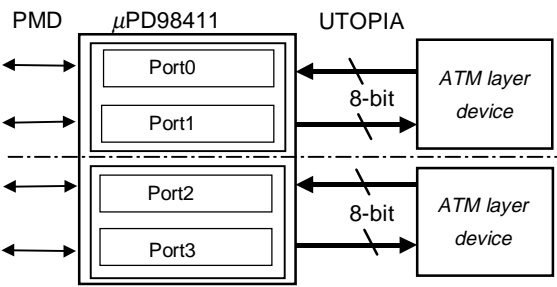
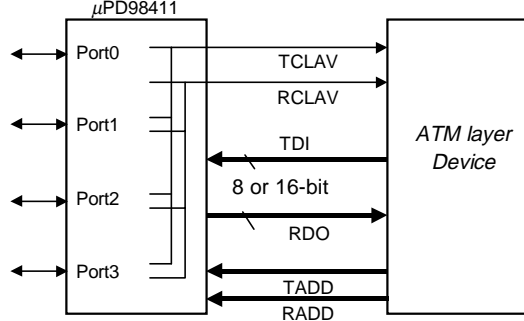
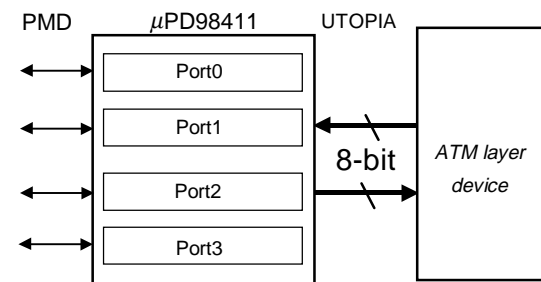
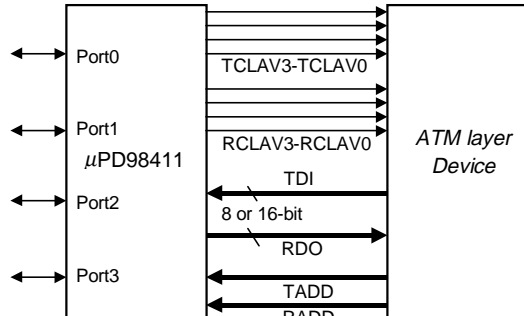
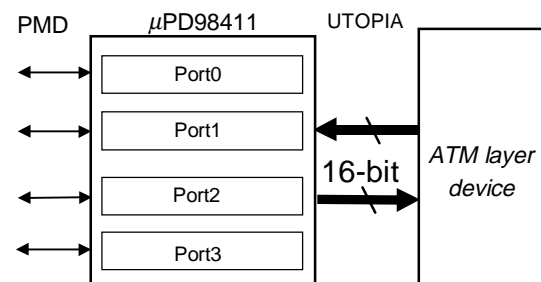
2) Connection to 5-V transceiver/receiver

The following show an example of connecting the μPD98411 to a 5-V optical transceiver. Since the μPD98411 operates on 3.3 V, a coupling circuit should be added if it is to be connected to a 5-V device.

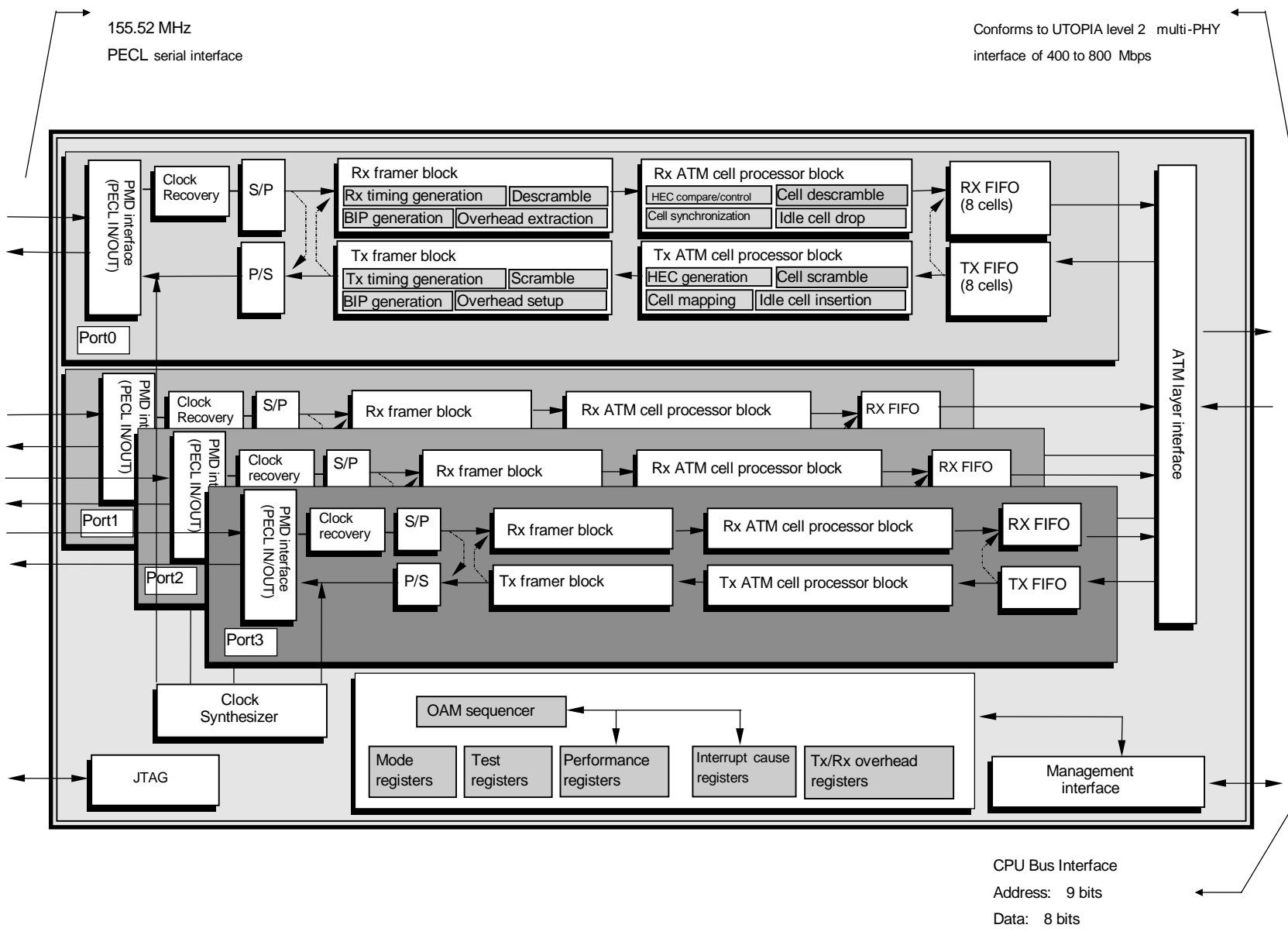


3) UTOPIA Interface

The UTOPIA interface transfers transmit/receive cell data to a device in the upper ATM layer. The interface between the μPD98411 and the ATM layer conforms to “MPHY Data Path Operation” of the “UTOPIA Level 2 version 1.0 June '95” standard.

Bus Mode	The way to indicate Cell Available state
<p>Dual eight-bit bus. In this mode, an 8-bit data bus is used for two ports. Ports 0 and 1 transfer signals using one eight-bit bus, while ports 2 and 3 transfer signals using another eight-bit bus. The ports operate independently.</p> 	<p>One TCLAV & one RCLAV signal mode The one TCLAV & one RCLAV signal mode outputs the TCLAV and RCLAV signal status information for four ports of the μPD98411 by multiplexing them into a single signal.</p> 
<p>Single eight-bit bus. In this mode, cell data for all four ports is transferred through an eight-bit bus. The maximum transfer rate is 400 Mbps (8 bits x 50 MHz).</p> 	<p>Direct Status Indication Mode μPD98411 has four TXCLAV and RXCLAV status signals, one pair of TXCLAV and RXCLAV for each port. Status signals and cell transfers are independent of each other. No address information is needed to obtain status information.</p> 
<p>Single sixteen-bit bus. In this mode, cell data for all four ports is transferred through a sixteen-bit bus. The maximum transfer rate is 800 Mbps (16 bits x 50 MHz).</p> 	<p>Multiplexed Status Polling Mode When six or more μPD98411s are connected to one ATM layer, ATM layer obtain the status information of all the connected ports in the 53 clock cycles in which it transmits or receives a single data cell. Because a minimum of two clock cycles are required to obtain the TCLAV/RCLAV signal status of a port by ATM layer polling. Therefore every port address is allocated in a fixed manner to one of the four status signals and to one of eight port groups.</p>

BLOCK DIAGRAM

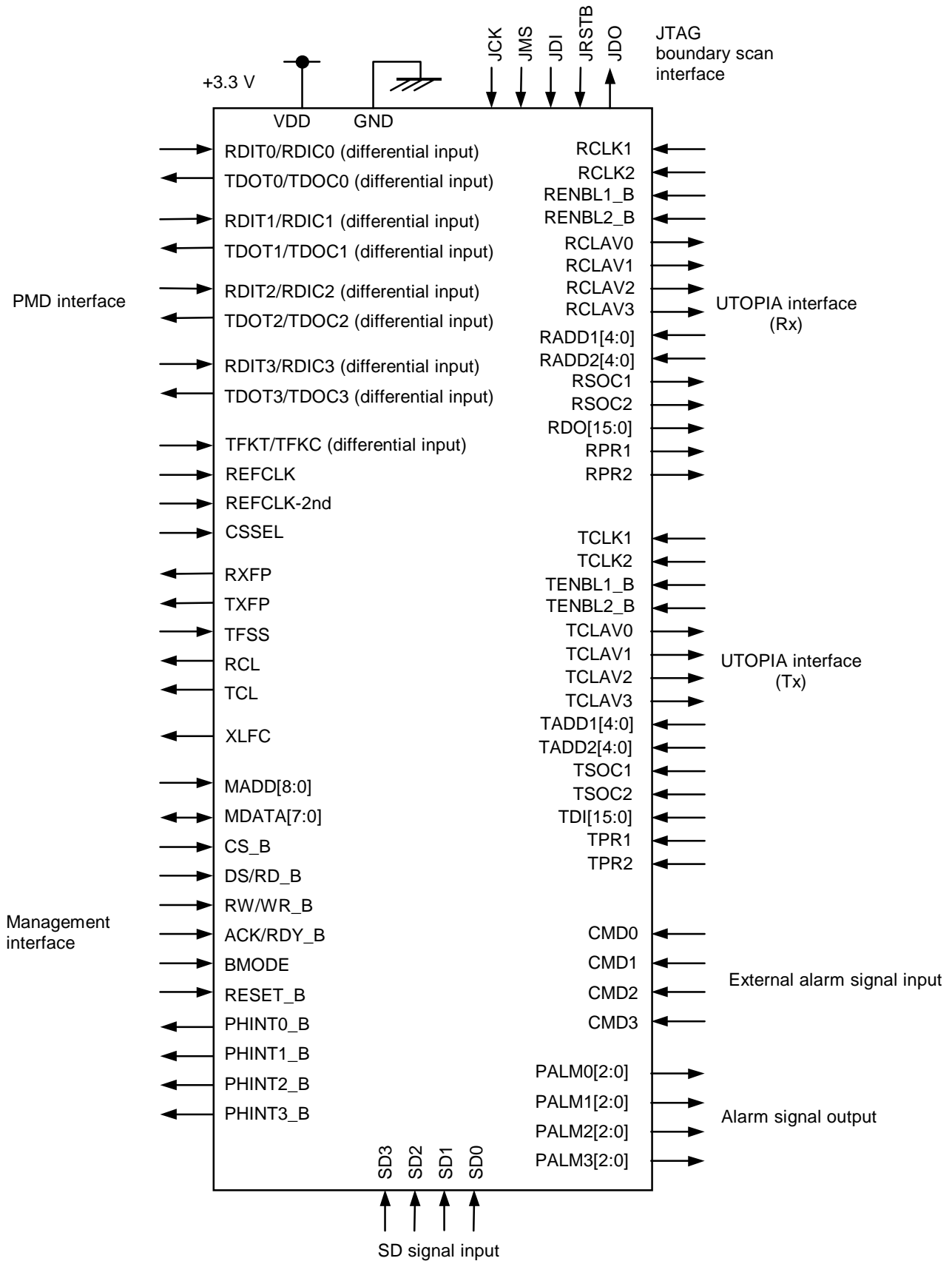


155.52 MHz
PECL serial interface

Conforms to UTOPIA level 2 multi-PHY
interface of 400 to 800 Mbps

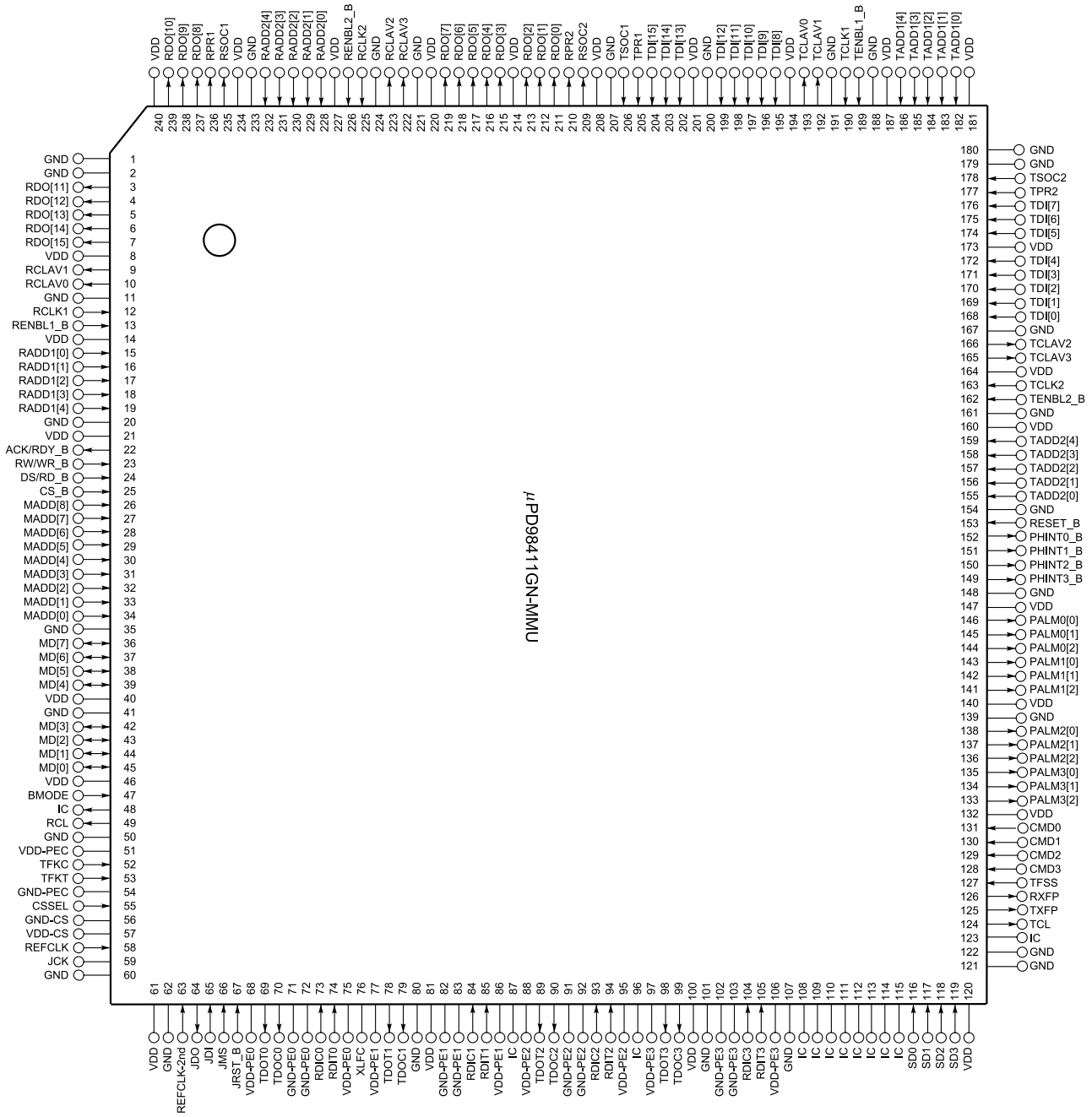
CPU Bus Interface
Address: 9 bits
Data: 8 bits

FUNCTIONAL PIN GROUPS



PIN CONFIGURATION

240-pin plastic QFP (fine pitch) (32 × 32 mm) (Top View)



- Remark1.** IC: internal connect pin. Leave the IC pins open.
2. In this document, xxx_B stands for active low pin.

PIN ARRANGEMENT TABLE

(1/2)

Number	Pin Name	Number	Pin Name	Number	Pin Name	Number	Pin Name
1	GND	40	VDD	79	TDOC1	118	SD2
2	GND	41	GND	80	GND	119	SD3
3	RDO[11]	42	MD[3]	81	VDD	120	VDD
4	RDO[12]	43	MD[2]	82	GND-PE1	121	GND
5	RDO[13]	44	MD[1]	83	GND-PE1	122	GND
6	RDO[14]	45	MD[0]	84	RDIC1	123	IC
7	RDO[15]	46	VDD	85	RDIT1	124	TCL
8	VDD	47	BMODE	86	VDD-PE1	125	TXFP
9	RCLAV1	48	IC	87	IC	126	RXFP
10	RCLAV0	49	RCL	88	VDD-PE2	127	TFSS
11	GND	50	GND	89	TDOT2	128	CMD3
12	RCLK1	51	VDD-PEC	90	TDOC2	129	CMD2
13	RENBL1_B	52	TFKC	91	GND-PE2	130	CMD1
14	VDD	53	TFKT	92	GND-PE2	131	CMD0
15	RADD1[0]	54	GND-PEC	93	RDIC2	132	VDD
16	RADD1[1]	55	CSSEL	94	RDIT2	133	PALM3[2]
17	RADD1[2]	56	GND-CS	95	VDD-PE2	134	PALM3[1]
18	RADD1[3]	57	VDD-CS	96	IC	135	PALM3[0]
19	RADD1[4]	58	REFCLK	97	VDD-PE3	136	PALM2[2]
20	GND	59	JCK	98	TDOT3	137	PALM2[1]
21	VDD	60	GND	99	TDOC3	138	PALM2[0]
22	ACK/RDY_B	61	VDD	100	VDD	139	GND
23	RW/WR_B	62	GND	101	GND	140	VDD
24	DS/RD_B	63	REFCLK-2nd	102	GND-PE3	141	PALM1[2]
25	CS_B	64	JDO	103	GND-PE3	142	PALM1[1]
26	MADD[8]	65	JDI	104	RDIC3	143	PALM1[0]
27	MADD[7]	66	JMS	105	RDIT3	144	PALM0[2]
28	MADD[6]	67	JRST_B	106	VDD-PE3	145	PALM0[1]
29	MADD[5]	68	VDD-PE0	107	GND	146	PALM0[0]
30	MADD[4]	69	TDOT0	108	IC	147	VDD
31	MADD[3]	70	TDOC0	109	IC	148	GND
32	MADD[2]	71	GND-PE0	110	IC	149	PHINT3_B
33	MADD[1]	72	GND-PE0	111	IC	150	PHINT2_B
34	MADD[0]	73	RDIC0	112	IC	151	PHINT1_B
35	GND	74	RDIT0	113	IC	152	PHINT0_B
36	MD[7]	75	VDD-PE0	114	IC	153	RESET_B
37	MD[6]	76	XLFC	115	IC	154	GND
38	MD[5]	77	VDD-PE1	116	SD0	155	TADD2[0]
39	MD[4]	78	TDOT1	117	SD1	156	TADD2[1]

(2/2)

Number	Pin Name	Number	Pin Name	Number	Pin Name	Number	Pin Name
157	TADD2[2]	179	GND	201	VDD	223	RCLAV2
158	TADD2[3]	180	GND	202	TDI[13]	224	GND
159	TADD2[4]	181	VDD	203	TDI[14]	225	RCLK2
160	VDD	182	TADD1[0]	204	TDI[15]	226	RENBL2_B
161	GND	183	TADD1[1]	205	TPR1	227	VDD
162	TENBL2_B	184	TADD1[2]	206	TSOC1	228	RADD2[0]
163	TCLK2	185	TADD1[3]	207	GND	229	RADD2[1]
164	VDD	186	TADD1[4]	208	VDD	230	RADD2[2]
165	TCLAV3	187	VDD	209	RSOC2	231	RADD2[3]
166	TCLAV2	188	GND	210	RPR2	232	RADD2[4]
167	GND	189	TENBL1_B	211	RDO[0]	233	GND
168	TDI[0]	190	TCLK1	212	RDO[1]	234	VDD
169	TDI[1]	191	GND	213	RDO[2]	235	RSOC1
170	TDI[2]	192	TCLAV1	214	VDD	236	RPR1
171	TDI[3]	193	TCLAV0	215	RDO[3]	237	RDO[8]
172	TDI[4]	194	VDD	216	RDO[4]	238	RDO[9]
173	VDD	195	TDI[8]	217	RDO[5]	239	RDO[10]
174	TDI[5]	196	TDI[9]	218	RDO[6]	240	VDD
175	TDI[6]	197	TDI[10]	219	RDO[7]		
176	TDI[7]	198	TDI[11]	220	VDD		
177	TPR2	199	TDI[12]	221	GND		
178	TSOC2	200	GND	222	RCLAV3		

PIN NAME

ACK/RDY_B	: Acknowledge/Ready	REFCLK	: System Clock
BMODE	: Bus Mode	REFCLK-2nd	: 2nd Reference Cock
CMD3-CMD0	: Command Signal	RENBL2_B,	: Receive Data Enable
CS_B	: Chip Select	RENBL1_B	
CSSEL	: Clock Source Select	RESET_B	: System Reset
DS/RD_B	: Data Strobe/Read	RPR2, RPR1	: Receive Data Path Parity
GND	: Ground	RSOC2, RSOC1	: Receive Start Of Cell
GND-CS	: Ground for Analog PLL Block	RW/WR_B	: Management Interface Read/Write
GND-PE3,	: Ground for Rx PECL Block	RxFP	: Receive Frame Pulse
GND-PE2,		SD3-SD0	: Signal Detect
GND-PE1,		TADD2[4:0],	: Transmit Address
GND-PE0		TADD1[4:0]	
GND-PEC	: Ground for TFKT/C PECL Block	TCL	: Internal Transmit System Clock
JCK	: JTAG Clock	TCLAV3-TCLAV0	: Transmit Cell Available Signals
JDI	: JTAG Data Input	TCLK2, TCLK1	: Transmit DATA transferring Clock
JDO	: JTAG Data Output	TDI15-TDI0	: Transmit Data Input from the ATM Layer
JMS	: JTAG Mode Select	TDOC3-TDOC0	: Transmit Data Output Complement
JRST_B	: JTAG Reset	TDOT3-TDOT0	: Transmit Data Output True
MADD[8:0]	: Management Interface Address Bus	TENBL2_B,	: Transmit Data Enable
MD[7:0]	: Management Interface Data Bus	TENBL1_B	
PALM3[2:0],	: Physical Alarm Output Signals	TFKC	: Transmit Reference Clock Complement
PALM2[2:0],		TFKT	: Transmit Reference Clock True
PALM1[2:0],		TFSS	: Transmit Frame Set Signal
PALM0[2:0]		TPR2,TPR1	: Transmit Data Path Parity
PHINT3_B,	: Physical Interrupt	TSOC2,TSOC1	: Transmit Start Of Cell
PHINT2_B,		TxFP	: Transmit Frame Pulse
PHINT1_B,		VDD	: Supply Voltage
PHINT0_B,		VDD-CS	: Supply Voltage for Analog PLL Block
RADD2[4:0],	: Receive Address	VDD-PE3,	: Supply Voltage for Rx PECL Block
RADD1[4:0]		VDD-PE2,	
RCL	: Internal Receive System Clock	VDD-PE1,	
RCLAV3-RCLAV0	: Receive Cell Available Signals	VDD-PE0	
RCLK2, RCLK1	: Receive Data Transferring Clock	VDD-PEC	: Supply Voltage for TFKT/C PECL Block
RDIC3-RDIC0	: Receive Data Input Complement	XLFC	: Tx Loop Filter Capacity
RDIT3-RDIT0	: Receive Data Input True		
RDO[15:0]	: Receive Data Output		

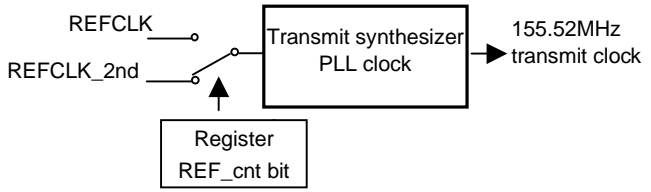
CONTENTS

1. PIN FUNCTIONS	13
1.1 PMD Interface	13
1.2 UTOPIA Interface	15
1.3 Management Interface	19
1.4 Alarm Signal Input/output	20
1.5 JTAG Boundary Scan	20
1.6 Power Supply and Ground	21
1.7 Others	21
1.8 Disipation of Unused Pins	22
1.9 Initial State of Pins	23
1.10 Correspondence between UTOPIA Interface Modes and Pins Used	24
 2. ELECTRICAL CHARACTERISTICS	 25
 3. PACKAGE DRAWING	 33
 4. RECOMMENDED SOLDERING CONDITIONS	 34

1. PIN FUNCTIONS

1.1 PMD Interface

(1/3)

Pin Name	Pin No.	I/O Level	I/O	Function
RDIT3- RDIT0	105, 94, 85, 74	P-ECL True(+)	I	Receive serial data input. Refers to the differential input of the P-ECL level.
RDIC3- RDIC0	104, 93, 84, 73	P-ECL Complement(-)	I	
TDOT3- TDOT0	98, 89, 78, 69	P-ECL True(+)	O	Transmit serial data output. Refers to the differential output of the P-ECL level. To the transmit clock.
TDOC3- TDOC0	99, 90, 79, 70	P-ECL Complement(-)	O	
SD3-SD0	119-116	CMOS	I	Line signal detection signal input. Refers to the pins for inputting the SD (Signal Detect) signal of line transceivers (such as optical modules). If this signal goes low, this port detects LOS. High: Normal Low: LOS state
REFCLK	58	CMOS	I	System clock (19.44MHz) input. Used as the source clock for the internal synthesizer PLL/clock recovery PLL and register operation.
REFCLK-2nd	63	CMOS	I	Second system clock (19.44MHz) input. Refers to the pin for inputting the second source clock of the internal synthesizer PLL. This pin is not used if it is unnecessary to switch the source clock of the synthesizer PLL. The CSSC register (address 076H) specifies which of REFCLK and REFCLK-2nd clocks to use as the source block. The REFCLK input is selected as the default. Even when REFCLK-2nd is used as the source clock of the synthesizer PLL, REFCLK is used for register operation as well; therefore, it is necessary to input the clock. 
RXFP	126	CMOS	O	Receive frame pulse output (8kHz). The pulse signal is output synchronously with the start of the receiving frame. The pulse signal is 1 cycle of the RCL clock in length. The internal FPMSK register (address: 07CH) is used to select which of the four ports will output the pulse synchronous to the receiving frame. No port is selected as the default; therefore, using the default will result in no output.

(2/3)

Pin Name	Pin No.	I/O Level	I/O	Function
XLFC	76	Analog	O	Loop filter capacity connection pin. Refers to the pin connecting the loop filter of the synthesizer PLL. Leave the pin open.
TXFP	125	CMOS	O	Transmitting end frame pulse signal output (8KHz). Outputs a pulse signal synchronous with the start of the transmission frame and equivalent to the 1 cycle of the TCL clock in length. The setting of the internal FPMSK register (address: 07CH) selects which of the four ports should output the pulse synchronous with the transmitting frame. No port is selected as the default value; therefore, using the default will result in no output.
TFSS	127	CMOS	I	Frame transmission disable signal input. If High is input to this pin, the output data strings of all ports are fixed to either to 0 or 1 and frame transmission stops. If Low is input, transmission restarts from the start (the 1st A1 byte) of the frame. Transmission starts with the output of a transmission synchronously with the rising edge of the TCL clock 9 cycles after the last rising edge of the TCL clock at which TFSS was detected as being high.
RCL	49	CMOS	O	Receive system clock output (19.44MHz). Each port uses the 155.52MHz receive clock divided by eight for internal receive processing; and this pin outputs this clock. Which port's system clock is output is selected by setting the relevant value of the RCMSK register (address: 07BH). By using the default value, the clock of port 0 is selected. During resetting or when no port is selected, Low is output. Also, this pin can output REFCLK-2nd clock.

(3/3)

Pin Name	Pin No.	I/O Level	I/O	Function
TCL	124	CMOS	O	Transmission system clock output (19.44 MHz). Each port uses the 155.52MHz transmit clock divided by eight for internal transmit processing; and this pin outputs this clock. Which port's system clock is output is selected by setting the relevant value of the TCMSK register (address: 07AH). During resetting or when no port is selected, Low is output.
TFKT	53	P-ECL True(+)	I	Externally generated 155.52MHz transmit clock input. Refers to the pin for inputting the externally generated transmit clock (155.52MHz) when not using the internally mounted synthesizer PLL. This pin is enabled by setting the CSSEL pin to High.
TFKC	52	P-ECL Complement(-)	I	
CSSEL	55	CMOS	I	TFKT/TFKC pin enable signal input. This pin inputs the enable signal of the TFKT/TFKC pin when inputting a 155.52MHz clock from outside the chip at the TFKT/TFKC pin. High: TFKT/TFKC pin enable Low: TFKT/TFKC pin disable

1.2 UTOPIA Interface

The pin used for each UTOPIA interface signal varies with the mode selected by the internal MltUt register (at address 079H). Please refer the table “Correspondence between UTOPIA Interface Modes and Pins Used”.

(1/4)

Pin Name	Pin No.	I/O Level	I/O	Function
RDO[15:8] RDO[7:0]	7-3 239-237 219-215 213-211	CMOS	O 3-state	Receive data buses. These 16-bit data bus pins transfer receive data to the ATM layer device. Output is made synchronous with the startup of the RCLK clock. The pins used varies depending on the UTOPIA interface mode selected by the MltUt register (address: 079H). <ul style="list-style-type: none"> • Single 8-bit bus: RDO[7:0] • Single 16-bit bus: RDO[15:0] • Dual 8-bit bus: RDO[15:8]/RDO[7:0]
RCLK2 RCLK1	225 12	CMOS	I	Receive clock input. These pins accept receive data transfer clocks of up to 50MHz. The pin to be used varies depending on the UTOPIA interface mode selected by the MltUt register (address: 079H). <ul style="list-style-type: none"> • Single 8-bit bus: RCLK2 • Single 16-bit bus: RCLK1 • Dual 8-bit bus: RCLK1/RCLK2

(2/4)

Pin Name	Pin No.	I/O Level	I/O	Function
RSOC2 RSOC1	209 235	CMOS	O 3-state	<p>Receive cell starting location signal output.</p> <p>These pins output a signal which indicates the location of the first byte with regard to the ATM layer device. The pin to be used varies depending on the UTOPIA interface mode selected by the MltUt register (address: 079H).</p> <ul style="list-style-type: none"> • Single 8-bit bus: RSOC2 • Single 16-bit bus: RSOC2 • Dual 8-bit bus: RSOC1/RSOC2
RENBL2_B RENBL1_B	226 13	CMOS	I	<p>Receive enable signal input.</p> <p>These pins input a signal which indicates that the corresponding ATM layer device is capable of accepting receive data. The pin to be used varies depending on the UTOPIA interface mode selected by the MltUt register (address: 079H).</p> <ul style="list-style-type: none"> • Single 8-bit bus: RENBL2_B • Single 16-bit bus: RENBL1_B • Dual 8-bit bus: RENBL1_B/RENBL2_B
RCLAV3 RCLAV2 RCLAV1 RCLAV0	222 223 9 10	CMOS	O 3-state	<p>Receive cell transferable signal output.</p> <p>This signal informs the ATM layer device that 1 cell or more of data exists in the receive FIFO.</p> <p>In 1TCLAV&1RCLAV mode, the RCLAV signal of each port is internally multiplexed to be output as a signal. Of the four signals of RCLAV0 to RCLAV3, the pin and operation of the signal which is used vary depending on the UTOPIA interface mode selected by the MltUt register (address: 079H).</p> <ul style="list-style-type: none"> • Single 8-bit bus: RCLAV2 • Single 16-bit bus: RCLAV1 • Dual 8-bit bus: RCLAV1/RCLAV2 <p>In Direct Status Indication (DSI) mode, the four signals of RCLAV0 to RCLAV3 are allocated to each of the ports to identify their FIFO statuses. RCLAV0 corresponds to Port 0, and RCLAV3 to Port 3.</p>
RADD2[4:0] RADD1[4:0]	232-228 19-15	CMOS	I	<p>Receiving end PHY address input.</p> <p>These pins input the address which selects the port. Different pins are used depending on the UTOPIA interface mode selected by the MltUt register (address: 079H).</p> <ul style="list-style-type: none"> • Single 8-bit bus: RADD2[4:0] • Single 16-bit bus: RADD1[4:0] • Dual 8-bit bus: RADD1[4:0]/RADD2[4:0]

(3/4)

Pin Name	Pin No.	I/O Level	I/O	Function
RPR2 RPR1	210 236	CMOS	O	Parity bit output pins. Odd parity bits are generated and output from these pins with respect to the data output from RDO15-RDO0. The pin to be used varies depending on the UTOPIA interface mode selected by the MItUt register (address: 079H). <ul style="list-style-type: none"> • Single 8-bit bus: RPR2 • Single 16-bit bus: RPR2 • Dual 8-bit bus: RPR1/RPR2
TDI[15:8] TDI[7:0]	204-202 199-195 176-174 172-168	CMOS	I	Transmit data buses. These data buses input transmit data from the ATM layer device at the rising edge of the TCLK clock. The pin to be used varies depending on the UTOPIA interface mode selected by the MItUt register (address: 079H). <ul style="list-style-type: none"> • Single 8-bit bus: TDI[15:8] • Single 16-bit bus: TDI[15:0] • Dual 8-bit bus: TDI[15:8]/TDI[7:0]
TCLK2 TCLK1	163 190	CMOS	I	Transmit clock input. These pins input clocks of up to 50MHz for transmit data transfer. The pin to be used varies depending on the UTOPIA interface mode selected by the internal MItUt register (address: 079H). <ul style="list-style-type: none"> • Single 8-bit bus: TCLK1 • Single 16-bit bus: TCLK2 • Dual 8-bit bus: TCLK1/TCLK2
TSOC2 TSOC1	178 206	CMOS	I	Transmit cell starting location signal input. These pins input a signal which indicates the location of the first byte of the transmit cell. The pin to be used varies depending on the UTOPIA interface mode selected by the MItUt register (address: 079H). <ul style="list-style-type: none"> • Single 8-bit bus: TSOC1 • Single 16-bit bus: TSOC1 • Dual 8-bit bus: TSOC1/TSOC2
TENBL2_B TENBL1_B	162 189	CMOS	I	Transmit enable signal input. These pins input a signal which indicates that the ATM layer device is outputting valid transmit data to TDI[15]-TDI[0]. The pin to be used varies depending on the UTOPIA interface mode selected by the internal MItUt register (address: 079H). <ul style="list-style-type: none"> • Single 8-bit bus: TENBL1_B • Single 16-bit bus: TENBL2_B • Dual 8-bit bus: TENBL1_B/TENBL2_B

(4/4)

Pin Name	Pin No.	I/O Level	I/O	Function
TCLAV3 TCLAV2 TCLAV1 TCLAV0	165 166 192 193	CMOS	O 3-state	<p>Transmit cell acceptable signal output.</p> <p>The signal informs the ATM layer device that unused storage space of at least 1 cell is available in the transmit FIFO.</p> <p>In 1TCLAV&1RCLAV mode, the TCLAV signal of each port is internally multiplexed to be output as a signal. Of the four signals of TCLAV0 to TCLAV3, the pin to be used varies depending on the UTOPIA interface mode selected by the MItUt register (address: 079H).</p> <ul style="list-style-type: none"> • Single 8-bit bus: TCLAV1 • Single 16-bit bus: TCLAV2 • Dual 8-bit bus: TCLAV1/TCLAV2 <p>In Direct Status Indication (DSI) mode, the four pins TCLAV0 to TCLAV3 are allocated to each of the ports signal by signal, and indicate the FIFO statuses of each port. TCLAV0 corresponds to Port 0; and TCLAV3 to Port 3.</p>
TADD2[4:0] TADD1[4:0]	159-155 186-182	CMOS	I	<p>Transmission PHY address input.</p> <p>These pins input the address of the port to be selected. The pins used vary depending on the UTOPIA interface mode selected by the MItUt register (address: 079H).</p> <ul style="list-style-type: none"> • Single 8-bit bus: TADD1[4:0] • Single 16-bit bus: TADD2[4:0] • Dual 8-bit bus: TADD1[4:0]/TADD2[4:0]
TPR2 TPR1	177 205	CMOS	I	<p>Parity bit input pins.</p> <p>These pins input the odd parity bit input from TD0[15]-TDO[0].</p> <p>The pin to be used varies depending on the UTOPIA interface mode selected by the MItUt register (address: 079H).</p> <ul style="list-style-type: none"> • Single 8-bit bus: TPR1 • Single 16-bit bus: TPR1 • Dual 8-bit bus: TPR1/TPR2

1.3 Management Interface

Pin Name	Pin No.	I/O Level	I/O	Function
BMODE	47	CMOS	I	Mode selection input. This pin input is used to select the mode of the management interface. BMODE= 1: Selects <RD_B, WR_B, RDY_B> as the pin function. 0: Selects <DS_B, R/W_B, ACK_B> as the pin function.
MADD[8:0]	26-34	CMOS	I	Address input. 9-bit addresses for inputting internal register addresses.
MD[7:0]	36-39 42-45	CMOS	I/O 3-state	8-bit data buses for reading/writing internal register data.
CS_B	25	CMOS	I	Chip select signal input. When at low level, access to internal registers is enabled.
DS/RD_B	24	CMOS	I	Data strobe signal input or read signal input. The function of this pin varies depending on the management interface mode selected for the BMODE pin input. BMODE =0: Functions as data strobe signal DS_B BMODE =1: Function as RD_B selecting the read access
RW/WR_B	23	CMOS	I	Read/write signal input or write signal input. The function of this pin varies depending on the management interface mode selected for the BMODE pin input. When BMODE=0, the pin functions as Read/Write control signal R/W_B. R/W_B= High: Read cycle Low: Write cycle When BMODE=1, the pin functions as WR_B selecting Write for internal registers.
ACK/RDY_B	22	CMOS	O 3-state	Data acknowledge signal output or ready signal output. Outputs acknowledge and ready signals which accept the Read/Write cycle for internal registers.
PHINT3_B- PHINT0_B	149-152	CMOS	O	Interrupt signal output. These signals inform the host that an interrupt factor has occurred. Two modes are available for this purpose: one which indicates an interrupt factor for four ports using the PHINT0_B signal and the other which uses four pins PHINT0-PHINT3 to indicate an individual interrupt for each port. Port 0 corresponds to the PHINT0_B pin; and Port 3 to PHINT3_B.
RESET_B	153	CMOS	I	System reset signal input. Initializes the μPD98411. This input signal should be kept low for 1μs or more. Especially, in case of the power on, above-mentioned pulse width must be kept after the supply voltage reaches equal to or more than 90% at least. When the RESET_B signal is input, the clock must be input at REFCLK pin.

1.4 Alarm Signal Input/output

Pin Name	Pin No.	I/O Level	I/O	Function
CMD0-CMD3	128-131	CMOS	I	General-purpose input signal. Refers to the general-purpose input pins which input the status signals, etc. from external peripheral devices. The signal level of these pins can also be reflected in the status bits of internal registers, and changes in these bits can be used identify interrupt factors. Each port is equipped with a pin: CMD0 corresponds to Port 0 and CMD3 to Port 3.
PALM3[2:0] PALM2[2:0] PALM1[2:0] PALM0[2:0]	133-135 136-138 141-143 144-146	CMOS	O	PHY layer alarm detection signal output. These pins output the signal to notify that the port detected the alarm or the defect (LOS, OOF, LOF, LOP, OCD, LCD, Line AIS, Path AIS, Line RDI, Path RDI) or that the level of the CMD pin input was changed. Additionary, it is possible to use as the general output ports which reflects state of the bit of the internal register,too. The events to be indicated are selected by seting to AMPR, AMR1, AMR2 registers.

1.5 JTAG Boundary Scan

Pin Name	Pin No.	I/O Level	I/O	Function
JDI	65	CMOS	I	Refers to the boundary scan data input. When unused, connect this to ground.
JDO	64	CMOS	O 3-state	Refers to the boundary scan data output. When unused, leave this open.
JCK	59	CMOS	I	Refers to the boundary scan clock input. When unused, connect this to ground.
JMS	66	CMOS	I	Refers to the boundary scan mode select signal input. When unused, connect this to ground.
JRST_B	67	CMOS	I	Refers to the boundary scan reset signal input. When unused, connect this to ground.

1.6 Power Supply and Ground

Pin Name	Pin No	I/O	Function
VDD	8, 14, 21, 40, 46, 61, 81, 100, 120, 132, 140, 147, 160, 164, 173, 181, 187, 194, 201, 208, 214, 220, 227, 234, 240	--	Low-speed section logic power supply (+3.3V±5%) and ground.
GND	1, 2, 11, 20, 35, 41, 50, 60, 62, 80, 101, 107, 121, 122, 139, 148, 154, 161, 167, 179, 180, 188, 191, 200, 207, 221, 224, 233	--	
VDD-PEC	51	--	TFKT/TFKC input high-speed part power supply (+3.3V±5%) and ground. Noise from this power supply affects the jitter characteristic. Eliminate noise through countermeasures such as filters.
GND-PEC	54	--	
VDD-CS	57	--	Transmit clock synthesizer PLL power supply (+3.3V±5%) and ground. Noise from this power supply affects the jitter characteristic. Eliminate noise through countermeasures such as filters.
GND-CS	56	--	
VDD-PE3 VDD-PE2 VDD-PE1 VDD-PE0	97, 106 88, 95 77, 86 68, 75	--	Each port high-speed section, receive clock recovery section power supply (+3.3V±5%). Noise from this power supply affects the jitter characteristic. Eliminate noise through countermeasures such as filters.
GND-PE3 GND-PE2 GND-PE1 GND-PE0	102, 103 91, 92 82, 83 71, 72	--	

1.7 Others

Pin Name	Pin No.	I/O Level	I/O	Function
IC	48, 87, 96, 108-115, 123	CMOS	--	These refer to the internal circuit connection test pins. Be sure to leave them open.

1.8 Disipation of Unused Pins

Take the following actions with pins that are unused in certain modes.

Pin Name	Measure
RCLK2, RCLK1 RENBL2_B, RENBL1_B RADD2[4:0], RADD1[4:0] TDI[15:0] TCLK2, TCLK1 TSOC2, TSOC1 TENBL2_B, TENBL1_B TADD2[4:0], TADD1[4:0] TPR2, TPR1	Connect them to ground.
RDO[15:0] RSOC2, RSOC1 RPR2, RPR1 RCLAV3-RCLAV0 TCLAV3-TCLAV0	Leave them open.
CMD3-CMD0	Connect them to ground.
SD3-SD0	Pull them up.
TFKT/TFKC	Pull up TFKT and connect TFKC to ground.
TFSS	Connect it to ground.
XLFC	Leave it open.
REFCLK-2nd	Connect it to ground
Each of output pins	Leave them open.

1.9 Initial State of Pins

Pin Name	During Resetting	After Resetting
RDO[15:0] RSOC2, RSOC1 RCLAV3-RCLAV0 TCLAV3-TCLAV0 RPR2, RPR1	Hi-Z	Hi-Z
PHINT3_B-PHINT0_B	H	H
PALM3[2:0]-PALM0[2:0]	L	L
RXFP	L	L
TXFP	L	L
TCL	L	L
RCL	L	L
MD[7:0]	Hi-Z	Hi-Z
ACK/RDY_B	H	H
TDOT3-TDOT0	L	L
TDOC3-TDOC0	H	H

1.10 Correspondence between UTOPIA Interface Modes and Pins Used

Mode		MSL[3:0]	Pins Used (_B is omitted)		
Dual 8-bit	2 TCLAV/2 RCLAV	0001	Tx	Port 0/1	TCLK1, TDI[15:8], TADD1, TPR1, TENBL1_B, TCLAV1, TSOC1
				Port 2/3	TCLK2, TDI[7:0], TADD2, TPR2, TENBL2_B, TCLAV2, TSOC2
			Rx	Port 0/1	RCLK1, RDO[15:8], RADD1, RPR1, RENBL1_B, RCLAV1, RSOC1
				Port 2/3	RCLK2, RDO[7:0], RADD2, RPR2, RENBL2_B, RCLAV2, RSOC2
	Direct Status Indication Using 4 TCLAV/ 4 RCLAV signals (two-state outputs)	0101	Tx	Port 0/1	TCLK1, TDI[15:8], TADD1, TPR1, TENBL1_B, TCLAV0-TCLAV1, TSOC1
				Port 2/3	TCLK2, TDI[7:0], TADD2, TPR2, TENBL2_B, TCLAV2-TCLAV3, TSOC2
			Rx	Port 0/1	RCLK1, RDO[15:8], RADD1, RPR1, RENBL1_B, RCLAV0-RCLAV1, RSOC1
				Port 2/3	RCLK2, RDO[7:0], RADD2, RPR2, RENBL2_B, RCLAV2-RCLAV3, RSOC2
	Multiplexed Status Polling Using 2 TCLAV/ 2 RCLAV signals (three-state outputs)	1001	Tx	Port 0/1	TCLK1, TDI[15:8], TADD1, TPR1, TENBL1_B, TCLAV1, TSOC1
				Port 2/3	TCLK2, TDI[7:0], TADD2, TPR2, TENBL2_B, TCLAV2, TSOC2
			Rx	Port 0/1	RCLK1, RDO[15:8], RADD1, TPR1, RENBL1_B, RCLAV1, RSOC1
				Port 2/3	RCLK2,RDO[7:0], RADD2, TPR2, RENBL2_B, RCLAV2, RSOC2
Multiplexed Status Polling Using 4 TCAV/ 4 RCLAV signals (three-state outputs)	1101	Tx	Port 0/1	TCLK1, TDI[15:8], TADD1, TPR1, TENBL1_B, TCLAV0-TCLAV1, TSOC1	
			Port 2/3	TCLK2, TDI[7:0], TADD2, TPR2, TENBL2_B, TCLAV2-TCLAV3, TSOC2	
		Rx	Port 0/1	RCLK1, RDO[15:8], RADD1, RPR1, RENBL1_B, RCLAV0-RCLAV1, RSOC1	
			Port 2/3	RCLK2, RDO[7:0], RADD2, RPR2, RENBL2_B, RCLAV2-RCLAV3, RSOC2	
Single 8-bit	1 TCLAV/1 RCLAV	0010	Tx	TCLK1, TDI[15:8], TADD1, TPR1, TENBL1_B, TCLAV1, TSOC1	
			Rx	RCLK2, RDO[7:0], RADD2, RPR2, RENBL2_B, RCLAV2, RSOC2	
	Direct Status Indication Using 4 TCLAV/ 4 RCLAV signals (two-state outputs)	0110	Tx	TCLK1, TDI[15:8], TADD1, TPR1, TENBL1_B, TCLAV0-TCLAV3, TSOC1	
			Rx	RCLK2, RDO[7:0], RADD2, RPR2, RENBL2_B, RCLAV0-RCLAV3, RSOC2	
	Multiplexed Status Polling Using 4 TCLAV/ 4 RCLAV signals (three-state outputs)	1010	Tx	TCLK1, TDI[15:8], TADD1, TPR1, TENBL1_B, TCLAV1, TSOC1	
			Rx	RCLK2, RDO[7:0], RADD2, RPR2, RENBL2_B, RCLAV2, RSOC2	
	Multiplexed Status Polling Using 4 TCAV/ 4 RCLAV signals (three-state outputs)	1110	Tx	TCLK1, TDI[15:8], TADD1, TPR1, TENBL1_B, TCLAV0-TCLAV3, TSOC1	
			Rx	RCLK2, RDO[7:0], RADD2, RPR2, RENBL2_B, RCLAV0-RCLAV3, RSOC2	
Single 16-bit	1 TCLAV/1 RCLAV	0011	Tx	TCLK2, TDI[15:0], TADD2, TPR1 , TENBL2_B, TCLAV2, TSOC1	
			Rx	RCLK1, RDO[15:0], RADD1, RPR2 , RENBL1_B, RCLAV1, RSOC2	
	Direct Status Indication Using four TCLAV/four RCLAV signals (two-state outputs)	0111	Tx	TCLK2, TDI[15:0], TADD2, TPR1 , TENBL2_B, TCLAV0-TCLAV3, TSOC1	
			Rx	RCLK1, RDO[15:0], RADD1, RPR2 , RENBL1_B, RCLAV0-RCLAV3, RSOC2	
	Multiplexed Status Polling Using one TCLAV/one RCLAV signal (three-state outputs)	1011	Tx	TCLK2, TDI[15:0], TADD2, TPR1 , TENBL2_B, TCLAV2, TSOC1	
			Rx	RCLK1, RDO[15:0], RADD1, RPR2 , RENBL1_B, RCLAV1, RSOC2	
	Multiplexed Status Polling Using four TCLAV/four RCLAV signals (three-state outputs)	1111	Tx	TCLK2, TDI[15:0], TADD2, TPR1 , TENBL2_B, TCLAV0-TCLAV3, TSOC1	
			Rx	RCLK1, RDO[15:0], RADD1, RPR2 , RENBL1_B, RCLAV0-RCLAV3, RSOC2	

2. ELECTRICAL CHARACTERISTICS

Note The ‘♦’ mark shows the characteristics which was changed from previous version.

Absolute Maximum Ratings

Parameter	Symbol	Conditions	Rating	Unit
Supply voltage	V _{DD}		-0.5 to +4.6	V
Input/output voltage	V _I /V _O	Pins except on P-ECL	-0.5 to +6.6 and V _{DD} +3.0	V
	V _{IA} /V _{OA}	P-ECL pins	-0.5 ~ +4.6 and V _{DD} +0.5	V
♦ Operating temperature	T _{opt}		-40 to +85	°C
Storage temperature	T _{stg}		-65 to +150	°C

Caution If even one of the parameters exceeds its absolute maximum rating even momentarily, the quality of the product may be degraded. The absolute maximum rating therefore specifies the upper or lower limit of the values at which the product can be used without physical damage. Be sure not to exceed or fall below these values when using the product.

Capacitance

Parameter	Symbol	Conditions	MIN.	TYP.	MAX.	Unit
Input capacitance	C _i	Frequency = 1MHz		6	10	pF
Output capacitance	C _o	Frequency = 1MHz		6	10	pF
I/O capacitance	C _{io}	Frequency = 1MHz		6	10	pF

Recommended Operating Conditions

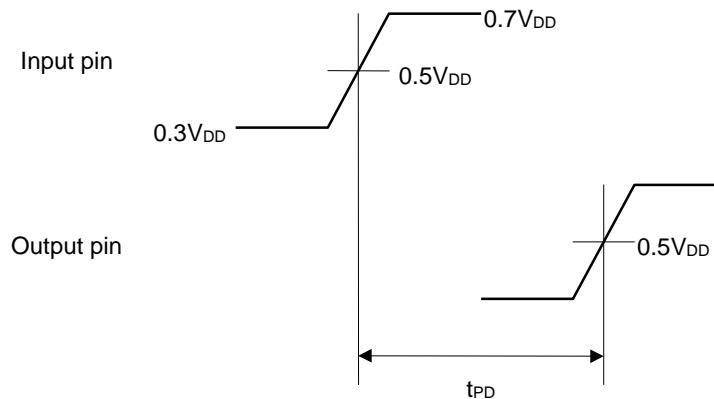
Parameter	Symbol	Conditions	MIN.	TYP.	MAX.	Unit
♦ Supply voltage	V _{DD}		V _{DD} x 0.95	3.3	V _{DD} x 1.05	V
♦ Operating ambient temperature	T _A		-40		+85	°C
Low-level input voltage	V _{IL}	Pins except on P-ECL	0		0.8	V
	V _{ILA}	P-ECL pins	V _{DD} -2.82		V _{DD} -1.50	V
High-level input voltage	V _{IH}	Pins except on P-ECL	2.2		5.25	V
	V _{IHA}	P-ECL pins	V _{DD} -1.49		V _{DD} -0.4	V
♦ P-ECL differential input voltage	V _{IDIFF}	P-ECL pins	0.1		2.41	V

◆ **DC Characteristics** ($V_{DD} = 3.3 \pm 5\% V$, $T_A = -40$ to $+85$ °C)

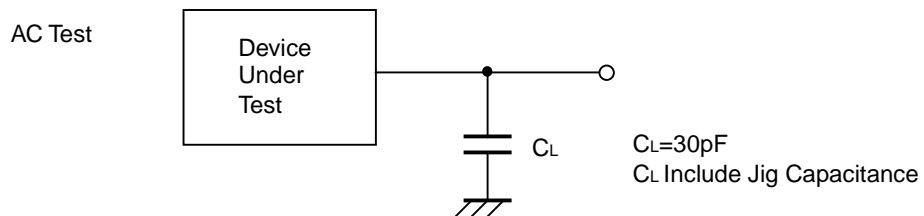
Parameter	Symbol	Conditions	MIN.	TYP.	MAX.	Unit
Off-state output current	I_{OZ}	$V_I = V_{DD}$ or GND			10	μA
Input leakage current	I_{IL}	Pins except on P-ECL $V_I = V_{DD}$ or GND			10	μA
	I_{ILA}	P-ECL pins			10	μA
Internal Pull-down resistance	RPL	59,65,66,67 pins	5.4	30	56.4	KΩ
Low-level output voltage	V_{OLA}	P-ECL pins $R_L = 50\Omega$, $V_T = V_{DD} - 2V$	$V_{DD} - 2.175$	$V_{DD} - 1.975$	$V_{DD} - 1.755$	V
High-level output voltage	V_{OHA}	P-ECL pins $R_L = 50\Omega$, $V_T = V_{DD} - 2V$	$V_{DD} - 1.14$	$V_{DD} - 0.92$	$V_{DD} - 0.69$	V
Low-level output current	I_{OL}	$V_{OL} = 0.4V$, $V_{DD} = 3.3V$ Pins except on P-ECL	9.0			mA
High-level output current	I_{OH}	$V_{OH} = 2.4V$, $V_{DD} = 3.3V$ Pins except on P-ECL	-9.0			mA
Supply current	I_{DD}	During normal operation		500	800	mA

◆ **AC Characteristics** ($V_{DD} = 3.3 \pm 5\% V$, $T_A = -40$ to $+85$ °C)

The propagation delay time is defined as follows:



AC Testing Load Circuit



◆ **Remark** In case of $C_L=50pF$, the operating condition changes to $T_A = 0$ to $+70$ °C.

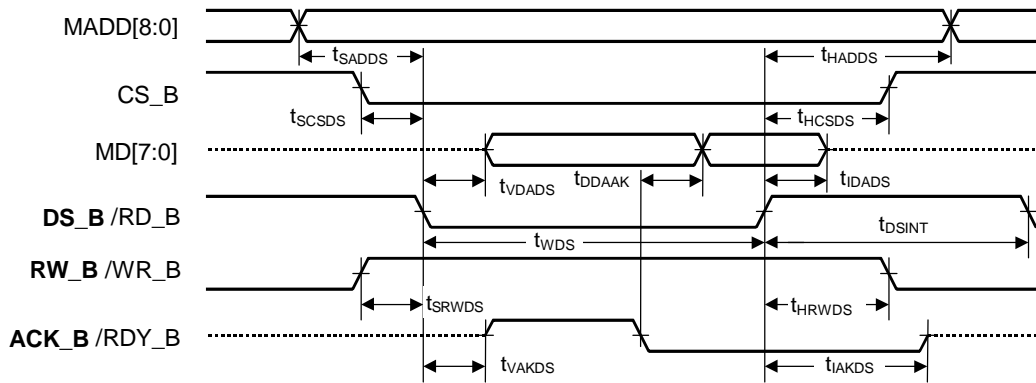
Management Interface

a) Internal Register Read

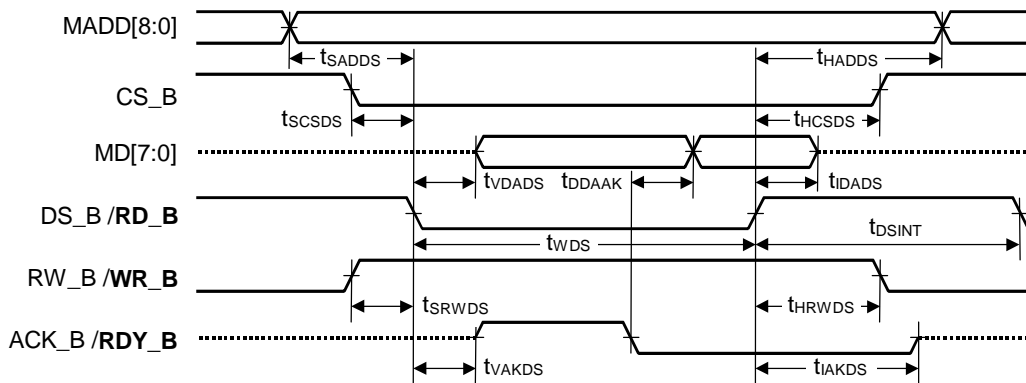
Parameter	Symbol	Conditions	MIN.	TYP.	MAX.	Unit
Address setting time (vs. DS_B↓[RD_B↓])	t _{SADDS}		10			ns
CS_B setting time (vs. DS_B↓[RD_B↓])	t _{SCSDS}		5			ns
R/W_B[WR_B] setting time (vs. DS_B↓[RD_B↓])	t _{SRWDS}		5			ns
Address hold time (vs. DS_B↑[RD_B↑])	t _{HADDS}		4			ns
CS_B hold time (vs. DS_B↑[RD_B↑])	t _{HCSDS}		0			ns
R/W_B[WR_B] hold time (vs. DS_B↑[RD_B↑])	t _{HRWDS}		0			ns
DS_B↓[RD_B↓] → ACK_B[RDY_B] output delay	t _{VAKDS}	Load capacitance: 30 pF			15	ns
DS_B↓[RD_B↓] → data output delay	t _{VDADS}	Load capacitance: 30 pF			25	ns
DS_B↑[RD_B↑] → ACK_B[RDY_B] float delay	t _{IAKDS}	Load capacitance: 30 pF	10		70	ns
DS_B↑[RD_B↑] → data float delay	t _{IDADS}	Load capacitance: 30 pF	15		70	ns
ACK_B↓ → data output delay	t _{DAAK}	Load capacitance: 30 pF			10	ns
DS_B[RD_B] pulse width	t _{WDS}		51.44			ns
DS_B ↑[RD_B↑] → DS_B ↓[RD_B↓] recovery time	t _{DSINT}		51.44			ns

t_{CLK} is the cycle of the TCLK.

(i) BMODE="0"



(ii) BMODE="1"

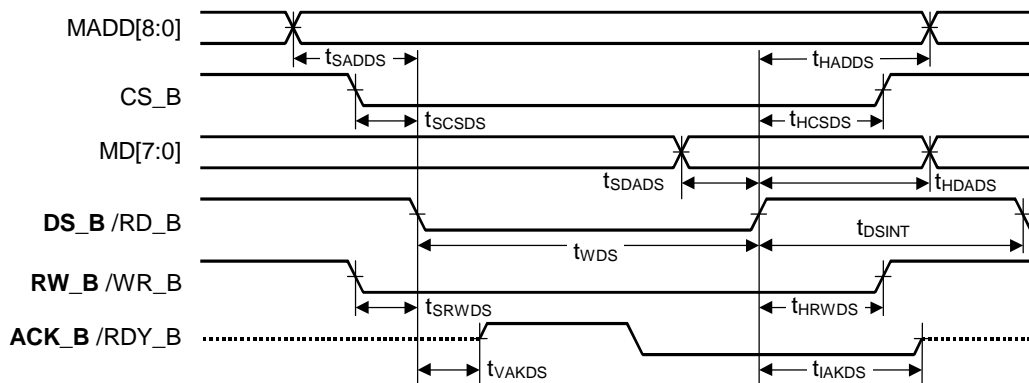


b) Internal Register Write

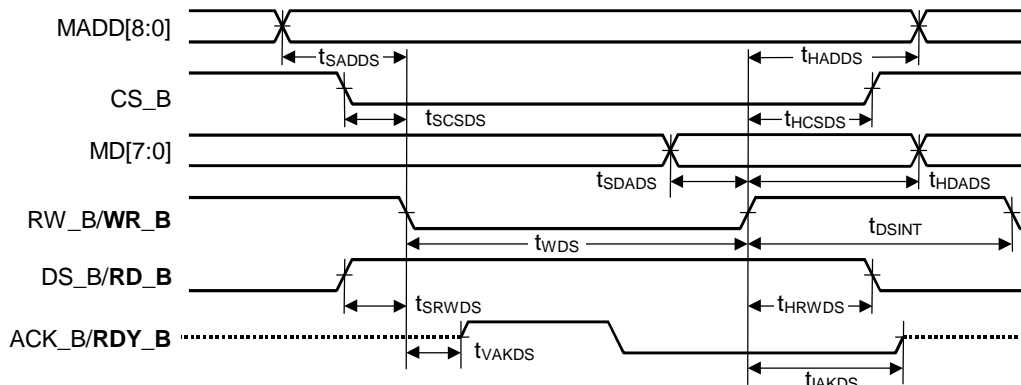
Parameter	Symbol	Conditions	MIN.	TYP.	MAX.	Unit
Address setting time (vs. DS_B↓[RD_B↓])	tSADDS		10			ns
CS_B setting time (vs. DS_B↓[WR_B↓])	tSCSDS		5			ns
R/W_B[RD_B] setting time (vs. DS_B↓[WR_B↓])	tSRWDS		5			ns
Data setting time (vs. DS_B↑[WR_B↑])	tSDADS		15			ns
Address hold time (vs. DS_B↑[WR_B↑])	tHADDS		4			ns
CS_B hold time (vs. DS_B↑[WR_B↑])	tHCSDS		0			ns
R/W_B[RD_B] hold time (vs. DS_B↑[WR_B↑])	tHRWDS		0			ns
Data hold time (vs. DS_B↑[WR_B↑])	tHDADS		4			ns
◆ DS_B↓[RD_B↓] → ACK_B[RDY_B] output delay	tVAKDS	Load capacitance: 30 pF			15	ns
◆ DS_B↑[RD_B↑] → ACK_B[RDY_B] float delay	tIAKDS	Load capacitance: 30 pF			10	ns
DS_B [RD_B] pulse width	tWDS		51.44			ns
DS_B ↑[RD_B↑] → DS_B ↓[RD_B↓] recovery time	tDSINT		51.44			ns

tCLK is the cycle of the TCLK.

(i) BMODE="0"

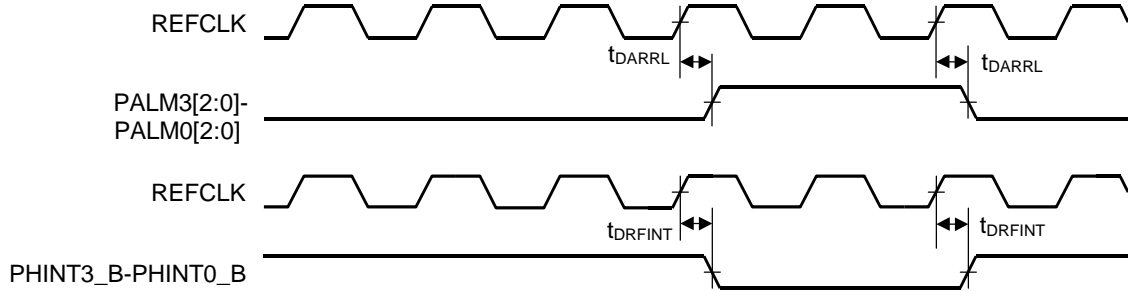


(ii) BMODE="1"



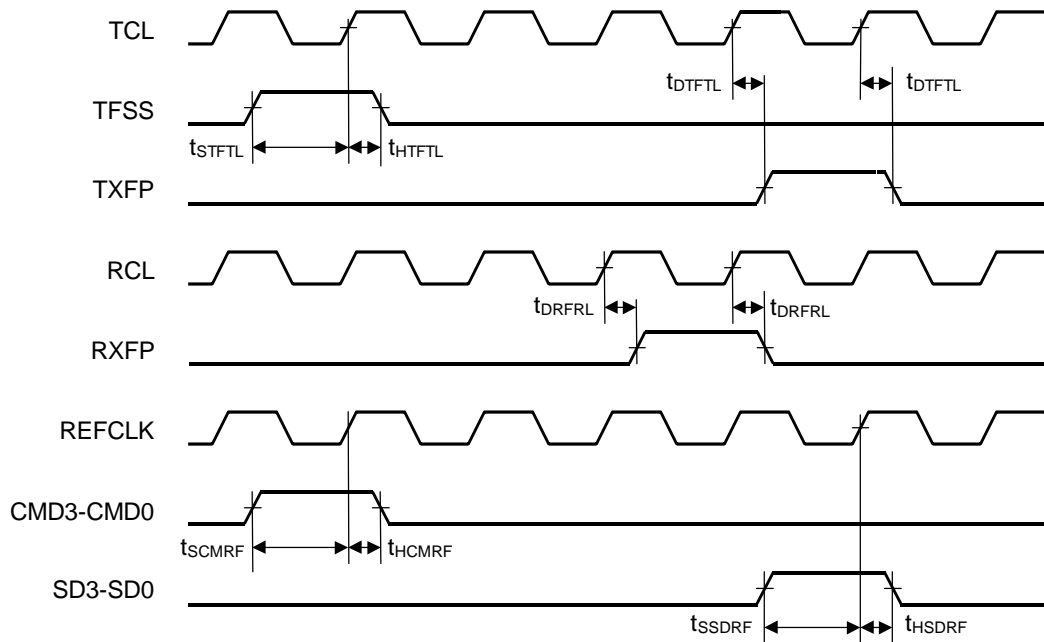
OAM Interface

Parameter	Symbol	Conditions	MIN.	TYP.	MAX.	Unit
REFCLK↑ → PALM3[2:0]-PALM0[2:0] delay	t_{DARRL}	Load capacitance: 30 pF			25	ns
REFCLK↑ → PHINT3- PHINT 0 delay	t_{DRFINT}				25	ns



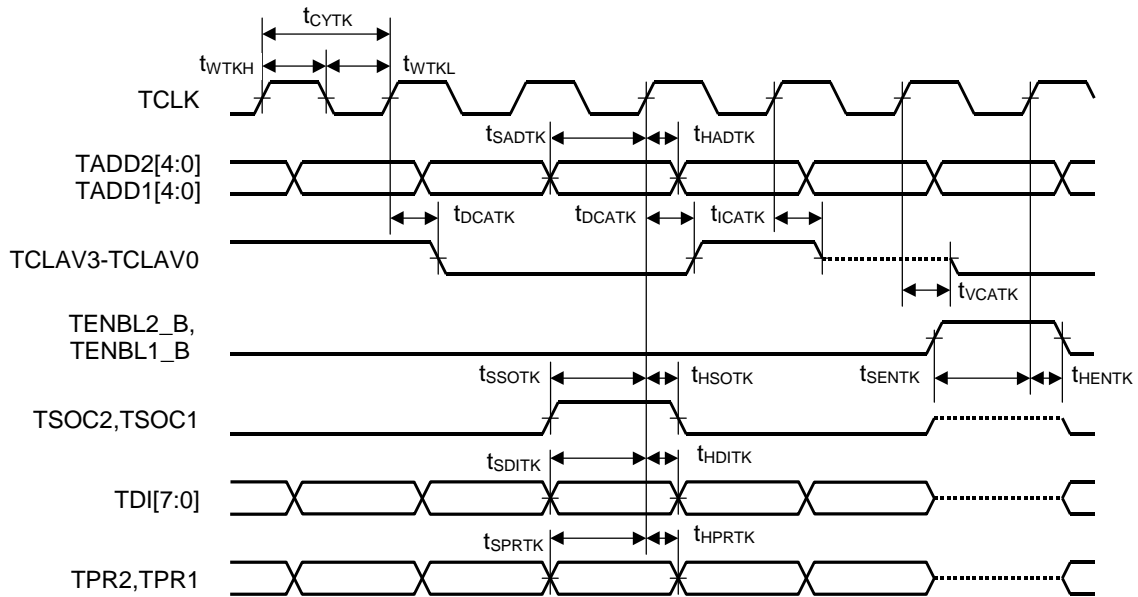
Control Signal Interface

Parameter	Symbol	Conditions	MIN.	TYP.	MAX.	Unit
TFSS setting time (vs. TCL↑)	t_{STFTL}		20			ns
TFSS hold time (vs. TCL↑)	t_{HTFTL}		5			ns
TCL↑ → TxFP delay	t_{DTFTL}	Load capacitance: 30 pF			25	ns
RCL↑ → RxFP delay	t_{DRFRL}	Load capacitance: 30 pF			25	ns
CMD setting time (vs. REFCLK)	t_{SCMRF}		20			ns
CMD hold time (vs. REFCLK)	t_{HCMRF}		5			ns
SD setting time (vs. REFCLK)	t_{SSDRF}		20			ns
SD hold time (vs. REFCLK)	t_{HSDRF}		5			ns



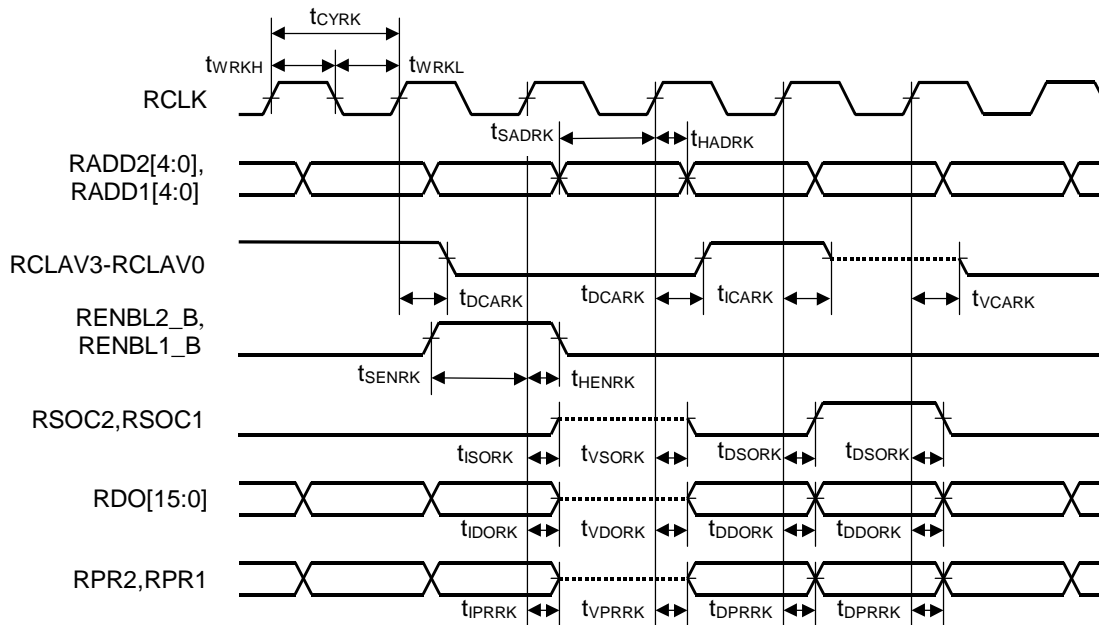
UTOPIA Interface (transmission side)

Parameter	Symbol	Conditions	MIN.	TYP.	MAX.	Unit
TCLK cycle time	t _{CYTK}		20		125	ns
TCLK high-level width	t _{WTKH}		0.4x t _{CYTK}		0.6x t _{CYTK}	ns
TCLK low-level width	t _{WTKL}		0.4x t _{CYTK}		0.6x t _{CYTK}	ns
♦ TCLK↑ → TCLAV↑↓ delay	t _{DCATK}	Load capacitance: 30 pF	1		14	ns
♦ TCLK↑ → TCLAV output delay	t _{VCATK}	Load capacitance: 30 pF	1		14	ns
♦ TCLK↑ → TCLAV data float delay	t _{ICATK}	Load capacitance: 30 pF	1		20	ns
TDI[0]-TDI[7] setting time (vs. TCLK↑)	t _{SDITK}		4			ns
TDI[0]-TDI[7] hold time (vs. TCLK↑)	t _{HDITK}		1			ns
TSOC setting time (vs. TCLK↑)	t _{SSOTK}		4			ns
TSOC hold time (vs. TCLK↑)	t _{HSOTK}		1			ns
TPR setting time (vs. TCLK↑)	t _{SPRTK}		4			ns
TPR hold time (vs. TCLK↑)	t _{HPRTK}		1			ns
TADD0- TADD 7 setup time (vs. TCLK↑)	t _{SADTK}		4			ns
TADD0- TADD7 hold time (vs. TCLK↑)	t _{HADTK}		1			ns
TENBL_B setting time (vs. TCLK↑)	t _{SENTK}		4			ns
TENBL_B hold time (vs. TCLK↑)	t _{HENTK}		1			ns



UTOPIA Interface (reception side)

Parameter	Symbol	Conditions	MIN.	TYP.	MAX.	Unit
RCLK cycle time	t _{CYRK}		20		125	ns
RCLK high-level width	t _{WRKH}		0.4xt _{CYRK}		0.6xt _{CYRK}	ns
RCLK low-level width	t _{WRKL}		0.4xt _{CYRK}		0.6xt _{CYRK}	ns
♦ RCLK↑ → RCLAV↑↓ delay	t _{DCARK}	Load capacitance: 30 pF	1		14	ns
♦ RCLK↑ → RCLAV output delay	t _{VCARK}	Load capacitance: 30 pF	1		14	ns
♦ RCLK↑ → RCLAV data float delay	t _{ICARK}	Load capacitance: 30 pF	1		20	ns
♦ RCLK↑ → RDO ↑↓ delay	t _{DDORK}	Load capacitance: 30 pF	1		14	ns
♦ RCLK↑ → RDO output delay	t _{VDORK}	Load capacitance: 30 pF	1		14	ns
♦ RCLK↑ → RDO data float delay	t _{IDORK}	Load capacitance: 30 pF	1		20	ns
♦ RCLK↑ → RSOC↑↓ delay	t _{DSORK}	Load capacitance: 30 pF	1		14	ns
♦ RCLK↑ → RSOC output delay	t _{VSORK}	Load capacitance: 30 pF	1		14	ns
♦ RCLK↑ → RSOC data float delay	t _{ISORK}	Load capacitance: 30 pF	1		20	ns
♦ RCLK↑ → RPR↑↓ delay	t _{DPRRK}	Load capacitance: 30 pF	1		14	ns
♦ RCLK↑ → RPR output delay	t _{VPRRK}	Load capacitance: 30 pF	1		14	ns
♦ RCLK↑ → RPR data float delay	t _{IPRRK}	Load capacitance: 30 pF	1		20	ns
RADD setting time (vs. RCLK↑)	t _{SADRK}		4			ns
RADD hold time (vs. RCLK↑)	t _{HADRK}		1			ns
RENBLB setting time (vs. RCLK↑)	t _{SENRK}		4			ns
RENBLB hold time (vs. RCLK↑)	t _{HENRK}		1			ns

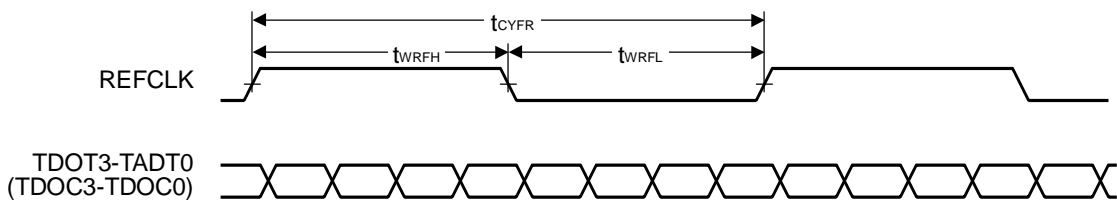


PMD Interface (transmission side)

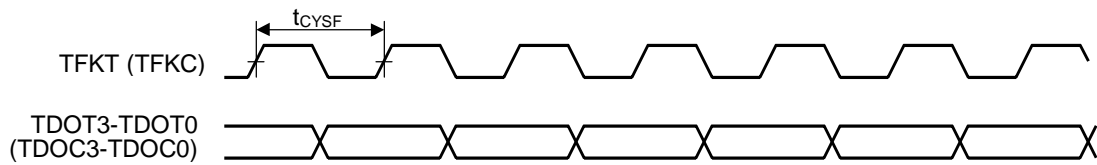
Parameter	Symbol	Conditions	MIN.	TYP.	MAX.	Unit
REFCLK cycle time ^{Note}	t _{CYRF}		-20ppm	51.4403	+20ppm	ns
REFCLK high-level width	t _{WRFH}		0.4xt _{CYRF}		0.6xt _{CYRF}	ns
REFCLK low-level width	t _{WRFL}		0.4xt _{CYRF}		0.6xt _{CYRF}	ns
TFKT(C) cycle time	t _{CYSF}		-0.005UI	6.43	+0.005UI	ns

Note To get the transmit source clock which is a jitter below 0.01UI, the basis signal which has at least equal or more than 40-ppm precision must be inputted.

(i) When using Clock Synthesizer

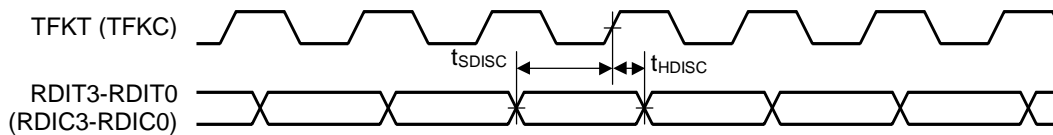


(ii) When using external serial clock



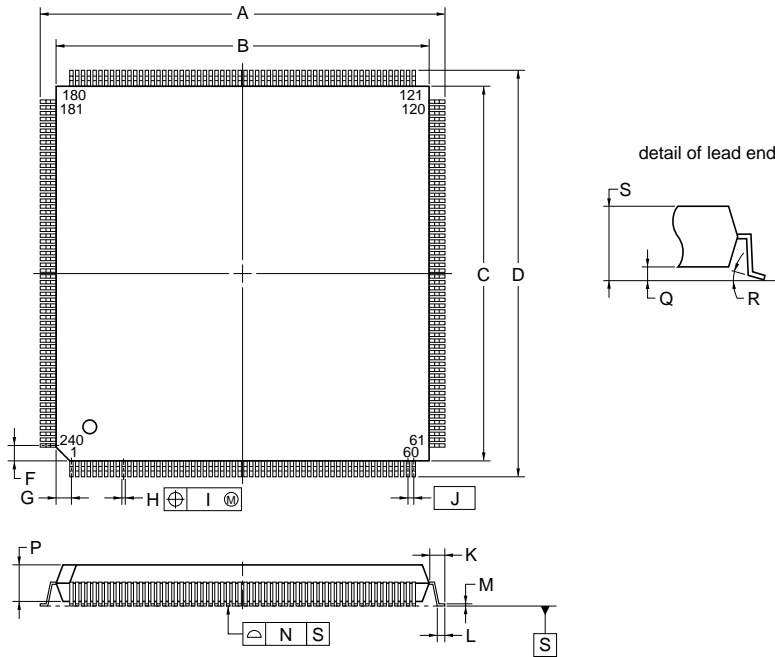
PMD Interface (reception side)

Parameter	Symbol	Conditions	MIN.	TYP.	MAX.	Unit
RDIT(C) setting time (vs. TFKT(C))	t _{SDISC}	When using external PLL	1.0			ns
RDIT(C) hold time (vs. TFKT(C))	t _{HDISC}	When using external PLL	4.0			ns



3. PACKAGE DRAWING

240-PIN PLASTIC QFP (FINE PITCH) (32x32)



NOTE
 Each lead centerline is located within 0.10 mm of its true position (T.P.) at maximum material condition.

ITEM	MILLIMETERS
A	34.6±0.2
B	32.0±0.2
C	32.0±0.2
D	34.6±0.2
F	1.25
G	1.25
H	0.22 ^{+0.05} _{-0.04}
I	0.10
J	0.5 (T.P.)
K	1.3±0.2
L	0.5±0.2
M	0.17 ^{+0.03} _{-0.07}
N	0.10
P	3.2±0.1
Q	0.4±0.1
R	3 ⁺⁷ ₋₃
S	3.8 MAX.

P240GN-50-LMU, MMU, SMU-4

4. RECOMMENDED SOLDERING CONDITIONS

The conditions listed below shall be met when soldering this product.

For more details, refer to our document “Semiconductor Device Mounting Technology Manual (C10535E)”.

Please consult with our sales offices in case other soldering process is used, or in case the soldering is done under different conditions.

Surface-mount devices

•μPD98411GN-MMU: 240-pin plastic QFP (fine pitch) (32 x 32 mm)

Soldering process	Soldering conditions	Symbol
Infrared ray reflow	Peak package’s surface temperature :235° C or below, Reflow time : 30 seconds or below (210 °C or higher), Number of reflow profess : 1, Exposure limit ^{Note} :3 days (36 hours pre-backing is required at 125C° afterwards)	IR35-363-1
Partial heating method	Terminal temperature :300 °C or below, Flow time : 3 seconds or below (Per one side of the device).	--

Note Exposure limit before soldering after dry-pack package is opened.

Storage conditions: 25 °C and relative humidity at 65% or less.

NOTES FOR CMOS DEVICES

① PRECAUTION AGAINST ESD FOR SEMICONDUCTORS

Note: Strong electric field, when exposed to a MOS device, can cause destruction of the gate oxide and ultimately degrade the device operation. Steps must be taken to stop generation of static electricity as much as possible, and quickly dissipate it once, when it has occurred. Environmental control must be adequate. When it is dry, humidifier should be used. It is recommended to avoid using insulators that easily build static electricity. Semiconductor devices must be stored and transported in an anti-static container, static shielding bag or conductive material. All test and measurement tools including work bench and floor should be grounded. The operator should be grounded using wrist strap. Semiconductor devices must not be touched with bare hands. Similar precautions need to be taken for PW boards with semiconductor devices on it.

② HANDLING OF UNUSED INPUT PINS FOR CMOS

Note: No connection for CMOS device inputs can be cause of malfunction. If no connection is provided to the input pins, it is possible that an internal input level may be generated due to noise, etc., hence causing malfunction. CMOS devices behave differently than Bipolar or NMOS devices. Input levels of CMOS devices must be fixed high or low by using a pull-up or pull-down circuitry. Each unused pin should be connected to V_{DD} or GND with a resistor, if it is considered to have a possibility of being an output pin. All handling related to the unused pins must be judged device by device and related specifications governing the devices.

③ STATUS BEFORE INITIALIZATION OF MOS DEVICES

Note: Power-on does not necessarily define initial status of MOS device. Production process of MOS does not define the initial operation status of the device. Immediately after the power source is turned ON, the devices with reset function have not yet been initialized. Hence, power-on does not guarantee out-pin levels, I/O settings or contents of registers. Device is not initialized until the reset signal is received. Reset operation must be executed immediately after power-on for devices having reset function.

NEASCOT-P40 is a trademark of NEC corporation.

The export of this product from Japan is prohibited without governmental license. To export or re-export this product from a country other than Japan may also be prohibited without a license from that country. Please call an NEC sales representative.

- **The information in this document is subject to change without notice. Before using this document, please confirm that this is the latest version.**
 - No part of this document may be copied or reproduced in any form or by any means without the prior written consent of NEC Corporation. NEC Corporation assumes no responsibility for any errors which may appear in this document.
 - NEC Corporation does not assume any liability for infringement of patents, copyrights or other intellectual property rights of third parties by or arising from use of a device described herein or any other liability arising from use of such device. No license, either express, implied or otherwise, is granted under any patents, copyrights or other intellectual property rights of NEC Corporation or others.
 - Descriptions of circuits, software, and other related information in this document are provided for illustrative purposes in semiconductor product operation and application examples. The incorporation of these circuits, software, and information in the design of the customer's equipment shall be done under the full responsibility of the customer. NEC Corporation assumes no responsibility for any losses incurred by the customer or third parties arising from the use of these circuits, software, and information.
 - While NEC Corporation has been making continuous effort to enhance the reliability of its semiconductor devices, the possibility of defects cannot be eliminated entirely. To minimize risks of damage or injury to persons or property arising from a defect in an NEC semiconductor device, customers must incorporate sufficient safety measures in its design, such as redundancy, fire-containment, and anti-failure features.
 - NEC devices are classified into the following three quality grades:
"Standard", "Special", and "Specific". The Specific quality grade applies only to devices developed based on a customer designated "quality assurance program" for a specific application. The recommended applications of a device depend on its quality grade, as indicated below. Customers must check the quality grade of each device before using it in a particular application.
 - Standard: Computers, office equipment, communications equipment, test and measurement equipment, audio and visual equipment, home electronic appliances, machine tools, personal electronic equipment and industrial robots
 - Special: Transportation equipment (automobiles, trains, ships, etc.), traffic control systems, anti-disaster systems, anti-crime systems, safety equipment and medical equipment (not specifically designed for life support)
 - Specific: Aircraft, aerospace equipment, submersible repeaters, nuclear reactor control systems, life support systems or medical equipment for life support, etc.
- The quality grade of NEC devices is "Standard" unless otherwise specified in NEC's Data Sheets or Data Books. If customers intend to use NEC devices for applications other than those specified for Standard quality grade, they should contact an NEC sales representative in advance.