

TOSHIBA PHOTOCOUPLER GaAlAs IRED & PHOTO-IC

TLP2200

- ISOLATED BUSS DRIVER
- HIGH SPEED LINE RECEIVER
- MICROPROCESSOR SYSTEM INTERFACES
- MOS FET GATE DRIVER
- DIRECT REPLACEMENT FOR HCPL-2200

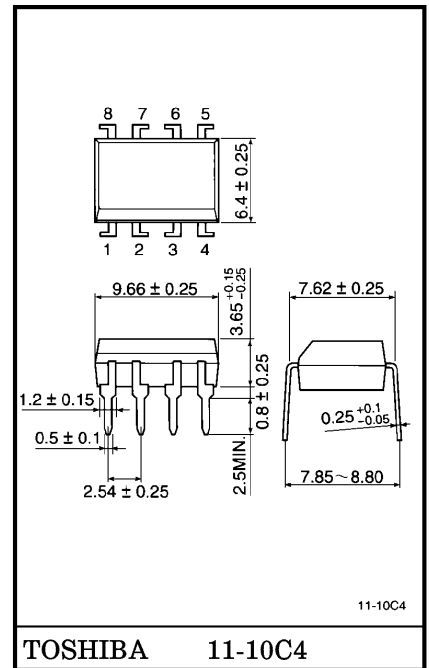
The Toshiba TLP2200 consists of a GaAlAs light emitting diode and integrated high gain, high speed photodetector. This unit is 8-lead DIP package. The detector has a three state output stage that eliminates the need for pull-up resistor, and built-in Schmitt trigger. The detector IC has an internal shield that provides a guaranteed common mode transient immunity of 1000V/μs.

- Input Current : $I_F = 1.6\text{mA}$
- Power Supply Voltage : $V_{CC} = 4.5 \sim 20\text{V}$
- Switching Speed : 2.5MBd Guaranteed
- Common Mode Transient Immunity : $\pm 1000\text{V} / \mu\text{s}$ (Min.)
- Guaranteed Performance Over Temp : $0 \sim 85^\circ\text{C}$
- Isolation Voltage : 2500Vrms (Min.)
- UL Recognized : UL1577, File No. E67349

TRUTH TABLE (Positive logic)

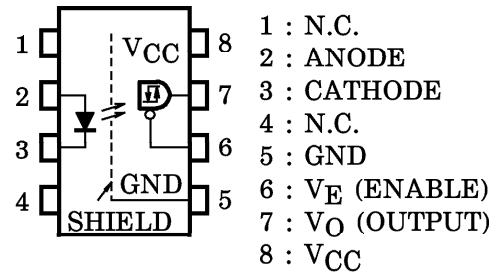
INPUT	ENABLE	OUTPUT
H	H	Z
L	H	Z
H	L	H
L	L	L

Unit in mm

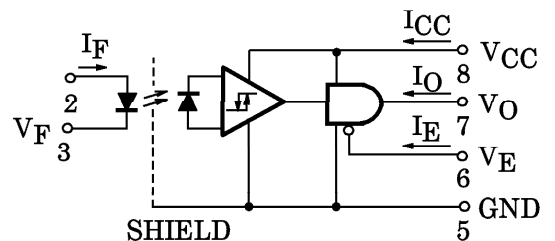


Weight : 0.54g

PIN CONFIGURATION (Top view)



SCHEMATIC



RECOMMENDED OPERATING CONDITIONS

CHARACTERISTIC	SYMBOL	MIN.	TYP.	MAX.	UNIT
Input Current, ON	I_F (ON)	1.6	—	5	mA
Input Current, OFF	I_F (OFF)	0	—	0.1	mA
Supply Voltage	V_{CC}	4.5	—	20	V
Enable Voltage High	V_{EH}	2.0	—	20	V
Enable Voltage Low	V_{EL}	0	—	0.8	V
Fan Out (TTL Load)	N	—	—	4	—
Operating Temperature	T_{opr}	0	—	85	°C

ABSOLUTE MAXIMUM RATINGS (No derating required up to 70°C)

CHARACTERISTIC		SYMBOL	RATING	UNIT
LED	Forward Current	I_F	10	mA
	Peak Transient Forward Current (Note 1)	I_{FPT}	1	A
	Reverse Voltage	V_R	5	V
DETECTOR	Output Current	I_O	25	mA
	Supply Voltage	V_{CC}	-0.5~20	V
	Output Voltage	V_O	-0.5~20	V
	Three State Enable Voltage	V_E	-0.5~20	V
	Total Package Power Dissipation (Note 2)	P_T	210	mW
	Operating Temperature Range	T_{opr}	-40~85	°C
	Storage Temperature Range	T_{stg}	-55~125	°C
Lead Solder Temperature (10s) (**)	T_{sol}	260	°C	
Isolation Voltage (AC 1min., R.H. \leq 60%, $T_a=25^\circ\text{C}$) (Note 3)	BVS	2500	V_{rms}	

(Note 1) Pulse width $1\mu\text{s}$ 300pps.

(Note 2) Derate $4.5\text{mW}/^\circ\text{C}$ above 70°C ambient temperature.

(Note 3) Device considered a two terminal device : pins 1, 2, 3 and 4 shorted together, and pins 5, 6, 7 and 8 shorted together

(**) 1.6mm below seating plane.

ELECTRICAL CHARACTERISTICS (Unless otherwise specified, $T_a = 0 \sim 85^\circ\text{C}$, $V_{CC} = 4.5 \sim 20\text{V}$,
 $I_F(\text{ON}) = 1.6 \sim 5\text{mA}$, $I_F(\text{OFF}) = 0 \sim 0.1\text{mA}$, $V_{EL} = 0 \sim 0.8\text{V}$, $V_{EH} = 2.0 \sim 20\text{V}$)

CHARACTERISTIC	SYMBOL	TEST CONDITION		MIN.	TYP.*	MAX.	UNIT
Output Leakage Current ($V_O > V_{CC}$)	I_{OHH}	$I_F = 5\text{mA}$, $V_{CC} = 4.5\text{V}$	$V_O = 5.5\text{V}$	—	—	100	μA
			$V_O = 20\text{V}$	—	2	500	
Logic Low Output Voltage	V_{OL}	$I_{OL} = 6.4\text{mA}$ (4 TTL load)		—	0.32	0.5	V
Logic High Output Voltage	V_{OH}	$I_{OH} = -2.6\text{mA}$		2.4	3.4	—	V
Logic Low Enable Current	I_{EL}	$V_E = 0.4\text{V}$		—	-0.13	-0.32	mA
Logic High Enable Current	I_{EH}	$V_E = 2.7\text{V}$		—	—	20	μA
		$V_E = 5.5\text{V}$		—	—	100	
		$V_E = 20\text{V}$		—	0.01	250	
Logic Low Enable Voltage	V_{EL}	—		—	—	0.8	V
Logic High Enable Voltage	V_{EH}	—		2.0	—	—	V
Logic Low Supply Current	I_{CCL}	$I_F = 0\text{mA}$ $V_E = \text{Don't care}$	$V_{CC} = 5.5\text{V}$	—	5	6.0	mA
			$V_{CC} = 20\text{V}$	—	5.6	7.5	
Logic High Supply Current	I_{CCH}	$I_F = 5\text{mA}$ $V_E = \text{Don't care}$	$V_{CC} = 5.5\text{V}$	—	2.5	4.5	mA
			$V_{CC} = 20\text{V}$	—	2.8	6.0	
High Impedance State Output Current	I_{OZL}	$I_F = 5\text{mA}$ $V_E = 2\text{V}$	$V_O = 0.4\text{V}$	—	1	-20	μA
			$V_O = 2.4\text{V}$	—	—	20	
	I_{OZH}	$I_F = 0\text{mA}$ $V_E = 2\text{V}$	$V_O = 5.5\text{V}$	—	—	100	
			$V_O = 20\text{V}$	—	0.01	500	
Logic Low Short Circuit Output Current (Note 4)	I_{OSL}	$I_F = 0\text{mA}$	$V_O = V_{CC} = 5.5\text{V}$	25	55	—	mA
			$V_O = V_{CC} = 20\text{V}$	40	80	—	
Logic High Short Circuit Output Current (Note 4)	I_{OSH}	$I_F = 5\text{mA}$ $V_O = \text{GND}$	$V_{CC} = 5.5\text{V}$	-10	-25	—	mA
			$V_{CC} = 20\text{V}$	-25	-60	—	
Input Current Hysteresis	I_{HYS}	$V_{CC} = 5\text{V}$		—	0.05	—	mA
Input Forward Voltage	V_F	$I_F = 5\text{mA}$, $T_a = 25^\circ\text{C}$		—	1.55	1.7	V
Temperature Coefficient of Forward Voltage	$\Delta V_F / \Delta T_a$	$I_F = 5\text{mA}$		—	-2.0	—	mV/°C
Input Reverse Breakdown Voltage	BV_R	$I_R = 10\mu\text{A}$, $T_a = 25^\circ\text{C}$		5	—	—	V
Input Capacitance	C_{IN}	$V_F = 0\text{V}$, $f = 1\text{MHz}$, $T_a = 25^\circ\text{C}$		—	45	—	pF
Resistance (Input-Output)	R_{I-O}	$V_{I-O} = 500\text{V}$ R.H. $\leq 60\%$ (Note 3)		5×10^{10}	10^{14}	—	Ω
Capacitance (Input-Output)	C_{I-O}	$V_{I-O} = 0\text{V}$, $f = 1\text{MHz}$ (Note 3)		—	0.6	—	pF

(**) All typ. values are at $T_a = 25^\circ\text{C}$, $V_{CC} = 5\text{V}$, $I_F(\text{ON}) = 3\text{mA}$ unless otherwise specified.

SWITCHING CHARACTERISTICS

(Unless otherwise specified, $T_a = 0 \sim 85^\circ\text{C}$, $V_{CC} = 4.5 \sim 20\text{V}$, $I_F(\text{ON}) = 1.6 \sim 5\text{mA}$, $I_F(\text{OFF}) = 0 \sim 0.1\text{mA}$)

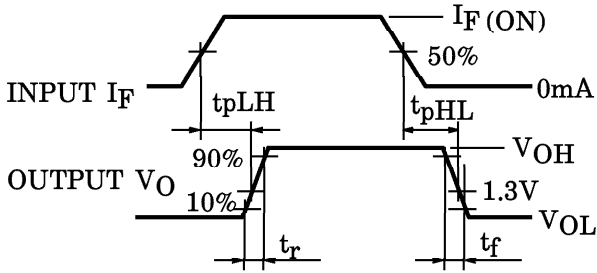
CHARACTERISTIC	SYMBOL	TEST CIRCUIT	TEST CONDITION	MIN.	TYP.	MAX.	UNIT
Propagation Delay Time to Logic High Output Level (Note 5)	t_{pLH}	1	Without peaking capacitor C_1	—	235	—	ns
			With peaking capacitor C_1	—	—	400	
Propagation Delay Time to Logic Low Output Level (Note 5)	t_{pHL}		Without peaking capacitor C_1	—	250	—	ns
			With peaking capacitor C_1	—	—	400	
Output Rise Time (10-90%)	t_r			—	35	—	ns
Output Fall Time (90-10%)	t_f			—	20	—	ns
Output Enable Time to Logic High	t_{pZH}		2	—	—	—	ns
Output Enable Time to Logic Low	t_{pZL}			—	—	—	ns
Output Disable Time from Logic High	t_{pHZ}	—		—	—	ns	
Output Disable Time from Logic Low	t_{pLZ}	—		—	—	ns	
Common Mode Transient Immunity at Logic High Output (Note 6)	CM_H	3	$I_F = 1.6\text{mA}$, $V_{CM} = 50\text{V}$, $T_a = 25^\circ\text{C}$	-1000	—	—	$\text{V} / \mu\text{s}$
Common Mode Transient Immunity at Logic Low Output (Note 6)	CM_L		$I_F = 0\text{mA}$, $V_{CM} = 50\text{V}$, $T_a = 25^\circ\text{C}$	1000	—	—	$\text{V} / \mu\text{s}$

(*) ALL Typ. values are at $T_a = 25^\circ\text{C}$, $V_{CC} = 5\text{V}$, $I_F(\text{ON}) = 3\text{mA}$ unless otherwise specified.

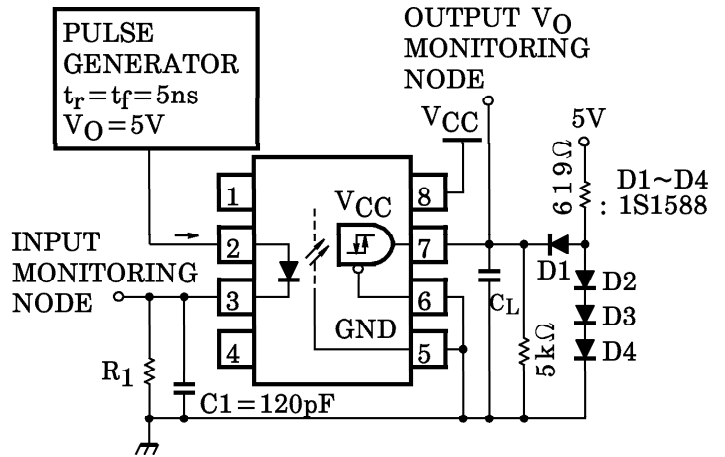
(Note 4) Duration of output short circuit time should not exceed 10ms.

(Note 5) The t_{pLH} propagation delay is measured from the 50% point on the leading edge of the input pulse to the 1.3V point on the leading edge of the output pulse.
The t_{pHL} propagation delay is measured from the 50% point on the trailing edge of the input pulse to the 1.3V point on the trailing edge of the output pulse.(Note 6) CM_L is the maximum rate of rise of the common mode voltage that can be sustained with the output voltage in the logic low state ($V_O \leq 0.8\text{V}$).
 CM_H is the maximum rate of fall of the common mode voltage that can be sustained with the output voltage in the logic high state ($V_O \leq 2.0\text{V}$).

TEST CIRCUIT 1 t_{pHL} , t_{pLH} , t_r and t_f



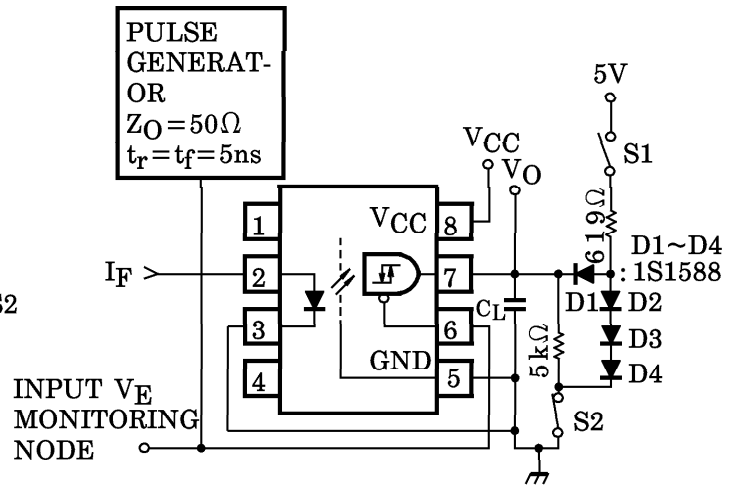
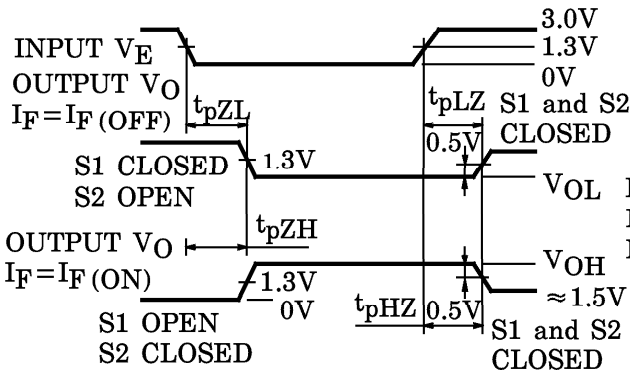
R_1	2.15k Ω	1.1k Ω	681 Ω
I_F (ON)	1.6mA	3mA	5mA



C_1 is peaking capacitor. The probe and jig capacitances are include in C_1 .

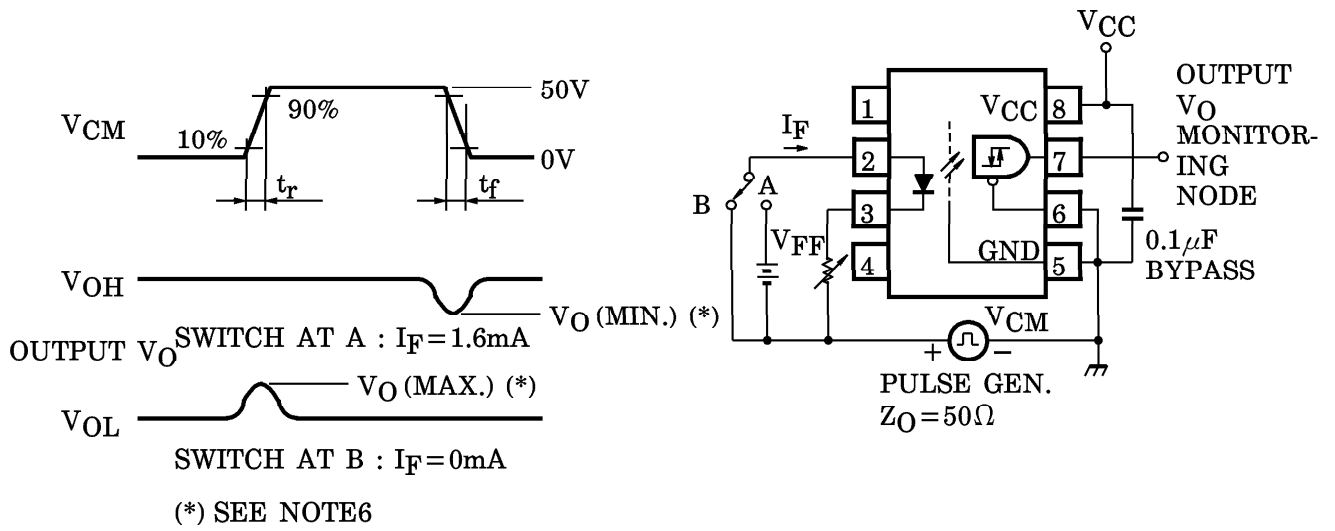
C_L is approximately 15pF which includes probe and stray wiring capacitance.

TEST CIRCUIT 2 t_{pHZ} , t_{pZH} , t_{pLZ} and t_{pZL}



C_L is approximately 15pF which includes probe and stray wiring capacitance.

TEST CIRCUIT 3 Common mode transient immunity



RESTRICTIONS ON PRODUCT USE

000707EBC

- TOSHIBA is continually working to improve the quality and reliability of its products. Nevertheless, semiconductor devices in general can malfunction or fail due to their inherent electrical sensitivity and vulnerability to physical stress. It is the responsibility of the buyer, when utilizing TOSHIBA products, to comply with the standards of safety in making a safe design for the entire system, and to avoid situations in which a malfunction or failure of such TOSHIBA products could cause loss of human life, bodily injury or damage to property. In developing your designs, please ensure that TOSHIBA products are used within specified operating ranges as set forth in the most recent TOSHIBA products specifications. Also, please keep in mind the precautions and conditions set forth in the "Handling Guide for Semiconductor Devices," or "TOSHIBA Semiconductor Reliability Handbook" etc..
- The TOSHIBA products listed in this document are intended for usage in general electronics applications (computer, personal equipment, office equipment, measuring equipment, industrial robotics, domestic appliances, etc.). These TOSHIBA products are neither intended nor warranted for usage in equipment that requires extraordinarily high quality and/or reliability or a malfunction or failure of which may cause loss of human life or bodily injury ("Unintended Usage"). Unintended Usage include atomic energy control instruments, airplane or spaceship instruments, transportation instruments, traffic signal instruments, combustion control instruments, medical instruments, all types of safety devices, etc.. Unintended Usage of TOSHIBA products listed in this document shall be made at the customer's own risk.
- Gallium arsenide (GaAs) is a substance used in the products described in this document. GaAs dust and fumes are toxic. Do not break, cut or pulverize the product, or use chemicals to dissolve them. When disposing of the products, follow the appropriate regulations. Do not dispose of the products with other industrial waste or with domestic garbage.
- The products described in this document are subject to the foreign exchange and foreign trade laws.
- The information contained herein is presented only as a guide for the applications of our products. No responsibility is assumed by TOSHIBA CORPORATION for any infringements of intellectual property or other rights of the third parties which may result from its use. No license is granted by implication or otherwise under any intellectual property or other rights of TOSHIBA CORPORATION or others.
- The information contained herein is subject to change without notice.