

## BCM2035 BLUETOOTH SINGLE-CHIP HCI SOLUTION

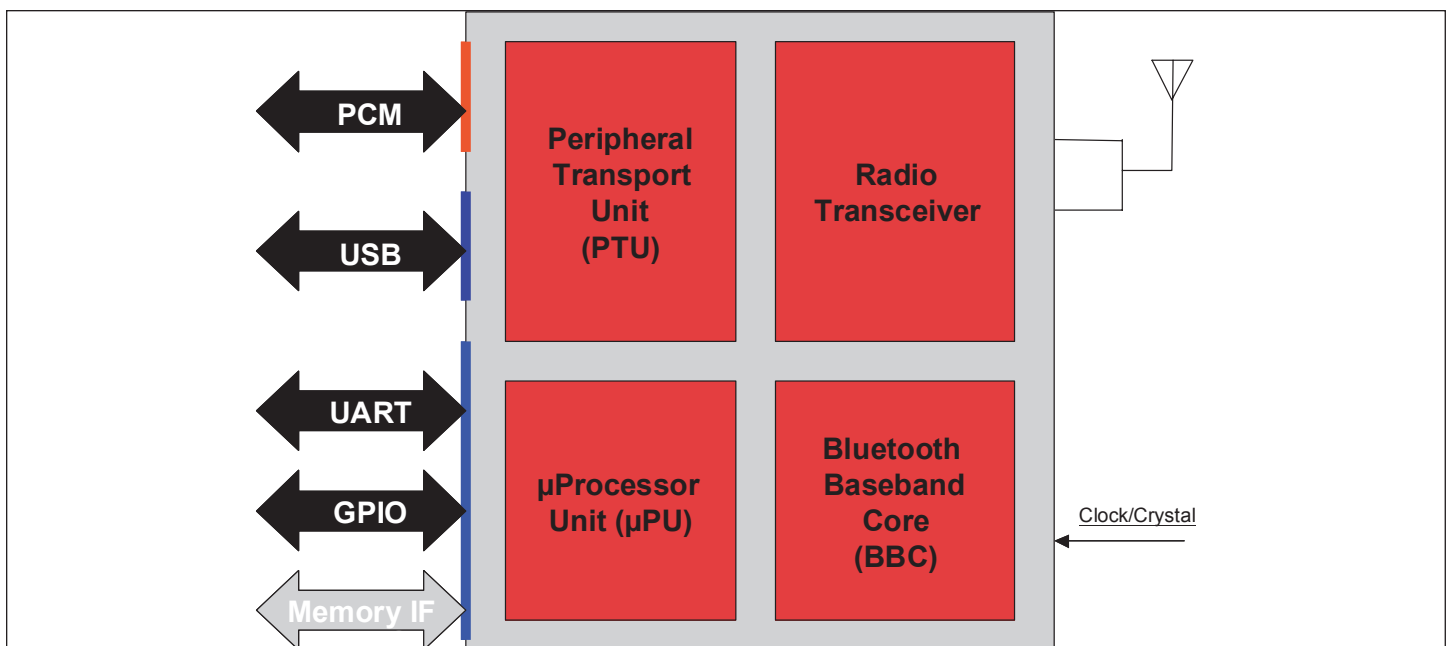
### BCM2035 FEATURES

- Highest available BT radio performance of any single-chip solution
  - -90 dBm sensitivity
  - Programmable up to +7 dBm output power
- A true single-chip solution
  - Eliminates external flash memory and active components
- World's smallest Bluetooth™ solution
- Low power consumption in both sleep modes and active operational modes
- Supports UART, USB, and PCM interfaces
- Bluetooth specification version 1.1 compliant supports class 2 and 3 applications
- Fractional-N frequency synthesizer supports any crystal or TCXO source from 12 to 40 MHz
- Automatic calibration and frequency detection of crystal frequency
- Upgradeable to support Bluetooth 1.2 features including adaptive frequency hopping, fast connection, etc.

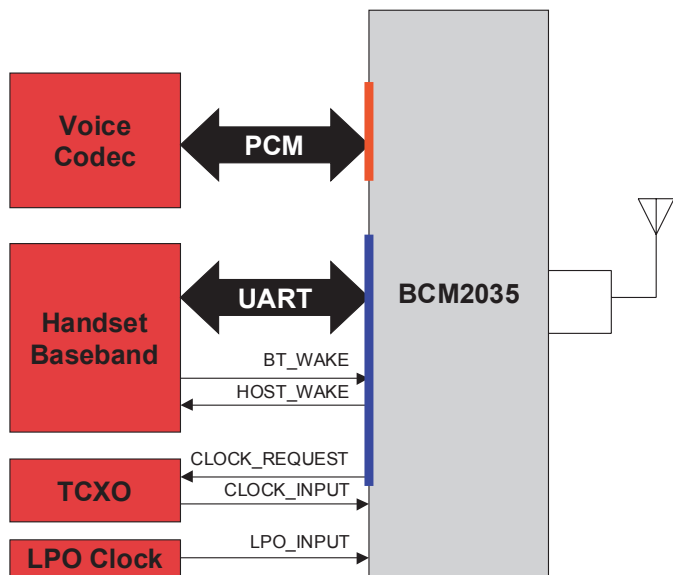
### SUMMARY OF BENEFITS

- Maximizes range and simplifies system integration by providing exceptional output power and receiver sensitivity
- Achieves smallest board area requirements by minimal external BOM and smallest package size available today
- ROM based solution with flexible code patching ensures fast integration
- Proven performance over industrial temperature ranges
- Applications
  - Cellular and mobile communication devices
  - PDA and low-power embedded communication devices
  - PC and integration on PC mother board applications
  - Automotive and industrial applications
- On chip voltage regulator lowers BOM requirements and provides additional power savings capability
- Package types available
  - 100-pin fpBGA package (9-mm × 9-mm)
  - 104-pin fpBGA package (7-mm x 7-mm)
  - 71-pin LCSP package (5-mm x 6-mm)
  - 95-pin WSCSP package (4-mm x 5-mm)

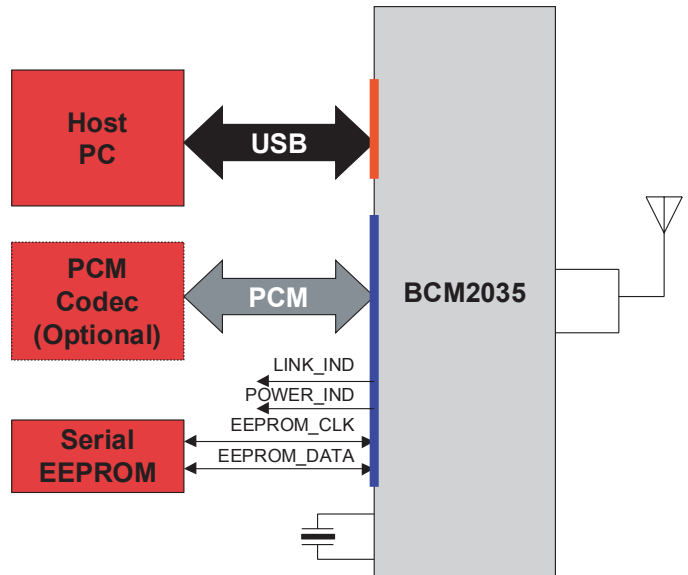
**BCM2035 Functional Block Diagram**



**BCM2035 Mobile Phone Usage Model**



**BCM2035 PC Product Usage Model**



The Broadcom **BCM2035** is a monolithic single-chip, stand-alone baseband processor with an integrated 2.4-GHz transceiver for Bluetooth 1.1 and 1.2 applications. It eliminates the need for external flash memories and active components by integrating critical components into the device, thus minimizing the footprint and system cost of implementing a Bluetooth system.

The **BCM2035** is the optimal solution for any voice and/or data applications that requires the Bluetooth SIG standard Host Controller Interface (HCI) via either USB or UART and PCM audio interfaces. The BCM2035 is based on the production and UnPlugFest proven architecture of the BCM2033 Bluetooth baseband core (BBC), peripheral transport unit (PTU), and microprocessor unit ( $\mu$ PU). The  $\mu$ PU stores the lower level protocol stack in read-only memory (ROM) plus patch random access memory (RAM) to provide the maximum flexibility.

The **BCM2035** radio transceiver provides enhanced radio performance to meet the most stringent industrial temperature applications or the tightest integration into mobile handsets and portable devices.

The two usage modules show how the **BCM2035** can be used in both USB and UART typical applications.

**Broadcom**<sup>®</sup>, the pulse logo and **Connecting everything**<sup>®</sup> are trademarks of Broadcom Corporation and/or its subsidiaries in the United States and certain other countries. **Bluetooth**<sup>™</sup> is a trademark owned by Telefonaktiebolaget LM Ericsson AB and licensed to participants in the Bluetooth Special Interest Group (SIG) in the United States and certain other countries. All other trademarks are the property of their respective owners.

Connecting  
**everything**<sup>®</sup>



**BROADCOM CORPORATION**  
16215 Alton Parkway, P.O. Box 57013  
Irvine, California 92619-7013

© 2003 by BROADCOM CORPORATION. All rights reserved.  
2035-PB01-R 05-29-03

Phone: 949-450-8700  
FAX: 949-450-8710  
Email: [info@broadcom.com](mailto:info@broadcom.com)  
Web: [www.broadcom.com](http://www.broadcom.com)